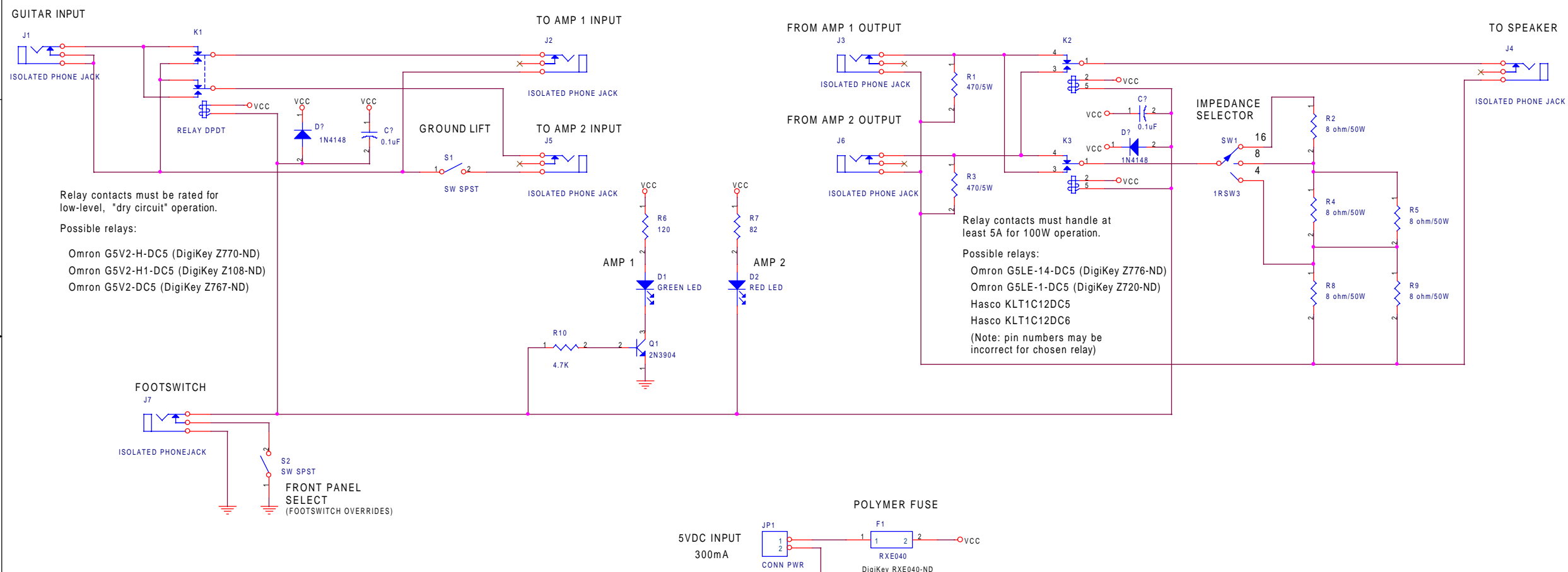


REV:	1	Initial design: R. Aiken
B		Added relay snubbers
C		Removed 5V regulator

Note: the input switcher section can be eliminated if desired, and the inputs of the two amplifiers can be connected with a "Y" cord, but the dummy load resistors in the output section will dissipate the entire power of the "off" amplifier.



Notes:

- (1) Input section and speaker-level sections must be physically isolated from each other, preferably with a grounded metal shield running between them.
- (2) Suggest using a "wall-wart" 5VDC supply, such as the Cui Stack DPR050030-P-6 available from DigiKey as part number T309-ND (\$10.00 - <http://www.digikey.com>).
- (3) Both amplifiers MUST have their third prong AC cord safety ground pins intact, with the chassis properly grounded. Do not use this device with older two-prong type amplifiers, or amplifiers with a "polarity" switch.
- (4) Speaker and input jacks MUST be isolated from the metal chassis for proper operation and ground loop prevention.
- (5) All "VCC" points connect together, and all "ground" symbols connect together.
- (6) Use this device at your own risk! There is a chance of damaging a tube amplifier if the load is disconnected while playing. No guarantee of any kind is made as to the suitability of this device for any production amplifier. Aiken Amplification assumes no responsibility if you damage your amplifier through the use of this device!

This circuit may be built for personal use only. This document may not be copied, distributed, or reproduced in any form, and this circuit may not be used in any commercial products without the express written consent of Aiken Amplification.

<b>AIKEN AMPLIFICATION</b>		
Duluth, GA		
TEL: 770-279-2492		
FAX: 770-279-9189		
		<a href="http://www.aikenamps.com">http://www.aikenamps.com</a>
Title The HeadSwitch: Amplifier Routing Switcher		
Size	Document Number	Rev C
Date:	Tuesday, December 14, 1999	Sheet 1 of 1