

# Clause Types

Matthew S. Dryer

- 0. Introduction
  - 1. Nonverbal predicates
    - 1.1. Types of copulas
    - 1.2. Adjectival predicates
    - 1.3. Nominal predicates
    - 1.4. Equational clauses vs. clauses with true nominal predicates
    - 1.5. Optional copulas
    - 1.6. Locative predicates / Existential clauses
      - 1.6.1. Locative copulas
      - 1.6.2. Existential clauses
      - 1.6.3. Existential clauses for expressing predicate possession
      - 1.6.4. Other types of existential clauses
    - 1.7. Minor types of clauses with nonverbal predicates
  - 2. Verbal predicates
    - 2.1. Transitive vs. intransitive clauses
    - 2.2. Ergative vs. accusative patterns
    - 2.3. Ditransitive clauses
    - 2.4. Subtypes of intransitive clauses
      - 2.4.1. Stative vs. nonstative clauses
      - 2.4.2. Split intransitivity
      - 2.4.3. Zero-intransitive (or ambient) clauses
    - 2.5. Semi-transitive clauses
    - 2.6. Clauses with derived verbs
- Suggestions for Further Reading

## 0. Introduction

There are at least four senses in which one can talk about clause or sentence types in a language. One way is in terms of the distinction between declarative, interrogative, and imperative sentences. This distinction, really one of sentence type, is discussed elsewhere in this anthology, in Chapter I.5 on Speech Act Distinctions in Syntax. A second sense of clause type is represented by the distinction between main clause and subordinate clause, and among different types of subordinate clauses. Issues related to this sense are discussed in the chapters on subordination, such as Chapter II.2 on Complementation and Chapter II.3 on Relative Clauses. A third sense of clause type concerns the way the same event or situation can be spoken about, from different perspectives, with grammatical consequences such as voice and pragmatic consequences such as topic and focus. This kind of variation is discussed in Chapter I.8 on Information Packaging in the Clause. The fourth sense, the one discussed in this chapter, involves different types of clauses in terms of their internal structure, primarily surrounding different types of predicates. Here, the most basic distinction is between verbal and nonverbal predicates. In much of this chapter, differences in clause type hinge on the part of speech of words serving in predicates, to which Chapter I.1 on Word Classes is relevant. Among clauses with verbal predicates, we can make further distinctions based on the argument structure of the verb, including the distinction between transitive and intransitive clauses and finer distinctions. These are discussed in

section 2 below. We first examine, in section 1, different types of clauses with nonverbal predicates.

## 1. Nonverbal predicates

There are three types of clauses with nonverbal predicates whose properties vary considerably across languages. These are adjectival predicates, nominal predicates, and locative predicates. In English, all three of these predicates occur with the copula verb *be*, as in (1).

- (1) a. My dog is *black*.  
 b. My dog is *a cocker spaniel*.  
 c. My dog is *in the house*.

In all three of these sentences, it is useful to think of the element following the form of the verb *be*, rather than *be* itself, as the real predicate. The verb *be* is more of a function word than a predicate; its function can be thought of as combining with nonverbal predicates to form what is syntactically a verbal predicate. While all three of these types of clauses with nonverbal predicates are similar in English, all employing a form of the verb *be*, it is more common crosslinguistically for languages to treat at least one of these types differently from the other two, and occasionally to treat all three in different ways.

Some languages lack copulas entirely, expressing nonverbal predicates directly. For example, in Mujiinyapata (Walsh 1976), a language isolate spoken in northern Australia, all three types of nonverbal predicates are simply juxtaposed with their subjects, without any verbal element. Each of the three types of predicates illustrated for English in (1) are illustrated for Mujiinyapata in (2).

- (2) a. panjun kan<sup>y</sup>i-ka putput  
 woman this-TOPIC pregnant  
 'this woman is pregnant'
- b. panu-ka lawanga  
 that.REMOTE-TOPIC wallaby  
 'that's a wallaby'
- c. nukunu-ka ŋara ɖa wijiit  
 3SG,MASC-TOPIC LOC place bed  
 'he's on the bed'

Note that it is sometimes important to distinguish clauses with nonverbal predicates from nonverbal clauses. The English sentences in (1) involve nonverbal predicates, but they are not nonverbal clauses, since they contain a verb, the copula verb. Examples like those in (2), however, where no copula is used, are not only clauses with nonverbal predicates, but are also nonverbal clauses.

### 1.1. Types of copulas

Some comment is necessary about the range of elements that might be termed copulas, forms that are used with nonverbal predicates. Such elements are most commonly verbs, as with the English copula *be*. In some languages, they have grammaticized from verbs with more specific meanings, like 'sit', and still have such meaning in some

contexts. For example, in Wambaya (Nordlinger 1998), a West Barkly language spoken in northern Australia, the verb meaning ‘sit’ is also used as a copula with both locative and nominal predicates, as in (3).

- (3) a. mirra ngirr-aji nganaarra-ni  
 sit 1PL,EXCL-HABIT,PAST Brunette.Downs-LOC  
 ‘we stayed at Brunette Downs’
- b. ini gi-n galyurringi mirra  
 this 3SG-PROG water sit  
 ‘this is water’

In some languages, the words serving the function of copulas are nonverbal. For example, in Nuer, a Nilotic language spoken in Sudan, there are two copulas, one used with singular subjects, the other with plural subjects, that are historically derived from the singular and plural third person pronouns, but which are now used as copulas, even with subjects that are first or second person, as in (4).

- (4) ε yän dec  
 be,SG 1SG soldier  
 ‘I am a soldier’

The morpheme ε functions elsewhere in Nuer as a third person singular pronominal clitic, as in (5), but in (4) it has grammaticized as a nonverbal copula.

- (5) cɔŋ-ε  
 dance-3SG  
 ‘he is dancing’

Similarly, in Swahili, a Bantu language spoken in east Africa, the copula is nonverbal. Verbs in Swahili inflect for the person, number, and noun class (NC) of their subject (and in some cases, their object) and for tense, as in (6a), but the copula does not inflect for any of these categories, and takes the invariant form *ni*, as in (6b), showing that it is not a verb.

- (6) a. wa-toto wa-na-cheza mpira.  
 NC<sub>2</sub>(PLUR)-child 3PL,NC<sub>2</sub>-PRES-play ball  
 ‘the children are playing ball’
- b. wa-toto ha-wa ni wa-dogo.  
 NC<sub>2</sub>(PL)-child this-NC<sub>2</sub>(PL) be NC<sub>2</sub>(PL)-small  
 ‘these children are small’

In other languages, the element that combines with the nonverbal predicate is phonologically bound as a suffix or clitic to the predicate expression. For example, in Eastern Pomo (McLendon 1975), a Hokan language spoken in California in the United States, a clitic is added to adjectives or locative case-marked nouns, when they are used predicatively, as in (7).

- (7) a. báhe? q̣o-dí-ʔè  
 that good-COPULA  
 ‘that one is good’

- b. ká.y-ŋa-ʔè  
ground-on-COPULA  
'it's on the ground'

Similarly, in Ngalakan (Merlan 1983), a Gunwinyguan language spoken in northern Australia, a suffix *-me* is added to noun or adjectives when they are serving as predicates, as in (8).

- (8) ŋaykaʔ goʔye ŋu-miŋpara-me-niñ  
1SG,ABS here 1SG-child-COPULA-PAST,CONTIN  
'I was a child here'

Note that the effect of adding the copulative suffix *-me* to a nonverbal predicate in Ngalakan is to create a word that functions as a verb. Once this suffix is added, the resultant form takes verbal affixes; in (8), the resulting verb takes the first person singular subject prefix *ŋu-* and the past continuous suffix *-niñ*. Copulative affixes are often called verbalizing affixes.

Muruwari (Oates 1988), a Pama-Nyungan language spoken in Australia, provides two ways to express adjectival predicates, one with a copula verb, as in (9a), the other analogous to the Ngalakan construction, in which a copulative suffix is added to the adjective, after which it behaves like a verb, taking verbal inflections, as in (9b).

- (9) a. marnta yi-n-ta-yu  
cold be-REALIS-PAST-1SG  
'I am cold'
- b. marnta-ma-yu  
cold-COPULA-1SG  
'I am cold'

## 1.2. Adjectival predicates

Adjectival predicates in English are nonverbal because English treats adjectives as a distinct word class from verbs. In many languages, however, the words expressing meanings associated with adjectives in English are simply verbs. In such languages, adjectival predicates are thus not a kind of nonverbal predicate, but simply a type of intransitive verbal predicate. For example, in Cree (Wolfart and Carroll 1981), an Algonquian language spoken in Canada, predicates expressing adjectival meanings exhibit the same grammatical properties as other verbs. Compare the forms of the Cree word for 'sleep' in (10) with the forms in (11) of the Cree word for 'big', used predicatively. (In (10c) and (11c), there is a prefix for first person and a suffix for first person singular.)

- |      |    |  |    |   |    |  |
|------|----|--|----|---|----|--|
| (10) | a. | nipā-w<br>sleep-3SG<br>'he/she sleeps'   | b. | nipā-wak<br>sleep-3PL<br>'they sleep'     | c. | ni-nipā-n<br>1-sleep-1SG<br>'I sleep'    |
| (11) | a. | mišikiti-w<br>big-3SG<br>'he/she is big' | b. | mišikiti-wak<br>big-3PL<br>'they are big' | c. | ni-mišikiti-n<br>1-big-1SG<br>'I am big' |

The identical morphology of the forms in (10) and (11) illustrates how the Cree word for ‘big’ is a verb, like the word for ‘sleep’.

In Lealao Chinantec (Rupp 1989), an Oto-Manguean language spoken in Mexico, adjectival words take verbal morphology, though they differ from other verbs in some respects, and thus belong to a distinct stative class of verbs. As we would expect since they are verbs, they do not require a copula. Rather surprisingly, however, they *can* take a copula, while still bearing verbal morphology themselves. The examples in (12a) and (12b) illustrate these two possibilities (the raised capital letters represent tones).

- (12) a. ?iHhiá<sup>?</sup>M      gá:M<sub>i</sub>      na<sup>VH</sup>-ma<sup>M</sup>  
           very            big,INAN,3      CLSFR-tree  
           ‘the tree is very big’
- b. ?iHhiá<sup>?</sup>M      gá:M<sub>i</sub>      na<sup>L</sup>-li<sup>VH</sup>      na<sup>VH</sup>-ma<sup>M</sup>  
           very            big,INAN,3      STAT-be,INAN,3      CLSFR-tree  
           ‘the tree is very big’

In some languages, some of the words corresponding in meaning to adjectives in English are verbs, while others belong to a separate nonverbal word class of adjectives, and this can affect whether they occur with a copula or not. For example in Slave (Rice 1989), an Athapaskan language spoken in northern Canada, there is a class of adjectives which require a copula when used predicatively, as in (13).

- (13) ?eyá    yá-kil̩i  
       sick    DISTRIBUTIVE-be  
       ‘they are sick’

However, many other words with adjectival meaning in Slave are simply verbs. For example the word for ‘big’ is a verb and therefore takes verbal morphology and does not occur with a copula, as illustrated in (14).

- (14) yá-nechá.  
       DISTRIBUTIVE-big  
       ‘they are big’

In most languages, words with adjectival meaning can be used predicatively either directly or in combination with a copula. A third possibility is provided by Dravidian languages like Malayalam (Asher and Kumari 1997) and Kannada (Sridhar 1989), both spoken in southern India, in which adjectives cannot directly be used predicatively, but must first be nominalized, and then are used with a copula, like normal nominal predicates. The examples in (15) illustrate predicative and attributive uses in Malayalam, showing how an adjective bears a nominal suffix indicating gender and number only when it is used predicatively, as in (15a), and not when it is used attributively, as in (15b).

- (15) a. ii    kuṭṭi    nalla-van      aaṇə  
           this    child    good-MASC,SG      be,PRES  
           ‘this child is good’
- b. nalla    kuṭṭi  
           good    child  
           ‘the good child’

### 1.3. Nominal predicates

In English, clauses with adjectival predicates and nominal predicates are similar, both employing the copula verb *be*. There are many languages which are similar to English in this respect, employing a copula verb with both adjectival and nominal predicates. However, there are many languages in which a copula is not necessary with adjectival predicates but is required with nominal predicates. The example in (16a) illustrates how adjectival predicates in Mizo (Chhange 1989), a Tibeto-Burman language spoken in northeast India, do not involve a copula verb, but employ a structure analogous to that used with verbal predicates, as in (16b), with a subject pronoun immediately preceding the verb, even when there is an independent noun phrase functioning as subject (the superscript '1' denotes tone).

- (16) a. keel a thii<sup>1</sup>  
 goat 3SG dead  
 'a goat is dead'
- b. Dou<sup>1</sup>a a zuang<sup>1</sup>  
 Dova 3SG jump  
 'Dova is jumping'

With nominal predicates, however, a copula verb is required, as in (17), with the nominal predicate preceding the subject pronoun and the copula verb.

- (17) ka aar<sup>1</sup> a<sup>1</sup> nii  
 1SG hen 3SG be  
 'it is my hen'

There are also many languages in which no copula is used with either adjectival or nominal predicates. The examples in (18) from Gude (Hoskison 1983), a Chadic language spoken in Nigeria and Cameroon, illustrate clauses with adjectival and nominal predicates.

- (18) a. gusə nə minə  
 short SUBJ woman  
 'The woman is short'
- b. nwənwu nə Kwalii  
 chief SUBJ Kwalii  
 'Kwalii is a chief'

In both clauses in (18), the predicate expression occurs at the beginning of the clause, without any marking, followed by the subject. But the clauses in (18) are distinct in form from verbal clauses in Gude, in that verbal clauses normally contain an aspect marker, as in (19).

- (19) agi adənə nə Musa dəfəna  
 CONTIN eat SUBJ Musa mush  
 'Musa is eating mush'

Thus, even in the absence of a copula, clauses with adjectival or nominal predicates may have properties distinguishing them from clauses with verbal predicates.

In most languages in which adjectival predicates occur with a copula, the noun occurs with the same copula, as in English. However, in Purki (Rangan 1989), a Tibeto-Burman language spoken in India, adjectival predicates and nominal predicates occur with different copulas, as in (20).

- (20) a. k<sup>h</sup>o rgyalpoik in-min  
 3SG king be-PAST  
 'he was a king'
- b. k<sup>h</sup>o rdamo duk  
 3SG beautiful be,PRES  
 'she is beautiful'

In (20a), we get a copula verb *in* with a nominal predicate, while in (20b) we get a different copula verb, *duk*, with an adjectival predicate.

Similarly, in Mauka (Ebermann 1986), a Mande language, there is a copula which is used with predicate adjectives but which cannot be used with nominal or locative predicates, as in (21).

- (21) dī` à tímí  
 honey be sweet  
 'honey is sweet'

Nominal predicates occur with the same copula as locative predicates, but they also occur with a postposition meaning 'like'. Example (22a) illustrates the use of this copula with a locative predicate, (22b) with a nominal predicate:

- (22) a. sò yè tú ló  
 horse be.at forest in  
 'horses are in the forest'
- b. sò` yè sòò lé  
 horse be.at animal like  
 'horses are animals'

In Logo (Tucker 1940/1967), a Nilo-Saharan language spoken in Zaire, there are two copulative suffixes, one that is usually used with nominal predicates and the other with adjectival predicates. Nominal predicates normally occur with a copulative suffix *-e*, as in (23).

- (23) ma ago-e  
 1SG man-COPULA  
 'I am a man'

Adjectival predicates in Logo normally take a different suffix *-ro*, as in (24).

- (24) a'di tovo-ro  
 3SG lazy-COPULA  
 'he is lazy'

But this association with nouns and adjectives is not rigid, and it is possible to get each of these suffixes with the other type of complement. The example in (25a) illustrates a

nominal predicate with *-ru* (an alternate form of *-ro*) while (25b) illustrates an adjectival predicate with *-e*.

- (25) a. mí kugú-ru  
 2SG thief-COPULA  
 'you are a thief'
- b. 'dia alo tani-e  
 only one good-COPULA  
 'one only is good'

The difference between these two copulas is thus apparently a semantic one. One hypothesis consistent with these examples (and other examples cited by Tucker) is that *-e* denotes a more permanent state while *-ro* denotes a more temporary state. Since the properties represented by nouns are permanent more often than those represented by adjectives, we would expect to get *-e* more often with nouns and *-ro* more often with adjectives.

In some languages, nominal predicates exhibit the same grammatical properties as verbal predicates, including relevant morphology. The example in (26) illustrates this for Lango (Noonan 1992), a Nilotic language spoken in Uganda.

- (26) a. án à-dáktál  
 1SG 1SG-doctor,HABIT  
 'I am a doctor'
- b. à-tíyô  
 1SG-work,HABIT  
 'I work'

In both sentences in (26), the predicate word bears the first person singular prefix *à* as well as habitual aspect marking, which is realized by high-low tone (marked by  $\hat{\ }$ ) on the last syllable: in (26a), the form of the noun for 'doctor' in its predicate use is *dáktál*, while in other contexts, it is *dáktàl*. Note that nouns are in other respects quite distinct from verbs in Lango. For example, they occur with distinct nominal plural forms, as in *dáktàlê* 'doctors'. Note that when the noun is modified, the same verbal morphology occurs on the noun, as in (27).

- (27) án à-dáktál à bër  
 1SG 1SG-doctor,HABIT REL good  
 'I am a good doctor'

Clauses with nominal predicates referring to the past or future in Lango normally occur with a separate verb, otherwise meaning 'stay', functioning as a copula. For past time reference, the perfective form of this verb is used, as in (28a), while for future time reference, a form of the verb for 'come' is used, followed by the infinitival form of the verb for 'stay', as in (28b).

- (28) a. án à-bédò dàktál  
 1SG 1SG-stay,PERF doctor  
 'I was a doctor'



- b.      òkélò    bínô                      bédò        rwòt  
           Okelo   3SG,come,HABIT      stay,INFIN    king  
           ‘Okelo will be king’

#### 1.4. Equational clauses vs. clauses with true nominal predicates

There are two types of nominal predicates, though most languages do not appear to treat them distinctly. The two types are illustrated for English in (29).

- (29) a.      Nancy is a lawyer.  
       b.      Sally Smith is the head of this department.

The predicate in (29a) is nonreferential and can be viewed as denoting the generic kind “lawyer”. The predicate in (29b) is referential and identifies the individual denoted by the predicate with the individual denoted by the subject. Both types of clauses with nominal predicates are often referred to as “equational”, but strictly speaking, the term is only appropriate the second of the two types in (29). In true equational clauses, the subject and predicate can be reversed; we can thus reverse (29b) as (30), with the only difference in meaning being a possible difference in topic and focus.

- (30)    The head of this department is Sally Smith.

Clauses with nonreferential nominal predicates – or true nominal predicates, as I will call them – cannot be easily reversed. If we try reversing the subject and predicate in (29a), with a true nominal predicate, we get the very archaic sentence ??*A lawyer is Nancy*. In so far as this is acceptable, *Nancy* is still the subject and *a lawyer* is still the predicate, and its status is the same as ??*Tall is Nancy*, where it is clearer that *Nancy* is subject (cf. ??*Tall are Nancy and her mother*). True nominal predicates can be thought of as being more like adjectival predicates, denoting properties of the subject: (29a) attributes to Nancy the property of being a lawyer just as *Nancy is tall* attributes to Nancy the property of being tall.

The difference between equational clauses and true nominal predicate clauses usually corresponds in English to whether the nominal predicate is grammatically definite or grammatically indefinite, as in (31).

- (31) a.      My dog is the cocker spaniel.  
       b.      My dog is a cocker spaniel.

However, the difference between the two predicate noun phrases in (31) is quite different from the difference between definite and indefinite noun phrases in other syntactic contexts, as in (32).

- (32) a.      I saw the cocker spaniel.  
       b.      I saw a cocker spaniel.

In (32b), *a cocker spaniel* is referential, but refers to a cocker spaniel that is not known to the hearer. In (31b), in contrast, *a cocker spaniel* is nonreferential.

Many languages do not distinguish equational clauses from true nominal predicate clauses. For example, in Kutenai, a language isolate spoken in western Canada and the United States, (33) can have either interpretation.

- (33) *nin-i xaxas*  
 be-INDIC skunk  
 'it was a skunk; it was the skunk'

However, Kusaiean (Lee 1975), an Austronesian language spoken in Micronesia, distinguishes equational clauses from true predicate nominal clauses by employing a copulative particle *pa* between the two noun phrases in an equational predicate sentence, as in (34a), while not employing any overt marker in a true predicate nominal sentence, as in (34b).

- (34) a. *mwet luti sac pa mwet sacn*  
 person teach the COPULA person that  
 'the teacher is that person'
- b. *mwet sacn muhtwacn se*  
 person that woman one  
 'that person is a woman'

The predicate in a true predicate nominal sentence can occur with the indefinite determiner *se* 'one', as in (34b), or without it, as in (35).

- (35) *ma sacn usr soko*  
 thing that banana plant  
 'that thing is a banana plant'

A second example of a language distinguishing equational clauses from true nominal predicate clauses is West Greenlandic (Fortescue 1984), an Eskimo-Aleut language. Equational clauses in West Greenlandic involve a nonverbal copular particle placed between the two noun phrases, as in (36a), while true nominal predicate clauses involve a verbalizing (copulative) suffix on the predicate noun, as in (36b).

- (36) a. *Hansi tassa pisurtaq*  
 Hansi be leader  
 'Hansi is the leader'
- b. *illuqarvi-u-vuq*  
 town-COPULA-3SG,INDIC  
 'it is a town'

A third example is Cebuano, an Austronesian language spoken in the Philippines. In fact, Cebuano can be said to represent the difference in meaning in a rather transparent way. Compare the equational clause in (37a) with the true nominal predicate clause in (37b).

- (37) a. *ang duktur ang babayi*  
 TOPIC doctor TOPIC woman  
 'the woman is the doctor'
- b. *duktur ang babayi*  
 doctor TOPIC woman  
 'the woman is a doctor'

Noun phrases in Cebuano normally require one of a set of noun phrase markers or articles like the so-called topic marker *ang*, which occurs twice in (37a) and once in (37b). The equational clause in (37a) consists of a sequence of two noun phrases *ang duktur* ‘the doctor’ and *ang babayi* ‘the woman’, and the order of the two noun phrases can be reversed as in English, again with a difference that can be characterized in terms of topic and focus, except that in Cebuano the first noun phrase will normally be interpreted as the focus, the second one as topic. The equational nature is represented by the fact that both parts are noun phrases. The predicate in the true nominal predicate sentence in (37b), however, consists of just a noun, without any marker like *ang*. Although it can take modifiers, it is not really a noun phrase at all, but rather one of a number of structures that can occur as instances of predicates. Furthermore, any predicate, nominal or verbal, can combine with noun phrase markers like *ang* to form a noun phrase. Given a simple sentence like (38a), for example, we can take a predicate like *nagtawag nakuq* ‘was calling me’, and combine it with a marker like *ang* to form a noun phrase *ang nagtawag nakuq* with the meaning ‘the one who was calling me’, which can occur as an argument of the verb, as in (38b).

- (38) a. nag-tawag                                    ang    babayi    nakuq.  
        SUBJ.FOCUS,DUR-call            TOPIC   woman    1SG,NONTOPIC  
        ‘the woman was calling me’
- b. babayi    ang    nag-tawag                                    nakuq.  
        woman    TOPIC   SUBJ.FOCUS,DUR-call                                    1SG,NONTOPIC  
        ‘the one who was calling me was a woman’

The syntactic construction whereby a predicate like *nagtawag nakuq* ‘was calling me’ can be combined with a marker like *ang* to form a noun phrase is the same construction whereby what corresponds to noun phrases in European languages are formed: a noun phrase like *ang babayi* ‘the woman’ is formed by combining the marker *ang* with a predicate, in this case the nominal predicate *babayi* ‘woman’. With this as background, it should be clear that *duktur* ‘doctor’ in the true nominal predicate sentence in (37b) is not a noun phrase, in contrast to *ang duktur* ‘the doctor’ in the equational sentence in (37a). Cebuano not only clearly distinguishes equational clauses from true nominal predicate clauses, but does so in a way that makes the difference transparent, since unlike English, where both types of clauses involve noun phrases in predicate position, Cebuano uses what is syntactically a type of predicate expression in true nominal predicate clauses, but a noun phrase in equational clauses.

### 1.5. Optional copulas

Copulas are obligatory with nonverbal predicates in some languages, while in other languages they are not. In some instances, the use of a copula is simply grammatically optional, and is not grammatically conditioned. The examples in (39) from Tamang (Mazaudon 1976), a Tibeto-Burman language of Nepal, illustrate the word *căca* ‘small’ functioning as an adjectival predicate with a copula (in 39a) and without a copula (in 39b).

- (39) a. ná-la            ùm            căca            mú-la  
        1SG-GEN    house    small    be-INDEF  
        ‘my house is small’

- b. cū mēnto cāca  
 this flower small  
 'this flower is small'

In other instances, the use of a copula is grammatically conditioned. For example, in Sanuma (Borgman 1990), a Yanomámi language spoken in Venezuela and Brazil, no copula is used in the present tense, as illustrated in (40a), while a copula is used in the past and future tenses, as illustrated in (40b) and (40c).

- (40) a. hisa sa  
 young.man 1SG  
 'I am a young man'
- b. palata ti hösösö ku-o-ma  
 rubber CLSFR resin be-PUNCT-COMPL  
 'it was rubber'
- c. kaikana te ku-ki kite  
 headman 3SG be-FOCUS FUT  
 'he will be headman'

In Evenki (Nedjalkov 1997), a Tungus language spoken in Siberia, the copula is obligatory, as in (41a), except in the present third singular, as illustrated in (41b).

- (41) a. bi alagumni bi-che-v  
 1SG teacher be-PAST-1SG  
 'I was a teacher'
- b. minngi ami-m bejumimni (bi-si-n)  
 my father-1SG,POSS hunter be-PRES-3SG  
 'my father is a hunter'

The optionality of copulas can also vary with the type of predicate. For example, in Chalcatongo Mixtec (Macaulay 1996), spoken in southern Mexico, the copula is normally required with nominal predicates, but is optional with adjectival predicates. The example in (42a) illustrates a clause with a copula and a nominal predicate, (42b) illustrates a similar clause with an adjectival predicate, and (42c) illustrates a clause with an adjectival predicate without a copula.

- (42) a. ku ī cāà kã?nũ  
 be,POTEN,3 one man big  
 'he will be a big man'
- b. ku sũkũ  
 be,POTEN,3 tall  
 'he will be tall (when he grows up)'
- c. cã?ã xa-lúli  
 dirty NOMIN-small  
 'the boy is dirty'

In Kombai (De Vries 1993), an Awyu language spoken in Irian Jaya in Indonesia, there is a copulative suffix *-a* that is attached to various kinds of nonverbal predicates. With nominal predicates, it is optional; in (43a), it is used, while in (43b) it is not.

- (43) a. mene af-a  
           this house-COPULA  
           ‘this is a house’
- b. mene a  
       this house  
       ‘this is a house’

It is also optional with adjectival predicates, as illustrated in (44), though it is apparently more common not to use it.

- (44) a. mofene rubu-khey-a  
           that bad-ADJ-COPULA  
           ‘that is bad’
- b. mofene rubu-khe  
           that bad-ADJ  
           ‘that is bad’

However, it cannot be used if the adjective bears the intensifying suffix *-rabo*, as in (45).

- (45) a. mene yafe-rabo  
       house this good-very  
       ‘this house is very good’

It is obligatory, however, if the predicate is a personal pronoun expressing possession, as in (46).

- (46) mene nuf-a  
       this 1SG-COPULA  
       ‘this is mine’

In Korowai, an Awju language closely related to Kombai, there is a copula verb that cliticizes optionally onto both nominal and adjectival predicates. However Van Enk and De Vries (1997) report that the copula is usually present with adjectival predicates but “infrequently present” with nominal predicates. (47a) illustrates the typical adjectival predicate, with the copula, while (47b) illustrates the typical nominal predicate, without the copula. (The suffix glossed ‘NEAR’ in (47b) signifies a time near to the present, either past or future.)

- (47) a. nokhu khakhul khén-telo-felu-ndé  
           we yesterday angry-be-NEAR-1SG,REALIS  
           ‘yesterday we were angry’
- b. yu nggulun-benè?  
       he teacher-Q  
       ‘is he a teacher?’

## 1.6 Locative predicates / Existential clauses

### 1.6.1. Locative copulas

The third common type of nonverbal predicate is that of a locative expression, as in English *My dog is in the house*. Some languages are like English in employing the same copula with locative predicates that is used with adjectival and/or nominal predicates. The examples in (48) illustrate this for Babungo (Schaub 1985), a Niger-Congo language spoken in Cameroon.

- (48) a. t̥i      ŋwāa   l̥u   wúu   ndāa  
 father   my   be   person   smithy  
 ‘my father is a blacksmith’
- b. fāzi      k̥ə      l̥u      ŋk̥è      k̥əj̥ə  
 food      this      be      good      very  
 ‘this food is very good’
- c. ŋwó      l̥u      t̥aa      y̥iw̥iŋ  
 3SG      be      in      market  
 ‘he is in the market’

The copula verb *l̥u* is used with all three kinds of predicates in (48), with a nominal predicate in (48a), an adjectival predicate in (48b), and with a locative predicate in (48c).

It is very common, however, for a different copula to be used with locative predicates, one that has location as part of its meaning. Such locative copulas are often best glossed ‘be at’. We saw above in (28) that Lango uses a verb originally meaning ‘stay’ as a copula with adjectival and nominal predicates in the past and future tenses. In clauses with locative predicates in Lango, a distinct locative copula is used, as illustrated in (49).

- (49) án      d̥án      à-tíè                                      ì      cùkùl  
 1SG      also      1SG-be.at,PRESENT,HABIT      at      school  
 ‘I’m also at school’

Similarly, in Koromfe (Rennison 1996), a Niger-Congo language spoken in Burkina Faso, nominal and adjectival predicates occur with a copula *la*, as in (50a) and (50b) (though the order of copula and predicate is different with nominal predicates from its order with adjectival predicates), while locative predicates occur with a locative copula *wē*, as in (50c).

- (50) a. m̥ə      la      a      j̥ə  
 1SG      be      ART      chief  
 ‘I am the chief’
- b. d̥ə      lugni      a      b̥ĩn̥ĩã      la  
 3SG      cat,PLUR      ART      black,PLUR      be  
 ‘his cats are black’
- c. d̥ə      w̥ē      d̥āãɛ  
 3SG      be.at      at.home  
 ‘he is at home’

Some languages commonly use as locative copulas a set of words that vary along some more specific spatial dimension. In Diyari (Austin 1981), a Pama-Nyungan language spoken in Australia, for example, locative predicates occur with one of three verbs, meaning ‘sit’, ‘stand’, and ‘lie’, depending on which orientation better fits, as illustrated in (51).

- (51) a. wila marapu ŋama-yi ŋura-ŋi  
 woman many,ABS sit-PRES camp-LOC  
 ‘there are many women in the camp’
- b. ŋapa piŋa pantu-ŋi pada-yi  
 water big,ABS lake-LOC lie-PRES  
 ‘there is a lot of water in the lake’

Because of the element of verbal meaning that is in these locative copulas, one could argue that examples like those in (51) do not involve nonverbal predicates, though they represent the way in which Diyari expresses meaning that other languages express by meaning of nonverbal locative predicates.

Cebuano commonly employs a number of different words in predicate locative clauses that are related to the demonstratives in the language and that vary, not for orientation, but for proximity to hearer and speaker (as well as for tense), as in (52).

- (52) a. túqa si Místir Abáya sa Amiriká  
 there,NOT.NEAR.HEARER,PRES TOPIC Mr. Abaya LOC America  
 ‘Mr. Abaya is in America’
- b. ánhi siyá sa Sibú  
 here,NEAR.1PL.INCL,FUT 3SG, TOPIC LOC Cebu  
 ‘he will be here in Cebu’

Despite the fact that these words vary for tense, they are not verbs. The verbal system in Cebuano lacks a distinction between past and present tense and the distinction between future and nonfuture found with verbs is represented very differently than it is with these nonverbal locative words.

### 1.6.2. Existential clauses

Clauses with locative predicates as a type of clause overlap with what is a distinct category of clause in many languages, that of existential clauses. Consider the three examples in (53) from Ma’anyan (Gudai 1985), an Austronesian language spoken in Kalimantan (Borneo) in Indonesia.

- (53) a. inehni naqan hang sungking  
 mother be.at at kitchen  
 ‘his mother is in the kitchen’
- b. naqan erang kaulun waway mawiney hang tumpuk yeruq  
 be.at/exist one CLSFR woman beautiful at village the  
 ‘there was a beautiful woman in that village’

- c.   sadiq            naqan   tumpuk   eteqen  
      olden.time   exist   village   Eteen  
      ‘once upon a time there was a village called Eteen’

All three examples in (53) involve a verb *naqan* ‘be at, exist’. The clause in (53a) involves a locative expression *hang sungking* ‘in the kitchen’ and the verb *naqan* can be considered a locative copula, linking an expression denoting something to which a location is attributed (henceforth the theme) to a nonverbal predicate consisting of a locative expression. The example in (53b) is in some ways similar. Again, it can be considered a locative copula, linking a theme expression (*erang kaulun wawey mawiney* ‘a beautiful woman’) to an expression denoting a location (*hang tumpuk yeruq* ‘in the village’). It can also, however, be viewed as stating the existence of something (a beautiful woman), and can thus be equally well described as existential. The third example, in (53c), does not involve a location; here, only the existence of something is stated. We can say, thus, that (53a) and (53b) are predicate locative clauses and that (53b) and (53c) are existential clauses. This says that (53b) is both a predicate locative clause and an existential clause. Ma’anyan is not unusual in using the same word for a range of functions that includes that of a locative copula and that of an existential word.

Characterizing clauses like (53b) and (53c) as existential in that they state the existence of something is perhaps somewhat misleading. From a discourse point of view, the primary function of such clauses is apparently to introduce a participant into the discourse that is new to the hearer. The contrast between (53a) and (53b) thus corresponds to a pragmatic difference of identifiability, and hence to a grammatical difference in definiteness in English. The example in (53a) does not state the existence of the mother; this is presumably presupposed. In that sense, the example in (53a) is not really existential.

While both (53a) and (53b) can be characterized as involving a locative predicate, Ma’anyan is like many languages in using a grammatically distinct construction when the theme expression is pragmatically nonidentifiable (indefinite): in (53a), the theme expression precedes the verb, in the normal position for subjects in Ma’anyan, while in (53b), the theme expression follows the verb, in a position in which subjects in Ma’anyan are not normally found. It is not clear, in fact, whether the theme expression in (53b) should be considered a subject in Ma’anyan, and a similar question arises for analogous constructions in many other languages. But whether or not the theme expression ought to be considered a subject, the construction in (53b) and (53c) can be characterized as a distinct construction in the language, since the verb occurs at the beginning of the clause and either the subject follows the verb or the clause is impersonal (i.e. subjectless).

English is in fact strikingly similar to Ma’anyan in a number of respects. In English, it is possible to have a predicate locative sentence with either a definite or an indefinite subject, as in (54).

- (54) a. The dog is in the garden.  
       b. A dog is in the garden.

However, a more natural way to express the meaning of (54b) is as in (55), with a distinct existential construction.

- (55) There is a dog in the garden.

The construction in (55) resembles the Ma’anyan construction in (53b) in that the theme expression follows the verb. A difference is that in English there is a separate word *there*



in subject position, and by most criteria, the word *there* functions as the subject (though the theme expression can still control agreement, as in *There are two dogs in the garden*).

Furthermore, the English construction in (55) is restricted to clauses with indefinite subjects. Analogous clauses with a definite subject, as in (56), are rather different in a number of ways.

(56) There is the dog in the garden.

While the clauses in (54b) and (55) mean approximately the same thing, the clause in (56) means something quite different from (54a) and is arguably a different construction altogether.

Many languages are like Ma'anyan and English in using two different constructions with locative predicates depending on whether the theme is identifiable or not, with a distinct existential construction being used when the theme is nonidentifiable. For example, in Malayalam, there are two locative copulas, the distinction largely depending on the identifiability of the theme. Contrast the two examples in (57).

- (57) a. *kutti*      *toottatt-il*      *aanə*  
 child      garden-LOC      be,PRES  
 'the child is in the garden'
- b. *meeja*      *meel*      *pustakam*      *untə*  
 table      on      book      exist,PRES  
 'there is a book on the table'

The copula *aanə* in (57a) is the same copula used in sentences with nominal predicates, as in (58) (and adjectival predicates, which must be nominalized to be used predicatively, as illustrated earlier in this chapter in 15a).

- (58) *avan*              *tiiccar*      *aanə*  
 3SG,MASC      teacher      be,PRES  
 'he is a teacher'

The choice between the two copulas in (57) when used with locative predicates depends largely on whether the subject is identifiable or not, as is indicated by the English glosses in (57), so that the copula *untə* can be characterized as existential. The two constructions also differ in their normal word order: with identifiable subjects, as in (57a), the subject most often comes first, followed by the locative expression, while in the existential construction, the locative more often occurs first, followed by the subject. Asher and Kumari note (p. 99) that the use of the two copulas does not exactly line up with the identifiability of the subject, that it is sometimes possible to use the existential verb with an identifiable subject, as in (59), and suggest some possible factors governing this usage, but they note that the contrast between the two uses does normally hinge on the identifiability of the subject.

- (59) *unni*      *viiṭt-il*      *untə*  
 Unni      house-LOC      exist,PRES  
 'Unni is at home'

While there are languages like the ones discussed here which distinguish a predicate locative construction with an identifiable theme from an existential construction with a nonidentifiable theme, there are many other languages in which the same construction is

used, whether the theme is identifiable or not. The example in (60) from Mangarayi (Merlan 1982), spoken in northern Australia, can be interpreted either way.

- (60) mawuj ja-Ø-ŋi biyangin ŋa-bongan  
 food 3-3SG-be inside LOC-box  
 'there's food in the box; the food is in the box'

Thus Mangarayi can be said to lack a distinct existential construction.

The existential constructions in Ma'anyan and English both use verbs in their existential constructions, though English also uses a distinct existential word 'there', which is more like a pronoun than anything else (as reflected by its use in tag questions: *There's a dog in the garden, isn't there*), though one with a highly restricted distribution. In some languages, however, the existential construction does not employ a verb, but rather an existential word whose categorial properties make it different from words in other categories. For example in Cebuano, there is an existential word *may*, illustrated in (61).

- (61) may bir  
 exist beer  
 'there is (was, will be) beer'

While *may* looks verbal to the extent that it occurs in clause-initial position, the normal position for verbs in Cebuano, it lacks the morphological characteristics of a verb, and since other categories, like nouns, can occur in clause-initial position when they are predicates, the position of *may* does not provide any basis for calling it a verb, and its category is thus somewhat indeterminate.

In some languages, the existential construction lacks an overt existential word and consists of just the NP expressing the theme. This is the case in Tolai (Mosel 1984), an Austronesian language of New Britain in Papua New Guinea, as illustrated in (62), where the noun phrase consists of just an article followed by a compound noun meaning 'famine' (literally 'season of hunger').

- (62) a kilala-na-mulmulum  
 ART season-LINK-hunger  
 'there was famine'

### 1.6.3. Existential clauses for expressing predicate possession

Languages differ considerably in how they express what can be called predicate possession. In some languages, this meaning is expressed with a transitive verb like English *have*, as in (63), in which the possessor occurs as subject and the possessed item occurs as object.

- (63) John has a new car.

However, many languages employ predicate locative or existential clauses to express such meanings, with the possessor expressed as some sort of locative. The examples in (64) illustrate this for Igorot Bontoc (Seidenadel 1909), an Austronesian language spoken in the Philippines.

- (64) a. wodá nan ónash id Falídfid  
 be.at ART sugar.plantation LOC Falidfid  
 ‘there was a sugar cane plantation at Falidfid’
- b. wodáy nan fákát is nan ongóngá  
 be.at ART nail LOC ART boy  
 ‘the boy has a nail’  
 (literally ‘a nail is at the boy’)

The examples in (64) are almost exactly analogous: both involve the existential word *wodá(y)* (the difference between the two forms is not significant), both have the order Verb-Theme-Location/Possessor; and both use the same locative preposition to mark the location in (64a) and the possessor in (64b) (*is* and *id* are phonological alternants of the same preposition). In many languages, however, predicate possession clauses resemble existential clauses to some extent but the possessor expression is treated somewhat differently. Compare the two examples in (65) from Kannada (Sridhar 1989), a Dravidian language spoken in southern India.

- (65) a. ka:ŋgaru:-gaḷu a:stre:liya:-dalli iruttave  
 kangaroo-NOM,PL Australia-LOC be, NONPAST, 3PL, NEUT  
 ‘Kangaroos live in Australia’
- b. nana-ge mu:varu heṇṇu makkaḷu idda:re  
 1SG-DAT three female children, NOM, PL be, NONPAST, 3PL, HUMAN  
 ‘I have three daughters’

The example in (65a) illustrates a predicate locative sentence, with a noun marked with the locative case functioning as a locative predicate. The example in (65b) illustrates a predicate possession sentence, with the possessed element in the nominative case and the possessor in the dative case, similar to (65a), but with dative case rather than locative case. There is also a difference in the preferred order for the two constructions (Sridhar, p.c.): while the order with the dative-marked possessor in (65b) first is clearly preferred over one with the possessed element in the nominative coming first, there is less clearly any preference for the order of the two noun phrases in (65a).

A possessor can be added to the existential construction in Cebuano illustrated above in (61), but appears as the grammatical topic (subject on some analyses), as in (66), rather than as some sort of locative expression.

- (66) may bir si Lúling  
 exist beer TOPIC Loling  
 ‘Loling has/had beer’

Similarly, Ma’anyan can add a possessor to the existential construction illustrated above in (53c), as in (67).

- (67) aku naqan buku  
 1SG be.at book  
 ‘I have a book’

Note that the construction in (67) vaguely resembles the locative predicate construction in Ma’anyan illustrated in (53a) above, in that both have an NP preceding the verb, but the meaning associated with the two verbal frames is completely different, since in (53a) it is

the preverbal nominal that is the theme, while in (67) it is the postverbal nominal that is the theme, while the preverbal nominal is the possessor.

A distinct way of using existential constructions for expressing the meaning of 'have' is to express the possessor, not as a locative, but as a possessive modifier of the noun possessed. The example in (68a) illustrates this for Imonda (Seiler 1985), a Northern Trans New Guinea language, and in (66b) for Kutenai.

- (68) a. ne-na      motorbike      kai   li-f-me  
           2-GEN      motorbike      Q    lie-PRES-Q  
           'do you have a motorbike?'  
           (literally: 'does your motorbike exist?')
- b. niʔs    piʔaks            saŋ    ʔat            ʔin    ʔin-s-i            ʔa-kawutʔa-ʔis  
       ART    earlier.times      but    HABITUAL    must be-OBV-INDIC    teepee-3,POSS  
       'but in earlier times they must have had teepees'  
       (literally 'but in earlier times, their teepees must have been')

#### 1.6.4. Other types of existential clauses

While we are in general not discussing negative clauses in this chapter (leaving that to chapter I.6 on Negation), it is worth mentioning negative existential clauses here because, unlike most other types of negative clauses in which some other element is negated, the negation in negative existential words is often an inherent part of the predication itself. In other words, while in the example in (69a) from Quechua (Weber 1989), there is a negative word and negative suffix modifying a separate existential word (here just the normal copula verb being used existentially), in some languages there is a single negative existential morpheme, as in the Kutenai example in (69b) and in the Malayalam example in (69c); compare (69c) with the affirmative Malayalam examples above in (57).

- (69) a. mana    papa      ka-ra-n-chu  
       NEG    potato    be-PAST-3-NEG  
       'there were no potatoes'
- b. ʔuʔ-ni                      k=ʔikam                      niʔtahaʔ  
       not.exist-INDIC      SUBORD=come                young.man  
       'none of the young men came.'  
       (literally 'The young men who came did not exist')
- c. ivite    kooleej    illa  
       here    college    not.exist  
       'there is no college here'

Another class of existential predicates in some languages involve numerals or quantifier expressions denoting quantity with meanings like 'many' or 'few'. In English, numerals and quantifiers do not generally function as predicates. We thus do not generally say *The men in the room were three* but are more likely to express the intended meaning by saying *The men in the room were three in number* or *There were three men in the room*. In some languages, however, numerals and quantifiers are used freely as predicates. In some such languages, this is because numerals are simply verbs, and hence such clauses are really ones with verbal predicates. This is illustrated in (70) for Kutenai.

- (70) a. n<sup>=</sup>as-ni                      titqaí  
 INDIC=two-INDIC              man  
 ‘there were two men’  
 (literally: ‘the men were two’)
- b. taxas yunaqa<sup>?</sup>-ni              suyapi  
 then    many-INDIC              white.person  
 ‘then there were a lot of white people’  
 (literally: ‘then the white people were many’)

The indicative prefix in (70a) and suffix in both (70a) and (70b) are verbal affixes, illustrating the status of *?as* ‘two’ and *yunaqa* ‘many’ as verbs. While such clauses are existential, it is misleading to characterize them as nonverbal clauses, since the numeral in these clauses is the predicate. But in some languages, analogous clauses do count as nonverbal clauses in that the numerals are not verbs morphologically, but can still be used as predicates, as in Hanis Coos, an extinct language possibly belonging to the Penutian family that was spoken on the west coast in the United States (Frachtenberg 1922), as in (71). [THE FONT IN (71) MAY NOT APPEAR CORRECTLY IN PDF VERSIONS OF THIS PAPER]

- (71) a.    ka<sup>te</sup>xi s    ha<sup>n</sup>L    ɛ    qai<sup>L</sup>āw as  
 five              FUT    the    rollers  
 ‘the rollers will be five (in number)’  
 (or ‘there will be five rollers’)
- b.        y    xw                      hi<sup>i</sup>xi e  
 two              his    children  
 ‘he had two children’  
 (literally ‘his children were two’)

### 1.7. Minor types of clauses with nonverbal predicates

In addition to the three fairly basic types of nonverbal predicates covered in the preceding sections, some less common ones do occur in many languages. The examples in this section, as well as the English sentences used as glosses, illustrate various types of the minor nonverbal predicates. The examples in (72) from Wambaya (Nordlinger 1998) illustrate genitive predicates (not to be confused with what were called predicate possession clauses in sect. 1.6.3 above, expressing meaning like ‘I have money’). (The Roman numeral ‘IV’ in these examples represents a noun class.)

- (72) a.    yana                              ngarrga!  
 this,IV,SG,NOM              1SG,POSS,IV  
 ‘this (money) is mine’
- b.    bungmanya-nkal              yaniyaga                      warnu  
 old.woman-DAT,IV              that,IV,SG,NOM              tobacco(IV),NOM  
 ‘that tobacco is the old woman’s’

The form of the predicates in these examples is the same form that would occur if these predicates (*ngarrga* ‘mine’ and *bungmanyankal* ‘the old woman’s’) were occurring as genitive modifiers of nouns. English is somewhat unusual in fact in having a distinct set of

pronouns whose basic use is in genitive predicates (*mine, yours, his, hers, etc.*). In Awa Pit (Curnow 1997), a Barbacoan language spoken in Colombia and Ecuador, the forms used as pronominal possessive modifiers of nouns can also be used directly predicatively. The use of *ap* '1sg, poss' as a possessive modifier of a noun is illustrated in (73a), its use as a predicate, followed by a copula verb, in (73b).

- (73) a. *ap*                    *pimpul*  
           1SG,POSS        leg  
           ‘my leg’
- b. *an*    *yal=na*            *ap*            *ka-y*  
       this    house=TOPIC    1SG,POSS    be,permanently-NONLOCUT  
       ‘this house is mine’

Many languages do not allow genitive predicates, requiring that the genitive be modifying some nominal element. For example, in Una (Louwerse 1988), a Central New Guinea language spoken in Irian Jaya in Indonesia, one must if necessary repeat the noun denoting what is possessed, as in (74).

- (74) a. *yina* *Karba* *yina*  
       that    food    Karba    food  
       ‘that food is Karba’s (food)’

Other examples illustrating minor types of nonverbal predicates are given in (75) to (78). The example in (75) from Babungo (Schaub 1985) illustrates a benefactive predicate.

- (75) *ŋwà'lə* *ŋwə* *lùu* *tí* *Làmbí*  
       letter    this    be    to    Lambi  
       ‘this letter is for Lambi’

The examples in (76) illustrate three sorts of minor nonverbal predicates from Gooniyandi (McGregor 1990), a Bunaban language spoken in northern Australia: (76a) is a purpose predicate; (76b) is a simulative predicate; and (76c) is a predicate denoting origin.

- (76) a. *thangarla*        *moonyjoo-yoo* *ligidd-woo*  
       toothbrush    tooth-DAT        clean-DAT  
       ‘a toothbrush is for cleaning teeth’
- b. *goornboo*    *ngooddoo*    *yoowooloo-jangi*  
       woman        that            man-like  
       ‘that woman is like a man’
- c. *niyaji*    *yoowooloo*    *moolooddja-nhingi*  
       this        man            Mulurrja-ABL  
       ‘this man is from Mulurrja’

Example (77), from Tamambo (Jauncey 1997), an Austronesian language spoken on Vanuatu, illustrates a predicate representing what some have called a referential expression.

- (77) *sora-e*            *atea* *niani* *matai* *tanume* *arua*  
       talk-NOMIN    one    this    about    devil    two  
       ‘this story is about two devils’

And (78), from Finnish (Sulkala and Karjalainen 1992), involves a comitative (or associative) predicate.

- (78) hän on minun kanssa-ni  
 3SG be,3SG 1SG,GEN with-1SG,POSS  
 'she/he is with me'

In some languages, the meaning of 'have' is expressed with a construction like (78): 'A has B' is 'A is with B'. The example in (79) illustrates this in Koyraboro Senni (Heath 1999), a Songhay language spoken in west Africa.

- (79) a goo-nda zaŋka hiŋka  
 3SG be.at-with child two  
 'he has two children'

Note that the copula used in (79) is the one that is used with locative predicates, as in (80a), and distinct from the one used with nominal predicates, illustrated in (80b).

- (80) a. a goo no baa sōhoo da  
 3SG be.at there even now EMPH  
 'it is still there even now'
- b. a ga ti noŋguru suub-ante  
 3SG IMPERF be place chose-PARTCPL  
 'it was a select place'

## 2. Verbal predicates

Clauses with nonverbal predicates constitute the exception and are apparently less frequent in usage in all languages than clauses with verbal predicates. Because further discussion of topics directly related to verbal predicates occurs elsewhere in this anthology, in the chapters on the Major Functions of the Noun Phrase (I.3, Andrews), Information Packaging in the Clause (I.8, Foley), Lexicalization Patterns (III.2, Talmy) and Passive (I.7, Keenan and Dryer), our discussion here of verbal predicates and of types of verbal clauses is in some ways more cursory – relative to the variety found among languages – than our discussion of nonverbal predicates.

### 2.1. Transitive vs. intransitive clauses

The most basic distinction among verbal predicates is perhaps that between intransitive and transitive predicates, the former taking a single argument, the latter two (or more) arguments. In many languages, like English, the distinction can be further described by saying that transitive clauses have objects while intransitive clauses do not. This requires that we distinguish transitive clauses with objects from intransitive clauses with adjuncts, illustrated respectively in (81a) and (81b).

- (81) a. My dog ate *the hamburger*.  
 b. My dog is sleeping *in the basement*.

In English, the distinction between object and adjunct is represented by the fact that adjuncts are usually marked with prepositions while objects are not. In some languages, this distinction is less clearly made grammatically, but is grounded in the idea that objects

complete the meaning of the verb in a way that adjuncts do not. Typically, for example, adjuncts can be added in any clause where they are not anomalous. Thus we can add the adjunct *in the basement* to (81a), yielding *My dog ate the hamburger in the basement*.

The grammatical criteria for distinguishing transitive and intransitive clauses may vary considerably from language to language. It is not immediately obvious, for example, whether the verb *qaki?* ‘say’ in Kutenai, illustrated in (82), is transitive or intransitive, whether the complement clause (*kumaç ni? pałkiy* ‘the woman laughed’) should be considered an object or not.

- (82) hu qaki?-ni k<sup>2</sup>umaç ni? pałkiy  
 1SG say-INDIC SUBORD=laugh the woman  
 ‘I said that the woman laughed’

But there is a verbal pronominal suffix *-(n)am* in Kutenai which indicates a nonspecific subject, which can be added only to intransitive verbs and not to transitive verbs, as in (83).

- (83) n=uwas-nam-ni  
 INDIC=hungry-NONSPEC,SUBJ-INDIC  
 ‘people were hungry’

Crucially, this suffix *can* be used on the verb *qaki?* ‘say’, as in (84), showing that this verb in Kutenai is intransitive, and thus that the complement clause with this verb is not an object.

- (84) taxas qaky-am-ni k=ç hałnuxunaqnam-nam  
 then say-NONSPEC,SUBJ-INDIC SUBORD=FUT race-NONSPEC,SUBJ  
 ‘then people said that people would have a race’

## 2.2. Ergative vs. accusative patterns

The distinction between intransitive and transitive clauses becomes more important in languages with ergative case systems, in which transitive subjects and intransitive subjects occur in different cases, transitive subjects occurring in the ergative case, intransitive subjects in the same case as objects, the absolutive case, as illustrated in (85) from Kewa (Franklin 1971), an East New Guinea Highlands language.

- (85) a. áá píra-a  
 man,ABS sit-PAST,3SG  
 ‘the man sat down’  
 b. áá-mé étaa ná-a  
 man-ERG food,ABS eat-PAST,3SG  
 ‘the man ate the food’

The absolutive case, used for the subject in (85a) and for the object in (85b), is unmarked, while the ergative case, used for the subject in (85b), is represented by the suffix *-mé*.

A crosslinguistically common property of the case system of Kewa is that the ergative case is overtly marked, while the absolutive case is a zero case. But there are also languages with ergative case marking in which both ergative and absolutive are overtly marked. For example, in Roviana (Corston 1996), an Austronesian language spoken in the



Solomons, there are overt prepositional markers for both ergative and absolutive, as illustrated in (86).

- (86) a. taloa se Zima  
 leave ABS Zima  
 'Zima left'
- b. seke-i-a e Zima se Maepeza  
 hit-TRANS-3SG,OBJ ERG Zima ABS Maepeza  
 'Zima hit Maepeza'

A more unusual ergative case-marking pattern is found in Nias (Brown 2001), an Austronesian language spoken on an island off Sumatra in Indonesia, in that the ergative case is null and the absolutive case is non-null, realized by a mutation at the beginning of the noun. This is illustrated in (87).

- (87) a. mörö n-asu  
 sleep ABS-dog  
 'the dog is sleeping'
- b. i-'inu n-idanö asu  
 3SG,ERG-drink ABS-water dog,ERG  
 'the dog is drinking the water'

In addition, (in realis mood) verbs bear prefixes representing the ergative argument, the absolutive arguments not being represented on the verb, as can be seen in these examples.

Because it is not obvious that the notions of subject and object apply to ergative case systems, many linguists compare ergative and accusative systems (ones based on the more familiar subject-object distinction) in terms of three notions A, P, and S, where the S is the single argument of an intransitive verb, the A is the more agent-like argument in a transitive clause, and the P is the more patient-like argument, as indicated for the examples in (88). (The P is often called 'O' instead. By using P we foreground the typical semantic affiliation of this grammatical function with patients in the same way that A shows its typical semantic affiliation with agents.)

- (88) a. Pat saw the cat.  
 A P
- b. The dog barked.  
 S

Note that the A need not be an agent, nor need the P be a patient, as in (88a), in which Pat is an experiencer, and not an agent in the narrow sense of something volitionally causing an event, and *the cat* is not really a patient in the narrow sense of something that is affected by the event, but rather what has been called a stimulus. But languages often treat experiencers in the same way as agents and treat the stimulus of perception verbs in the way as patients, justifying A and P as categories.

The difference between accusative languages and ergative languages can be described in terms of how they group A, P, and S. In accusative languages, S's and A's are treated one way, which we call subjects, while P's are treated distinctly, which we call objects. In ergative languages, S's and P's are treated the same, as absolutives, and A's are treated distinctly, as ergatives. These two possibilities are represented in (89).





- b. puell-a puer-um vidit  
 girl-NOM boy-ACC see,PERF,3SG  
 'the girl saw the boy'
- c. puell-a libr-um puer-o dedit  
 girl-NOM book-ACC boy-DAT give,PERF,3SG  
 'the girl gave the book to the boy'

The notions of 'direct object' and 'indirect object' are useful for characterizing languages like Latin. The category of direct object involves P and T, while indirect objects correspond to R's.

Not all languages operate in terms of direct and indirect objects; in other words, not all languages group P's and T's together and treat R's differently. A distinct pattern is found in Kunama (Thompson 1983), a Nilo-Saharan language spoken in Ethiopia, in which the R occurs with the same case marking as the P, the T occurring with distinct case marking; the examples in (96) illustrate an object suffix *-si* marking a P in (96a) and an R in (96b), while the T in (96b) is unmarked.

- (96) a. ka ita-si intike  
 man house-OBJ saw  
 'a man saw a house'
- b. dark-*oa*-m ikka-si bia išoke  
 woman-that-SUBJ son-OBJ water gave  
 'the woman gave water to her son'

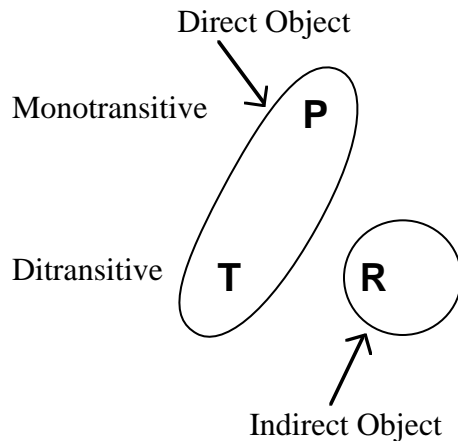
Yoruba, a Niger-Congo language spoken in Nigeria, employs a similar pattern of case marking, though in Yoruba it is the P and the R which are unmarked, while a preposition *ni* marks the T, as illustrated in (97).

- (97) a. Mo ri baba e l'ana.  
 I saw father your yesterday  
 'I saw your father yesterday'
- b. Ajaki ko Ayo ni Yoruba.  
 Ajaki taught Ayo PREP Yoruba  
 'Ajaki taught Ayo Yoruba'
- c. Mo ya a ni owo.  
 I lend him PREP money  
 'I lent him some money'

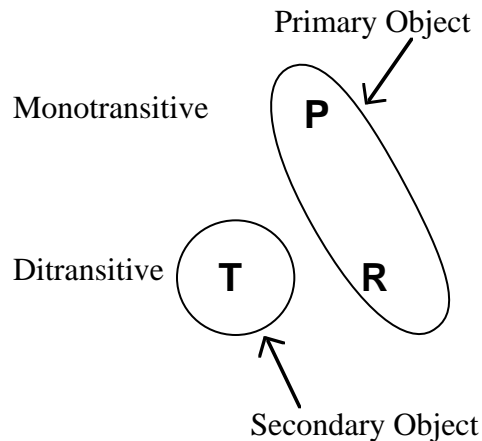
Languages like Kunama and Yoruba can be described in terms of a distinction between primary objects (P + R) and secondary objects (T). Thus, we can say that the object case in Kunama marks primary objects and that primary objects in Yoruba are unmarked, while secondary objects are marked with the preposition *ni*.

The difference between the pattern illustrated by Latin and the pattern illustrated by Kunama and Yoruba can be summarized in the diagrams in (98), similar to those in (89) to distinguish an accusative pattern from an ergative pattern.

(98) a. direct vs. indirect object



b. primary vs. secondary object



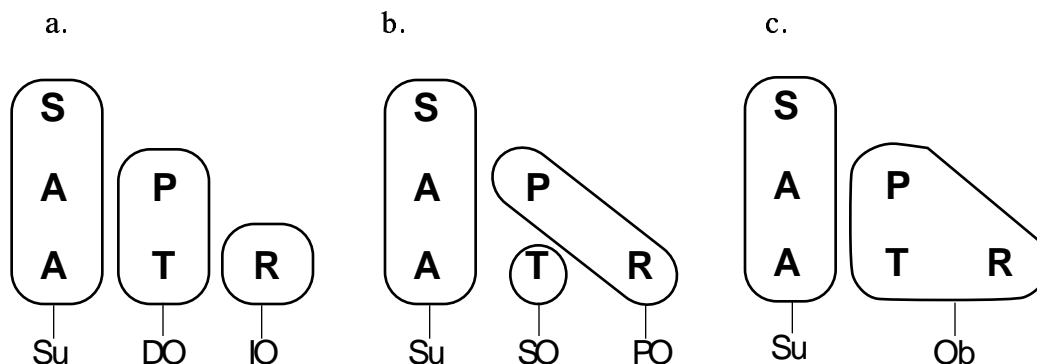
There is, in fact, a third way in which languages can group the two types of objects, namely treating them all the same way. For example, in Mising (Prasad 1991), a Tibeto-Burman language spoken in India, there is an accusative case which is used for the P in monotransitive clauses, as in (99a), and for both the R and the T in ditransitive clauses, as in (99b).

(99) a. *bī kedi-ëm dópɔ-duŋ*  
 3SG mango-ACC eat-PRES  
 P  
 'he eats mango'

b. *nɔ-kke awë-dë bulu-m kitab-dë-m bi-duŋ*  
 2SG-GEN son-ART 3PL-ACC book-ART-ACC give-PRES  
 R T  
 'your son is giving them a book'

These three possible treatments of ditransitive clauses (the two in (98) plus the possibility illustrated in (99) for Mising) interact with the contrast of accusative and ergative systems to define six possible systems. The three types just discussed illustrate the three possible types in an accusative system (where PO stands for primary object and SO stands for secondary object).

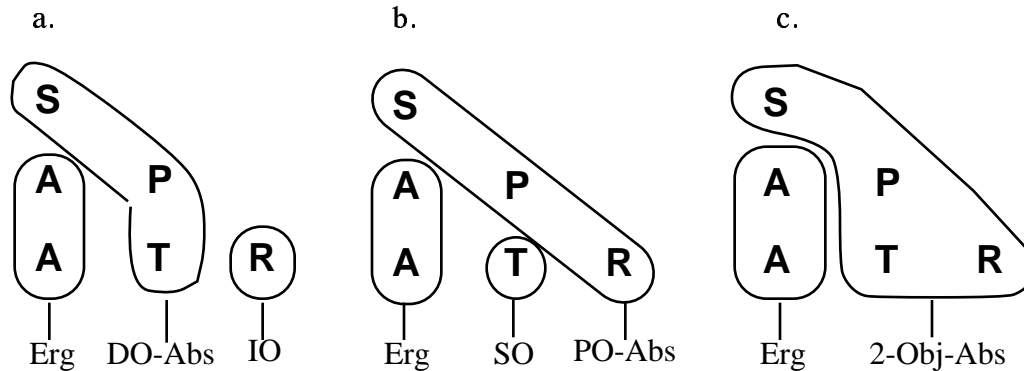
(100) Accusative Languages:



Since the languages used to illustrate the three treatments of objects (Latin, Kunama, Yoruba, and Mising) are all accusative, they also illustrate each of the three patterns in (100), namely (100a) for Latin, (100b) for Kunama and Yoruba, and (100c) for Mising.

There are three analogous possible types of ergative languages: absolutes involve the combination of S and P, but there are three possible ways, analogous to the three types in (100), in which an absolute category in a language can treat the T and the R. These are given in (101).

(101) Ergative Languages:



The three patterns shown in (101) involve three different types of absolutes: direct object absolutes, which group S's with direct objects (P & T), as in (101a); primary object absolutes, which group S's with primary objects (P & R), as in (101b); and two-object absolutes, which group S's with monotransitive objects (P's) and both objects in ditransitive clauses (both T and R), as in (101c).

The case system of Basque (Saltarelli 1988), a language isolate spoken in northern Spain and southern France, illustrates the direct object absolute pattern in (101a), as illustrated in (102).

- (102) a. katu-a      etza-n-da      d-a-go  
 cat-ABS    lie.down-PERF-ADV    3-PRES-be  
 'The cat is lying down.'
- b. ama-k      gona    gorri-a      eros-i      d-u-Ø  
 mother-ERG    skirt    red-ABS    buy-PERF    3-AUX,PRES-3SG  
 'Mother has bought a red skirt'
- c. ni-k      aita-ri      diru-a      eska-tu      d-Ø-io-t  
 1SG-ERG    father-DAT    money-ABS    ask-PERF    3-AUX-3SG-1SG  
 'I have asked father for money.'

The absolute case is used in Basque for DO-absolutes, i.e. for S's, as in (102a), for P's, as in (102b), and for T's as in (102c); the ergative case is used for A's, as in (102b) and (102c); and the dative case is used for R's, as in (102c).

The case system of Québec Inuktitut (Dorais 1978), an Eskimo-Aleut language spoken in Canada, is an instance of the primary object absolute pattern given in (101b) above.

- (103) a. Jaani- $\emptyset$  tikilir-tuq.  
 Jaani-ABS arrive-PART,3SG  
 'Jaani arrives'
- b. Jaani-up illu- $\emptyset$  taku-vaa.  
 Jaani-ERG house-ABS see-INDIC,3SG,3SG  
 'Jaani saw the house'
- c. anguti-up Jaani- $\emptyset$  aitu-paa illu-mik.  
 man-ERG Jaani-ABS give-INDIC,3SG,3SG house-SECONDARY  
 'A man gave Jaani a house'

Inuktitut differs from Basque in that the absolutive case is used in ditransitive clauses for the R rather than the T, so that we can say that it is primary objects that occur in the absolutive case in Inuktitut rather than direct objects, the pattern we saw in Basque. And whereas it is the R in Basque that occurs in a distinct case (the dative case), in Inuktitut, it is the T that occurs in a distinct case, here glossed 'secondary' (for 'secondary object').

Ngiyambaa (Donaldson 1980), a Pama-Nyungan language spoken in southeastern Australia, is an example of a language with a two-object absolutive case marking system of the sort shown in (101c), with an ergative case for A's and an absolutive case that is used, not only for S's and P's, but for *both* objects in ditransitive clauses. This is illustrated by the examples in (104).

- (104) a. dhibi bara-nha balima-ga  
 bird,ABS fly-PRES sky-LOC  
 'birds are flying in the sky'
- b. miri-gu=na bura:y gadhiy-i  
 dog-ERG=3,ABS child,ABS bite-PAST  
 'the dog bit the child'
- c. guya=ndu bura:y ŋu-nhi  
 fish,ABS=2,NOM child,ABS give-PAST  
 'you gave a child a fish'

The first words in the examples in (104b) and (104c) bear pronominal enclitics that are irrelevant here; for example =*ndu* in (104c) indicates that the subject of the clause is second person. What is crucial here is that the absolutive case in Ngiyambaa follows the two-object absolutive pattern in (101c): the absolutive case is used for S's, as in (104a), for P's, as in (104b), and for both T's and R's in ditransitive clauses, as in (104c).

## 2.4. Subtypes of intransitive clauses

The most fundamental division among intransitive clauses is the distinction between intransitive clauses with verbal predicates and clauses with nonverbal predicates, which are generally intransitive. We have dealt with clauses of the latter sort in section 1 above. However, in some languages, there are important further distinctions among intransitive clauses with verbal predicates.

### 2.4.1. Stative vs. nonstative clauses

Perhaps the most common distinction of this sort is a distinction between stative and nonstative verbs, the latter going by various labels such as eventive, process, active, or activity verbs. This distinction is a common one in languages in which there is no distinct adjective word class, but in which there is a subclass of verbs whose meaning is typically similar to that of adjectives in languages in which there is a distinct adjective word class.

For example, in Muna (Van Den Berg 1989), an Austronesian language spoken in Sulawesi in Indonesia, words corresponding to adjectives in other languages are clearly verbal. They take the same inflectional morphology as verbs, as illustrated in (105) and (106).

- |          |   |    |  |
|----------|---|----|--|
| (105) a. | no-kala<br>3SG,REALIS-go<br>'he goes'           | b. | no-ghae<br>3SG,REALIS-cry<br>'he cries'              |
| (106) a. | no-ghosa<br>3SG,REALIS-strong<br>'he is strong' | b. | no-kesa<br>3SG,REALIS-beautiful<br>'it is beautiful' |

The examples in (105) illustrate verbs denoting events with a third person singular realis prefix *no-*, and the examples in (106) show words meaning 'strong' and 'beautiful' inflecting the same way when they occur as predicates.

The example in (107) shows that when a verb modifies a noun in Muna, it must bear participial inflection (PTCPL), consisting of a prefix *mo-* and a suffix *-no*.

- (107)     anahi    mo-ghae-no  
          child   PTCPL-cry-PTCPL  
          'a child that cries'

The example in (108) shows that when words with adjectival meaning modify nouns they also take the same participial inflection.

- (108)     kalambe   mo-kesa-no  
          girl PTCPL-beautiful-PTCPL  
          'a beautiful child'

These common properties illustrate how words with adjectival meaning in Muna are grammatically verbs.

On the other hand, there are a number of properties that distinguish a subclass of stative verbs in Muna whose meaning corresponds to that of adjectives in languages like English in which a distinct adjective class exists. For example, these stative verbs undergo a morphological process that involves an intensifying prefix *mba-* and reduplication of the verb stem, as in (109).

- (109)     no-mba-ghosa-ghosa  
          3SG,REALIS-rather-strong-strong  
          'he is rather strong'



But the same process is not available for nonstative verbs, as illustrated by the ungrammaticality of (110).

- (110) \*no-mba-kala-kala  
3SG,REALIS-rather-go-go

The contrast in (109) and (110) is arguably semantic, since words indicating intensity or degree are often restricted to words denoting states, where the meaning involves a more extreme instance of the state in question, and such a meaning is not directly applicable to words denoting events with meanings like ‘go’. On the other hand, there is a second morphological process in Muna that is restricted to stative verbs for which a semantic explanation is less clear. This involves a causative prefix *feka-* illustrated in (111).

- (111) no-feka-ghosa-e  
3SG,REALIS-CAUS-strong-it  
‘he makes it strong’

Unlike morphemes indicating intensity or degree, causative morphemes are common in other languages with verbs denoting events. However, the prefix *feka-* in Muna does not occur with nonstative verbs, as illustrated by the ungrammaticality of (112).

- (112) \*no-feka-kala-e  
3SG,REALIS-CAUS-go-it  
‘he makes it go’

There is thus a distinct subclass of stative verbs in Muna and hence a distinct subclass of intransitive clauses.

#### 2.4.2. Split intransitivity

The distinction between nonverbal and verbal intransitive clauses or between stative and nonstative clauses both involve a split among intransitive clauses, but the terms ‘split intransitivity’ and ‘split-S’ are commonly applied to splits where intransitive clauses divide into two types depending on whether the single argument (the S) exhibits grammatical properties similar to those of the A in transitive clauses or to those of the P. For example, in Bukiyip (Conrad and Wogiga 1991), a Torricelli language spoken in Papua New Guinea, there are some intransitive verbs whose S is coded on the verb in the same way as the A in a transitive clause and other intransitive verbs whose S is coded on the verb like the P in a transitive clause. The examples in (113) illustrate coding on the verb for transitive verbs in Bukiyip.

- (113) a. n-a-la-tú  
3SG,MASC-REALIS-build-NC<sub>11</sub>,SG  
‘he built it (a house)’  
  
b. okok kw-a-túl-únú  
she 3SG,FEM-REALIS-see-3SG,MASC  
‘she saw him’

In both examples in (113), the verb bears a prefix indicating the person, number, and noun class of the A and a suffix indicating the same for the P. The subjects of both examples and the object of (113b) are human and vary for gender. The P in (113a) is inanimate and the suffix on the verb indicates that the P belongs to noun class 11. A third person singular

masculine A is represented by a prefix *n-*, as in (113a), while a third person singular masculine P is represented by a suffix *-(ú)nú*, as in (113b). For the majority of intransitive verbs in Bukiyip, the S will be represented on the verb by one of the prefixes used for A's in transitive clauses, as in (114), where we find the same prefix *n-* that occurs in (113a).

- (114) énan n-a-leh  
 he 3SG,MASC-REALIS-cry  
 'he cried'

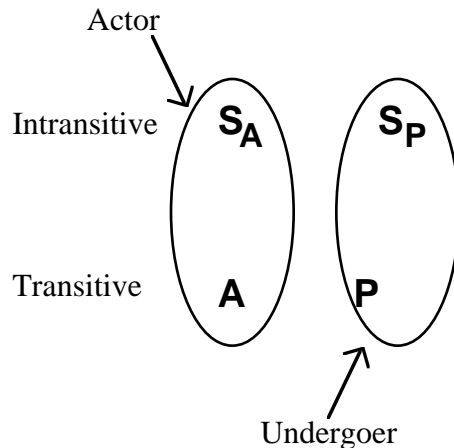
However, for a minority of intransitive verbs, their single argument is represented by the same set of suffixes that represent P's in transitive clauses. In (115), for example, we find the single argument represented by the suffix *-(ú)nú* that represented the P in (113b).

- (115) énan élgei-nú  
 he afraid-3SG,MASC  
 'he is afraid'

The verbs in Bukiyip that behave like *élgei* 'be afraid' are all ones whose single argument is not agentive and whose semantic relation to the verb is in some respects more similar to that of a P in a transitive clause. For this reason, languages like Bukiyip are sometimes described as operating in terms of agent and patient rather than subject and object.

One way to describe split intransitive languages like Bukiyip is in terms of a diagram like that in (116), which contrasts with the accusative and ergative patterns portrayed above in (89).

- (116) split intransitive (split-S) pattern



The diagram in (116) splits S into two subtypes,  $S_A$  and  $S_P$ , where  $S_A$  is those S's that behave like A's and  $S_P$  is those S's that behave like P's. The term 'actor' is sometimes applied to the union of  $S_A$  and A and the term 'undergoer' to the union of  $S_P$  and P.

Split intransitive systems most often manifest themselves in the system of pronominal marking on verbs, as in Bukiyip. In some languages, however, it is the system of case marking on noun phrases that operates in a split intransitive fashion. An example of such a language is Hunzib (Van Den Berg 1995), a Dagestani language spoken in the Caucasus region in Russia. The example in (117a) illustrates a transitive clause, with overt case marking on the A and zero marking on the P; the example in (117b) illustrates zero marking

on an S; the example in (117c) illustrates an S with the same actor marking that occurs on the A in (117a).

- (117) a. *iyu-l*                      *hara* *b-oho-r*  
 mother-ACTOR      cow      NC<sub>4</sub>-feed-PRET  
 ‘mother fed the cow’
- b. *ože* *uť-ur*  
 boy      sleep-PRET  
 ‘the boy slept’
- c. *hara-l*                      *heļe-r*  
 cow-ACTOR      moo-PRET  
 ‘the cow mooed’

Languages differ as to the basis of the split among S’s. In Hunzib, for example, there are only ten intransitive verbs that take arguments with actor case-marking, while all other intransitive verbs take arguments with undergoer case. These ten verbs are all verbs associated with bodily actions or noises. In most languages, there seems to be some semantic principle related to volitionality or stativity underlying the split, though ultimately the distinction seems to be lexical in that it is not entirely predictable whether the S of a particular intransitive verb will be an S<sub>A</sub> or an S<sub>p</sub>. While the terms ‘actor’ and ‘undergoer’ are sometimes used in a purely semantic sense distinct from the grammatical patterns found in particular languages, the terms are also sometimes used as labels for categories that occur in particular split intransitive languages. Using the terms in this way, we can say that languages differ in the apparent semantic principle underlying the split. In many languages, the split is related to volitionality, volitional arguments appearing grammatically as actors, nonvolitional arguments as undergoers. This is the case, for example, in Choctaw (Davies 1986), a Muskogean language spoken in the United States. The examples in (118) illustrate the pronominal marking in transitive clauses in Choctaw.

- (118) a. *chi-pisa-li-tok*  
 2SG,UNDERGOER-see-1SG,ACTOR-PAST  
 ‘I saw you’
- b. *is-sa-sso-tok*  
 2SG,ACTOR-1SG,UNDERGOER-hit-PAST  
 ‘you hit me’

The examples in (118) illustrate two different affixes for first person singular arguments, on a suffix, the other a prefix: the example in (118a) illustrates the first person singular actor suffix *-li*, while the example in (118b) illustrates the first person singular undergoer prefix *sa-*. Intransitive verbs differ as to which of these two affixes occur when their argument is first person singular. The example in (119a) shows a first person singular intransitive actor, represented by the suffix *-li*, while the example in (119b) shows a first person singular intransitive undergoer, represented by the prefix *sa-*.

- (119) a. *bali:li-li-tok*    b. *sa-cha:ha*  
 run-1SG,ACTOR-PAST    1SG,UNDERGOER-tall  
 ‘I ran’    ‘I am tall’

The two verbs in (119) differ in two ways: the verb meaning ‘run’ in (119a) denotes an event and its argument is volitional, while the verb meaning ‘tall’ in (119b) denotes a state

and its argument is nonvolitional. It is common in languages with split intransitive system for volitional arguments of event verbs to be actors and for nonvolitional arguments of stative verbs to be undergoers. But languages differ in their treatment of nonvolitional arguments of event verbs. Perhaps the more common pattern is that found in Choctaw, in which such verbs take undergoers, showing that volitionality is the primary semantic factor, as shown in (120), where we find the undergoer prefix *sa-* rather than the actor suffix *-li*.

- (120) a. *sa-ttola-tok*  
1SG,UNDERGOER-fall-PAST  
'I fell'
- b. *sa-habishko*  
1SG,UNDERGOER-sneeze  
'I sneezed'

Different semantic factors are apparently relevant to Apurinã (Facundes 2000), an Arawakan language spoken in Brazil. Actors and undergoers in Apurinã are distinguished by the position of pronominal prefixes on the verb: actors are represented by prefixes, while undergoers are represented by suffixes. Both of these are illustrated by the example with a transitive verb in (121).

- (121) *n-arika-ru*  
1SG,ACTOR-set.on.fire-3SG,MASC,UNDERGOER  
'I set it on fire'

Intransitive verbs in Apurinã differ as to which of these two sets of affixes they occur with. In (122a), we see an actor prefix representing the volitional argument of an intransitive event verb, while in (122b), we see an undergoer suffix representing the nonvolitional argument of an intransitive stative verb.

- (122) a. *nu-muteka*  
1SG,ACTOR-run  
'I run'
- b. *hareka-no*  
good-1SG,UNDERGOER  
'I am good'

In Apurinã, the nonvolitional argument of an event verb is invariably an actor, even when nonvolitional, as in the two examples in (123).

- (123) a. *nh-iri*  
1SG,ACTOR-fall  
'I fell down'
- b. *o-pö-p*  
3SG,FEM,ACTOR-die-IMPERF  
'she died'

Furthermore, there are many stative verbs which take actors rather than undergoers, as in (124).

- (124) a. *nu-sāpaka*  
1SG,ACTOR-tired  
'I am tired'
- b. *nhi-inhikaka*  
1SG,ACTOR-feel.hot  
'I feel hot'

Further examination would be necessary to determine whether there is some semantic basis to the contrast between those stative verbs in Apurinã which take undergoers and those which take actors.

Other semantic factors are at play in other languages. In Taba (Bowden 1997), an Austronesian language spoken in eastern Indonesia, the choice of actor versus undergoer in intransitive clauses is partly sensitive to the animacy of the argument. In Taba, actors are represented on the verb by proclitics, while undergoers are generally not represented on the verb. A simple transitive clause is given in (125), illustrating SVO order for transitive

clause, and illustrating a prefix on the verb for the actor, but no marking on the verb for the undergoer.

- (125) Ahmad n-pun kolay  
 Ahmad 3SGACTOR-kill snake  
 'Ahmad killed a snake'

In addition, independent pronouns, if present, precede the verb when they are actors, but follow when they are undergoers, like full noun phrases in these roles. This is illustrated for transitive clauses in (126): (126a) illustrates an independent pronoun *am* 'we, exclusive' functioning as a transitive actor preceding the verb, while (126b) illustrates an independent pronoun *i* 'third person singular' functioning as a transitive undergoer following the verb.

- (126) a. am a-tala motor la-we  
 1PL,EXCL 1PL,EXCL-meet boat sea-ESSIVE  
 'we (exclusive) met the boat by the sea'
- b. ni mamasi n-wet i  
 3SG,POSS mother 3SG,ACTOR-hit 3SG  
 'his mother hit him'

Analogous intransitive examples are given in (127): in (127a), the argument is an actor and is represented both by an independent pronoun preceding the verb and by a proclitic on the verb, while in (127b), the argument is an undergoer and is represented only by an independent pronoun following the verb.

- (127) a. i n-tagil ndara b. kawail i  
 3SG 3SG,ACTOR-walk too.much tired 3SG  
 'he walks too much' 'he is tired'

In some cases in Taba, the choice of actor versus undergoer is sensitive to the animacy of the argument, as in (128).

- (128) a. n-ha-mlongan b. ubang da mlongan  
 3SG,ACTOR-CAUS-long fence that long  
 'he is tall' 'that fence is long'

The verb *mlongan* 'long' in Taba is basically an undergoer intransitive verb, and this use is illustrated in (128b). However, there is a productive process in Taba whereby what is otherwise the causative prefix combines with an undergoer intransitive verb to yield an actor intransitive verb. This is illustrated in (128a), where we find a causative prefix on the verb, but also an actor prefix, illustrating how the argument is an actor in (128a) but an undergoer in (128b). Although both verbs in (128) basically mean 'be long', the one that takes an actor is generally used with humans while the one that takes an undergoer is generally used with nonhumans.

In some languages, issues of split intransitivity extend to clauses with nonverbal predicates. For example, in Kambera (Klamer 1998), another Austronesian language of eastern Indonesia, nominal and locative predicates are among the class of intransitive predicates that take undergoer clitics for their single argument: (129a) illustrates a transitive clause with a third person actor proclitic *na-* and a third person undergoer enclitic *-ya*; (129b) shows an intransitive clause with the single argument represented by the actor proclitic *na-*; (129c) and (129d) show intransitive clauses with nominal and locative



Most other languages employ one of four alternative strategies for expressing such meanings.

Some languages employ a strategy that is similar to English, except that instead of a semantically nonreferential independent pronoun as subject, they employ a semantically nonreferential third person singular form of a verb. As in English, these clauses look like normal intransitive clauses, except that such clauses cannot take an independent noun phrase as subject and the third person singular affix is nonreferential with these verbs but referential with normal intransitive verbs. For example, in *Tukang Besi* (Donohue 1996), an Austronesian language of Indonesia, 'it is raining' is expressed by a single word, as shown in (132).

(132) no-wande  
3,REALIS-rain  
'it is raining'

And just as in English, it is not possible to add any noun as subject, as shown in (133).

(133) \*no-wande            na        wande / langi / lono / 'oloo  
3,REALIS-rain        NOM    rain / sky / cloud / day  
'it's raining'

However, unlike English, it is not possible to have a third person singular independent pronoun meaning 'it' as subject, as shown in (134).

(134) \*no-wande            na        ia  
3, REALIS-rain        NOM    it  
'it is raining'

But the form in (132) does look superficially like a normal intransitive clause expressed entirely by the verb, as in (135).

(135) no-tinti  
3,REALIS-run  
'she is running'

A second strategy for expressing the meanings of clauses like those in (130) is by means of a referential subject. In *Bukiyip*, for example, clauses referring to raining involve a subject noun meaning 'rain', as illustrated in (136).

(136) echah    h-a-lali  
rain        NC<sub>13</sub>-REALIS-rain  
literally 'rain rains'

In these languages, such clauses are really intransitive (rather than zero-intransitive) since the subject is referential.

A third strategy is employed in languages in which there is no overt expression of any argument, in which there can be no separate pronoun or noun as subject and the verb does not inflect for any argument. An example is given in (137) from *Tahitian* (Tryon 1970), an Austronesian language spoken on the island of Tahiti in the Pacific.

- (137) 'e ūa  
fut rain  
'it will rain'

A fourth strategy is to use a noun meaning 'rain' by itself without any accompanying word, as in Tawala (Ezard 1997), an Austronesian language spoken in Papua New Guinea, as in (138).

- (138) gadiwewe  
rain(NOUN)  
'There is rain'

This is really an instance of an existential clause of the sort illustrated above in (62) for Tolai, which consists simply of a noun phrase denoting that which exists.

Zero-intransitive clauses in Tolai (Mosel 1984) superficially look like English clauses in having a third person singular pronoun, as in (139).

- (139) i ga bata  
3SG PAST rain  
'it rained'

However, the pronominal word *i* in (139) is an agreement pronoun that is in the verb phrase and not in subject position, in contrast to the *it* in English *it is raining*: this agreement pronoun in Tolai co-occurs with a noun phrase in subject position, as in (140).

- (140) nina ra tutana i ga mait  
that DEF man 3SG PAST sick  
'that man was sick'

In other words, the agreement pronoun is more analogous to an agreement affix, except that it is a separate word. Thus, this should probably be viewed as a subcase of the strategy illustrated above in (132) for *Tukang Besi*, in which there is a pronominal marking on the verb, rather than like English, in which there is a marking in the position of syntactic subjects.

While perhaps the most common sort of zero-intransitive clause are ones involving environmental conditions, many languages also use them for expressions of time, as in the *Kutenai* and *Awa Pit* examples in (141a) and (141b) respectively.

- (141) a. k=wałkwayit-s,                      ła łaax-i                      ɦkam-nińtik  
SUBORD=be.evening-OBV                      back arrive-INDIC                      child-PLUR  
'when evening came, the children arrived back'
- b. nash-miz-i  
be.afternoon-INCEP-NONLOCUT  
'it is getting late'

In both of these cases, a verb is used, but one which does not take any arguments semantically. The verb for 'be evening' in *Kutenai* in (141a) does take inflection for an obviative subject, a category of inflection that indicates that the subject of that verb is different from the subject of verbs in the surrounding discourse lacking obviative inflection, so that at some grammatical level we may want to say that this clause has a subject; however, this subject can only be realized phonologically by an affix on the verb,



not by a separate noun phrase, as is possible with the nonreferential subject *it* in English *it is raining*.

## 2.5. Semi-transitive clauses

The distinction between intransitive and transitive clauses is in principle a straightforward one: intransitive clauses contain a single argument, while transitive clauses contain two or more. In many languages, however, there are some clauses that do not fall easily into one or the other of these two categories, where they behave in some ways like intransitive clauses, but in other ways like transitive clauses. Most often the verbs in such clauses have two arguments semantically, but neither is an agent in the narrow sense of someone or something that volitionally causes the event denoted by the verb.

One sort of semi-transitive clause is found in Koyraboro Senni (Heath 1999), where objects of transitive verbs normally immediately precede the verb, without any case marking, as in (142). (The second word in (142), *na* ‘transitive’, occurs in a slot otherwise filled by tense-aspect-mood particles that immediately follow the subject in Koyraboro Senni.)

- (142) a    *na*        *ham*    *ɲaa*  
           3SG TRANS meat eat  
           ‘he ate meat’ (Heath 1999: 165)

Nonarguments, in contrast, follow the verb and are typically marked with a postposition, as in (143).

- (143) a    *koy*    *koyr-aa*        *ra*  
           3SG go town-DEF,SG LOC  
           ‘he went to the city’ (p. 137)

There are a minority of verbs, however, which involve two arguments semantically, but where the nonsubject argument follows the verb, without being marked with any preposition or postposition, as in (144) (from Prost 1956).

- (144) a.    *a*        *ga*                *ba*    *agey*  
           3SG INCOMPL like 1SG  
           ‘she likes me’
- b.    *ay*    *di*    *né*    *wand-o*  
           1SG see 2SG wife-DEF  
           ‘I saw your wife’
- c.    *ay*    *ga*                *humbur*    *hans-o*  
           1SG INCOMPL fear        dog-DEF  
           ‘I am afraid of the dog’
- d.    *i*        *ga*                *hima*        *kyer-ey*  
           3PL INCOMPL resemble each.other-PLUR  
           ‘they resemble each other’

On the one hand, these clauses are not like normal transitive clauses in that there is no object noun phrase preceding the verb. On the other hand, they are not like typical

intransitive clauses: not only do they have two arguments semantically, but the nonsubject argument, though following the verb, is not marked with a preposition. These clauses are neither straightforwardly transitive nor straightforwardly intransitive. A useful label for clauses of this sort is semi-transitive. In a sense they behave more transitively than normal intransitive clauses and less transitively than normal transitive clauses. It is worth noting that none of the subjects in (144) are agents in the narrow sense; the subjects in (144a), (144b), and (144c) are all experiencers of some sort and the subject in (144d) is a patient/theme. The same is true of other verbs in Koyraboro Senni that behave in this way and is a typical feature of semi-transitive clauses in other languages.

Djaru (Tsunoda 1981), a Pama-Nyungan language of northwestern Australia, exhibits a number of distinct types of semi-transitive clauses. The normal pattern for intransitive and transitive clauses is exhibited in (145), with a zero absolutive case for S's and P's and an overt ergative case for A's.

- (145) a. mawun      jan-an  
           man,ABS    go-PRES  
           'the man goes'
- b. mawun-du    ɲaŋ-an      ɖaɖi  
           man-ERG    see-PRES    kangaroo,ABS  
           'a man sees a kangaroo'

However, there is a class of verbs which take two arguments semantically, whose A occurs in the ergative case, but whose P occurs in the dative case, as in (146).

- (146) mawun-da      ɲa-la                              ɖaɖi-wu              muwu wuŋ-an  
           man-ERG            CLITIC.HOST-3SG,DAT      kangaroo-DAT      search-PRES  
           'a man is looking for a kangaroo'

The case marking in (146) is anomalous in that the ergative case is otherwise not possible in Djaru unless there is an absolutive in the same clause.

A second type of semi-transitive clause in Djaru involves a verb which takes two arguments semantically but which takes one argument grammatically in the absolutive case, the other in the dative or locative cases, as in (147).

- (147) jambagina    ɲa-ɲanda                              juwa maŋ-an              guŋar-a  
           child,ABS            CLITIC.HOST-3SG,LOC      be.afraid-PRES      dog-LOC  
           'a child is afraid of a dog'

Clauses like (147) are grammatically identical to intransitive clauses containing a locative nominal in Djaru, differing only in that the locative-marked nominal is semantically an argument of the verb.

The third type of semi-transitive clause in Djaru is anomalous in that it contains two arguments that are both marked absolutive, as in (148).

- (148) mawun      ɖaru              maŋ-an  
           man,ABS    Djaru,ABS      talk-PRES  
           'a man talks Djaru'

The absolutive form of *mawun* 'man' in (148) suggests that it is being treated as an S and that the clause is intransitive. The absolutive form of *ɖaru* 'Djaru' suggests that it is being



The examples above illustrate semi-transitive clauses where this type of clause is determined by specific lexical items. One also finds instances of what one could call semi-transitive clauses in grammatically determined contexts. For example, Yukulta (Keen 1983), a Tangkic language spoken in northern Australia, generally exhibits ergative case marking, as in (151).

- (151) *taŋka-ya-kari*                      *ŋawu*              *pałata*  
 man-ERG-PRES,TRANS              dog,ABS              hit  
 'the man is hitting the dog'

(The final morpheme *-kari* in the first word in (151) is a tense clitic that attaches to the first word in the sentence; this form is used in transitive clauses.) Compare (151) with the corresponding negative sentence in (152), in which the A is in the absolutive case and the P is in the dative case.

- (152) *walira-ŋka*                      *taŋka-ɾa*              *ŋawu-ŋta*              *pałata*  
 neg-PRES,INTRANS              man-ABS              dog-DAT              hit  
 'the man is not hitting the dog'

This type of semi-transitive clause is parallel to that illustrated above for Djaru in (147), except that here it is grammatically conditioned rather than lexically determined: negative clauses all follow the semi-transitive pattern.

It should be said that semi-transitive clauses are probably not a well-defined crosslinguistic category, in contrast to intransitive clauses and transitive clauses. Rather, in designating these clauses as semi-transitive, nothing is intended beyond observing that they exhibit properties that fall in between those of normal intransitive and transitive clauses. It may well be that in some languages, there is a good analysis of semi-transitive clauses that accounts for their properties, but that the best analysis will vary from language to language. The label 'semi-transitive' indicates nothing more than the fact that the clauses so designated are problematic as far as the traditional distinction between intransitive and transitive clauses is concerned.

## 2.6. Clauses with derived verbs

Our comments in this section will be very brief, since the topic of this section is dealt with in greater detail in other chapters in this anthology. We have restricted discussion of the various types of verbal clauses in this chapter to clauses involving *basic* verbs rather than ones involving some sort of derivation that might result in a clause of a different sort. For example, passive clauses can be thought of as derived in some sense, whether one thinks of it as deriving passive clauses from active clauses, passive VP's from active VP's, or passive verbs from active verbs. Passive constructions are discussed in the chapter on Passives (I.7). Other sorts of constructions involving derived verbs include antipassive constructions, noun incorporation, causative constructions (discussed in the chapter on Causatives (III.7)), and applicative constructions. A number of these constructions are discussed at length in the chapter on Information Packaging in the Clause (I.8).

## Suggestions for Further Reading

Two detailed books on nonverbal clauses are Hengeveld (1992) and Stassen (1997). There is an extensive literature on case and grammatical relations that is relevant to the topic of different verbal clause types. Among the basic sources are Blake (1990, 1994), Palmer (1994), and Chapter 6 of Van Valin and LaPolla (1997). A number of chapters in this anthology discuss issues related to this, including the chapters on the Major Functions of the Noun Phrase by Andrews and Information Packaging in the clause by Foley. There is also an extensive literature on ergativity, including Dixon (1994). On split intransitivity, see Merlan (1985) and Mithun (1991).

## References

- Asher, R. E., and T. C. Kumari. 1997. *Malayalam*. London: Routledge.
- Austin, Peter. 1981. *A Grammar of Diyari, South Australia*. Cambridge: University Press.
- Blake, Barry J. 1990. *Relational Grammar*. London: Routledge.
- Blake, Barry J. 1994. *Case*. Cambridge: Cambridge University Press.
- Borgman, Donald M. 1990. Sanuma. In Desmond C. Derbyshire and Geoffrey K. Pullum, eds., *Handbook of Amazonian Languages 2*, pp. 15-248. Berlin: Mouton de Gruyter.
- Bowden, John. 1997. *Taba (Makian Dalam): Description of an Austronesian Language of Eastern Indonesia*. University of Melbourne Ph.D. Thesis.
- Brown, Lea. 2001. *A Grammar of Nias Selatan*. University of Sydney Ph.D. Dissertation.
- Chhange, Lalnunthangi. 1989. The grammar of simple clauses in Mizo. In David Bradley, ed., *South-East Asian Syntax*, Pacific Linguistics, Series A, No. 77 (Papers in South-East Asian Linguistics, No. 11). Canberra: Australian National University.
- Conrad, Robert J., and Kepas Wogiga. 1991. *An Outline of Bukiyip Grammar*. Pacific Linguistics, Series C, No. 113. Canberra: The Australian National University.
- Corston, S. H. 1996. *Ergativity in Roviana, Solomon Islands*. Pacific Linguistics, Series B, No. 113.
- Curnow, Timothy J. 1997. *A Grammar of Awa Pit (Cuaiquer): An Indigenous Language of South-western Colombia*. Australian National University Ph.D. Thesis.
- Davies, William D. 1986. *Choctaw Verb Agreement and Universal Grammar*. Dordrecht: D. Reidel Pub. Co.
- De Vries, Lourens. 1993. *Forms and Functions in Kombai, an Awyu Language of Irian Jaya*. Pacific Linguistics, Series B, No. 108.

- Diessel, Holger. 1999. *Demonstratives: Form, Function and Grammaticalization*. Amsterdam: John Benjamins.
- Dixon, Robert M. W. 1994. *Ergativity*. Cambridge: Cambridge University Press.
- Donaldson, Tamsin. 1980. *Ngiyambaa: The Language of the Wangaaybuwan*. Cambridge: University Press.
- Donohue, Mark. 1995. *The Tukang Besi Language of Southeast Sulawesi, Indonesia*. Australian National University Ph.D. Thesis.
- Dorais, Louis J. 1978. *Lexique Analytique du Vocabulaire Inuit Moderne au Quebec-Labrador*. Québec: Presses de l'Université Laval.
- Ezard, Brian. 1997. *A Grammar of Tawala, An Austronesian Language of the Milne Bay Area, Papua New Guinea*. Pacific Linguistics, Series C, No. 137. Canberra: Australian National University.
- Facundes, Sidney Da S. 2000. *The Language of the Apurinã People of Brazil (Maipure/Arawakan)*. State University of New York at Buffalo Ph. D. Dissertation.
- Fortescue, M. 1984. *West Greenlandic*. Croom Helm Descriptive Grammars. Dover, New Hampshire: Croom Helm.
- Frachtenberg, Leo J. 1922. Coos. In Franz Boas, ed., *Handbook of American Indian Languages, Part II*, Smithsonian Institution Bureau of American Ethnology Bulletin 40, pp. 297-429. Washington: Government Printing Office.
- Franklin, Karl James. 1971. *A Grammar of Kewa, New Guinea*. Pacific Linguistics, Series C, No. 16. Canberra: Australian National University.
- Green, M. M., and G. E. Igwe. 1963. *A Descriptive Grammar of Igbo*. London: Oxford University Press.
- Grimes, Charles E. 1991. *The Buru Language of Eastern Indonesia*. Australian National University Ph.D. Thesis.
- Gudai, Darmansyah. 1988. *A Grammar of Maanyan, A Language of Central Kalimantan*. Australian National University Ph.D. Thesis.
- Heath, Jeffrey. 1999. *A Grammar of Koyraboro (Koroboro) Senni*. Köln: Rüdiger Köppe Verlag.
- Hengeveld, Kees. 1992. *Non-verbal Predication: Theory, Typology, Diachrony*. Berlin: Mouton de Gruyter.
- Hoskison, J.T. 1983. *A Grammar and Dictionary of the Gude Language*. The Ohio State University, Ph.D. Dissertation.
- Jauncey, Dorothy. 1997. *A Grammar of Tamambo, the Language of Western Malo*. Australian National University Ph.D. Thesis.

- Keen, Sandra. 1983. Yukulta. In R.M. W. Dixon and Barry J. Blake, eds., *Handbook of Australian languages* 3. Amsterdam: John Benjamins B. V.
- Klamer, Marian. 1998. *A Grammar of Kambara*. Berlin: Mouton de Gruyter.
- Lee, Kee-Dong. 1975. *Kusaiean Reference Grammar*. Honolulu: The University Press of Hawaii.
- Louwerse, J. 1988. *The Morphosyntax of Una in Relation to Discourse Structure*. Pacific Linguistics, Series B, No. 100. Canberra: The Australian National University.
- Macauley, Monica. 1996. *A Grammar of Chalcatongo Mixtec*. University of California Publications in Linguistics 127. Berkeley: University of California Press.
- Mazaudon, Martine. 1976. Typological sketch of Tamang. Handout used in presentation at UCLA, 1976.
- McGregor, William. 1990. *A Functional Grammar of Gooniyandi*. Amsterdam: John Benjamins.
- McLendon, Sally. 1975. *A Grammar of Eastern Pomo*. Berkeley: University of California Press.
- Merlan, Francesca. 1982. *Mangarayi*. Lingua Descriptive Studies 4. Amsterdam: North-Holland.
- Merlan, Francesca. 1983. *Ngalakan Grammar, Texts, and Vocabulary*. Pacific Linguistics, Series B, No. 89. Canberra: Australian National University.
- Merlan, Francesca. 1985. Split intransitivity: functional oppositions in intransitive inflection. In Johanna Nichols and Anthony Woodbury, eds., *Grammar Inside and Outside the Clause*, pp. 324-362. Cambridge: Cambridge University Press.
- Mithun, Marianne. 1991. Active/agentive case marking and its motivations. *Language* 67: 510-546.
- Mosel, Ulrike. 1984. *Tolai Syntax and its Historical Development*. Pacific Linguistics, Series B, No. 92. Canberra: The Australian National University.
- Nedjalkov, Igor. 1996. *Evenki*. London: Routledge.
- Noonan, Michael. 1992. *A Grammar of Lango*. Berlin: Mouton de Gruyter.
- Nordlinger, Rachel. 1998. *A Grammar of Wambaya, Northern Territory (Australia)*. Pacific Linguistics, Series C, No. 140. Canberra: Australian National University.
- Oates, Lynette F. 1988. *The Muruwari Language*. Pacific Linguistics, Series C, No. 108. Canberra: The Australian National University.
- Palmer, F. R. 1994. *Grammatical Roles and Relations*. Cambridge: Cambridge University Press.

- Prasad, Bal Ram. 1991. *Mising Grammar*. Mysore, India: Central Institute of Indian Languages.
- Prost, R. P. A. 1956. *La Langue Sonay et ses Dialectes*. Memoires de l'Institut Français d'Afrique Noire 47. Dakar.
- Rangan, K. 1979. *Purki Grammar*. Manasagangotri, Mysore: Central Institute of Indian Languages.
- Rennison, John R. 1997. *Koromfe*. London: Routledge.
- Rice, Keren. 1989. *A Grammar of Slave*. Berlin: Mouton de Gruyter.
- Rupp, James E. 1989. *Lealao Chinantec Syntax*. Studies in Chinantec Languages 2. Summer Institute of Linguistics and the University of Texas at Arlington.
- Saltarelli, Mario. 1988. *Basque*. Croom Helm Descriptive Grammars London: Croom Helm.
- Schaub, Willi. 1985. *Babungo*. Croom Helm Descriptive Grammars. Dover, New Hampshire: Croom Helm.
- Seidenadel, Carl Wilhelm. 1909. *The First Grammar of the Language Spoken by the Bontoc Igorot with Vocabulary and Texts*. Chicago: Open Court Publishing Co.
- Seiler, Walter. 1985. *Imonda, a Papuan Language*. Pacific Linguistics, Series B, No. 93. Canberra: The Australian National University.
- Sridhar, S. N. 1989. *Kannada: Descriptive Grammar*. London: Routledge.
- Stassen, Leon. 1997. *Intransitive Predication*. Oxford: Clarendon Press.
- Sulkala, Helena, and Merja Karjalainen. 1992. *Finnish*. London: Routledge.
- Thompson, E. D. 1983. Kunama: phonology and noun phrase. In M. L. Bender, ed., *Nilo-Saharan Language Studies*, pp. 280-322. East Lansing: African Studies Center, Michigan State University.
- Tryon, Darrell T. 1970a. *Conversational Tahitian*. Berkeley: University of California Press.
- Tsunoda, Tasaku. 1981. *The Djaru Language of Kimberley, Western Australia*. Pacific Linguistics, Series B, No. 78. Canberra: Australian National University.
- Tucker, A. N. 1940/1967. *The Eastern Sudanic Languages, Volume I*. London: Dawsons of Pall Mall, for the International African Institute.
- Van den Berg, Helma. 1995. *A Grammar of Hunzib*. Munich: Lincom Europa.
- Van den Berg, René. 1989. *A Grammar of the Muna Language*. Dordrecht: Foris.
- Van Enk, Gerrit J., and Lourens De Vries. 1997. *The Korowai of Irian Jaya: Their Language in its Cultural Context*. New York: Oxford University Press.



- Van Valin, Robert D., and Randy J. LaPolla. 1997. *Syntax: Structure, Meaning, and Function*. Cambridge: Cambridge University Press.
- Walsh, Michael. 1976. *The Muɨnypata Language*. Australian National University Ph.D. Thesis.
- Weber, David John. 1989. *A Grammar of Huallaga (Huánaco) Quechua*. Univ. of California Publications in Linguistics 112 Berkeley: University of California Press.
- Wolfart, H. Christoph, and Janet Carroll. 1981. *Meet Cree*. Second Edition. Edmonton: University of Alberta Press.
- Wolff, John V. 1966. *Beginning Cebuano, Part 1*. New Haven: Yale University Press.