

# User's Manual

## USB 2.0 7-Port Hub

*Item No.: UH697*

### **Safety Instructions :**

Always read the safety instructions carefully

- ▣ Keep this user's manual for future reference
- ▣ Keep this equipment away from humidity
- ▣ Lay this equipment on a reliable flat surface before setting it up
- ▣ If any of the following situation arises, get the equipment checked by a service technician:
  - The equipment has been exposed to moisture
  - The equipment has been dropped and damaged
  - The equipment has obvious sign of breakage
  - The equipment has not working well or you cannot get it work according to this user's manual.

### **Introduction :**

Thank your for purchasing the USB 2.0 7-Port Hub. This easy plug and play external device is a full featured Universal Serial Bus Hub. It allows your computer to connect to USB interfaces joysticks, modem, digital speakers, printers, digital cameras, monitors, and many other USB devices. Moreover, this unique hub is designed for space-saving functions.

### **Features :**

1. Compliant with both Universal Serial Bus Specification Revision 2.0 (Data Rate 1.5/ 12/ 480 Mbps) and Revision 1.1 specification.
2. Bus-power and self-power mode used.
3. Includes 1 upstream and 7 downstream USB ports.
4. 1 LED indicator for power-on LED.
5. 7 LED indicators for downstream port status.
6. Plug and play.

7. Over-current detection and protection.
8. Connects up to 127 USB devices.
9. OS driver support: Win98SE/Win ME /Win 2000/Win XP & Mac 10.1 and up.
10. Plug and play.

### Specification :

<b>Ports</b>	Seven downstream port and one upstream port
<b>Compliance</b>	FCC regulations for home or office use CE emissions
<b>Power</b>	Self Power: 5V 4.0A Adapter: Input: 100~240v 50Hz-60Hz Output: 5V 4.0A
<b>Storage Temperature</b>	-10~80°C
<b>Working Temperature</b>	0~40°C

### Supported O.S.:

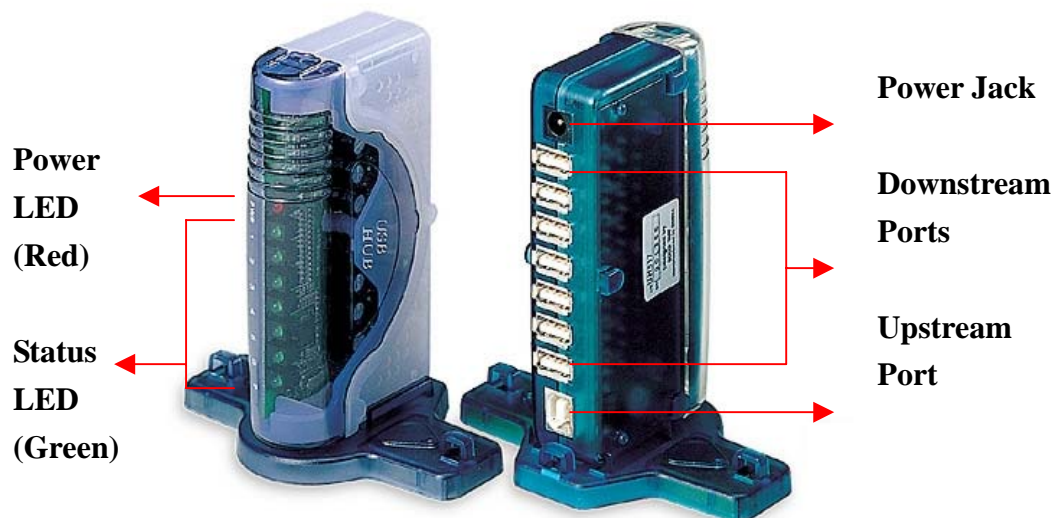
Functions O.S.	USB 2.0 7-Port HUB	
	USB 1.1	USB 2.0
Win 98se	Built in OS	Follow USB 2.0 system driver
Win ME	Built in OS	Follow USB 2.0 system driver
Win 2000	Built in OS	Follow USB 2.0 system driver
Win XP	Built in OS	Follow USB 2.0 system driver
Mac	Built in OS	Follow USB 2.0 system driver

#### Remark:

1. If you connect this hub to PC or Mac, which system ( USB port, PCI card or hub ) is version 2.0, it will ask for the system's USB 2.0 driver
2. This hub doesn't support Hi-Power device at bus power mode, please add an adapter as necessary.

## Hardware Installation :

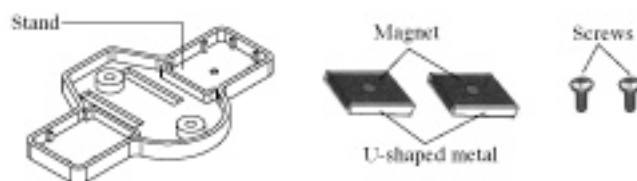
1. Plug the included AC power adapter into the power jack at the rear of the USB 7 port hub and an electrical outlet.
2. Plug the B-type connector into a upstream port
3. Plug the A-type connector into a computer or USB hub downstream port
4. Connects USB devices or hubs to the 7 port hub's downstream 1 ~ 7 ports.



## Using the USB Hub Stand :

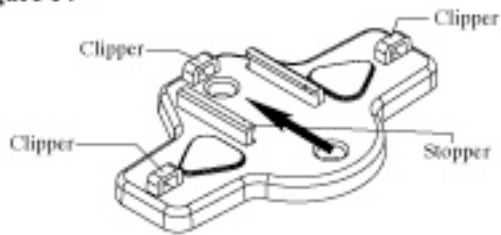
There are 7 ways to set up this USB hub stand, which includes vertically, horizontally, fasten magnetically, and fasten screws. Furthermore, it is stackable with USB hubs as well.

### Stand and Magnet



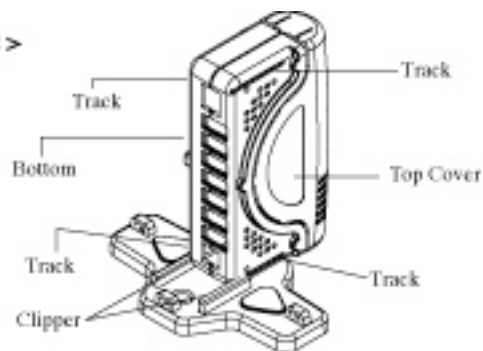
## A. Vertically

< Figure 1 >



1. Push the USB Hub from A all the way down until you meet the stopper. (Refer to **Figure 1**)

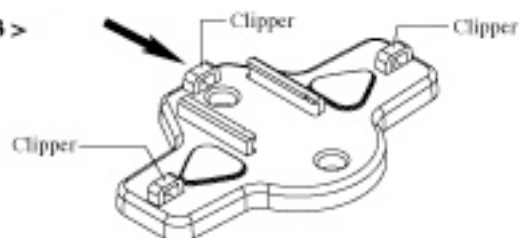
< Figure 2 >



2. Push the USB Hub all the way in until you hear a click. There is a track on both the top and the bottom so you can put it either way depending on your situation. (Refer to **Figure 2**)

## B. Horizontally

< Figure 3 >

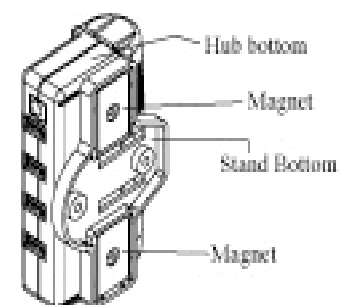


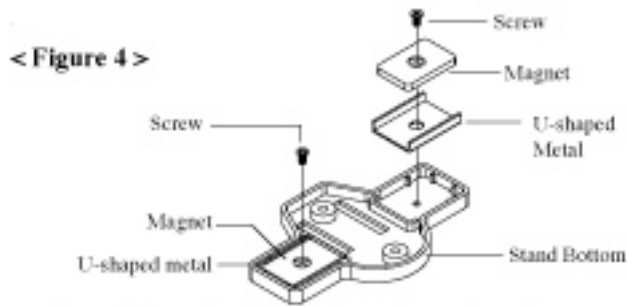
1. Have the hole of the stand facing up and push the clipper to the hole of the hub between the stand-off. Make sure you here a click. You could push the stand in from the left or the right. (Refer to **Figure 3**)

## C. Fasten Magnetically

You can secure the USB Hub on the computer table or steel frame.

< Figure 5 >



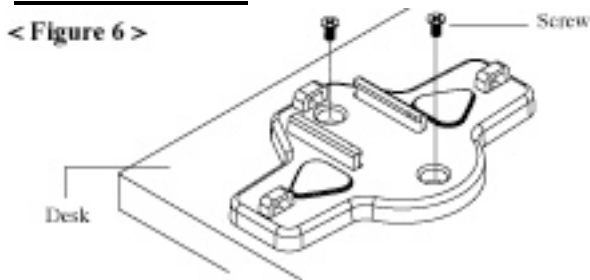


2. Fasten the magnet on the stand, and place the stand in the hub and attach the stand to the desk or steel frame. (Refer to *Figure 5*)

**do not place disks next to or on this device.**

**Note : To eliminate data loss,**

***D. Fasten Screws***  
**Stackable Hub**



1. Secure the stand to the desk and fasten the screws on both side of the stand.
- \* Package doesn't include screws for the desk.
2. Slide the USB Hub into the stand, the same way as the vertically and horizontally placed hubs. (Refer to *Figure 6*)

1. USB 7-port hubs also can be stacked together.
  2. Slide the hubs in a stack. Face them in a same direction. (Refer to *Figure 7*)
  3. Slide the hubs inward until you hear a click.
- \* Do not stack hubs in opposite directions.

< Figure 7 >

