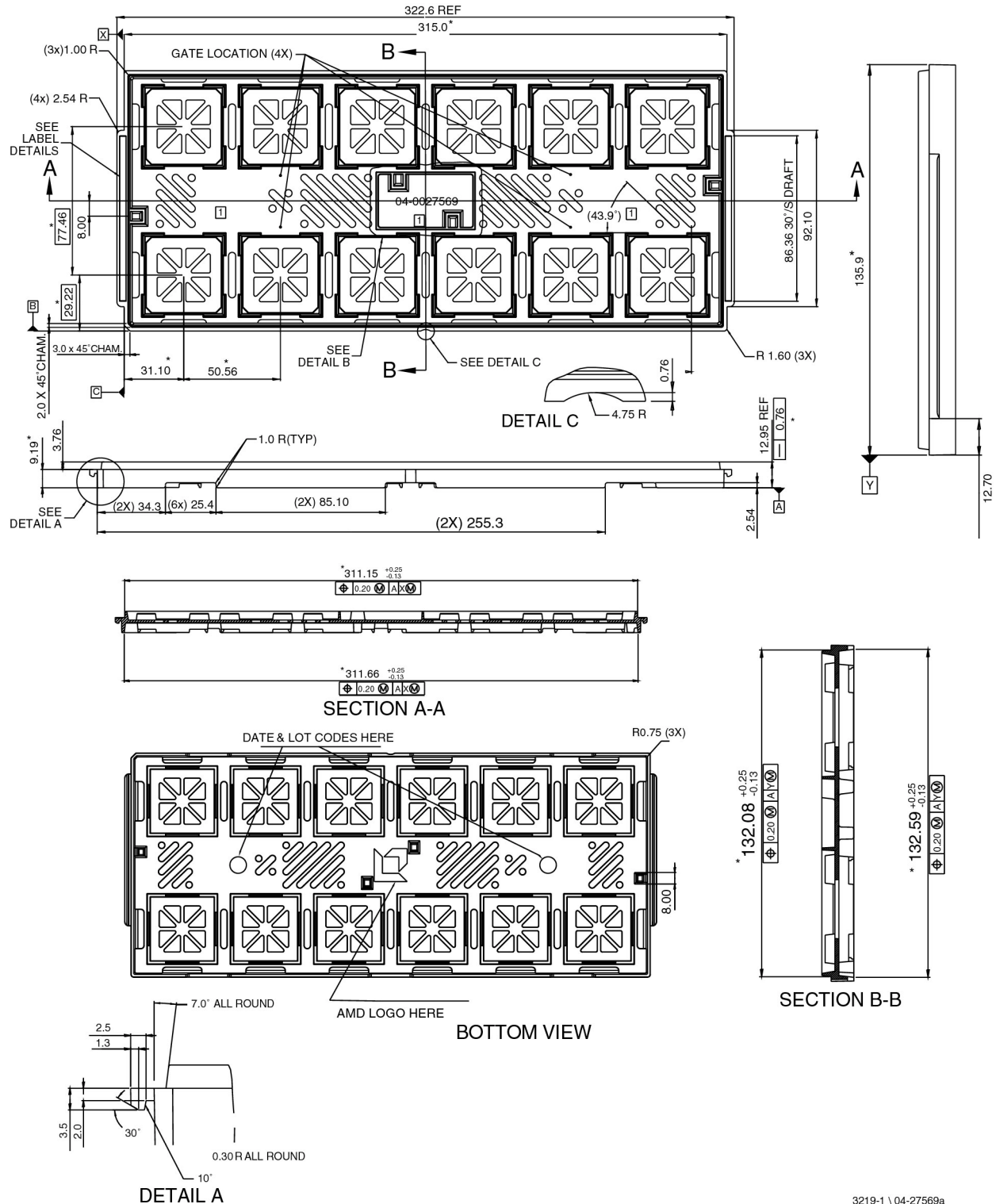


Ceramic Micro Pin Grid Array: 940-Pin UCG



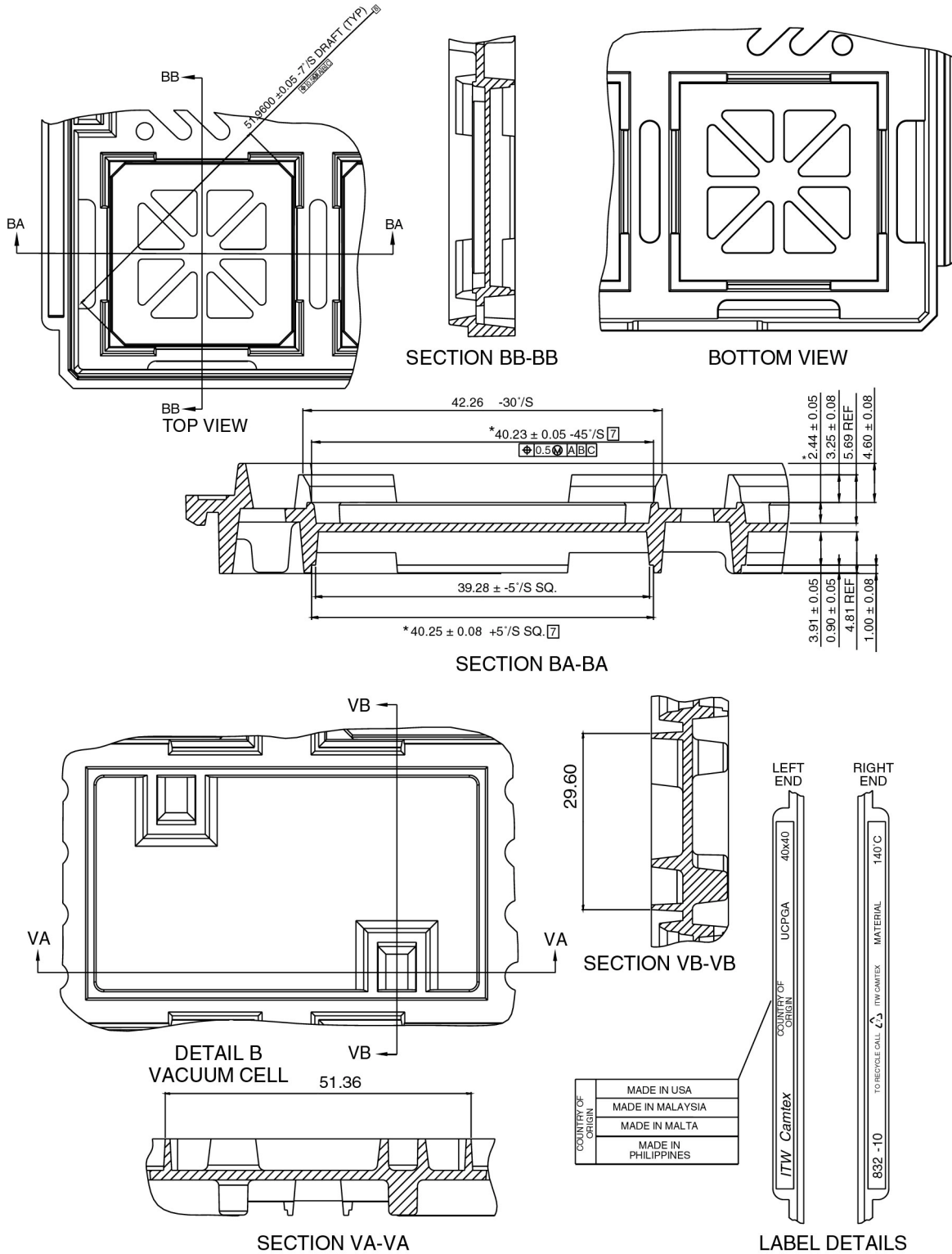
3219-1 \ 04-27569a

Notes:

- 1 All dimensions are in millimeters.
- 2 Trays can withstand continuous operation at temperatures up to 140°C.

(See next page for detailed views)

Ceramic Micro Pin Grid Array: 940-Pin UCG



3219-2 \ 04-27569a

Notes:

- 1 All dimensions are in millimeters.
- 2 Trays can withstand continuous operation at temperatures up to 140°C.