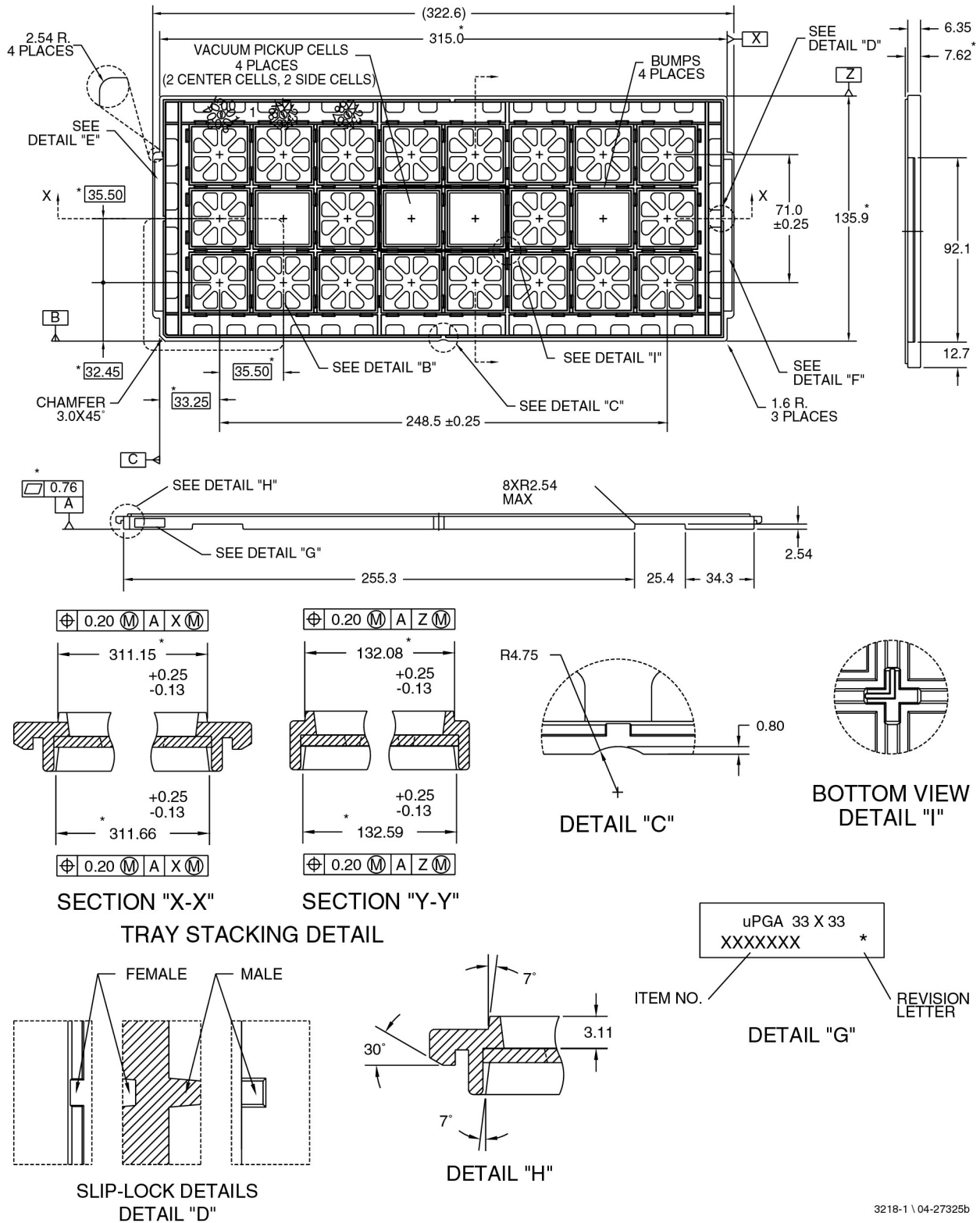


### Organic Micro Pin Grid Array: 563-Pin UOG



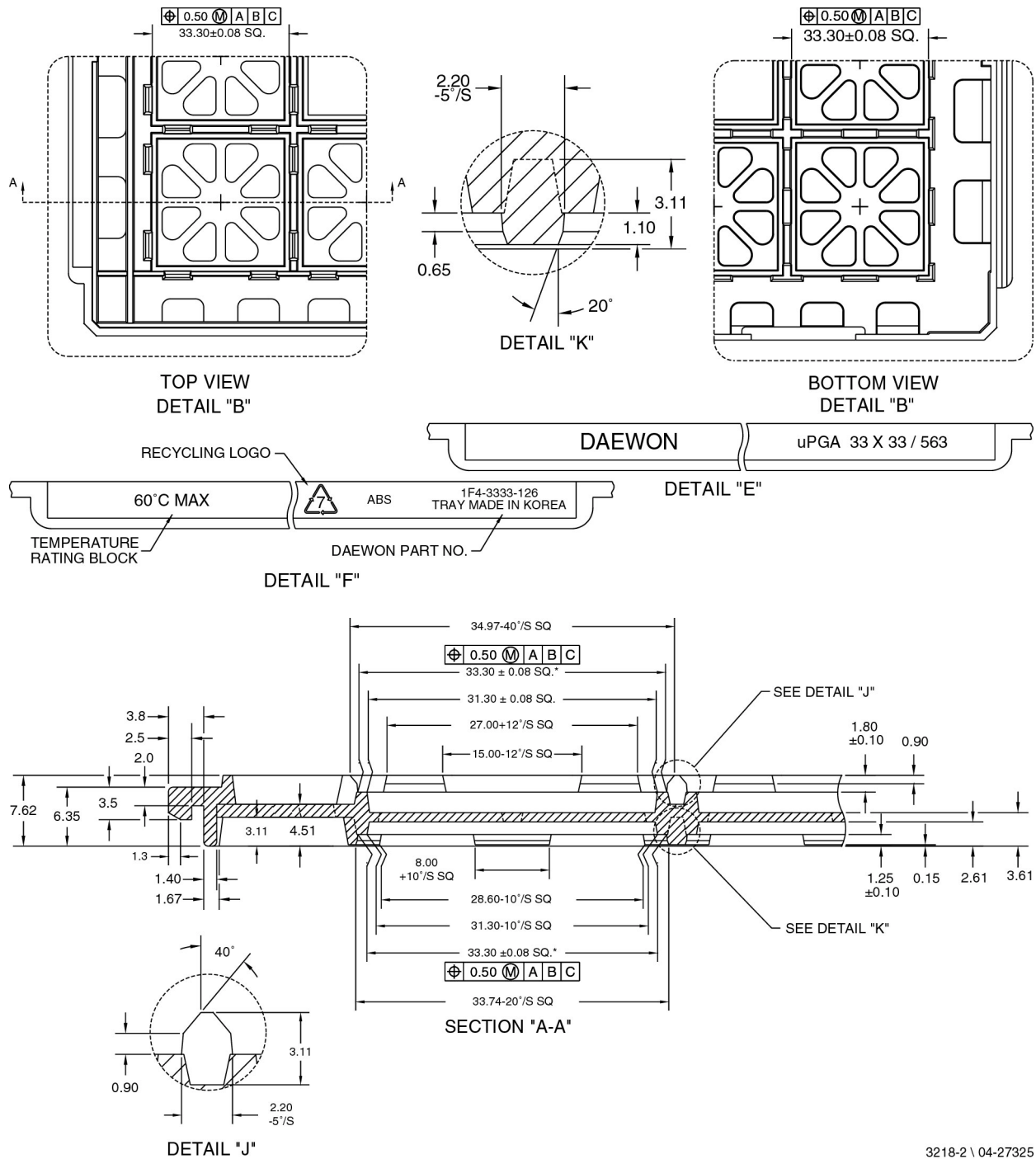
3218-1 \ 04-27325b

Notes:

- 1 All dimensions are in millimeters.
- 2 Trays can withstand continuous operation at temperatures up to 60°C.

(See next page for detailed views)

### Organic Micro Pin Grid Array: 563-Pin UOG



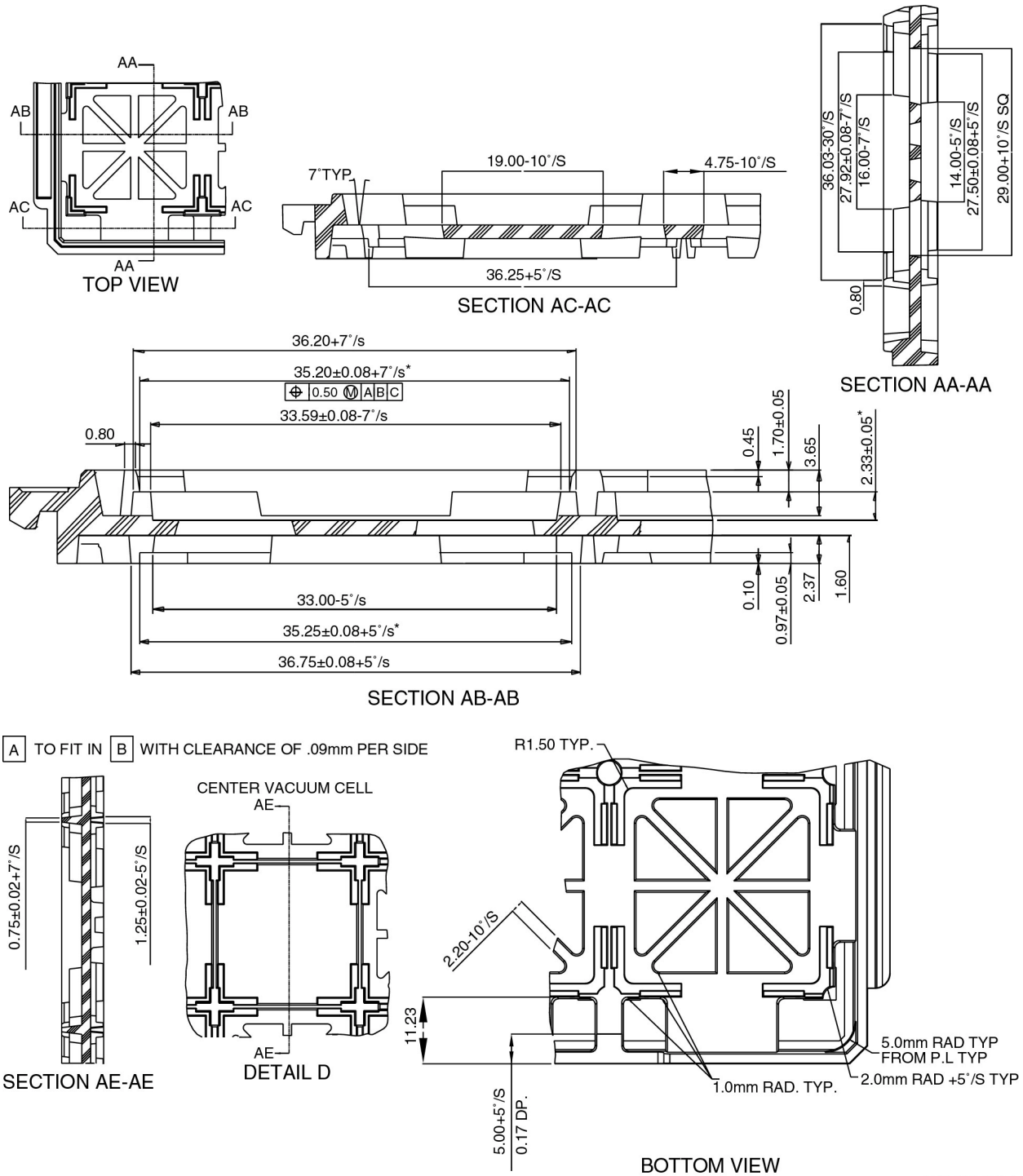
3218-2 \ 04-27325

Notes:

- 1 All dimensions are in millimeters.
- 2 Trays can withstand continuous operation at temperatures up to 60°C.



### Organic Micro Pin Grid Array: 638-Pin UOG

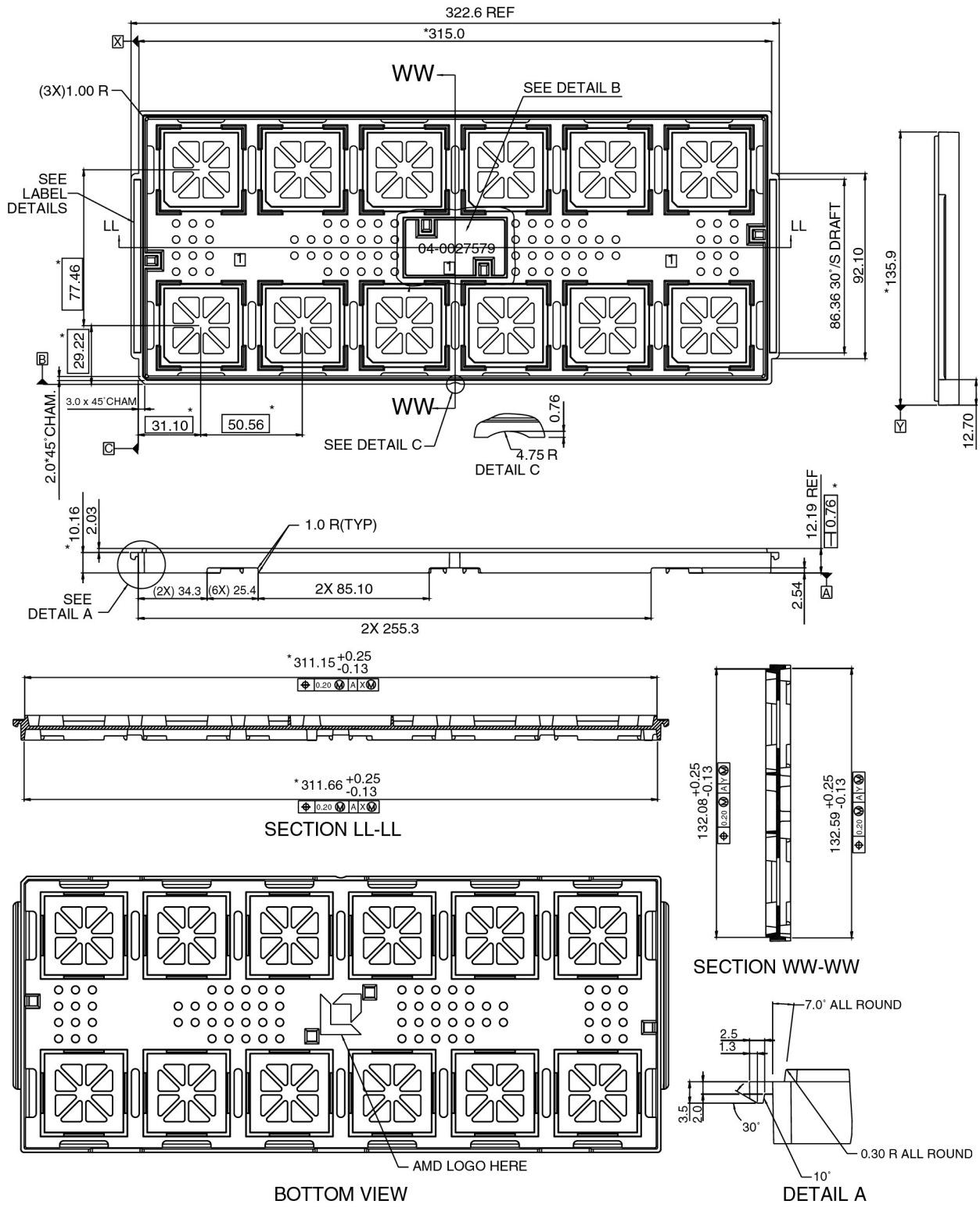


3217-2 \ 04-27567b

Notes:

- 1 All dimensions are in millimeters.
- 2 Trays can withstand continuous operation at temperatures up to 50°C.

### Organic Micro Pin Grid Array: 754-Pin UOG



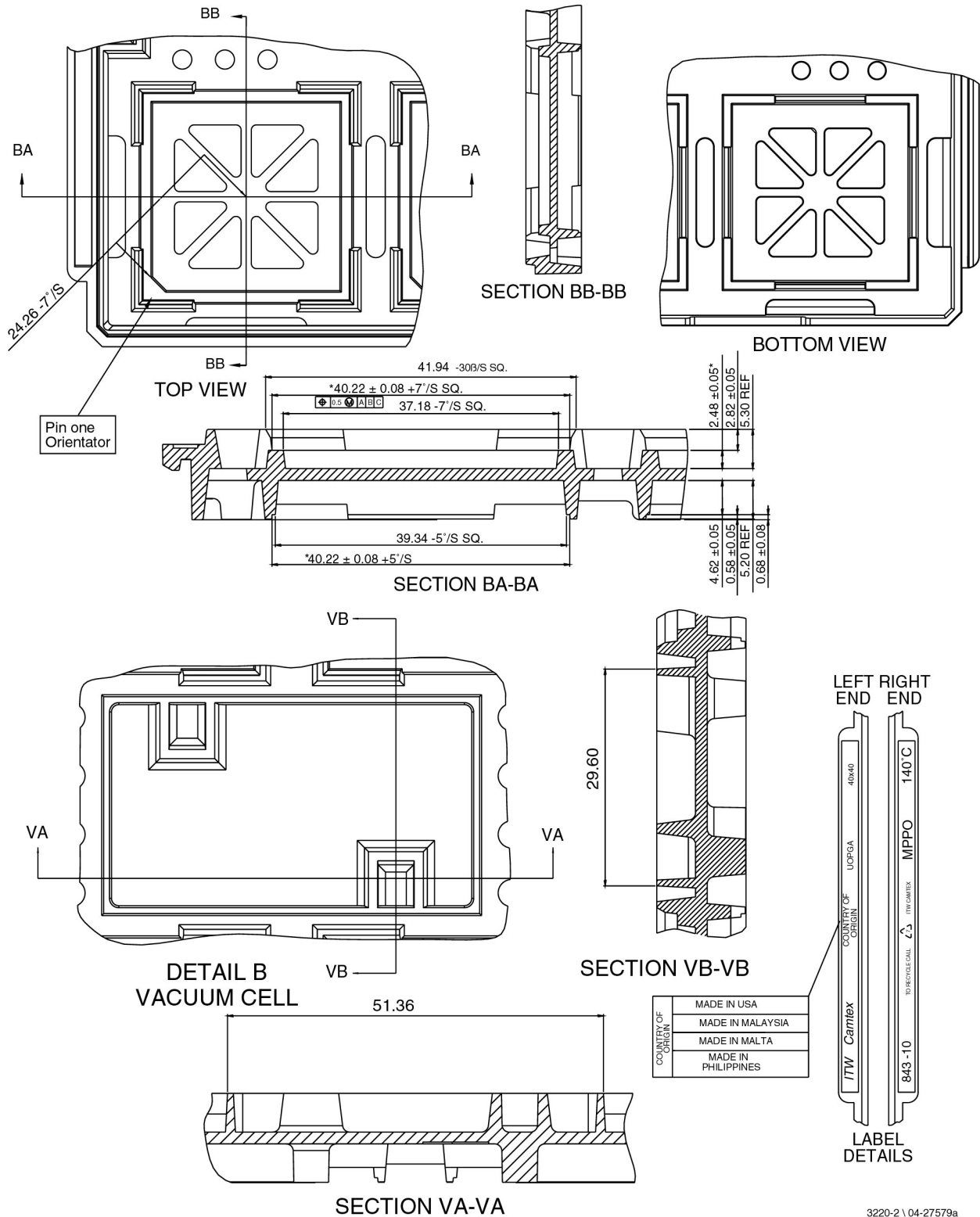
3220-2 \ 04-27579a

**Notes:**

- 1 All dimensions are in millimeters.
- 2 Trays can withstand continuous operation at temperatures up to 140°C.

(See next page for detailed views)

### Organic Micro Pin Grid Array: 754-Pin UOG



3220-2 \ 04-27579a

Notes:

- 1 All dimensions are in millimeters.
- 2 Trays can withstand continuous operation at temperatures up to 140°C.