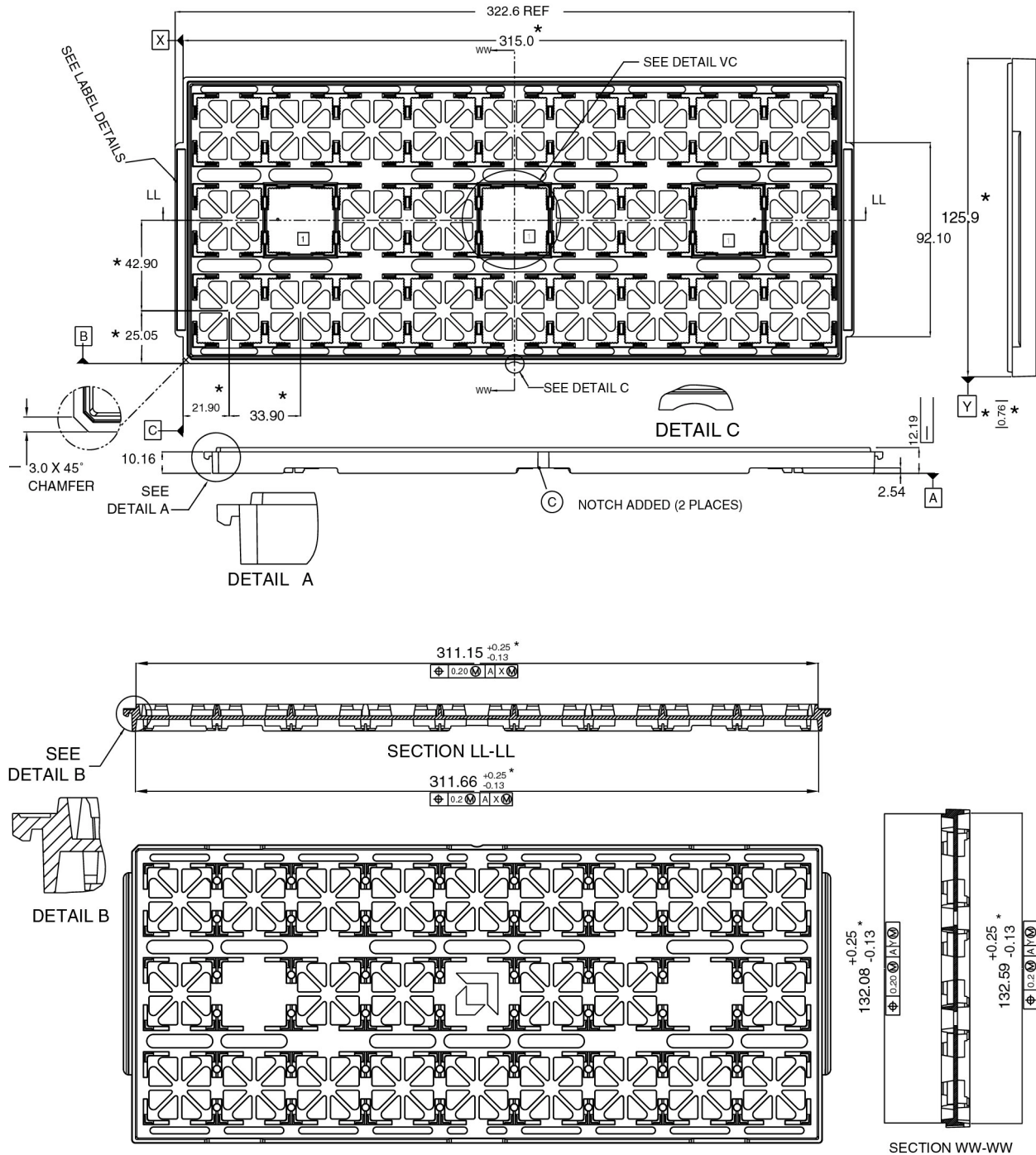


Ceramic Column Grid Array: 575-Column CCF



3211-1 \ 04-26708E

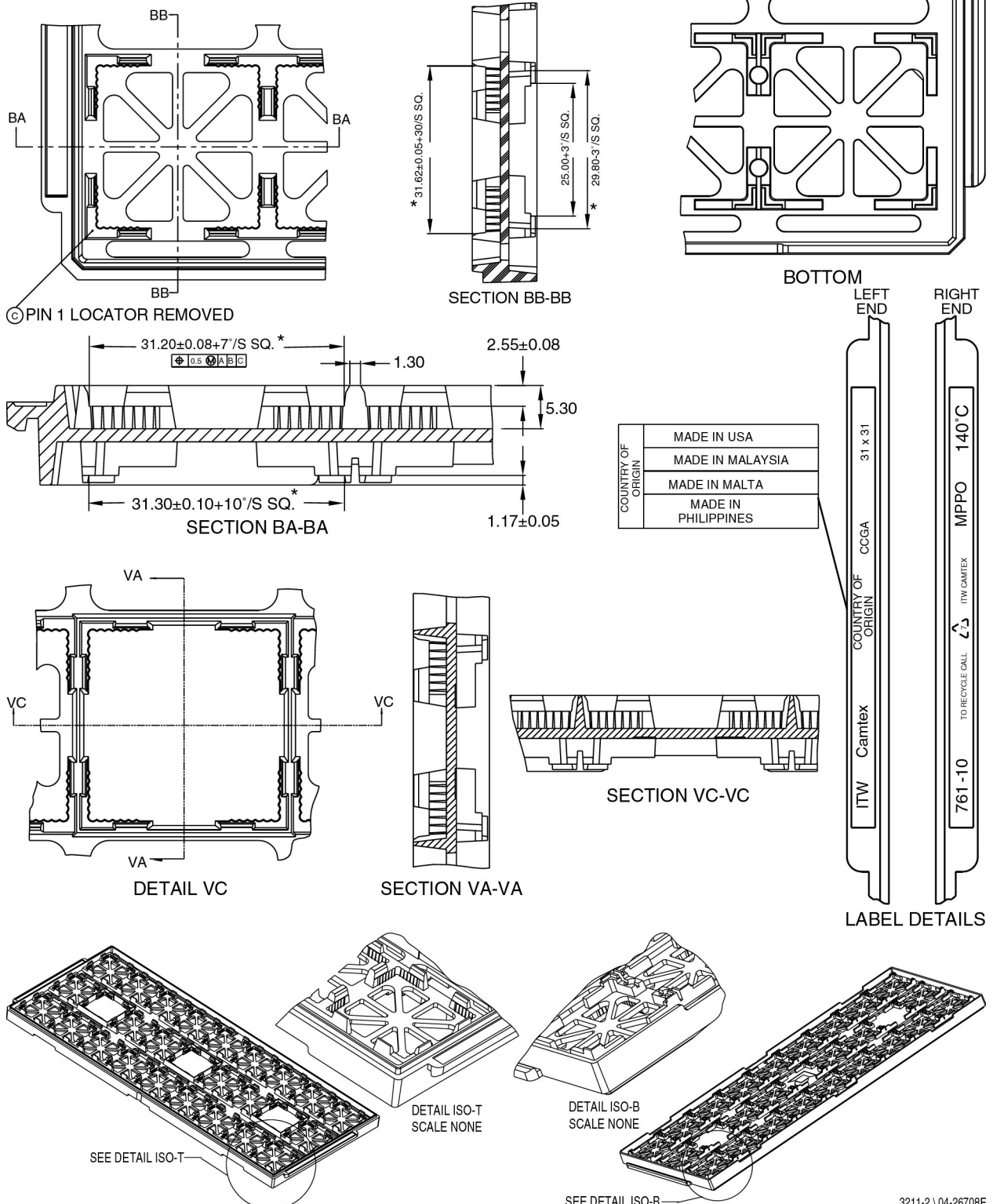
Notes:

- 1 All dimensions are in millimeters.
- 2 Trays can withstand continuous operation at temperatures up to 140°C.

(See next page for detailed views)

Ceramic Column Grid Array: 575-Column CCF

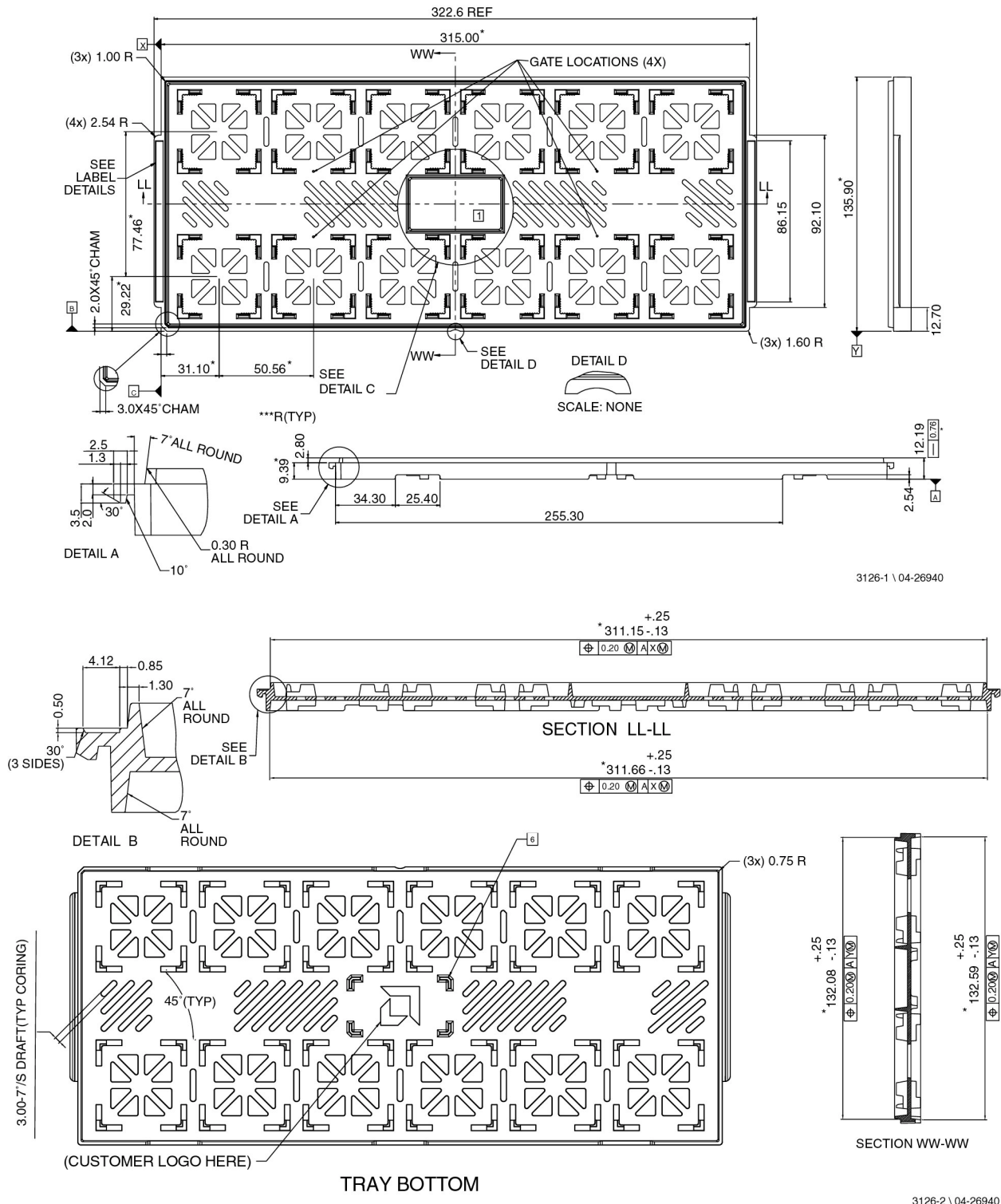
◎POCKET CORING REDUCED FOR DEVICE PROTECTION



Notes:

- 1 All dimensions are in millimeters.
- 2 Trays can withstand continuous operation at temperatures up to 140°C.

Ceramic Column Grid Array: 949-Column C2F

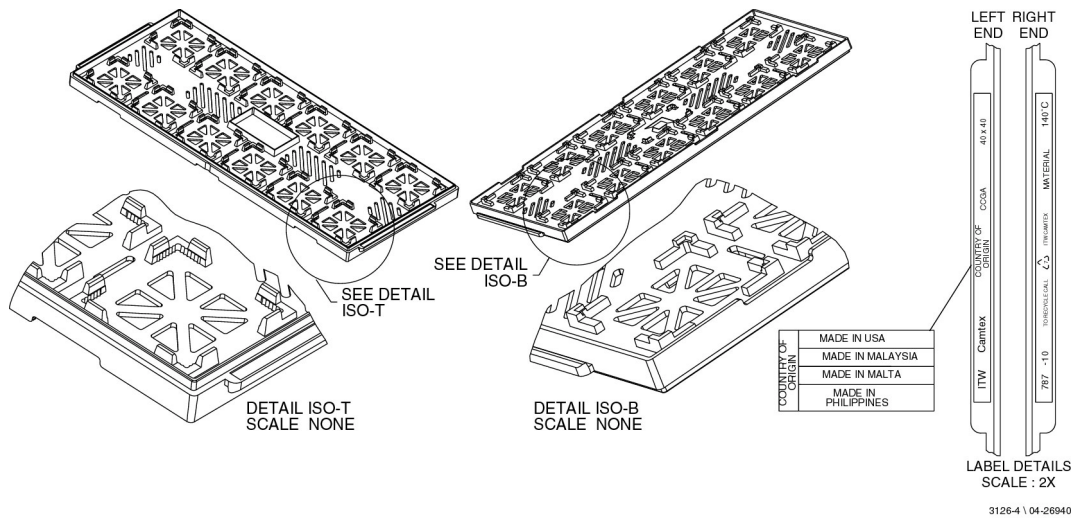
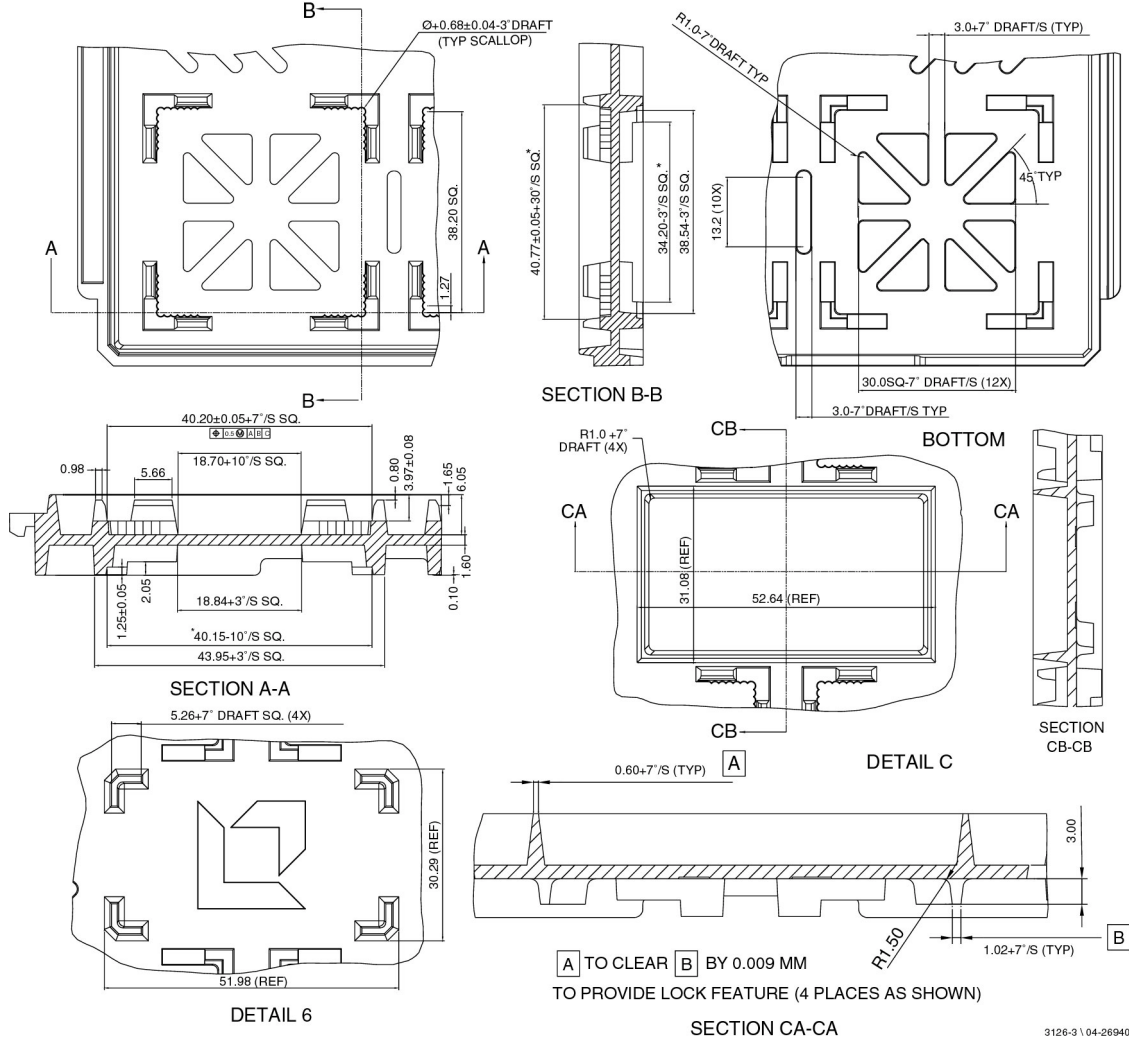


Notes:

- 1 All dimensions are in millimeters.
- 2 Trays can withstand continuous operation at temperatures up to 140°C.

(See next page for detailed views)

Ceramic Column Grid Array: 949-Column C2F



Notes:

- 1 All dimensions are in millimeters.
- 2 Trays can withstand continuous operation at temperatures up to 140°C.