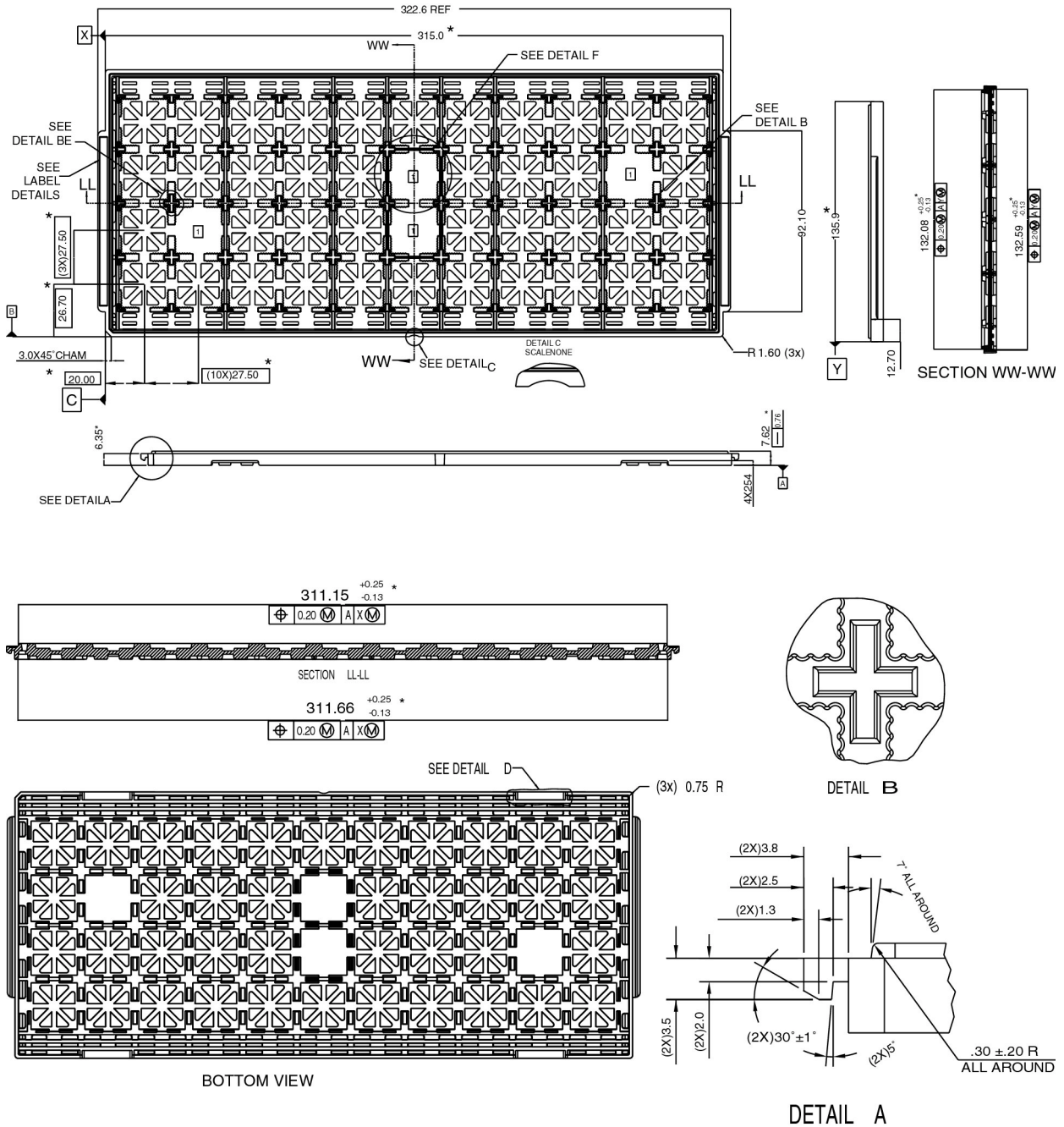


Organic Ball Grid Array: 349-Ball OBF



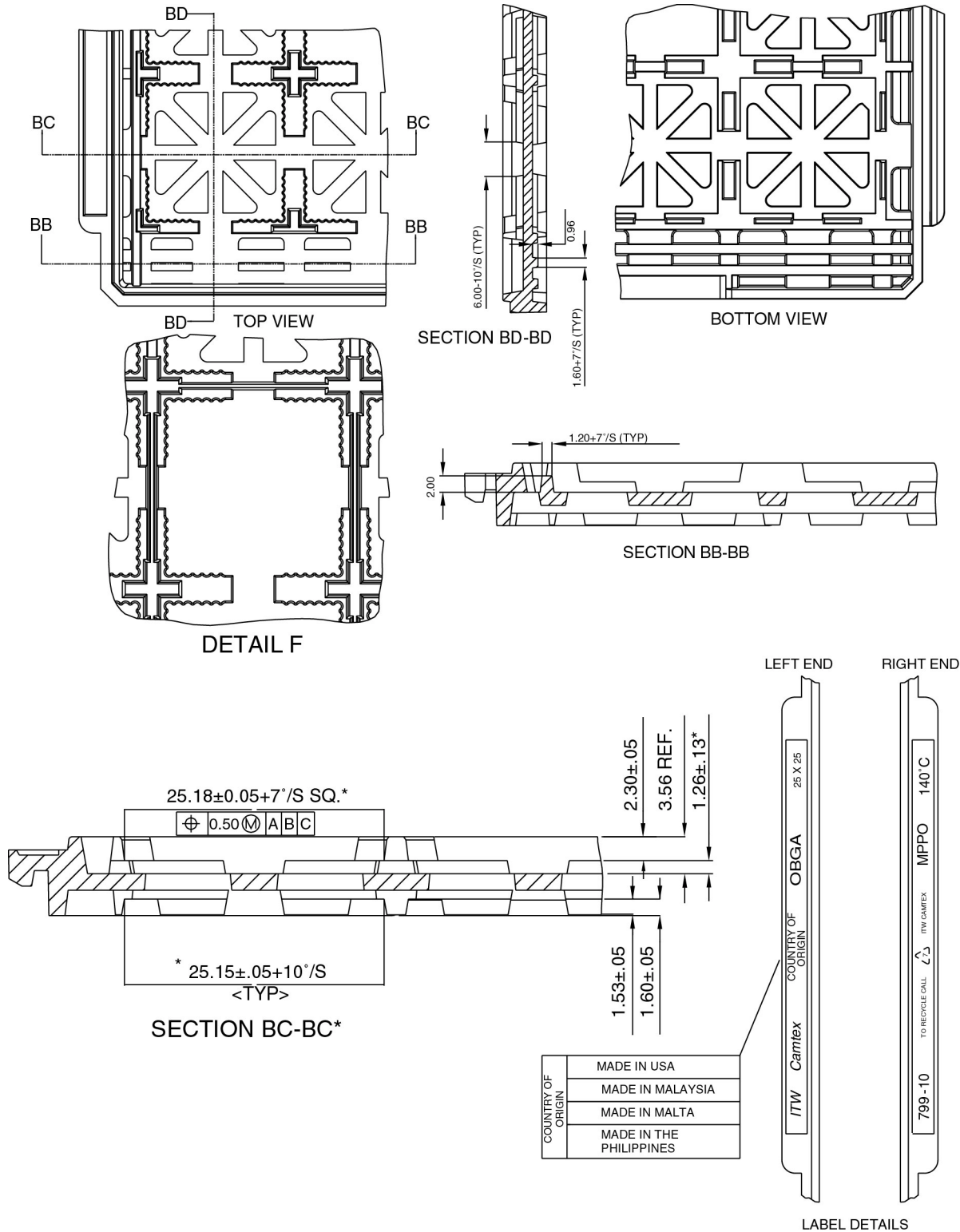
3212-1 \ 04-27048c

Notes:

- 1 All dimensions are in millimeters.
- 2 Trays can withstand continuous operation at temperatures up to 140°C.

(See next page for detailed views)

Organic Ball Grid Array: 349-Ball OBF

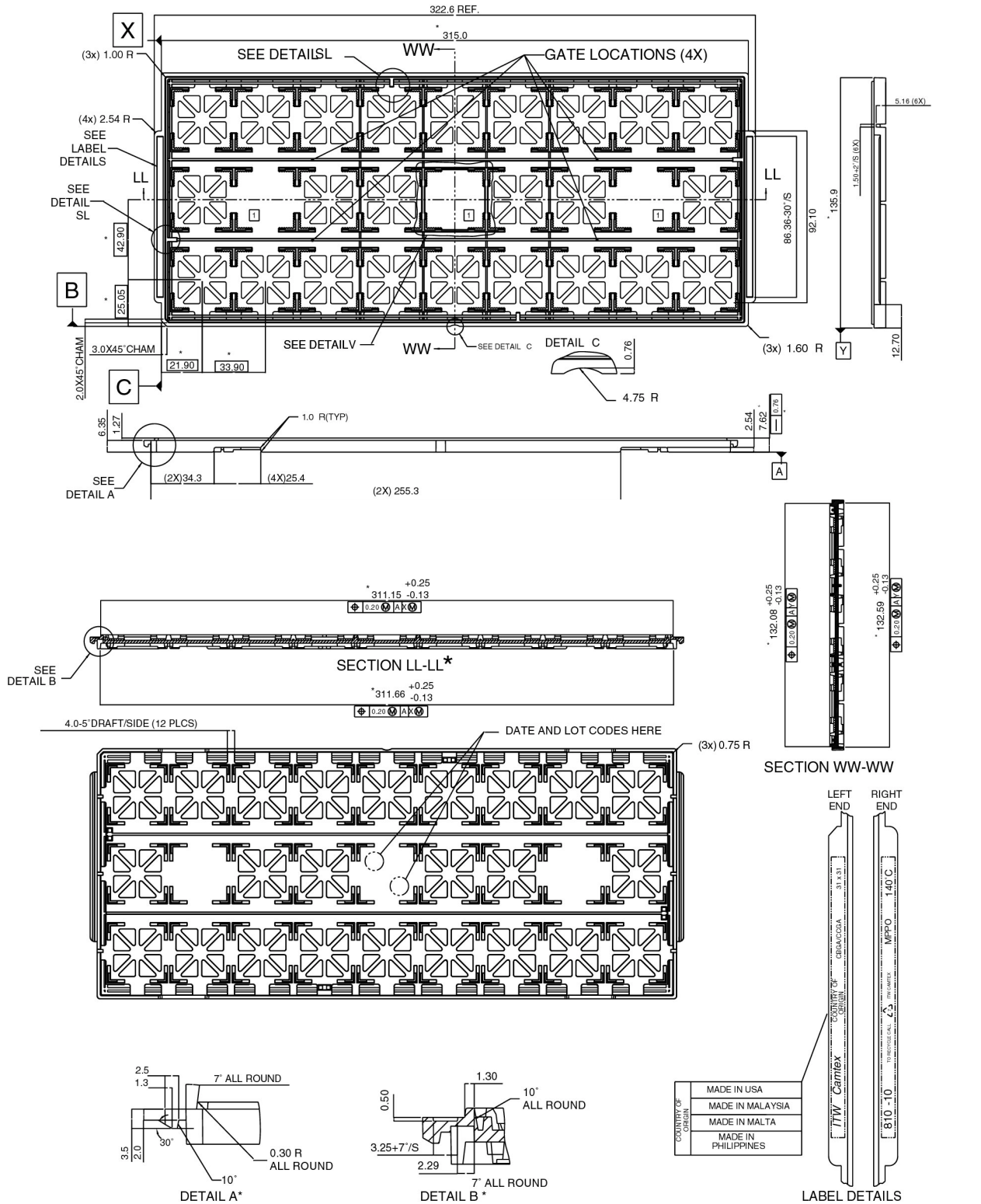


3212-2 \ 04-27048c

Notes:

- 1 All dimensions are in millimeters.
- 2 Trays can withstand continuous operation at temperatures up to 140°C.

Organic Ball Grid Array: 564-Ball OLF

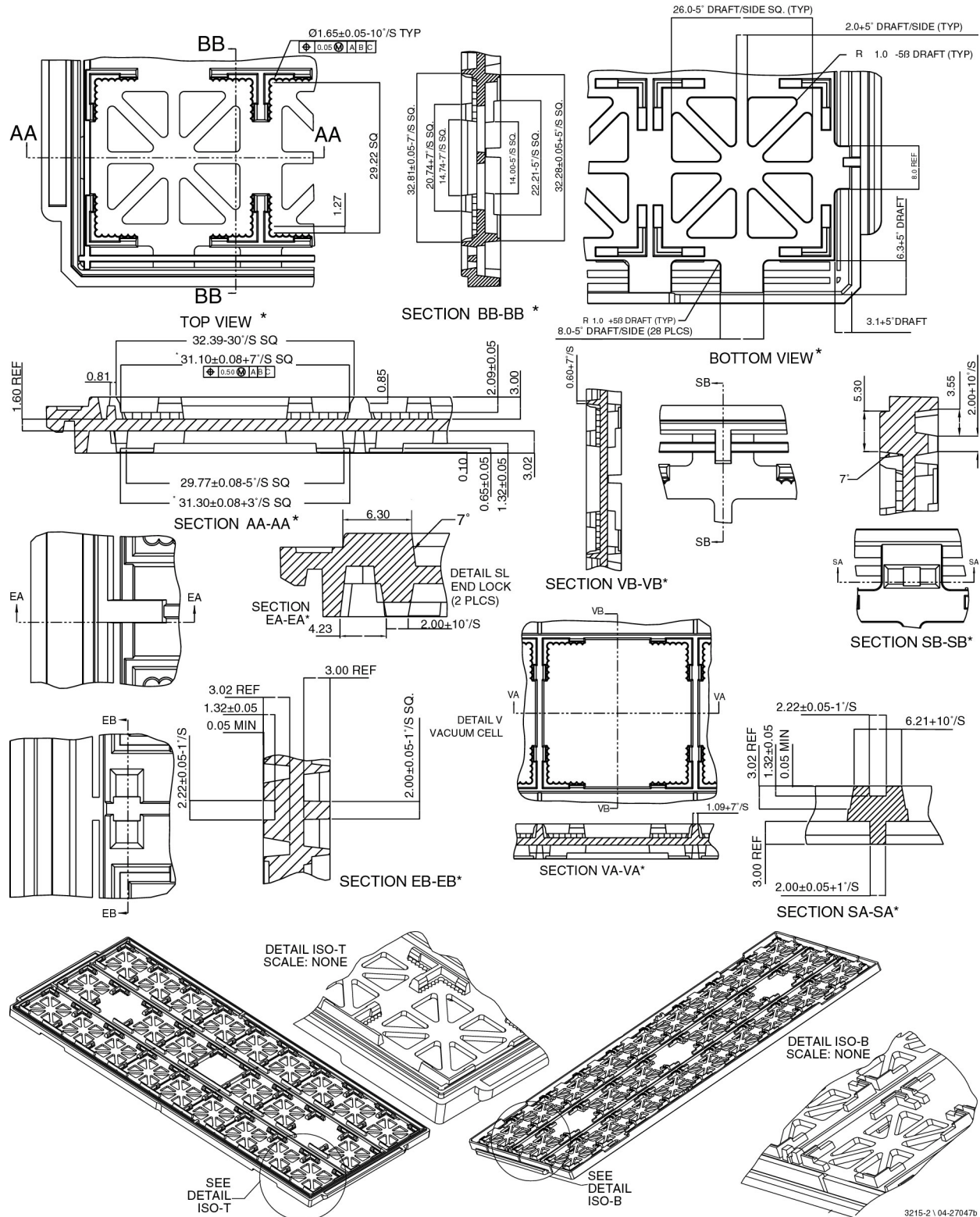


Notes:

- 1 All dimensions are in millimeters.
- 2 Trays can withstand continuous operation at temperatures up to 140°C

(See next page for detailed views)

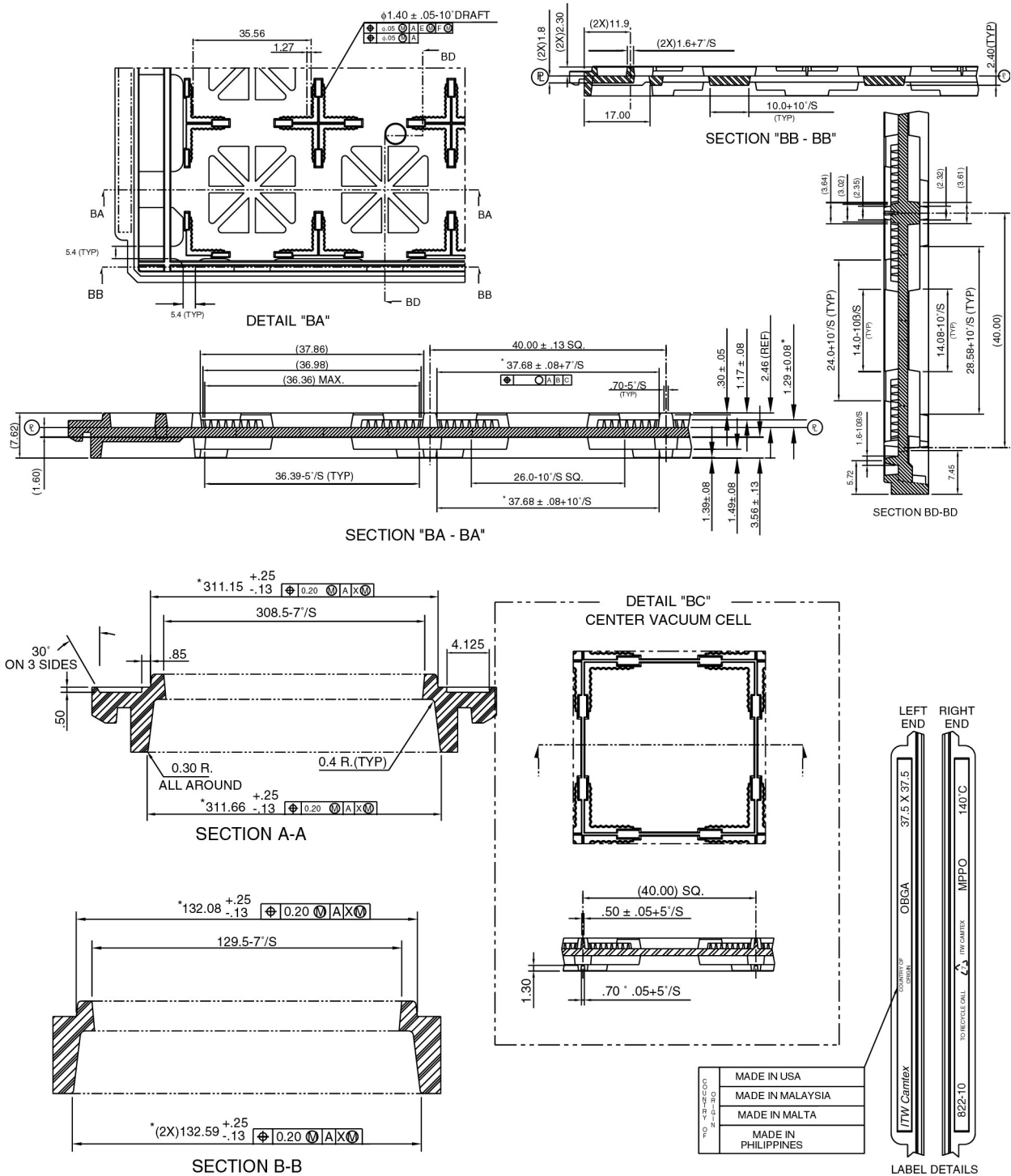
Organic Ball Grid Array: 564-Ball OLF



Notes:

- 1 All dimensions are in millimeters.
- 2 Trays can withstand continuous operation at temperatures up to 140°C.

Organic Ball Grid Array: 829-Ball OLF



3216-2b \ 04-26942c

Notes:

- 1 All dimensions are in millimeters.
- 2 Trays can withstand continuous operation at temperatures up to 140°C.