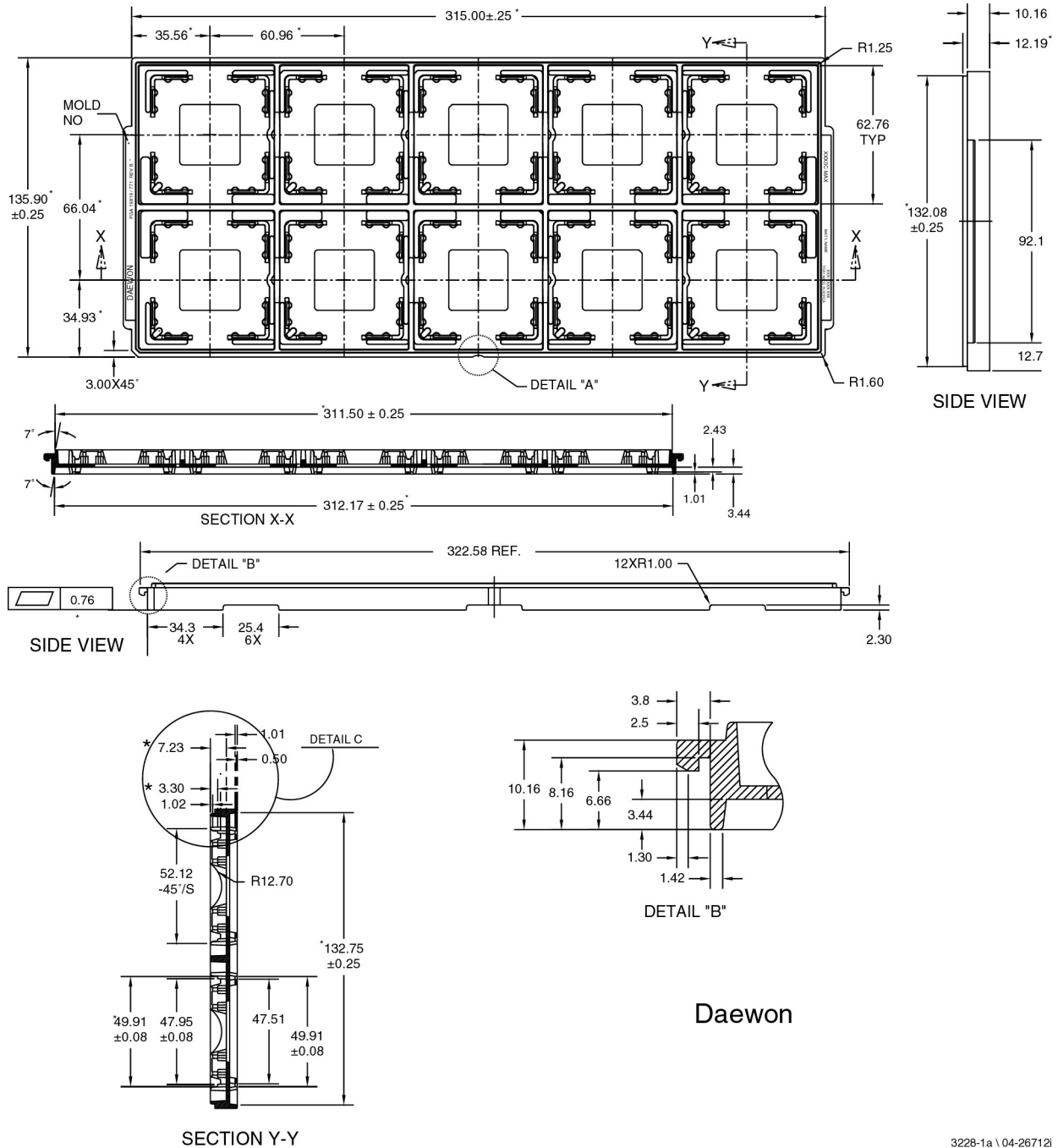


Ceramic Pin Grid Array: 321-Pin, 453-Pin CGF



Daewon

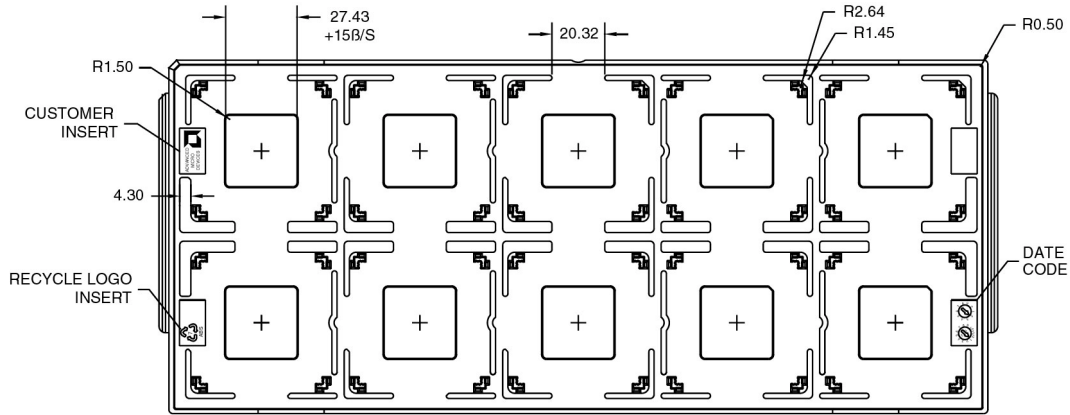
3228-1a \ 04-26712

Notes:

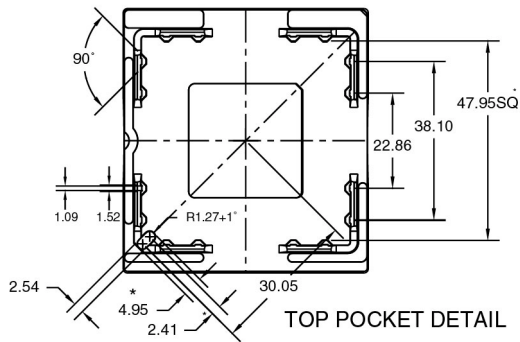
- 1 All dimensions are in millimeters.
- 2 Trays can withstand continuous operation at temperatures up to 65°C.
- 3 This drawing is for trays manufactured by DaeWon Semiconductor Packaging Co.

(See next page for detailed views)

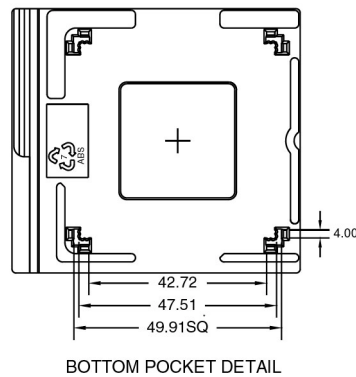
Ceramic Pin Grid Array: 321-Pin, 453-Pin CGF



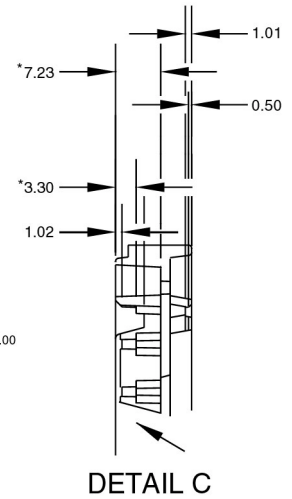
BOTTOM VIEW



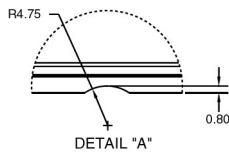
TOP POCKET DETAIL



BOTTOM POCKET DETAIL



DETAIL C



DETAIL "A"

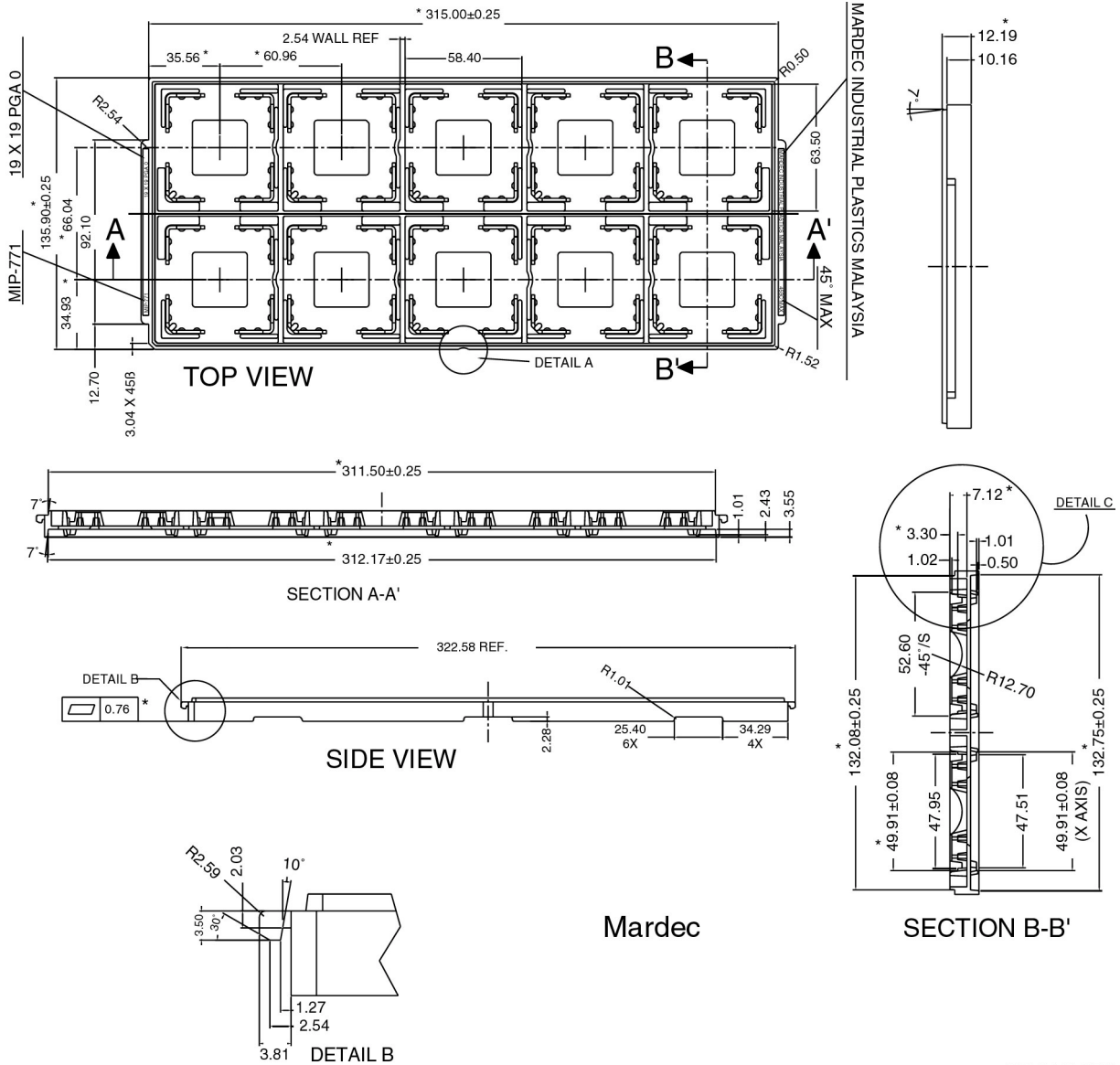
Daewon

3228-1b \ 04-26712i

Notes:

- 1 All dimensions are in millimeters.
- 2 Trays can withstand continuous operation at temperatures up to 65°C.
- 3 This drawing is for trays manufactured by DaeWon Semiconductor Packaging Co.

Ceramic Pin Grid Array: 321-Pin, 453-Pin CGF



Mardec

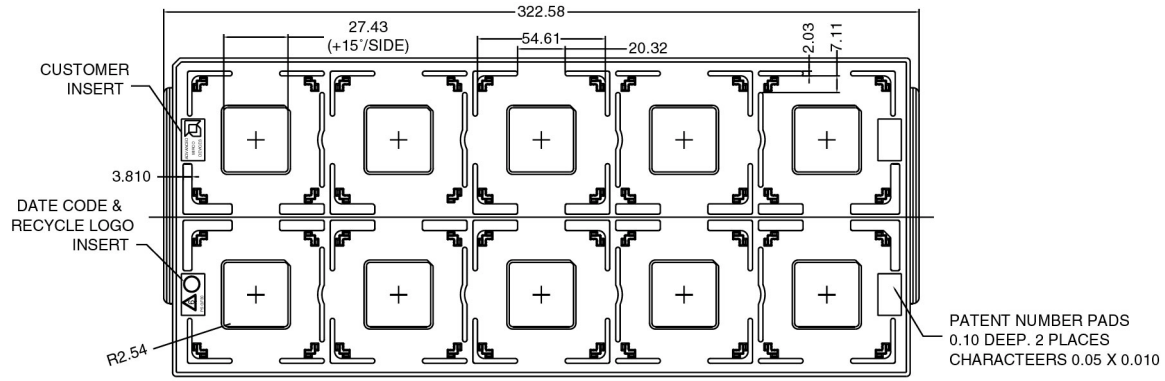
3228-2a \ 04-267121

Notes:

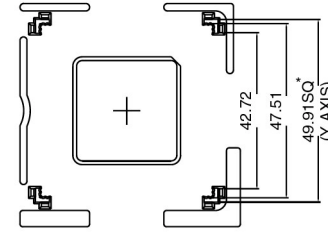
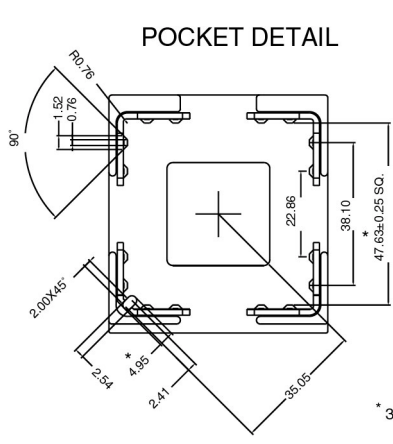
- 1 All dimensions are in millimeters.
- 2 Trays can withstand continuous operation at temperatures up to 65°C .
- 3 This drawing is for trays manufactured by Mardec Industrial Plastics.

(See next page for detailed views)

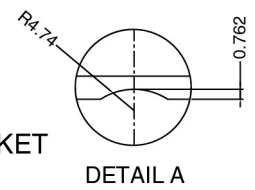
Ceramic Pin Grid Array: 321-Pin, 453-Pin CGF



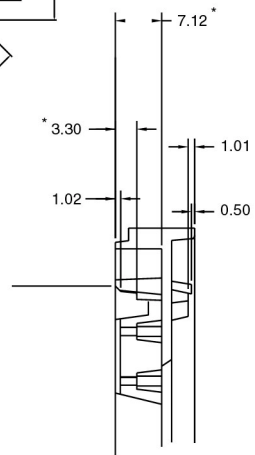
BOTTOM VIEW



BOTTOM POCKET



DETAIL A



DETAIL C

Mardec

3228-2b \ 04-26712i

Notes:

- 1 All dimensters are in millimeters.
- 2 Trays can withstand continuous operation at temperatures up to 65°C.
- 3 This drawing is for trays manufactured by Mardec Industrial Plastics.