



# Bearing Block LB 01

Heavy duty bearing support for rotary transducers:  
Absolute and Incremental Encoders and Inductive Angle Transducers

LB 10103 AE

04 / 93

## Construction

Base and flange of bearing block in die-cast aluminium with anodised surface - shaft in stainless steel, 16 mm diam. with keyway and Woodruff key deep-groove ball bearing with Nilos ring seal-KK 14 clamp coupling for connecting to the shaft on the rotary transducer.

## Possible applications

The following rotary transducers can be fitted with the LB 01 Bearing Block:

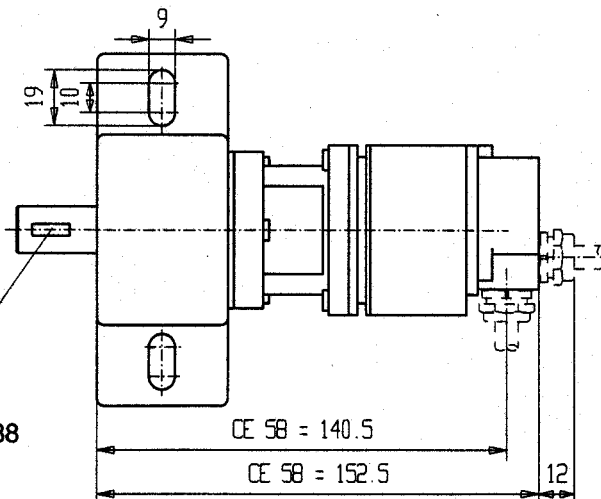
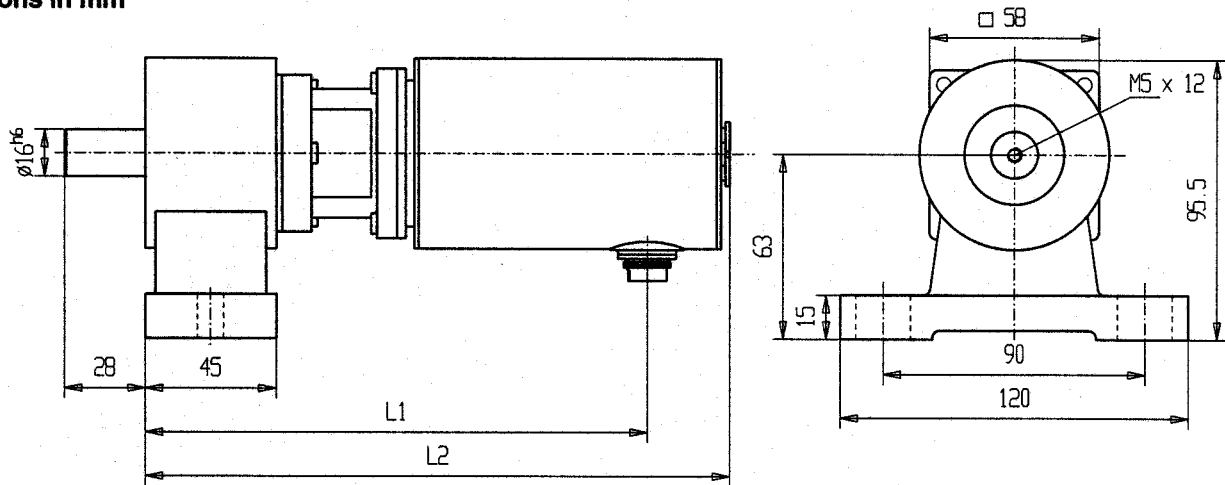
- SINGLE-TURN encoders in the series CB 58, CE 58, C3A 58
- MULTI-TURN encoders in the series CRE 58, CR 58, CRP 58, CLS 58 and CRS 58
- Incremental encoders in the series C3i 58
- Inductive Angle Transducers ID 580

## Technical Data ( without rotary transducer )

- Permissible shaft load: axial 100 N max. radial 500 N max.
- Operating speed: 6000 rpm max.
- Operating torque: 5 Ncm max. at 1000 rpm
- Wind-up torque: 1.5 Ncm max.
- Bearing life expectancy maximum shaft load :  $840 \cdot 10^6$  revolutions
- Inertial mass: 100 gcm<sup>2</sup>
- Protection: IP 65
- Mass: 1.0 kg

The technical data for the mounted rotary transducer should also be taken into account.

## Dimensions in mm



Woodruff key  
4 x 5 DIN 6888  
Series A

Model	L1	L2
CE 58	140,5	152,5
CB 58	143,5	165
CRE 58	156,5	184
CR 58	172,5	201
CRP 58	172,5	210
C3A 58	126,5	144
C3i 58	126,5	144
ID 580	127	142