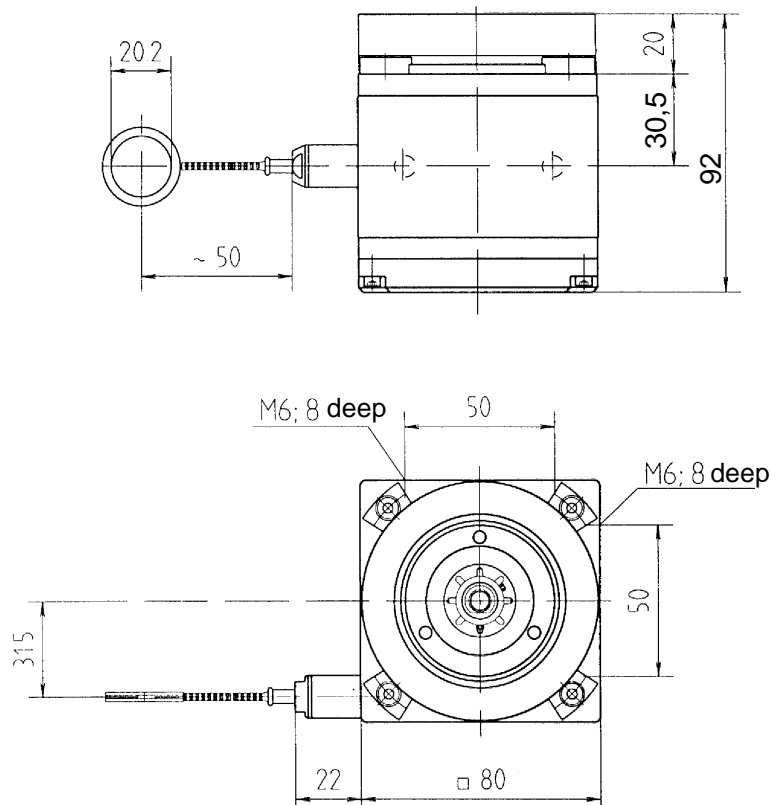


#### Technical Data

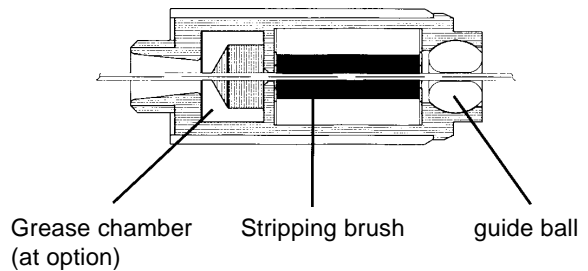
- Measuring range  
Model SWH: 2 m
- Drum circumference  
Model SWH: 200 mm
- Precision of measurement  
±0.05 % in relation to the actual measured value
- Permissible cable speed : ≤ 4.0 m/s
- Permissible cable acceleration : ≤ 25 m/s<sup>2</sup> (at an operating temperature of 20°C )
- Force required to draw out the cable Start/end : max. 15 N / max. 30 N
- Cable material: high flexible, stainless steel, stranded wire
- Cable diameter : 1.35 mm
- Service life for cable and spring : ≥ 10 x 10<sup>6</sup> cable strokes
- Housing material : anodized aluminium
- Working and storage temperature range : - 20°C to + 85°C  
- 30°C (at option)

Other technical data refer data sheet SWF10652.

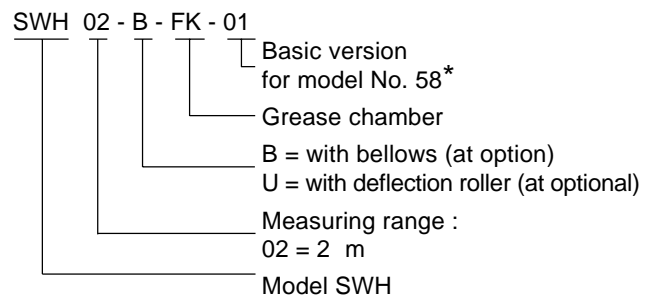
#### Dimensions in mm



#### Cable nozzle

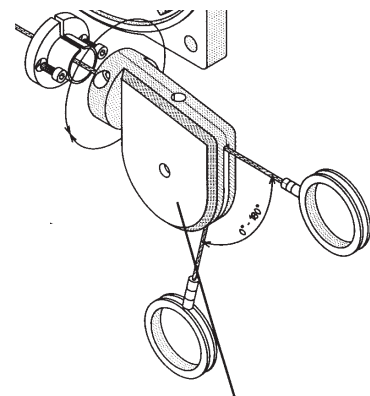


#### Order code format

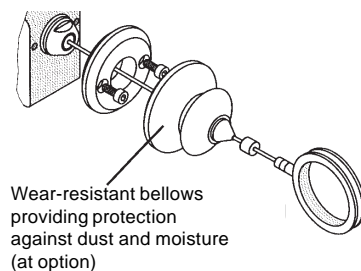


\* Variations from the basic version are indicated with a succeeding, additional number and are documented in our works.

**Accessory :** Deflection roller SWF-U (refitable)



Refitable deflection roller for cable (at option)



Wear-resistant bellows providing protection against dust and moisture (at option)