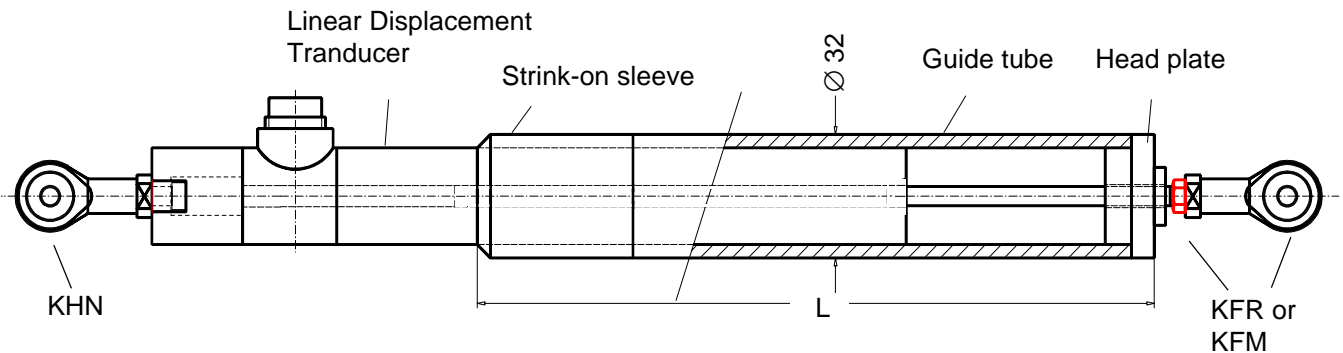


Application

The guide tube FR has been designed to reinforce the plunger guidance and to protect the plunger against rough handling. It can be fixed either to transducers with front and rear ball joints or to gauge type transducers with spring returns.



Construction

The guide tube consists of a glass-fiber reinforced cylinder with a 25 mm internal diameter and a metal head plate. A strink-on sleeve at the opposite end prevents the entry of dirt.

Depending of the application and the mounting direction the metal head plate can be supplied with water evacuation holes (ML).

Transducer	Order code for tube only	Order code for tube with evacuation holes	Length "L"
IW 250/100	FR/230	FR/230ML	230 mm
IW 260/170	FR/230	FR/230ML	230 mm
IW 250/200	FR/430	FR/430ML	430 mm
IW 260/360	FR/430	FR/430ML	430 mm

Order code for transducer complete with guide tube

IW 251 / 100 - 0.5 - KFR - KHN- A01

