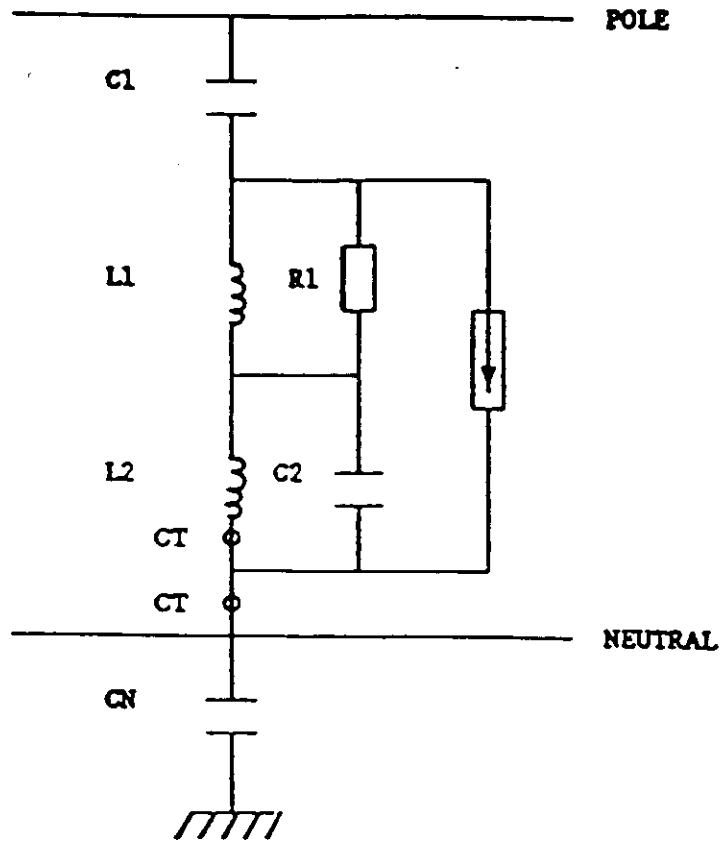


DC Filter - Benmore and Haywards.



C1 - 0.923  $\mu$ F

L1 - 37 mH Q > 150

R1 - 1400  $\Omega$

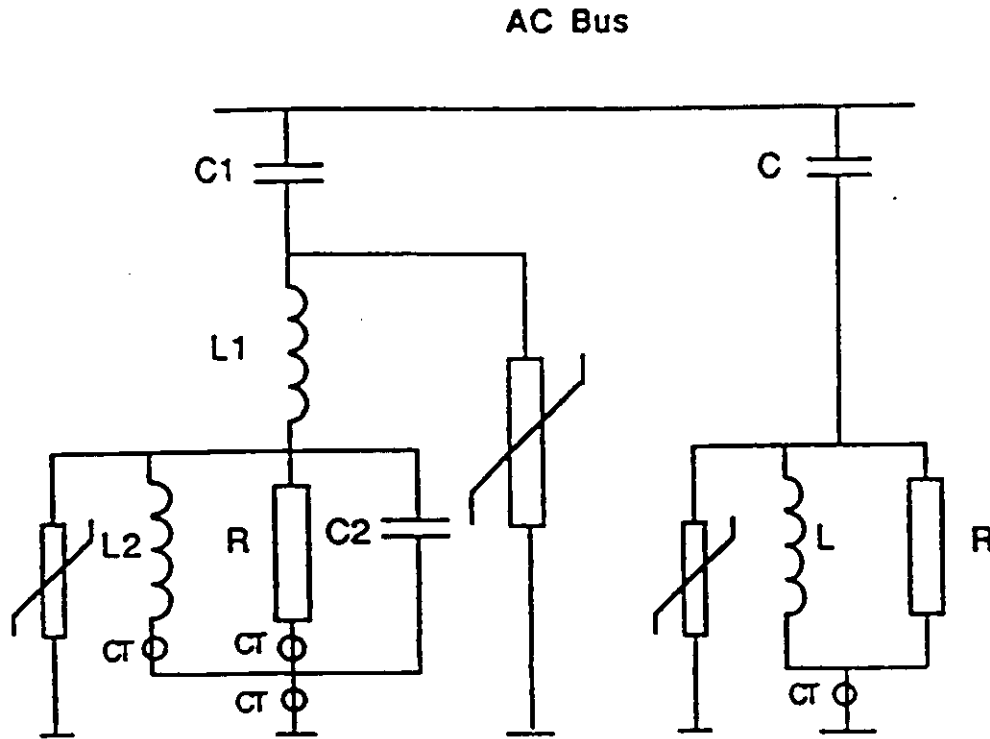
C2 - 1.897  $\mu$ F

L2 - 19 mH Q > 150

CN - 25  $\mu$ F (Benmore)

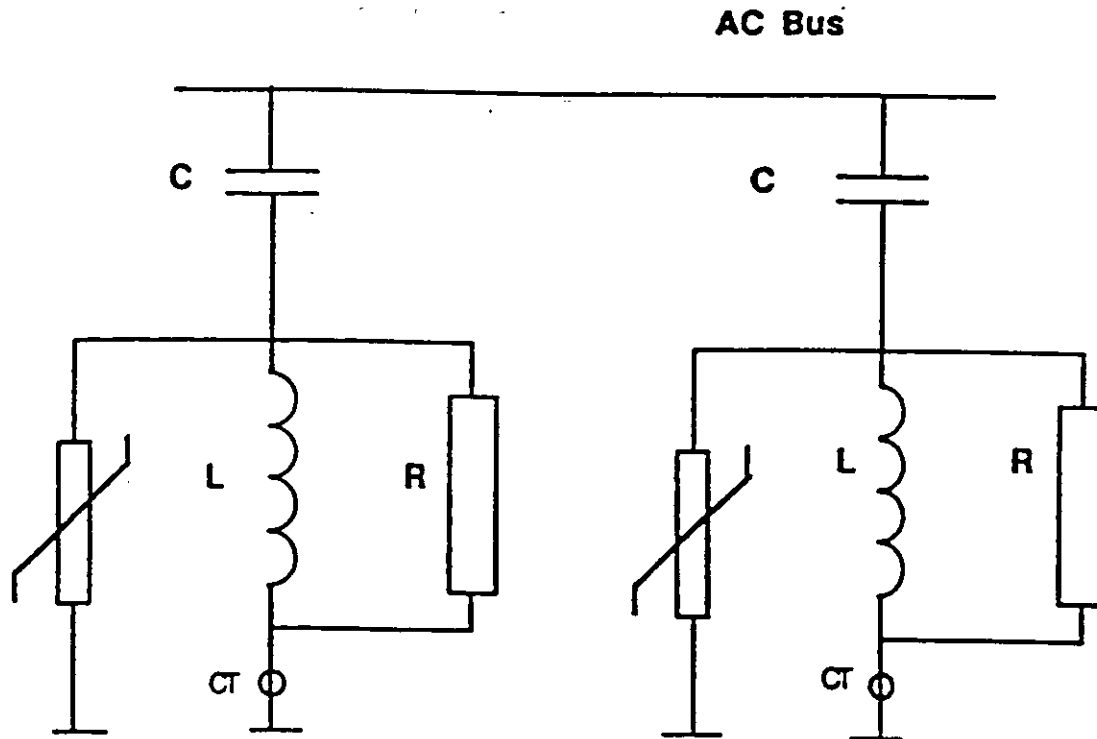
CN - 15  $\mu$ F (Haywards)

## AC Filter Configuration Benmore Pole 2



Type of Branch	11/13th	HP24
Total number of branches	2	2
Q3-phase (MVAR)	79.3	79.3
Tuned frequency	550/660	1200
C ( $\mu F$ )	C1 C2 2.17 69.25	3.040
L (mH)	L1 L2 32.87 1.02	5.79
R ( $\Omega$ )	58	112

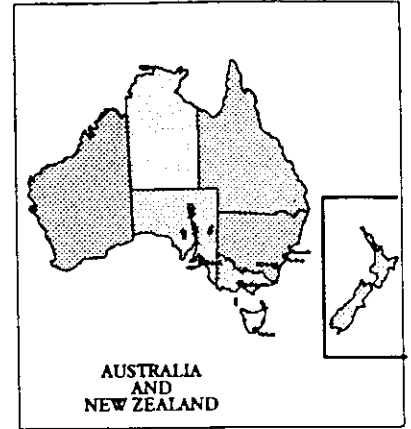
# AC Filter Configuration Haywards Pole 2

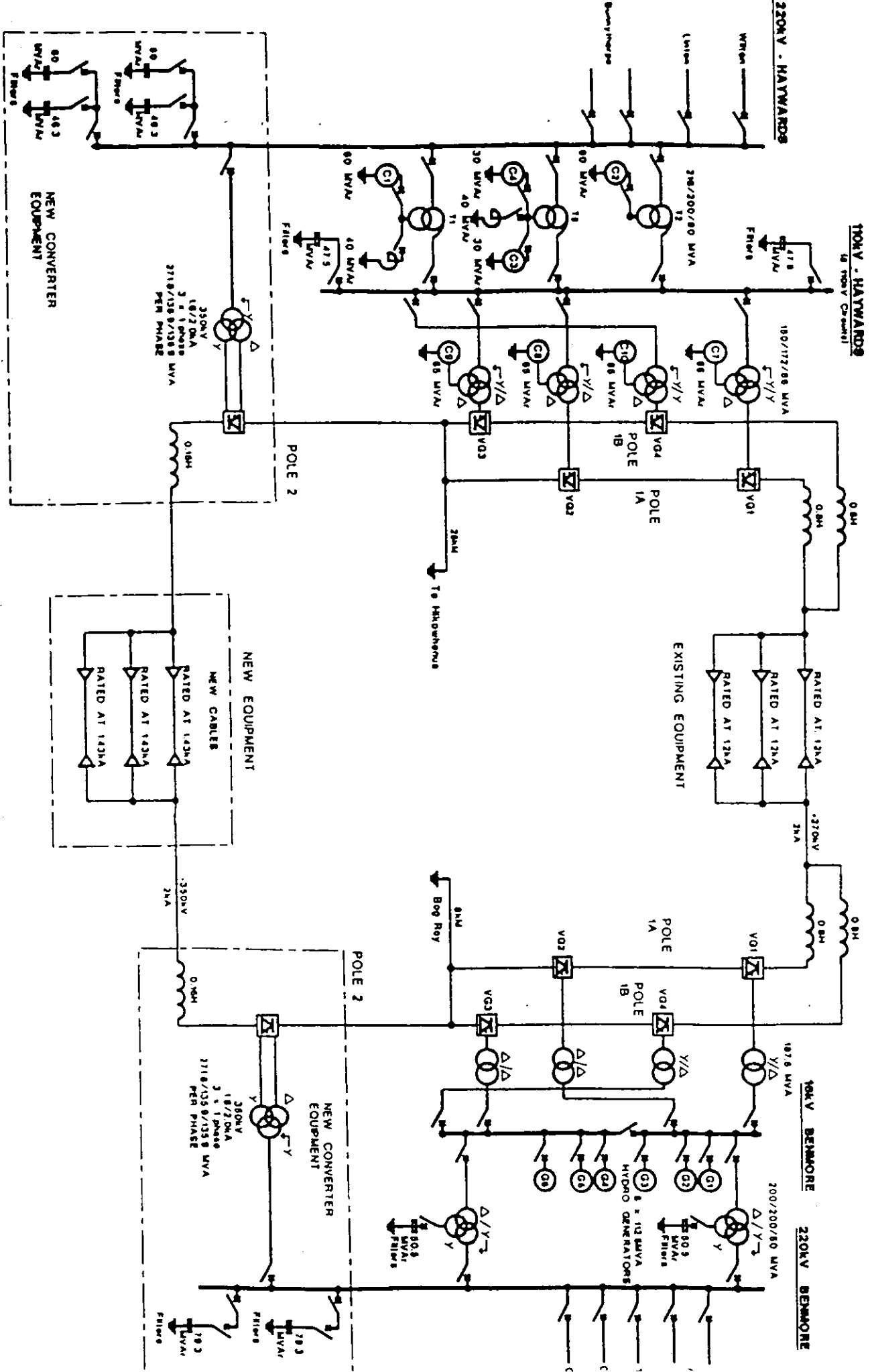


Type of Branch	HP12	HP24
Total number of branches	2	2
Q3-phase (MVAR)	60	46.3
Tuned frequency	595	1200
C ( $\mu$ F )	3.040	3.927
L (mH)	18.22	5.79
R ( $\Omega$ )	576	112

# THE NEW ZEALAND HVDC HYBRID INTER ISLAND LINK

Geographic map





**1240MW HYBRID AC/DC SINGLE LINE DIAGRAM  
FORWARD TRANSFER**