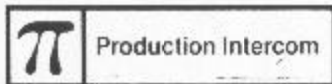
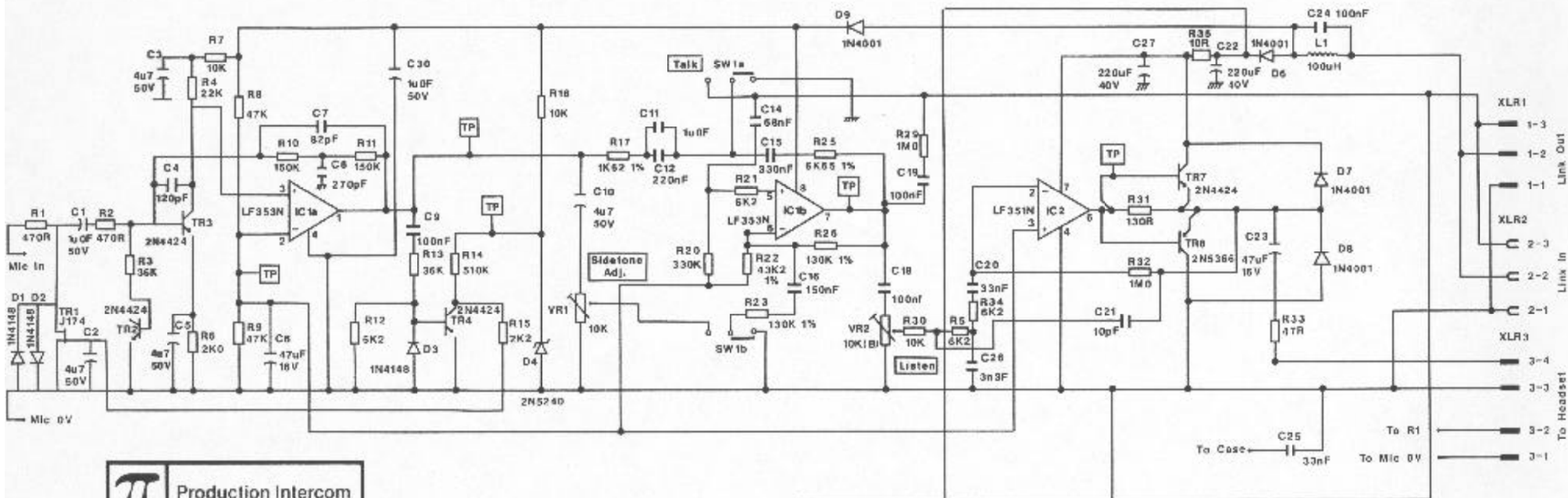


NOTES:

On some early U.S. built versions, 2N4424 - MPSA05.
 Close tolerance capacitors: 4, 7, 8, 11, 12, 16, 20, 26, 21.(5%)
 All unspecified resistors are 5%.

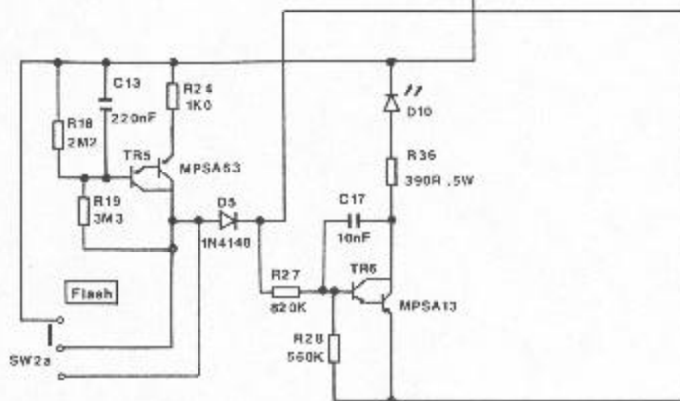
12VDC OPERATION:

Change R32 from 1M Ω to 2M Ω .
 If using with PS-3, replace D6 & D9 with links.
 (PS-3 bridge performs same function.)
 If incandescent lamp, change to 12V.



© COPYRIGHT 1992 BY
 Technical Projects, Inc.
 Barrington, Illinois, U.S.A.

BP-1 (Portable) and HS-1 (Fixed) Headset Stations
 PC Board 90005 Rev.3 & 90016 Rev.1



Notes Re: HS-1
 R36 and D10 replaced by incandescent lamp.
 Change C22 & C27 to 100uF/50V
 Add C29 parallel to C22 - 100uF/50V
 Add C28 parallel to C27 - 100uF/50V
 Terminal Strip replaces XLR1 & XLR2