

LIMITED WARRANTY* ONE (1) YEAR:

Your *Elite Gourmet* small kitchen appliance is built with precision, inspected and tested before leaving our factory. It is warranted, to the original purchaser or, to be free from any manufacturing defects under normal use and conditions for one (1) year, cord excluded. During that period, should the appliance fail to operate properly, return the appliance with your sales receipt to the store where purchased. This warranty gives you special legal rights and you may also have other rights to which you are entitled, which may vary from state to state. If you use your appliance for household use and according to instructions, it should give you years of satisfactory service.

This limited warranty covers appliances purchased and used within the surrounding United States and does NOT cover:

- Damages caused from improper usage or installation of appliance.
- Damages caused from shipping.
- Defects other than manufacturing defects.
- Breakage caused by misuse, abuse, accident, alteration, lack of proper care and maintenance, or incorrect current or voltage.
- The loss or missing parts of the appliance. Parts will need to be purchase separately.
- Damage from service by other than an authorized dealer or service center.
- Any transportation and shipping charges.

RETURNS: Any return of defective merchandise to the manufacturer must be processed accordingly by contacting customer service first to obtain RA # (Return Authorization Number). We will not accept any returns of merchandise without an applicable RA #.

*One Year Warranty valid only in the United States, **excluding** Alaska, Hawaii, and Puerto Rico.

For international warranty, please contact the local distributor.

**Any instructions or policy included in this manual may subject to change at any time.

*Any instructions or policy included in this manual may subject to change at any time.

Model ERC-003ST thru 015ST *Elite Gourmet* Rice Cooker with Steamer

MAXI-MATIC, USA

18401 E. Arenth Ave. City of Industry, CA 91748

Customer Service Dept: (626) 912-9877 Ext: 120

www.maxi-matic.com

email: info@maxi-matic.com

Elite
Gourmet

Rice Cooker with Steamer Attachment

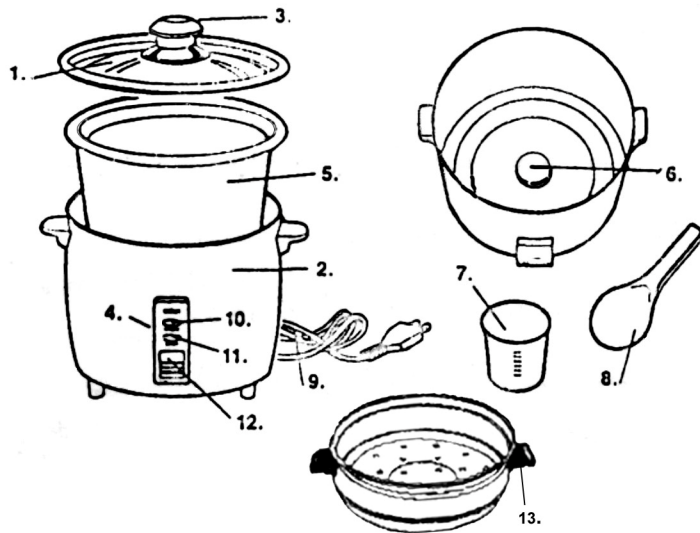


**Model ERC-003ST (3 Cup Capacity)
 ERC-008ST (8 Cup Capacity)
 ERC-010ST (10 Cup Capacity)**

Instruction Manual

Parts & Contents

Before using your Electric Rice Cooker for the first time, you should become familiar with all of the parts. Read all instructions and safeguards carefully before operating the unit.



- 1) Lid
- 2) Heating Body
- 3) Handle
- 4) Rice Cooking Switches

- 5) Inner Pot
- 6) Heating Plate
- 7) Measuring Cup
- 8) Ladle

- 9) Cord
- 10) "Warm" light
- 11) "Cook" light
- 12) Plug receptacle
- 13) Steamer

Important Safeguards

When using electrical appliances, basic safety precautions should always be followed, including the following:

1. Read all instructions before operating.
2. Do not touch hot surfaces. Use handles or knobs.
3. To protect against electrical shock, do not immerse cord, plug or appliance itself in water or other liquids.
4. Close supervision is necessary when appliance is used by or near children.
5. Unplug from outlet when not in use and before cleaning. Allow to cool before putting on or taking off parts.
6. Do not operate any appliance with a damaged cord or plug or after the appliance malfunctions or has been damaged in any manner. Return the appliance to the nearest authorized service facility for examination, repair or adjustment.
7. The use of accessory attachments not recommended by the appliance manufacturer may cause injuries.
8. Do not use outdoors.
9. Do not let cord hang over edge of table or counter or touch hot surfaces.
10. Do not place on or near a hot gas or electric burner, or in a heated oven.
11. Always attach plug to appliance first, then plug cord into wall outlet. To disconnect, turn any control to OFF position, then remove plug from wall outlet.
12. Oversized foods or metal utensils must not be inserted in the appliance as they may cause a fire or risk of electrical shock.
13. A fire may occur if the appliance is covered or touching flammable material including curtains, draperies, walls and the like when in operation.
14. Do not clean with metal scouring pads. Pieces can break off the pad and touch electrical parts, involving a risk of electrical shock.
15. Extreme caution should be exercised when using containers constructed of other material other than metal or glass.
16. Do not store any materials other than manufacturers recommended accessories in this unit when not in use.
17. Do not place any of the following materials inside the unit: Paper, cardboard, plastic and the like.

SAVE THESE INSTRUCTIONS

THIS PRODUCT IS FOR HOUSEHOLD USE ONLY!

Before using your new Rice Cook

- 1) Only use this product with the correct AC voltage outlet. [For correct rated voltage, see box and label at the bottom of rice cooker unit.]
- 2) Be sure to unplug AC cord when pan is not in cooker, or when cooker is not being used. Remember the "Keep Warm" feature operates whenever the AC cord is plugged in.
- 3) Place the inner pot inside the cooker before operating. Turn the pot gently to the right and left.
- 4) If the switch button is difficult to depress to the "Cook" position, do not try to force it down. This difficulty usually occurs when inner pot is not fully inserted into the cooker or when the cooking cycle has just completed.
- 5) Place the lid on your inner pot while cooking. Keep the lid in place after serving to prevent your rice from drying out or discoloring.
- 6) Keep bottom of inner pot and surface of heater plate free of foreign matter to prevent operating malfunctions.

Check that the voltage on the rating plate of your appliance corresponds with your house electricity supply which must be A.C. (Alternating Current).

If the socket outlet in your home is not suitable for the plug supplied with this appliance, the plug should be removed and fitted the appropriate one.

WARNING: The plug removed from the mains lead, if severed, must be destroyed as a plug with bared flexible cord is hazardous if engaged into a live socket outlet.

? **ATTENTION: This appliance has a polarized plug (one blade is wider than the other). To reduce the risk of electric shock, this plug is intended to fit into polarized outlet only one way. If the plug does not fit fully into the outlet, reverse the plug. If it still does not fit, contact a qualified electrician. Do not attempt to modify the plug in the way.**

WARNING: This appliance must be earthed.

Before using your cooker for the first time, wash and dry the bowl, steamer tray, lid and spatula in warm, soapy water. Afterwards dry thoroughly.

Maintenance Procedures

- 1) Remove inner pot and lid and wash them in hot soapy water, taking care to rinse completely, then dry with a soft cloth.
- 2) Clean outside of cooker with a clean damp cloth. Never clean any part of the cooker with abrasive cleaner. Use a damp cloth or sponge with water and mild dish detergent. Do not submerge any part of cooker in water. Wash only inner pot and lid.
- 3) To clean the heating plate and thermo-control plate, use steel wool to polish or remove any residue. Then wipe with a damp cloth. Allow to dry completely before re-using. You must keep the heating plate and thermo-control plate free from any foreign objects, otherwise the cooker will not operate properly.
- 4) Improper cleaning of cooker may cause unpleasant odors.
- 5) Any residue to the vinegar or salt may cause pan to corrode.

How to Use

Always use the measuring cup provided in the package to measure and add rice to the inner pot.

COOKING RICE:

With measuring cup, add amount of water to the rice inside the inner pot according to the following estimated measurements provided below.

| <u>Cups of Uncooked Rice</u> | <u>Water added to line on pot</u> |
|------------------------------|-----------------------------------|
| 15 Cups | 15 - 15 ½ Cups |
| 14 Cups | 14 - 14 ½ Cups |
| 12 Cups | 12 - 12 ½ Cups |
| 10 Cups | 11 - 11 ½ Cups |
| 8 Cups | 9 - 9 ½ Cups |
| 6 Cups | 7 - 7 ½ Cups |
| 4 Cups | 5 - 5 ½ Cups |
| 2 Cups | 3 - 3 ½ Cups |

- 1) Set inner pot in cooker. Place rice and water in inner pot. Turn pan gently to right and left. Close lid securely.
- 2) Plug in power cord. Do not plug in until ready to cook. Otherwise rice may be spoiled. If pot is not in cooker, cooking will not begin.
- 3) Press switch to "Cook", indicator switch will say cooking has started.
- 4) When rice is done, the switch will pop up. Let rice stand covered for 15 minutes to steam rice.
- 5) Unplug after use. Grasp by the plug, not the cord to release.

STEAMING:

You can also use your rice cooker to steam a variety of foods such as vegetables, fish, and even potatoes.

- 1) Fill the steamer attachment with desired food for steaming.
- 2) Fill the rice cooker half way with room temperature water.
- 3) Set the steamer onto the rice cooker.
- 4) Cover with glass lid.
- 5) Press the switch to "Cook", indicator switch will say cooking has started.
- 6) Be careful when removing the lid for hot steam will rush out.

STEW:

Stewing in the rice cooker is quite similar to stewing in a slow cooker. Simply combine all the ingredients for your stew and place into the inner pot. Make sure when stewing that the water capacity should not be more than 70% of the volume of the inner pot.

Simply follow the instructions for cooking rice to stew with your deluxe rice cooker.