

LOW PRESSURE TRANSDUCER/TRANSMITTER

Models 210, 310




FEATURES:

- Wet-wet, gauge pressure measurement
- 500 psi pressure overload
- Type 316 stainless all welded construction
- Explosion proof ratings available
- Accuracy to $\pm 0.1\%$ FSO

PRESSURE RANGES:

- From 0-5" wc through 0-200 psi
(See ordering guide)

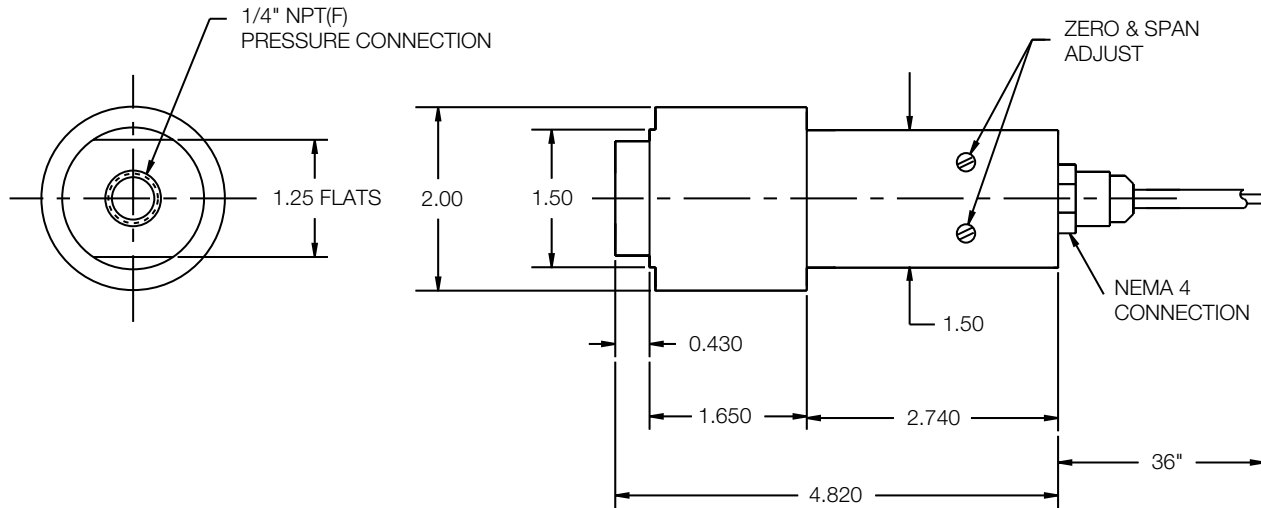
MODEL	OUTPUT @ 70°F	EXCITATION
210	0-5 Vdc FSO	10.2-32 Vdc
310	4-20 mA FSO	13-37 Vdc
210X 310X 	Explosion proof rated Class I, II, III, Division I, Groups A, B, C, D, E, F, G. Shaded options.	

GENERAL PURPOSE

OUTLINE



Some options will affect dimensions.
Consult factory if important.



WIRING CODE CODE

		210	310
A/1	Red	+ Excit.	+ Excit./Signal
B/2	Green	+ Signal	NC
C/3	White	NC	NC
D/4	Black	- Excit./Signal	- Excit./Signal
E/5	Blue	NC Option GH	NC Option GH
F/6	Brown	NC Option GH	NC Option GH
	Shield	Open	Open

SPECIFICATIONS

Unless otherwise stated, these specifications are the standards to which the units are normally constructed. Alterations may be easily and readily accomplished by the standard modification code or by discussion with the factory. We invite your inquiry

Accuracy (non-linearity, hysteresis, non-repeatability)	Series B (Std.) Series C Series D	±0.5% FSO RSS ±0.2% FSO RSS ±0.1% FSO RSS
Pressure Cavity Material*		316 stainless steel
Resolution		Infinite (0.01% FSO practical minimum)
Temperature Limits		
Compensated		+30°F to +170°F
Operating		0°F to +185°F
Storage		-40°F to +200°F
Temperature Compensation*		
Zero		Less than ±2.0% FSO/100°F
Span		Less than ±2.0% FSO/100°F
Orientation Shift		
Zero		±1 in wc maximum
Electricals		
Output Loading (Model 210)		3000 ohms minimum
Load Impedance (Model 310)		1200 ohms maximum at 37 Vdc
Zero Balance		Approximately ±20% FSO adjustment
Span		Approximately ±20% FSO adjustment
Mechanicals		
Response Time		< 100 milliseconds for 90% FSO @70°F
Frequency Response		Flat to 10 HZ
Proof Pressure		500 psi for all pressure ranges
Burst Pressure		2000 psi
Weight		28 oz. nominal
Connections*		
Pressure		1/4" NPT (F)
Electrical		
Model 210		6 conductor, 36" long
Model 310		4 conductor, 36" long
Enclosure Materials		316 stainless steel

* See modifications on ordering guide.

ORDERING GUIDE

Ordering: Specify model, and pressure range and indicate modifications or accessories required. Only shaded codes and options are available with Explosion-Proof ratings.

Use the following codes to identify desired item.

MODEL	SERIES	RANGE	PRESSURE TYPE	OPTIONS
•	—	•	—	• / • / •

Example: 310-C-WX-2-CA/GH

MODEL

210	0-5 Vdc
310	4-20 mA
210X	0-5 Vdc
310X	4-20 mA

SERIES

B	0.5% FSO
C	0.2% FSO
D	0.1% FSO

PRESSURE RANGE

in. wc			
WT	5	XM	150
WV	7.5	XO	200
WX	10	XQ	300
WZ	15	XS	500
XB	20	XU	750
XD	30	XW	1000
XF	50	XY	1500
XH	75	YA	2000
XK	100	SZ	Other

psi			
PC	1	PR	20
PE	2	PT	30
PG	3	PV	50
PJ	5	PX	75
PL	7.5	PZ	100
PN	10	RB	150
PP	15	RD	200
SZ	Other		

PRESSURE TYPE

2 Gage	8 Elevated	10 Compound
4 Vacuum	9 Other	

OPTIONS

AA None (standard connector with a 36" pigtail)

ALTERNATE CONNECTOR OR CABLE

CA	Bendix PTIH-10-6P (Mate PTO6E-10-6S [SR], not supplied)
CB	Bendix CF3102E-14S-6P (Mate CF3106E-14S-6S, not supplied)
CE	Terminal Block
CF	1/2" NPT (M) conduit connection with 36" leads
CH	NEMA-4X cable, 8' vented polyurethane jacket
CL	1/2" NPT (M) conduit, 2' vented polyurethane jacketed cable
CT	Teflon jacketed cable, Tefzel used on submersible units (options CH, CL, CW, DE, GM)
CZ	Other

ALTERNATE PRESSURE PORT

FA	MS33649-4 (1/4 AND - 10050)
FC	3/8" NPT (F)
FH	1/8" NPT (F)
FJ	1/4" NPT (M)
FZ	Other

GENERAL

DE	IP-67 (NEMA-6) vented polyurethane jacket cable, neoprene grommet
CW	Submersible housing, 8' non-vented polyurethane jacket cable, neoprene grommet, and 1/2" NPT (M) conduit
GB	Alternate pressure range, pressure units, or full scale outputs that are non-standard
GE	Improved temperature compensation to $\pm 0.5\%$ FSO / 100°F for zero and span respectively
GH	Internal calibration resistor set to $100 \pm 0.5\%$ FSO unless otherwise specified
GL	Cleaning for oxygen service
GM	Submersible housing, 8' polyurethane jacket cable, neoprene grommet, and conduit fitting. (Zero and span controls are not provided with this option)
GS	0-10 Vdc FSO. (Model 210 Requires 16-42 Vdc excitation)
HL	RFI protection
JH	Remote cable mounted zero and span controls
GZ	Customer special

GP:50 reserves the right to make product improvements and amend-ments to the product specification stated throughout this brochure without prior notification. Please contact the factory on all critical dimensions and specifications for verification.