

# HAMMER UNION PRESSURE TRANSDUCER / TRANSMITTER

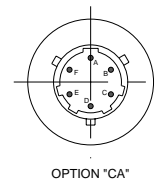
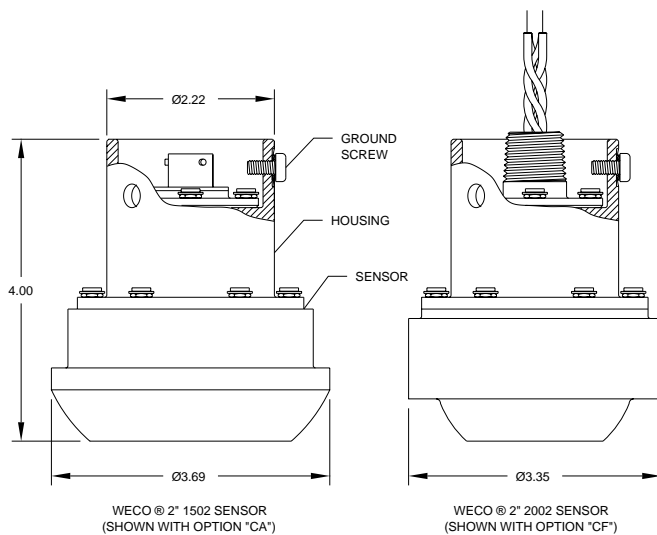
**Models 170, 270, 370**

Designed specifically for use with either WECO® 2" 1502 or 2" 2002 Wing Union Fittings for the high pressure/vibration environments encountered in Oil Well servicing applications such as Cementing, Fracturing, Mud Pressure Measurement and Acidizing.



## FEATURES:

- 8-gage sensor design to diminish "clamping effects" of Wing Union
- Inconel X-750 sensor material
- Tapered sensor cavity
- 316SST housing
- RFI protection
- Recessed connector for protection
- Optional carrying handle (removable)
- ≤ 0.25% static accuracy
- Standard 80% shunt calibration
- Consult factory for custom options



STANDARD PIN CONNECTIONS  
6-PIN BENDIX, PTH-10-6P  
(CONSULT FACTORY FOR PIN CONNECTIONS OF ALTERNATE CONNECTOR CONFIGURATIONS)

PIN	MODEL 170 & 270	MODEL 370
A	+ EXCITATION	+ EXCITATION/SIGNAL
B	- EXCITATION	- EXCITATION/SIGNAL
C	+ SIGNAL	NO CONNECT
D	- SIGNAL	NO CONNECT
E	+ SHUNT/CALIBRATION	+ SHUNT/CALIBRATION
F	- SHUNT/CALIBRATION	- SHUNT/CALIBRATION

Units are in inches, some options will affect dimensions. Consult factory if important.

# SPECIFICATIONS

Unless otherwise stated, these specifications are the standards to which the units are normally constructed. Alterations may be easily and readily accomplished by the standard modification code or by discussion with the factory. We invite your inquiry.

Accuracy	Static Error Band $\leq 0.25\%$ FSO (RSS) (Non-linearity, Hysteresis, Non-repeatability)		
Zero Balance	Model 170 0.0 mV/V $\pm 1\%$ FSO @ 10 Vdc ( $\pm 0.25\%$ FSO available, option "HE")		
	Model 270 0.0 V $\pm 1\%$ FSO @ 24 Vdc ( $\pm 0.25\%$ FSO available, option "HE")		
	Model 370 4.0 mA $\pm 1\%$ FSO @ 24 Vdc ( $\pm 0.25\%$ FSO available, option "HE")		
Full Scale Output	Model 170 3 mV/V		
	Model 270 5 Vdc		
	Model 370 20 mA		
Temperature Limits	Compensated -40°F to 180°F (-40°C to 80°C)		
	Operating -50°F to 190°F (-45°C to 85°C)		
Temperature Compensation	Zero Less than $\pm 1.0\%$ FSO/100°F		
	Span Less than $\pm 1.0\%$ FSO/100°F		
Electricals	Model 170	Model 270	Model 370
Excitation Voltage	16 Vdc max	10-36 Vdc	10-36 Vdc
Input Current	45 mA	8 mA	23 mA max
Output Current	N/A	10 mA	23 mA max
Load Impedance	> 10k ohms	> 5K ohms	N/A
Mechanicals	Proof Pressure 1.50 times pressure range*		
	Burst Pressure 3.00 times pressure range*		
Materials of Construction	Sensor Inconel X-750		
	Housing 316 Stainless Steel		
Connections	Pressure WECO® 2" 1502 or WECO® 2" 2002		
	Electrical Bendix PTIH-10-6P		
Identification	Electro-chemically etched on housing		

## ORDERING GUIDE

Ordering: Specify model, and pressure range and indicate modifications or accessories required.

MODEL	SENSOR STYLE	RANGE	OPTIONS
•	—	•	• / • / •

Example: 370-A-SB-ME/CA

Use the following codes to identify desired item:

### MODEL

170 3 mV/V  
270 0-5 Vdc  
370 4-20 mA

### SENSOR STYLE

A WECO® 2" 1502  
B WECO® 2" 2002

### PRESSURE RANGE\*

RV 5000 psig  
RW 6000 psig  
RX 7500 psig  
RZ 10000 psig  
SB 15000 psig  
SD 20000 psig

### OPTIONS

HE Improved Zero Balance  
ME 80% Shunt Calibration (Standard)  
GH 100% Shunt Calibration

### CONNECTORS

CA Bendix 6-pin PTIH-10-6P (Standard)  
CF 1/2" NPT with 18" 18AWG MTW cable  
DK Glenair 4-pin GC379-2-14S-2P (shunt calibration not available for Models 170 and 270)

\* Consult WECO® Union Manufacturer for published pressure maximums

WECO® is a Federally Registered Trademark with FMC Technologies

GP:50 reserves the right to make product improvements and amendments to the product specification stated throughout this brochure without prior notification. Please contact the factory on all critical dimensions and specifications for verification.

Consult factory for more options, such as Carrying Handle, Optional Materials, Alternate Connectors and Replacement Fasteners.