

FLIGHT QUALIFIED HIGH LEVEL PRESSURE TRANSDUCER

Model 7200 "B+" and "S" Class Electronics Available

Designed for the tough challenges and environmental rigors of space propulsion and aviation pressure testing.

- Satellites: Commercial and Defense
- Ground & Engine Test
- Launch Vehicles
- Aircraft Systems / Avionics

Heritage Includes:

- NASA
- Lockheed Martin (EELV)
- EELV
- Johns Hopkins APL
- Shuttle Upgrade
- Boeing
- TRW-ABL
- Northrop Grumman



Shown at left for pressure ranges 15 thru 15,000 psi, shown at right for pressure ranges 10 psi and below.

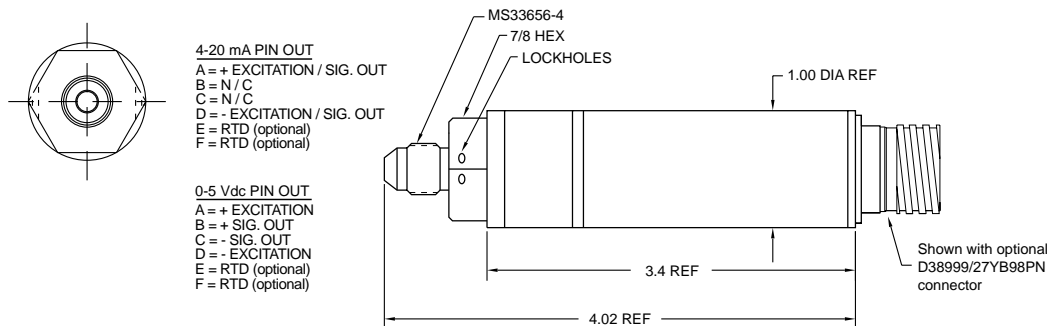
FEATURES:

- High accuracy, 0.3% RSS standard (0.1% RSS available)
- Proprietary mechanical isolation of the sensor for zero stability
- Cavity material options for extreme environments
- 10X overload option
- Isolated, 0-5 Vdc, 0-10 Vdc, 4-20 mAdc outputs
- 100 ohm or 1000 ohm platinum RTD temperature options
- 100 G's Pk/Pk (3500 G shock), 1 Hr / Axis qualified
- 24 Grms 1Hr / Axis (3500 G shock) qualified
- Over 1,000,000 continuous cycles
- "B+" and "S" class electronics available
- Cleaning to MIL-STD-1246 available

All GP:50 Aerospace pressure transducers are manufactured and tested to the following MIL-STD and MIL-Spec standards to insure the highest quality assurance:

- NIST Traceability and CalibrationMIL-STD-45662A
- Workmanship J-001 / NASA 8739.3 standards
- Quality System ISO 9001:2000

Designed to: MIL-STD-810C&E
MIL-STD-461/462D&E



- NOTES:**
1. WEIGHT = 5.0 OZ WITH MODULE
 2. HIGH LEVEL 0-5 VDC OR 0-10 OUTPUT
 3. 5000 OHM GAGES
 4. -65° TO +250°F OR COMPENSATED TEMPERATURE RANGES

Units are in inches. See reverse side for specifications and ordering guide.

SPECIFICATIONS

These specifications are the standards to which the units are normally constructed. Alterations may be easily and readily accomplished by the standard modification code or by discussion with the factory. Traceability, customer ATP, additional testing and construction options are available. We invite your inquiry.

Ranges	3 thru 20,000 PSIA, PSIG or PSISG options
FS Output at Rated Pressure	0-10 Vdc / 0-5 Vdc Isolated / 4-20 mA 2 Wires and Isolation Option
Temperature Output	100 Ohm 2 wire platinum RTD optional, 1000 Ohm 2 wire platinum RTD also available
Proof Pressure	1.5X with 25 psia min, 10X optional
Burst Pressure	2.0X (4500 secondary containment) (300 min)
Excitation or Input Voltage	18V-36Vdc Unregulated, +12, +15 Vdc Regulated
Reverse Polarity Protected	
Non-Repeatability	< 0.1% FSO
Non-Linearity	< 0.2% FSO
Hysteresis	< 0.2% FSO
Static Accuracy RSS	< 0.3% FSO RSS, 0.1% optional
Error Band (all 5 parameters)	1.5% FSO, 1.0% optional
Pressure Medium (Wetted Materials)	316SS port, 15-5 sensor (Inconel, Hastelloy optional)
Temperature Compensation	-10°F to +180°F / -20°C to +80°C, expanded range optional
Operating/Environmental Temperature	-20°F to +190°F / -30°C to +90°C
Weight	5 oz. (some options may affect weight)
Pressure Port	MS 33656-4 (M)
Electrical Connector	PTIH-10-6P, MIL D38999 series III
Shunt Cal 80% Option	Internal
Vibration, Shock, Acceleration	25 Grms / 100G's Pk/Pk / 3500 G Pyroshock / 12g
Design meets MIL-STD-810C&E requirement	
Response Time	Under 4 ms
Meets MIL-STD-461/462 EMI/RFI	Some options will affect EMI/RFI rating

ORDERING GUIDE:

Some options will affect dimensions, consult factory if important.

Use the following codes to identify desired item.

MODEL	OUTPUT	RANGE	PRESSURE TYPE	OPTIONS
•	—	•	—	•

Example: 7200-2-RH-A-CA/FD/GH

OUTPUT

2	0-5 Vdc 4 wire hookup
3	4-20 dcmA
4	0-5 Vdc Isolated
5	0-10 Vdc 4 wire hookup
6	0-10 Vdc Isolated
9	0-5 Vdc 3 wire hookup
10	0-10 Vdc 3 wire hookup

RANGE (PSI)

PG	0-3*	RH	0-500
PJ	0-5*	RK	0-750
PN	0-10*	RM	0-1000
PP	0-15	RO	0-1500
PR	0-20	RR	0-2000
PO	0-25	RT	0-3000
PV	0-50	RV	0-5000
PZ	0-100	RX	0-7500
RB	0-150	RZ	0-10,000
RD	0-200	SB	0-15,000
RF	0-300		Contact factory for non-standard pressure ranges

* Can dia. 1.5"

PRESSURE TYPE

A	Sealed Absolute, ref to vacuum
G	Gage, ref to atmosphere
SG	Sealed Gage, ref to 14.7 psia

OPTIONS

CONNECTORS:

CA	PTIH-10-6P Bendix
CI	D38999/27YB98PN
DB	D38999/27YA35PN

PORTS:

FA	MS33649-4, 7/16-20 (F) (made with an adapter)
FD	MS33656-4, 7/16-20 (M)
FJ	1/4" NPT (M)

MISC:

D	Improved Static Accuracy to 0.1% and Total Error Band to 1.0%
GB	Alternate Full Scale Outputs
GD	10X Proof Pressure (may affect overall performance, not available with options GF, GK, GP)
GF	Expanded Temperature Range, -65 to +250°F (Compensated to ± 2% FSO/100°F)
GH	100% Internal Shunt
GK	Inconel Pressure Cavity
GL	Cleaning for oxygen service
GP	Hastelloy Pressure Cavity
JA	100 ohm 2 wire RTD
JB	1000 ohm 2 wire RTD
ME	Shunt Cal, 80% Internal

GP:50 reserves the right to make product improvements and amendments to the product specifications stated throughout this brochure without prior notification. Please contact the factory on all critical dimensions and specifications for verification.