

SPACE QUALIFIED IN-FLOW, LIGHTWEIGHT, LOW NOISE PRESSURE TRANSDUCER

Model 7901 "S" Class Electronics Available

Designed for the tough challenges and environmental rigors of space propulsion and aviation pressure testing.

- Miniature Propulsion Platforms
- Space Vehicles
- Satellite Propulsion
- Launch Vehicles
- Life Support Systems



Heritage Includes:

- NASA Goddard
- NASA Marshall

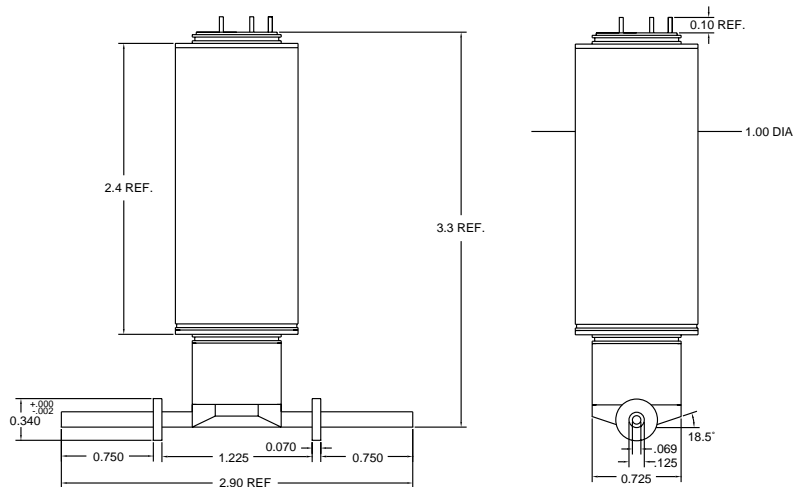
FEATURES:

- < 3 mV peak-to-peak noise on output
- Under 55 grams mass (depending on desired options)
- High Accuracy, 0.3% RSS standard (0.1% RSS available)
- "S" Class electronics available
- Rad-Hard 100 KRAD optional
- Flow-Thru design
- Isolated outputs for EMI/RFI
- Optional temperature compensation ranges
- Temperature (RTD) output optional
- Shock and Vibration tested to MIL-STD-810C&E requirements

All GP:50 Aerospace pressure transducers are manufactured and tested to the following MIL-STD and MIL-Spec standards to insure the highest quality assurance:

- NIST Traceability and CalibrationMIL-STD-45662A
- Workmanship J-001 / NASA 8739.3 standards
- Quality System ISO 9001:2000

Designed to: MIL-STD-810C&E
MIL-STD-461/462D&E



Units are in inches.

See reverse side for specifications and ordering guide.

SPECIFICATIONS

These specifications are the standards to which the units are normally constructed. Alterations may be easily and readily accomplished by the standard modification code or by discussion with the factory. Traceability, customer ATP, additional testing and construction options are available. We invite your inquiry.

Ranges	15 thru 5,000 PSIA, PSIG or PSISG options
FS Output at Rated Pressure	3 mV/V, 0-5 Vdc Isolated, 0-10 Vdc Isolated
Proof Pressure	1.5X
Burst Pressure	2.0X
Excitation or Input Voltage	5 Vdc, 12 Vdc, 18V to +36 Vdc Isolated
Reverse Polarity Protected	
Non-Repeatability	< 0.1% FSO
Non-Linearity	< 0.2% FSO
Hysteresis	< 0.2% FSO
Static Accuracy RSS	< 0.3% FSO RSS, 0.1% optional
Error Band (all 5 parameters)	1.0% standard
Pressure Medium (Wetted Materials)	316SS
Temperature Compensation	-20° to +120°F / -30° to +50°C, expanded range optional
Operating/Environmental Temperature	-100°F to +250°F
Weight	< 55 grams
Pressure Port	Welded 1/4" ID SS Tube, flow through, in-line design (other ports available)
Electrical Connector	MIL PTIH-10-6P (other connectors available)
Response Time	Under 4 ms
Meets MIL-STD-461/462 EMI/RFI and 810C&E	

ORDERING GUIDE:

Some options will affect dimensions, consult factory if important.

Use the following codes to identify desired item.

MODEL	OUTPUT	RANGE	PRESSURE TYPE	OPTIONS
• — • — • —			• —	•

Example: 7901-2-RH-A-CA/FD/GH

OUTPUT

- 1 0-3 mV/V
- 4 0-5 Vdc Isolated
- 6 0-10 Vdc Isolated

RANGE (PSI)

- | | | | |
|----|-------|----|--------|
| PP | 0-15 | RH | 0-500 |
| PR | 0-20 | RK | 0-750 |
| PO | 0-25 | RM | 0-1000 |
| PV | 0-50 | RO | 0-1500 |
| PZ | 0-100 | RR | 0-2000 |
| RB | 0-150 | RT | 0-3000 |
| RD | 0-200 | RV | 0-5000 |
| RF | 0-300 | | |

PRESSURE TYPE

- A Sealed Absolute, ref to vacuum
- G Gage, ref to atmosphere
- SG Sealed Gauge, ref to 14.7 PSI

OPTIONS

CONNECTORS OR CABLE:

- CA PTIH-10-6P Bendix
- CI D38999/27YB98PN
- CT 36" Teflon Jacket Cable
- DB D38999/27YA35PN

PORTS:

- FA MS33649-4, 7/16-20 (F)
(made with an adapter)
- FD MS33656-4, 7/16-20 (M)
- IF Welded 1/8" ID SS Tube

MISC:

- D Improved Static Accuracy to 0.1%
- GF Expanded Temperature Range, -65 to +250°F
(Compensated to ± 2% FSO/100°F)
- GH 100% Internal Shunt
- GL Cleaning for oxygen service
- JA 100 ohm 2 wire RTD
- JB 1000 ohm 2 wire RTD
- ME Shunt Cal, 80% Internal