

FLIGHT QUALIFIED HIGH LEVEL DIGITALLY CORRECTED PRESSURE TRANSDUCER

Model 8200 "B+" and "S" Class Electronics Available



Designed for the tough challenges and environmental rigors of space propulsion and aviation pressure testing.

Heritage Includes:

- Satellites: Commercial and Defense
- Ground & Engine Test
- Launch Vehicles
- Aircraft Systems / Avionics

- NASA
- Lockheed Martin (EELV)
- EELV
- Johns Hopkins APL
- Shuttle Upgrade
- Boeing
- TRW-ABL
- Northrop Grumman

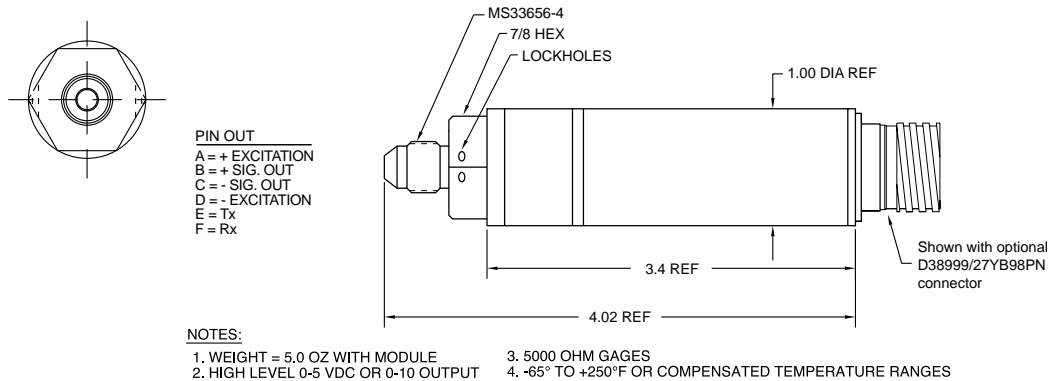
FEATURES:

- High accuracy, 0.08% RSS standard (0.05% RSS available)
- Proprietary mechanical isolation of the sensor for zero stability
- Cavity material options for extreme environments
- 10X overload option
- 0-5 Vdc Isolated or 0-10 Vdc Isolated digitally corrected output
- 100 G's Pk/Pk (3500 G shock), 1 Hr / Axis qualified
- 24 Grms 1Hr / Axis (3500 G shock) qualified
- Over 1,000,000 continuous cycles
- "B+" and "S" class electronics available
- Cleaning to MIL-STD-1246 available
- Serial port (RS-232) controlled zero & span adjustment

All GP:50 Aerospace pressure transducers are manufactured and tested to the following MIL-STD and MIL-Spec standards to insure the highest quality assurance:

- NIST Traceability and CalibrationMIL-STD-45662A
- Workmanship J-001 / NASA 8739.3 standards
- Quality System ISO 9001:2000

Designed to: MIL-STD-810C&E
MIL-STD-461/462D&E



Units are in inches. See reverse side for specifications and ordering guide.

SPECIFICATIONS

These specifications are the standards to which the units are normally constructed. Alterations may be easily and readily accomplished by the standard modification code or by discussion with the factory. Traceability, customer ATP, additional testing and construction options are available. We invite your inquiry.

Ranges	3 thru 20,000 PSIA, PSIG or PSISG options
FS Output at Rated Pressure	0-5 Vdc Isolated or 0-10 Vdc Isolated Digitally corrected output
Proof Pressure	1.5X with 25 psia min, 10X optional
Burst Pressure	2.0X (4500 secondary containment) (300 min)
Excitation or Input Voltage	18V-36Vdc Unregulated, +12, +15 Vdc Regulated
Reverse Polarity Protected	
Non-Repeatability	< 0.04% FSO
Non-Linearity	< 0.05% FSO
Hysteresis	< 0.05% FSO
Static Accuracy RSS	< 0.08% FSO RSS, 0.05% optional
Error Band (all 5 parameters)	1.0% FSO
Pressure Medium (Wetted Materials)	316SS port, 15-5 sensor (Inconel, Hastelloy optional)
Temperature Compensation	-10°F to +180°F / -20°C to +80°C, expanded range optional
Operating/Environmental Temperature	-20°F to +190°F / -30°C to +90°C
Weight	5 oz. (some options may affect weight)
Pressure Port	MS 33656-4 (M)
Electrical Connector	PTIH-10-6P, MIL D38999 series III
Shunt Cal 80% Option	Internal
Vibration, Shock, Acceleration	25 Grms / 100G's Pk/Pk / 3500 G Pyroshock / 12g
Design meets MIL-STD-810C&E requirement	
Response Time	Under 4 ms
Meets MIL-STD-461/462 EMI/RFI	Some options will affect EMI/RFI rating

ORDERING GUIDE:

Some options will affect dimensions, consult factory if important.

Use the following codes to identify desired item.

MODEL	OUTPUT	RANGE	PRESSURE TYPE	OPTIONS
•	—	•	—	•

Example: 8200-4-RH-A-CA/FD/GH

OUTPUT

- 4 0-5 Vdc Isolated
- 6 0-10 Vdc Isolated

RANGE (PSI)

- | | | | |
|----|-------|----|--|
| PG | 0-3* | RH | 0-500 |
| PJ | 0-5 | RK | 0-750 |
| PN | 0-10 | RM | 0-1000 |
| PP | 0-15 | RO | 0-1500 |
| PR | 0-20 | RR | 0-2000 |
| PO | 0-25 | RT | 0-3000 |
| PV | 0-50 | RV | 0-5000 |
| PZ | 0-100 | RX | 0-7500 |
| RB | 0-150 | RZ | 0-10,000 |
| RD | 0-200 | SB | 0-15,000 |
| RF | 0-300 | | Contact factory
for non-standard
pressure ranges |

* Can dia. 1.5"

PRESSURE TYPE

- A Sealed Absolute, ref to vacuum
- G Gage, ref to atmosphere
- SG Sealed Gage, ref to 14.7 psia

OPTIONS

CONNECTORS:

- CA PTIH-10-6P Bendix
- CI D38999/27YB98PN
- DB D38999/27YA35PN

PORTS:

- FA MS33649-4, 7/16-20 (F)
(made with an adapter)
- FD MS33656-4, 7/16-20 (M)

MISC:

- D Improved Static Accuracy to 0.05%
- GB Alternate Full Scale Outputs
- GD 10X Proof Pressure (may affect overall performance,
not available with options GF, GK, GP)
- GF Expanded Temperature Range, -65 to +250°F
(Compensated to ± 2% FSO/100°F)
- GH 100% Internal Shunt
- GK Inconel Pressure Cavity
- GL Cleaning for oxygen service
- GP Hastelloy Pressure Cavity
- ME Shunt Cal, 80% Internal

GP:50 reserves the right to make product improvements and amendments to the product specifications stated throughout this brochure without prior notification. Please contact the factory on all critical dimensions and specifications for verification.