

A canine distemper virus epidemic in Serengeti lions (*Panthera leo*)

Melody E. Roelke-Parker*†, Linda Munson‡##, Craig Packer*§, Richard Kock||, Sarah Cleaveland*¶#, Margaret Carpenter*, Stephen J. O'Brien*, Andreas Pospischil**, Regina Hofmann-Lehmann††, Hans Lutz††, George L. M. Mwamengele‡‡, M. N. Mgasal‡‡, G. A. Machange§§, Brian A. Summers||| & Max J. G. Appel¶¶

* Serengeti Wildlife Research Institute, Tanzania National Parks, Arusha, Tanzania

† Messerli Foundation, Zurich, Switzerland

‡ Department of Pathology, College of Veterinary Medicine, University of Tennessee, Knoxville, Tennessee 37901, USA

§ Department of Ecology, Evolution, and Behavior, University of Minnesota, St Paul, Minnesota 55108, USA

¶ Kenya Wildlife Service, Nairobi, Kenya

¶ Institute of Zoology, London NW1 4RY, UK

London School of Hygiene and Tropical Medicine, London WC1E 7HT, UK

** Laboratory of Viral Carcinogenesis, National Cancer Institute, Frederick, Maryland 21702, USA

** Institute of Veterinary Pathology, and †† Department of Veterinary Internal Medicine, University of Zurich, 8057 Zurich, Switzerland

‡‡ Department of Veterinary Pathology, Sokoine University of Agriculture, Morogoro, Tanzania

§§ Veterinary Investigation Center, Arusha, Tanzania

||| Department of Pathology, and ¶¶ James Baker Institute of

Animal Health, College of Veterinary Medicine, Cornell University, Ithaca, New York 14853, USA

CANINE distemper virus (CDV) is thought to have caused several fatal epidemics in canids within the Serengeti–Mara ecosystem of East Africa, affecting silver-backed jackals (*Canis mesomelas*) and bat-eared foxes (*Otocyon megalotis*) in 1978 (ref. 1), and African wild dogs (*Lycaon pictus*) in 1991 (refs 2, 3). The large, closely monitored Serengeti lion population^{4,5} was not affected in these epidemics. However, an epidemic caused by a morbillivirus closely related to CDV emerged abruptly in the lion population of the Serengeti National Park, Tanzania, in early 1994, resulting in fatal neurological disease characterized by *grand mal* seizures and myoclonus; the lions that died had encephalitis and pneumonia. Here we report the identification of CDV from these lions, and the close phylogenetic relationship between CDV isolates from lions and domestic dogs. By August 1994, 85% of the Serengeti lion population had anti-CDV antibodies, and the epidemic spread north to lions in the Maasai Mara National reserve, Kenya, and uncounted hyaenas, bat-eared foxes, and leopards were also affected.

In early 1994, six lions in the Serengeti National Park, Tanzania were observed with *grand mal* seizures, and three other lions developed facial and forelimb myoclonus (recurrent twitching). Additional lions were noted to be disoriented, ataxic and profoundly depressed. Between January and March 1994, 11 lion carcasses were found, representing a dramatic increase in mortality from previous years and indicating that a serious epidemic was emerging.

To investigate the epidemic, tissue and serum samples were obtained from 23 lions that died or were killed in a moribund state, 13 live lions with obvious signs of disease, and 72 apparently healthy, anaesthetized lions. Sera from 111 healthy lions sampled between 1984 and 1994 (refs 6–8) were also analysed to track previous exposure of this population to viruses. Tissues from 19

To whom correspondence should be addressed.

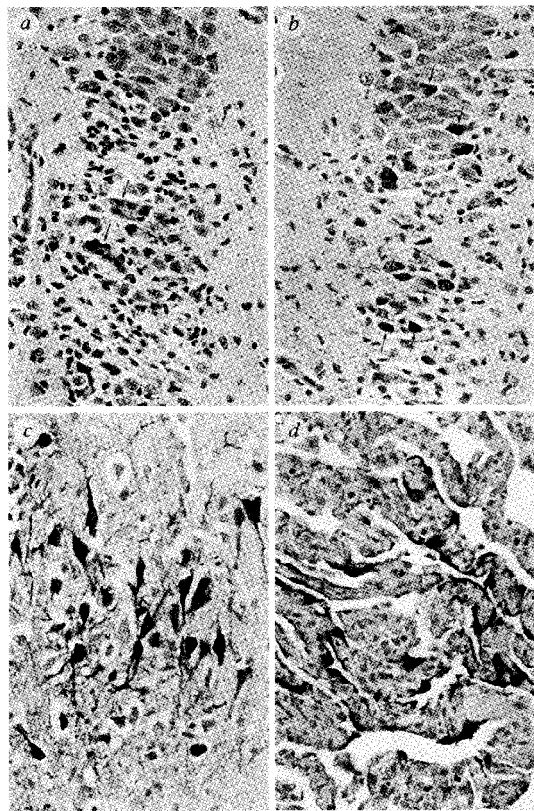


FIG. 1 Characteristic histopathological changes and intralosomal immunoreactive viral nucleocapsid antigens in tissues of African lions infected with canine distemper virus. *a*, Haematoxylin- and eosin-stained section of the brain from a lion with CDV encephalitis ($\times 350$). The dentate gyrus in the hippocampus has neuronal loss, dense gliosis and occasional multinucleated giant cells (arrows). *b*, Immunohistochemical identification by monoclonal antibody N3.991 against CDV-nucleocapsid protein in a similar area to *a*. Several neurons contain CDV antigen in the cytoplasm (some indicated by arrows) ($\times 350$). *c*, Immunohistochemical identification of CDV nucleocapsid in a parahippocampal gyrus ($\times 350$). Many neurons are strongly positive for CDV antigen in perikarya and neurites. *d*, Immunohistochemical identification of CDV nucleocapsid proteins in lung with interstitial pneumonia, characterized by type II pneumocyte hyperplasia and alveolar septal thickening ($\times 350$).

METHODS. Tissues were fixed in 10% formalin, embedded in paraffin, sectioned at 5–7 μm and stained with haematoxylin and eosin. Immunohistochemical procedures were applied to sections of formalin-fixed, paraffin-embedded tissues that had typical CDV lesions on stained sections to demonstrate intralosomal viral antigens¹⁰. Paraffin-embedded tissues had the paraffin removed, were treated to remove endogenous peroxidase, then incubated with a mouse monoclonal antibody to a CDV-N protein (MAb N3.991)¹¹, or with rabbit primary polyclonal antibody raised with the Rockborn strain of CDV. A commercial avidin-biotin kit was used to identify sites of monoclonal antibody binding to tissues, and a commercial peroxidase-antiperoxidase kit was used for polyclonal antibodies, then tissue sections were counterstained with Gill's haematoxylin, dehydrated and mounted with Permount. Negative controls were duplicate sections stained using a monoclonal antibody for influenza virus replacing CDV monoclonal antibodies, and positive controls were brain sections from a confirmed case of CDV in a domestic dog.

dead lions, examined by histopathology, had either encephalitis, interstitial pneumonia, and/or lymphocytic depletion in lymph nodes and spleen (Fig. 1; Table 1). Rare multinucleated syncytia and intranuclear and/or intracytoplasmic viral inclusions characteristic of morbilliviral infection⁹ were also found in these lions (Table 1). Because these lesions were seen in zoo cats in the United States in the 1991 and 1992 canine distemper epidemics¹⁰, we used monoclonal¹¹ and polyclonal CDV antibodies to confirm that CDV nucleocapsid antigens were present in affected tissues. We then tested all available lion sera for neutralizing antibody titres to CDV^{10,12}, and found that 63 of the 72 apparently healthy lions and 8 of the 11 sick lions sampled in 1994 had CDV titres (Fig. 2a). We isolated CDV from the cerebrospinal fluid of one lion cub with *grand mal* seizures that subsequently died with CDV encephalitis¹³. The monoclonal antibody-binding pattern of this virus was compared to binding patterns of viruses isolated from: a bat-eared fox (*O. megalotis*), a spotted hyaena (*Crocuta crocuta*), and a domestic dog that died during the 1994 Serengeti epidemic; with CDV isolated from a raccoon (*Procyon lotor*) and fox (*Vulpes vulpes*); and with a virulent CDV (A75-17, 1975) and two strains of attenuated CDV from domestic dogs (Rockborn 1958 and Onderstepoort 1948). Monoclonal antibodies were donated by C. Orvell (Huddinge, Sweden), and were directed against viral nucleoprotein (N), polymerase (P), fusion glycoprotein (F), and haemagglutinin glycoprotein (H). Lymphocytes infected with the Serengeti lion virus bound the same group of CDV monoclonal antibodies as cells infected with these other viruses, suggesting that the lion morbillivirus was CDV. To characterize further the lion morbillivirus, the genomic sequences of the CDV P gene, a conserved region of the virus, were amplified from buffy-coat

lymphocytes of two lions with neurological signs. Phylogenetic relationships between the P-gene sequences of the two RT-PCR-derived lion CDV and the P-gene sequences of other morbilliviruses were then examined. These analyses (Fig. 3) indicated that Serengeti lion CDV virus is closely related to the Onderstepoort strain of canine distemper virus isolated from a domestic dog in South Africa. The statistics of the epidemic are given in Table 1.

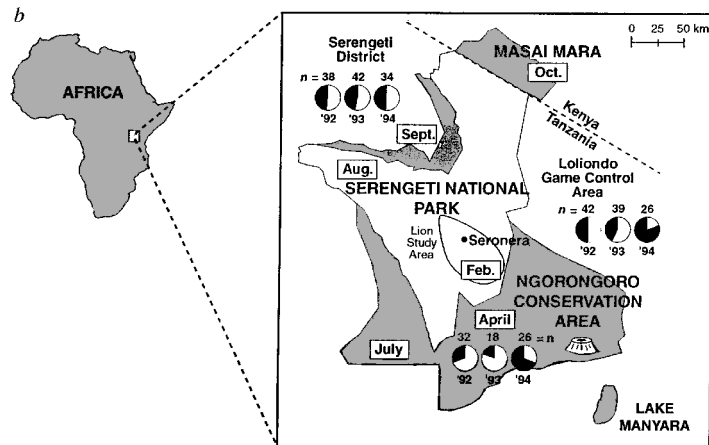
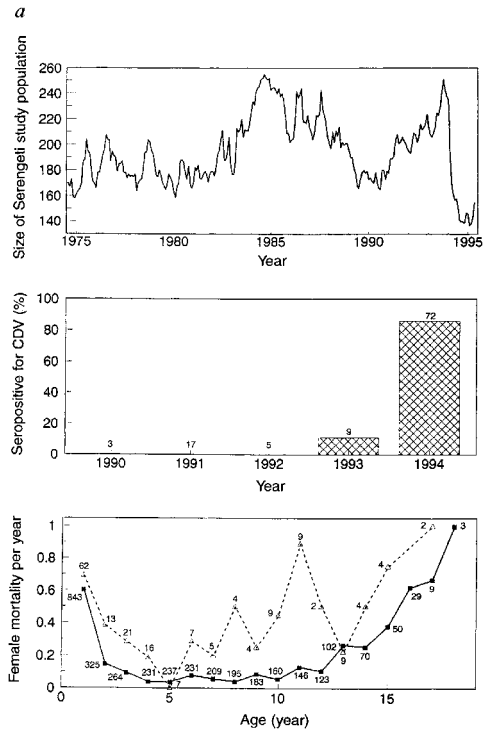
Later in 1994, CDV-infected lions were identified in the northern and western areas of the Serengeti National Park and in the Maasai Mara National Reserve in Kenya (Fig. 2b). Of 54 apparently healthy lions sampled from October 1994 to March 1995 in the Mara and neighbouring areas of Kenya, 23 had high serum titres of CDV antibodies, suggesting recent exposure.

During 1994, 39 CDV-associated lion deaths were documented, but this is probably an underestimation of true mortality statistics because most of the Serengeti lion population outside the Seronera study area is not under close observation. The overall lion population in the Serengeti ecosystem, estimated at 3,000 before the outbreak, is now estimated at 2,000. In 1994 and 1995, CDV-related deaths were also confirmed in seven spotted hyaenas (*C. crocuta*) by pathology and virology. Because CDV is historically not pathogenic in lions or hyaenas^{3,14}, the emerging biotype of CDV has apparently extended its host range. During the epidemic, CDV-induced disease also was confirmed in two bat-eared foxes, and CDV-like neurological disease was observed in a common jackal (*Canis aureus*) and two silver-backed jackals, indicating that the Serengeti CDV biotype conserves its pathogenicity for canids.

The magnitude of this epidemic may be explained in part by the lion population being immunologically naive to CDV when it was introduced in 1994. All but one of the 34 lions sampled between 1990 and 1993 were seronegative, and the seropositive lion was

Fig. 2 a, Temporal patterns of mortality and seroconversion in the long-term study population of lions in the Serengeti National Park. Top, number of lions resident in the long-term study area, measured monthly from August 1974 to February 1995 (refs 4, 5). Middle, prevalence of anti-canine distemper virus (CDV) antibodies¹⁰ in Serengeti lions from 1990 to 1994. The single seropositive lion in 1993 was sampled in December. Bottom, age-specific mortality (proportion dying per year) in female lions in the study population. The solid line represents the combined mortality rate from 1966 to 1993; the broken line represents mortality in 1994. Male mortality was comparable to female mortality, but was not included here because male disappearances could also be caused by normal, non-disease-related dispersals^{4,5}. b, Chronology and geographic distribution of CDV disease in the Serengeti ecosystem. The months in boxes are dates in 1994 when lions were first observed with neurological disease. The proportions of CDV-seropositive domestic dogs in regions surrounding the Serengeti National Park are represented by pie charts for 1992 to 1994 (*n*, number of dogs tested). The domestic dog that was confirmed to die from canine distemper disease in September 1994 was located in the Ngorongoro Conservation Area. Endemic infection was confirmed in the Serengeti district where CDV seropositivity was detected in pups (<12 months old) in each year of the study (1992–1994). This district also has one of the highest dog population densities. In the Loliondo and Ngorongoro areas, seropositivity was detected in pups in 1994 (3/7), but not in 1992 (0/6) or 1993 (0/17).

METHODS. Sera were tested against the Onderstepoort strain of CDV adapted to Vero cells as described previously¹². Sera were also tested against CDV isolated from a lion during the California epidemic (A92-27/20). Log titres of 1.0 or greater were considered positive.



sampled in December of 1993 (Fig. 2a). Although this abrupt seroconversion indicates a recent exposure of these lions to CDV, analysis of sera from 77 lions in the region from 1984 to 1989 disclosed that 22 lions had antibodies to CDV (none of these previously tested lions was alive during the 1994 epidemic), indicating that lions in the Serengeti ecosystem had previously encountered CDV without an increase in disease-related mortality. To determine if the high lion mortality during the 1994 CDV epidemic was due to co-infection with another viral pathogen, we compared the prevalences of serum antibody titres to feline immunodeficiency virus (FeIV)¹⁵, feline parvovirus (FePV)¹⁶, feline herpesvirus 1 (FeHV1), feline corona virus (FeCoV), and feline calici virus (FeCV) between lions with CDV disease (6/10 FeIV+; 3/5 FePV+; 6/6 FeHV+; 2/6 FeCoV+; 1/6 FeCV+) and

healthy CDV-seropositive lions (15/16 FeIV+; 11/12 FePV+; 13/13 FeHV+; 8/13 FeCoV+; 8/13 FeCV+). The discordance between CDV disease and antibodies to other viruses (Fisher's exact test: FeIV, $P > 0.055$; FePV, $P > 0.19$; FeCoV, $P > 0.35$; FeCV, $P > 0.14$) fails to support a role for these viruses as necessary cofactors in CDV morbidity.

CDV infections in equatorial African wildlife usually occur as periodic epidemics because environmental factors limit viral persistence outside susceptible carnivore hosts, and these hosts usually succumb or rid themselves of virus⁹. CDV persists in dense populations of domestic dogs because pups provide a constant reserve of susceptible hosts. The source of CDV in the Serengeti epidemic was probably the domestic dogs of the local villages adjacent to the National Park. CDV seroprevalence increased in

LETTERS TO NATURE

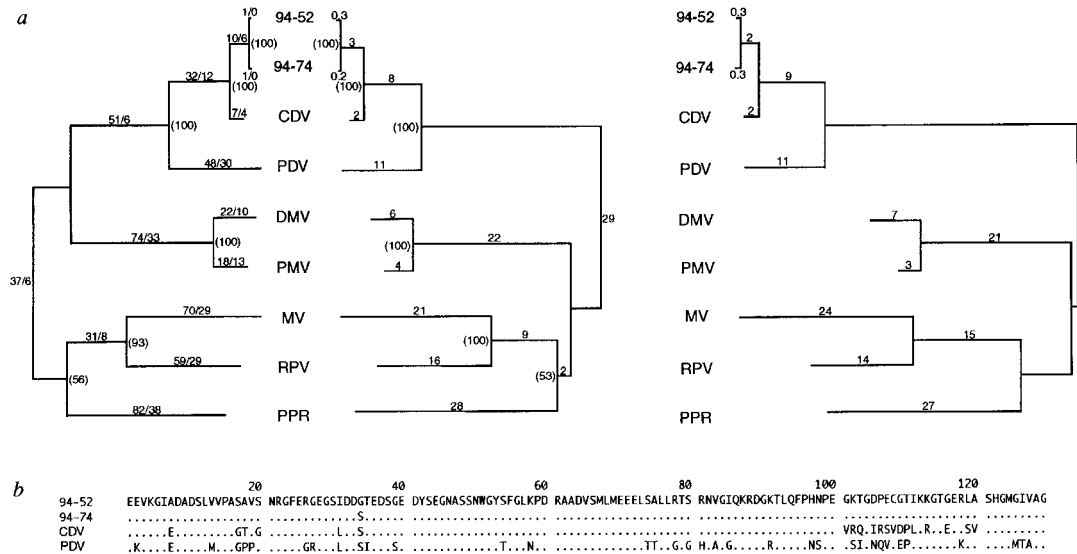


FIG. 3 Sequences and phylogenetic analysis of 389bp from lion morbillivirus P genes. *a*, Viral RNA fragments of 429 bp were amplified by RT-PCR from RNA of thymus and white blood cells isolated from two lions with neurological signs. Oligonucleotide primers were synthesized based on conserved regions of the CDV phosphoprotein (P) gene as described previously¹⁸. PCR product fragments were cloned and sequenced, and the sequences aligned with P-gene sequences from other morbilliviruses. Derived P-gene sequences from two lions were 99% identical. A phylogenetic analysis using cladistic, phenetic and maximum-likelihood methods revealed a close relationship between the lion morbillivirus and the Onderstepoort strain of CDV, the sequences having 95% nucleotide identity. PAUP maximum parsimony tree¹⁹ (left), with branch lengths equal to the number of nucleotide substitutions. Numbers shown on branches are

branch length and number of homoplasies, in that order. Tree length, 543; consistency index, 0.790. PHYLIP neighbour-joining tree²⁰ (centre) generated using a transition/transversion ratio of 0.84, with branch lengths equal to the percent of nucleotide differences. The number of bootstrap iterations (out of 100) which support the nodes are shown in parentheses. PHYLIP maximum-likelihood tree (right) generated with a transition/transversion ratio of 0.84 (in likelihood, -2561.52597; 155 trees examined). Branch lengths are the expected number of substitutions per site $\times 100$. 94-52-10 and 94-74 are sequences from Serengeti lions. CDV, canine distemper (Genbank X51869); PDV, phocine distemper virus (Genbank X75960); MV, measles virus (Genbank X16569); RPV, rinderpest virus (Genbank X6831.1); DMV, dolphin morbillivirus; PMV, porpoise morbillivirus; and PPR, peste des petits ruminants¹⁸. *b*, Translated amino-acid sequence of lion morbillivirus compared to CDV and PDV.

TABLE 1 Summary of CDV disease in Serengeti lions

Criteria indicating CDV infection	Number of affected lions
Neurological signs of CDV*	
Seizures	12
Myoclonus	15
Other neurological signs	27
Lion mortalities	
Carcasses recovered	23
Disappearances from observed population of 250 lions	31
CDV seroprevalence†	71 of 83
Lions with histopathological lesions of CDV	18 of 19
Lions with viral inclusions in tissues	14 of 19
Lions with CDV nucleocapsid proteins in tissues‡	14 of 19
Lions with CDV isolated†	1 of 7
Lions with CDV RNA obtained by RT-PCR‡	2

* Number designates lions observed during 1994. Other neurological signs included ataxia, disorientation, profound depression or stupor, hyperaesthesia, and inappropriate behavioural responses.

† Immunohistochemistry and viral isolation were performed by methods published previously^{10,12}. Buffy-coat isolation for viral cultures and molecular analyses were derived from 20 ml blood taken from anaesthetized lions.

‡ Methods are described in Fig. 3 legend.

these dogs between 1991 and 1993, preceding the lion epidemic (Fig. 2*b*), and CDV encephalitis was confirmed by histopathology in a domestic dog in the Ngorongo Crater region in 1994. The precise route of CDV transmission to the lions is unclear, because direct dog-to-lion contact is unlikely for most of the Serengeti ecosystem. A more probable route is by spotted hyaenas, which range among human dwellings and travel long distances within the Park¹⁷. Nomadic lions could also contribute to viral dissemination. High densities of these susceptible carnivores at kill sites would then provide an ideal environment for CDV amplification and transmission.

Most of the lion deaths in the Serengeti National Park occurred between January and September 1994, and mortality rates have subsequently returned to previous levels (Fig. 2*a*). Although this CDV epidemic claimed approximately 30% of the Serengeti and Mara lions, the impact on other carnivore species is unknown. Less dense populations of endangered species, such as cheetahs or wild dogs, are a clear cause for concern if exposed to a virulent pathogen such as this putative new biotype of CDV. The Serengeti is surrounded by approximately 30,000 domestic dogs, most of which are not vaccinated against canid pathogens (including CDV), representing a large reservoir for carnivore diseases. The CDV epidemic clearly emphasizes the need for continued disease surveillance to monitor infectious diseases in valuable wildlife resources, and for initiating vaccination programs for domestic animals in contact with wildlife. □

Received 2 October, accepted 24 November 1994.

1. Moehlman, P. D. *Recent Advances in the Study of Mammalian Behavior* (eds Eisenberg, J. F. & Keiman, D. G.) 423-438 (American Society of Mammalogists, Lawrence, KA, 1983).

2. Alexander, K. A. & Appel, M. J. G. *J. Wildl. Dis.* **30**, 481–485 (1994).
3. Macdonald, D. W. *Nature* **360**, 633–634 (1992).
4. Packer, C. & Pusey, A. E. *Am. Nat.* **145**, 833–841 (1995).
5. Packer, C. et al. *Reproductive Success* (ed. Clutton-Brock, T. H.) 363–383 (Univ. Chicago Press, 1988).
6. Brown, E. W., Yuhki, N., Packer, C. & O'Brien, S. J. *J. Virol.* **68**, 5953–5968 (1994).
7. Gilbert, D. A., Packer, C., Pusey, A. E., Stephens, J. C. & O'Brien, S. J. *J. Hered.* **82**, 378–386 (1991).
8. Wildt, D. E. et al. *Nature* **329**, 328–331 (1987).
9. Appel, M. J. G. *Virus Infections in Carnivores* (ed. Appel, M. J. G.) 133–160 (Elsevier, Amsterdam, 1987).
10. Appel, M. J. G. et al. *J. vet. diagnost. Invest.* **6**, 277–288 (1994).
11. Orvell, C., Sheshberadaran, H. & Norrby, E. *J. Virol.* **66**, 443–456 (1985).
12. Appel, M. J. G. & Robson, D. S. *Am. J. vet. Res.* **34**, 1459–1463 (1973).
13. Appel, M. J. G., Pearce-Kelling, S. & Summers, B. A. *J. vet. diagnost. Invest.* **4**, 258–263 (1992).
14. Montali, R. J., Bartz, C. R. & Bush, M. *Virus Infections of Carnivores* (ed. Appel, M.) 437–443 (Elsevier, Amsterdam, 1991).
15. Brown, E. W., Miththapala, S. & O'Brien, S. O. *J. Zool. Wildl. Med.* **24**, 357–364 (1993).
16. Carmichael, L. E., Joubert, J. C. & Pollack, R. V. *H. Am. J. vet. Res.* **41**, 784–791 (1980).
17. Hofer, H. & East, M. L. *Symp. zool. Soc. London* **65**, 347–366 (1993).
18. Barrett, T. et al. *Virology* **193**, 1010–1012 (1993).
19. Swafford, D. L. *Phylogenetic Analysis Using Parsimony (PAUP)* (Illinois Natural History Survey, Champaign, IL, 1984).
20. Felsenstein, J. *Phylogeny Inference Package (PHYLIP)*, Version 3.3 (University of Washington, Seattle, WA, 1995).

ACKNOWLEDGEMENTS. We thank M. Grob and M. Eigzoli for viral antigens, and M. East and H. Hofer for providing two hyaena carcasses. This work was supported in part by the Messerli Foundation of Zurich, the University of Tennessee, Cornell University, Smithsonian NOAHS Center, the National Science Foundation, National Geographic, and British Airways.