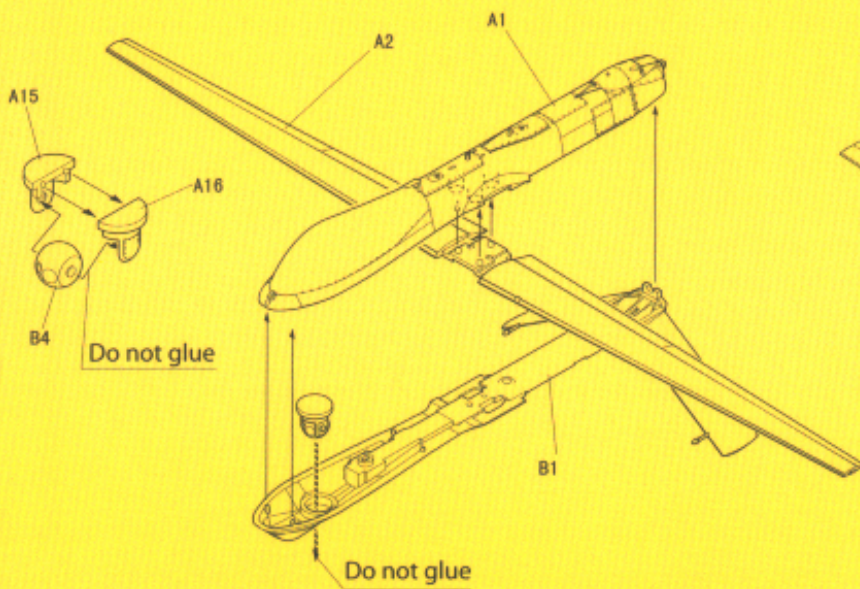


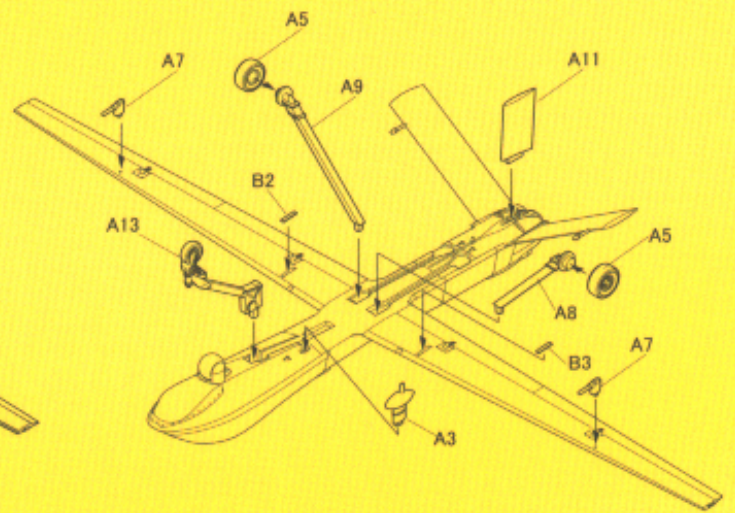
PREDATOR UAV

1/72
SCALE

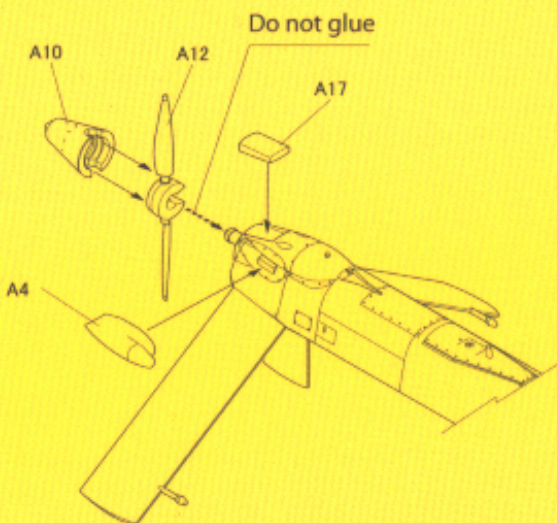
Step 1



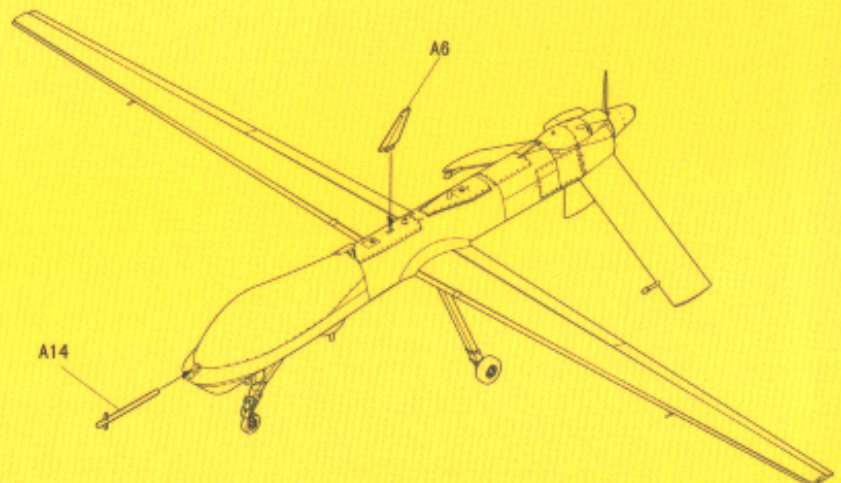
Step 2



Step 3



Step 3



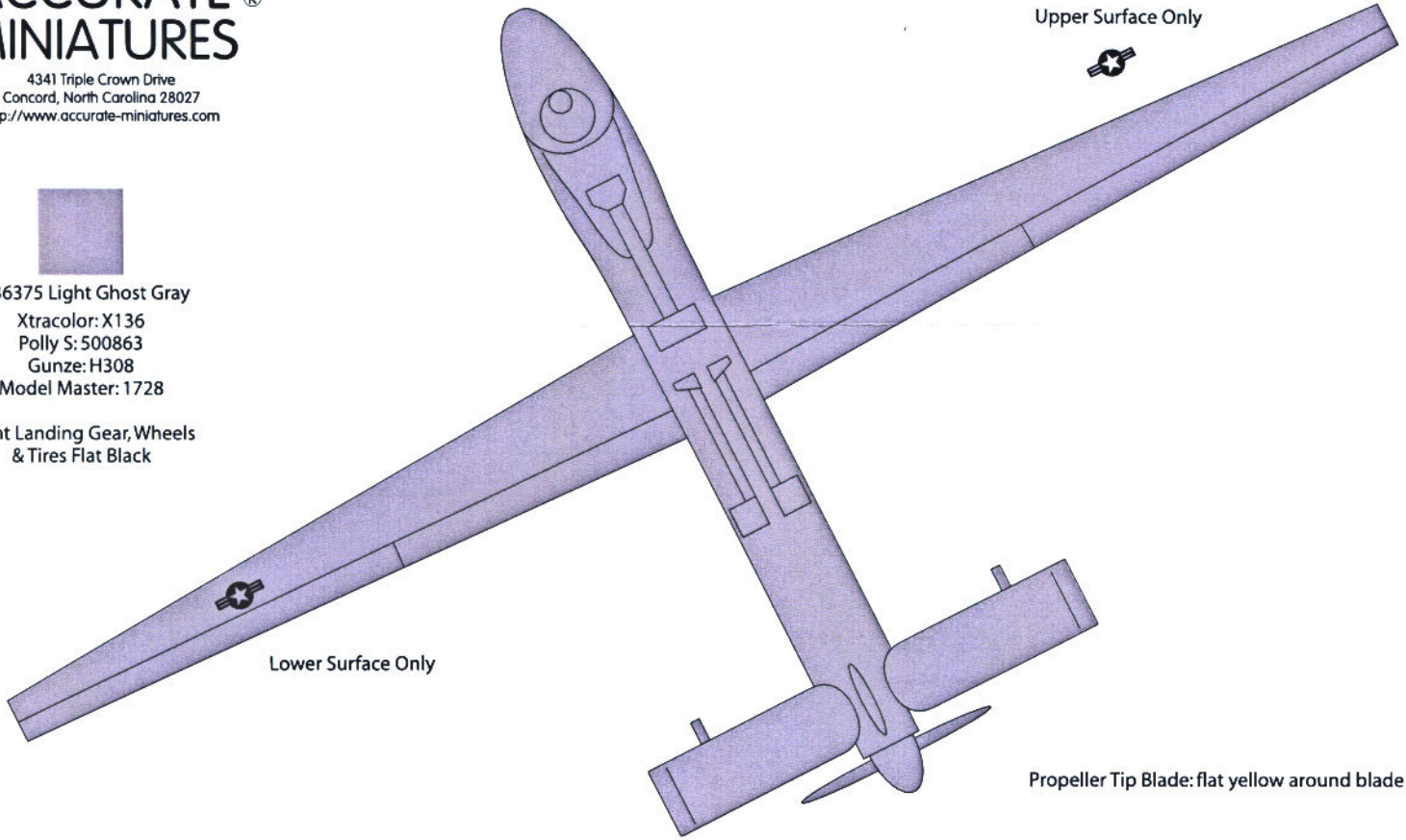
ACCURATE[®] MINIATURES

4341 Triple Crown Drive
 Concord, North Carolina 28027
<http://www.accurate-miniatures.com>



FS36375 Light Ghost Gray
 Xtracolor: X136
 Polly S: 500863
 Gunze: H308
 Model Master: 1728

Paint Landing Gear, Wheels
 & Tires Flat Black



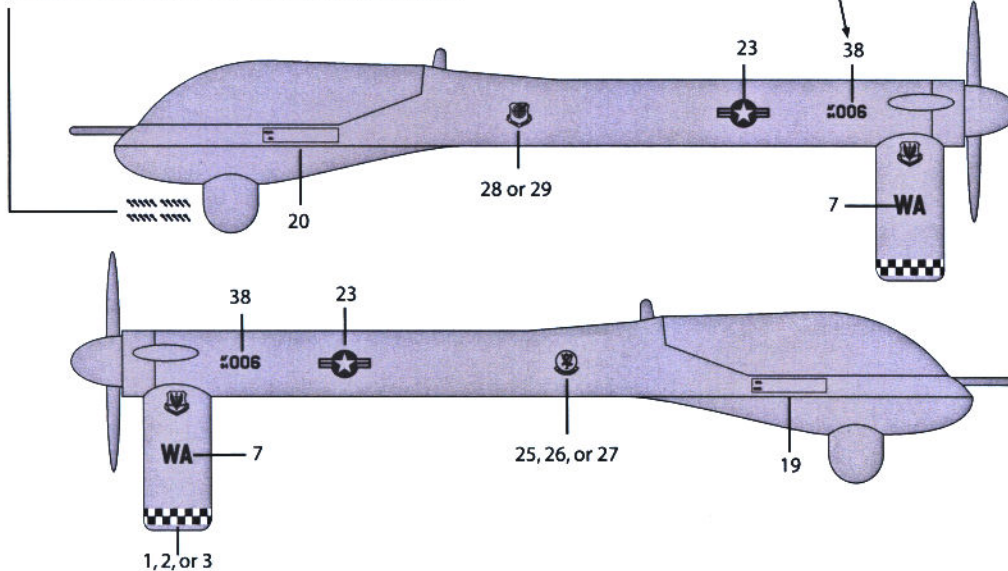
Upper Surface Only

Lower Surface Only

Propeller Tip Blade: flat yellow around blade tip

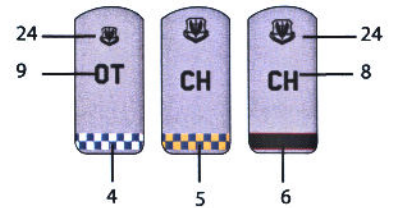
Combat Markings: Located on the right side of fuselage below upper radome not to exceed 10 in each row. Once 10 silhouettes are achieved a single bomb silhouette with the number "10" will represent a row.

NOTE: Decals # 37-41 are generic markings that allow the modeler to represent any specific Predator in the USAF inventory. These decals can go in this position. Please check your references



This decal wraps around the stabilizer

Tail Markings



Commander Tail Markings

