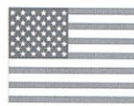
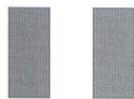


UH-60B

“BLACKHAWK”



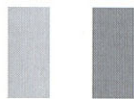
UH-60B “Blackhawk”. The Sikorsky UH-60B “Blackhawk” was developed as a successor to the legendary Bell UH-1 “Huey”. The “Blackhawk” was designed as a multi-mission helicopter and the basic design has been developed into dedicated versions for both the U.S. Air Force and U.S. Navy. With ongoing development this aircraft remains the state-of-the-art in helicopters.



UH-60B “Blackhawk”. Le Sikorsky UH-60B “Blackhawk” a été développé pour être le successeur du légendaire Bell UH-1 “Huey”. Le “Blackhawk” était destiné à être un hélicoptère multi-missions et la version de base fut étudiée aussi bien pour l’U.S. Air Force que pour l’U.S. Navy. Avec ses nombreux développements cet hélicoptère est l’un des plus connus.



UH-60B “Blackhawk”. Der Sikorsky UH-60B “Blackhawk” wurde als Nachfolger des legendären Bell UH-1 “Huey” entwickelt. Der “Blackhawk” Hubschrauber war für vielfältige Einsätze vorgesehen und das Grund-Design wurde in entsprechenden Versionen für die U.S. Air Force sowie die U.S. Navy entwickelt. Bei kontinuierlicher Weiterentwicklung bleibt diese Maschine an der Spitze der Hubschrauber-Klasse.

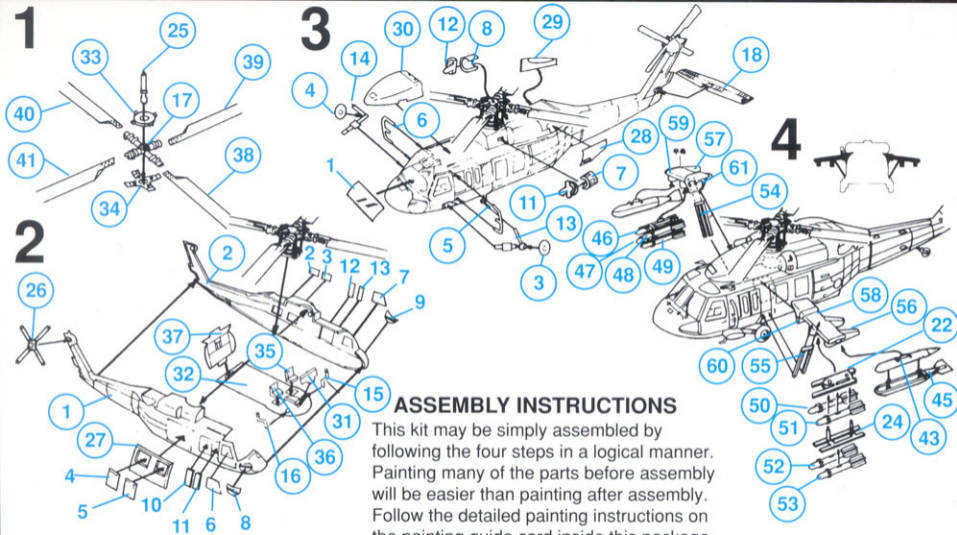


UH-60B “Blackhawk”. Il “Falco Nero” Sikorsky UH-60B e’ il successore del leggendario Bell UH-1 “Huey”. Il “Falco Nero” fu progettato come elicottero adatto a diverse missioni e il disegno di base e’ stato effettuato in versioni esclusive per l’aviazione Militare e la Marina Militare degli

Stati Uniti.



UH-60B “Blackhawk”. El “Blackhawk” Sikorsky UH-60B fue construido como sucesor del legendario Bell UH-1 “Huey”. El “Blackhawk” fue diseñado como helicóptero multimisión y el diseño básico fue desarrollado dentro de versiones dedicadas para las Fuerzas Aereas y Armada de los Estados Unidos. Con un continuo desarrollo, este aparato representa el estado del arte en helicópteros.



ASSEMBLY INSTRUCTIONS

This kit may be simply assembled by following the four steps in a logical manner. Painting many of the parts before assembly will be easier than painting after assembly. Follow the detailed painting instructions on the painting guide card inside this package. This kit contains many small parts and we suggest that they not be removed from the trees until they are needed.

PAINTING INSTRUCTIONS

UH-60B
"BLACKHAWK"

PART NO.	FS NO.	ENG	GER	FRA	ITAL	SPA
1 AND 2 EXTERIOR 5,6,7,8,9,10,11,12, 13,14,18,19,20,21, 22,23,24,28,29,30, 50,51,52,53,54,55, 56,57,58,59,60,61 27 EXTERIOR	34087	OLIVE DRAB	NACHT- OLIVE	VERT OLIVE	GRIGIO VERDE	VERDE OLIVA
3,4,15,16,17,25, 26,31,33,34,38,39, 40,41	37038	BLACK	SCHWARZ	NOIR	NERO	NEGRO
32,35,36,37 1 AND 2 INTERIOR 27 INTERIOR	36213	DARK GREY	DUNKEL- GRAU	GRIS FONCE	GRIGIO SCURO	GRIS OSCURO
42,43,44,45,46, 47,48,49	34092	DARK GREEN	DUNKEL- GRÜN	VERT FONCE	VERDE SCURO	VERDE OBSCURO

DECAL PLACEMENT

