

# **SAMKNOWS PERFORMANCE MONITORING UNIT**

## **INSTALLATION INSTRUCTIONS**

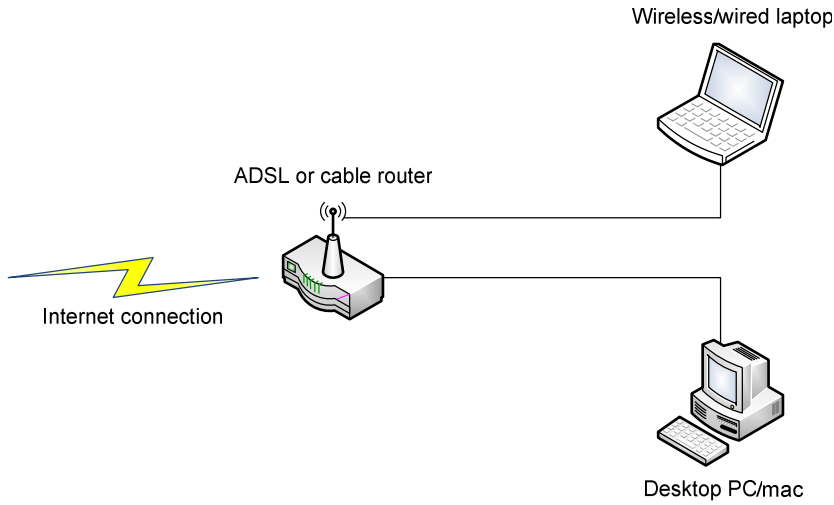
Installation of the monitoring unit is straightforward and proceeds as follows:

1. Check to ensure you have the necessary parts; which should include:
  - 1x Performance monitoring unit (a black/blue Linksys device)
  - 1x Network cable
  - 1x Power supply
2. Connect one end of the network cable to a spare port on your router. Connect the other end to the port marked "INTERNET" on the rear of the unit.
3. Disconnect any other wired network devices from your home ADSL / cable router. Plug them into the ports marked 1–4 on the rear of the performance monitoring unit.
4. Connect the power cable to the performance monitoring unit. It should power on immediately.
5. The power light will flicker for approximately 30 seconds and then stay on solidly. The Internet light on the front of the unit should also be lit.
6. That's it! Now you can just leave it.

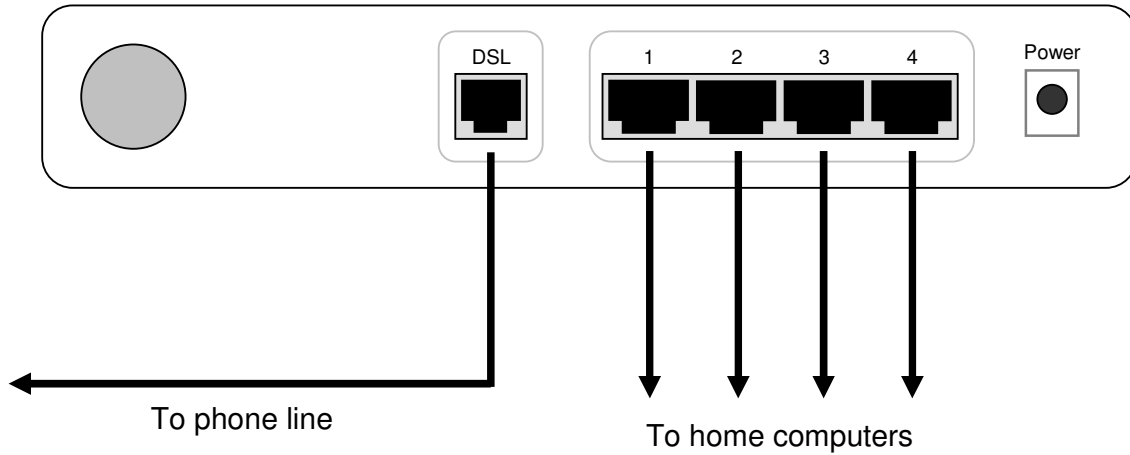
If you have any problems or queries, please contact us at [support@samknows.com](mailto:support@samknows.com).

# NETWORK SCHEMATIC

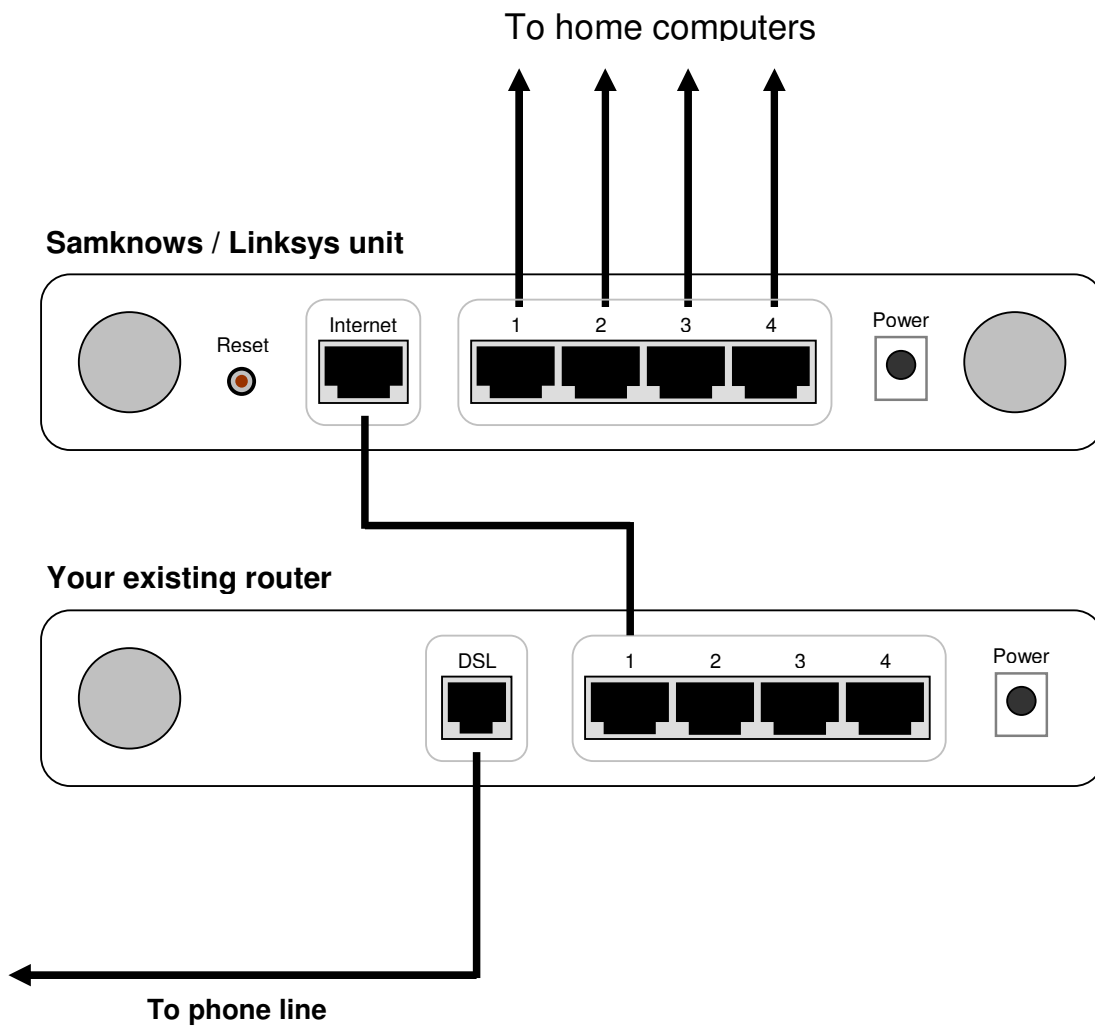
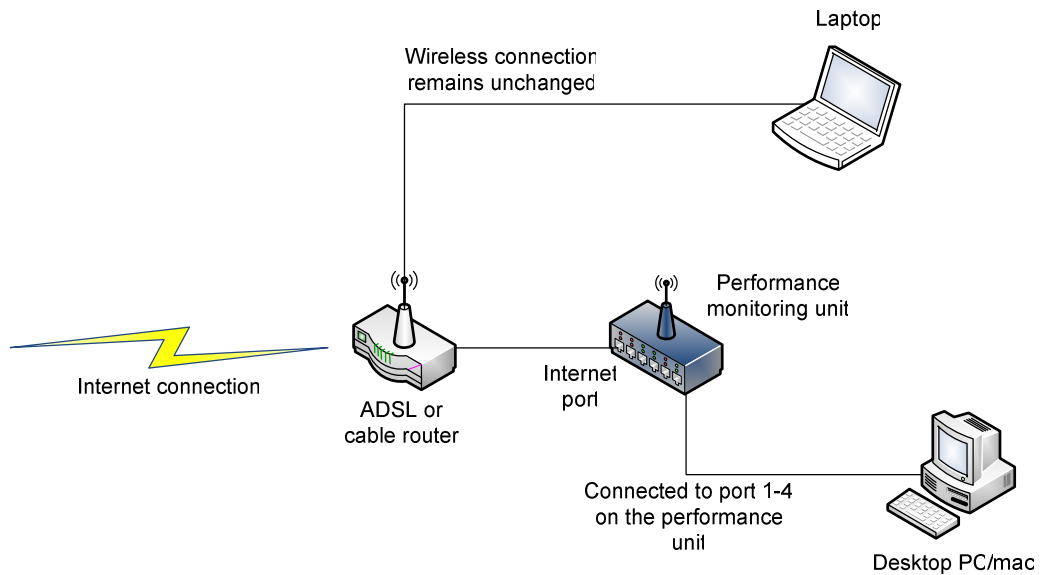
Your existing home network will probably look similar to the following:



## Your existing router



Assuming you follow steps 2 and 3 in the above instructions, your network will now look like the following:



## FREQUENTLY ASKED QUESTIONS

**Q. Does the unit make much noise?**

A. No. The unit is fan-less.

**Q. Can I turn the unit off?**

A. The unit is designed to be left on permanently. However, if you need to turn it off (e.g. because you're going away for a while and routinely turn off electrical devices) then you can do so by simply unplugging the power cable or turning it off at the socket.

**Q. What is the purpose of step 3 in the installation instructions?**

A. This allows the unit to monitor the volume of traffic going to the Internet and alter its testing schedule accordingly. For example, if you're busy watching video online and the unit is scheduled to run a speed test at the same time, then it will see that you're busy on the Internet and try its test again later.

If you skip step 3 then the unit will (blindly) run tests according to its schedule alone. This may briefly slow down real-time applications, such as online video, VoIP and online gaming. Similarly, we do not want the results to be skewed by other traffic, so we recommend proceeding with step 3.

**Q. What is the purpose of the wireless antennas?**

A. Completing step 3 in the installation instructions allowed the unit to see if your wired network was busy so that it could alter its testing schedule accordingly. However, no such steps are required for wireless. The unit will automatically passively monitor your wireless network for activity and will reschedule its testing if you're using the wireless network. If you do not have a wireless network then this feature will be redundant.

**Q. Do I need to modify my wireless settings?**

A. Absolutely not. The unit does not provide wireless access.

**Q. Does this mean the unit is watching me browse the Internet?**

A. No. It's only looking for traffic volume. It's not looking at what the traffic contains. It doesn't matter what the traffic is or even if it is encrypted, it is only interested in *how much* traffic is going to/from the Internet. If there is more than around 20KB/s for a 30 second period before the tests are due to run then it will defer the tests for up to one hour.

**Q. What are the security implications of having this device on my network?**

A. The unit runs a cut-down version of the Linux operation system. It exposes no network services to the Internet or your home network (i.e. there is no way for anyone to connect to it, because there is nothing to connect to!). It will only communicate with trusted hosts, and does not download nor execute any code from the Internet.

**Q. How much power does the unit consume?**

A. Around 3-4W.

**Q. Does connecting my wired computers through the unit affect my ability to communicate with wireless devices?**

A. Absolutely not. Your wired computers will still be able to communicate with your wireless devices and vice versa. The unit acts as a simple network switch - it performs no routing. It does not affect the logical layout of your network.

Please see <http://www.samknows.com/broadband/pm/fag.html> for additional frequently asked questions.