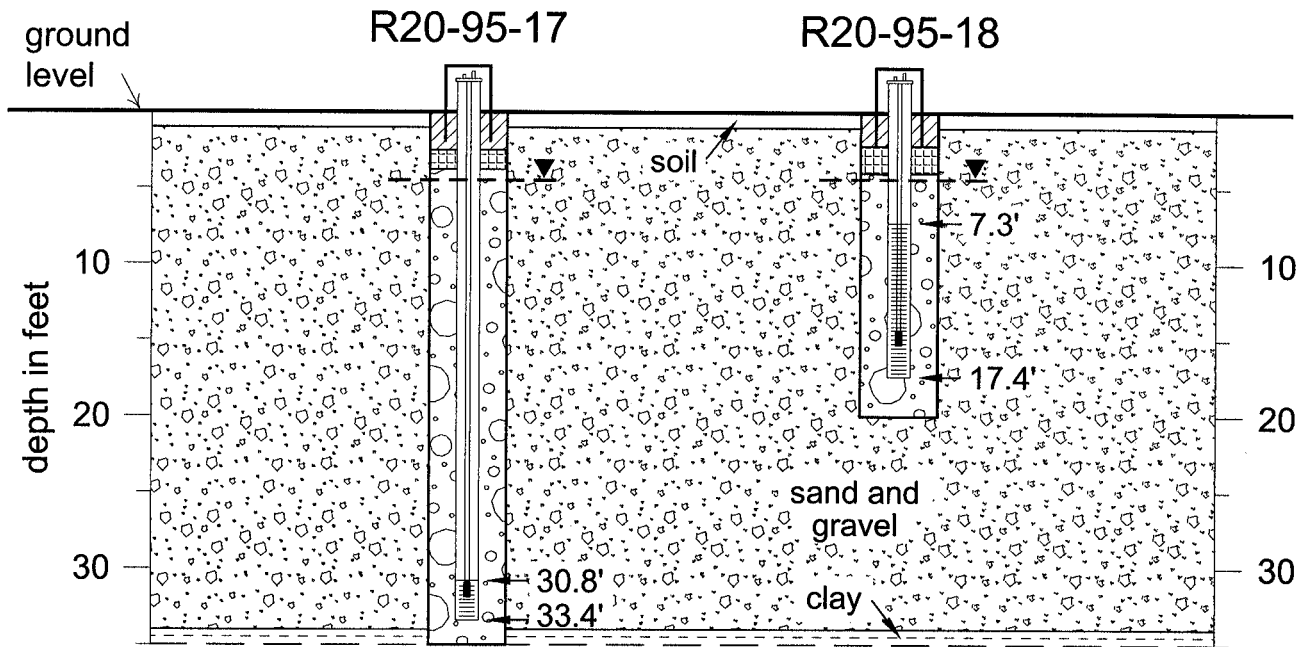


Antelope Valley aquifer  
 SW NW SW SW sec. 36, T. 119 N., R. 51 W.  
 (south of South Shore, Codington County)

S ← → N



Neat cement



Granular bentonite



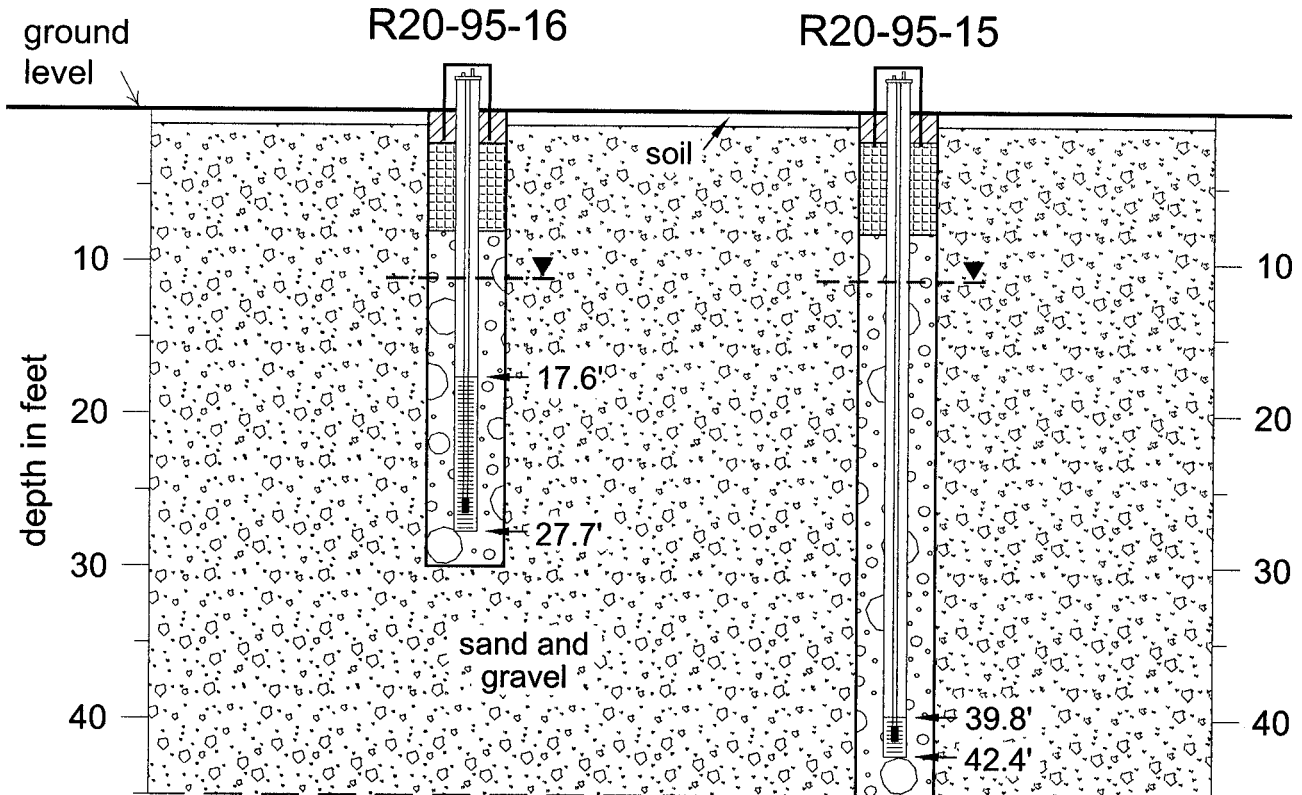
Native sediment (sand/gravel) and/or graded sand filter pack



Water level on June 29, 1995

**Antelope Valley aquifer**  
 NE NE NE NW sec. 28, T. 120 N., R. 51 W.  
 (north of South Shore, Grant County)

W ←      → E



Neat cement



Granular bentonite



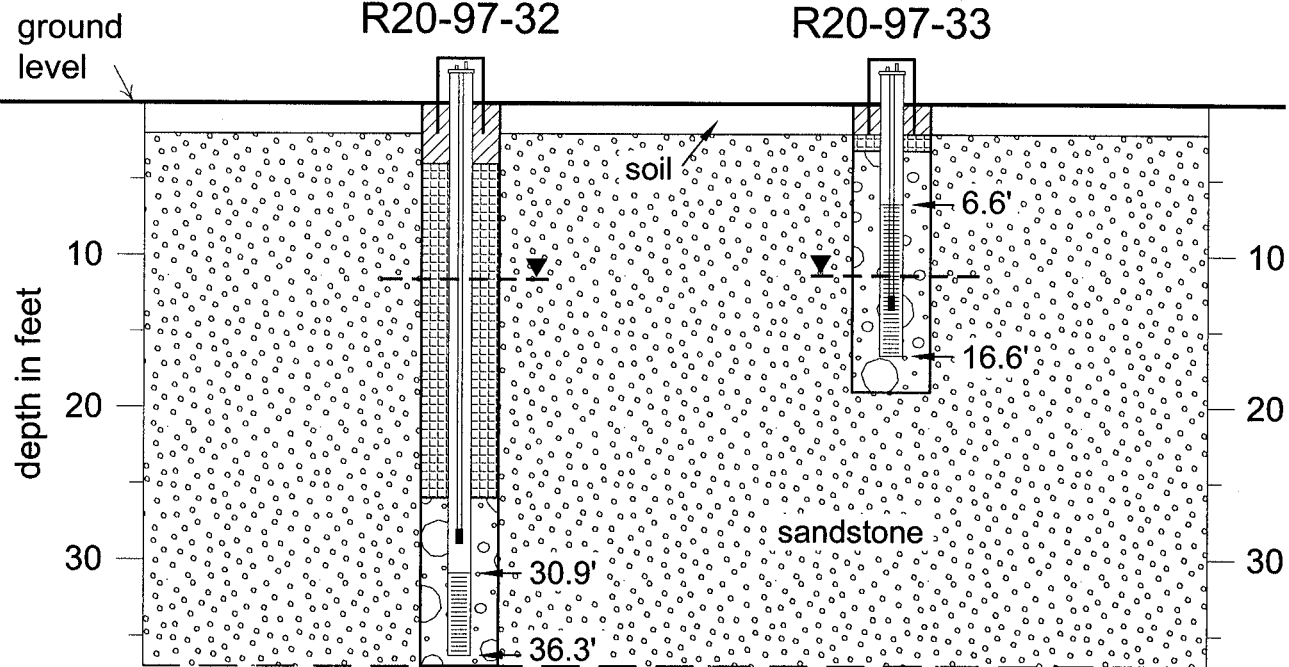
Native sediment (sand/gravel) and/or graded sand filter pack



Water level on June 28, 1995

**Arikaree aquifer**  
**SE SE SE NE sec. 10, T. 36 N., R. 38 W.**  
**(south of Martin, Bennett County)**

S ←      → N



Neat cement



Granular bentonite



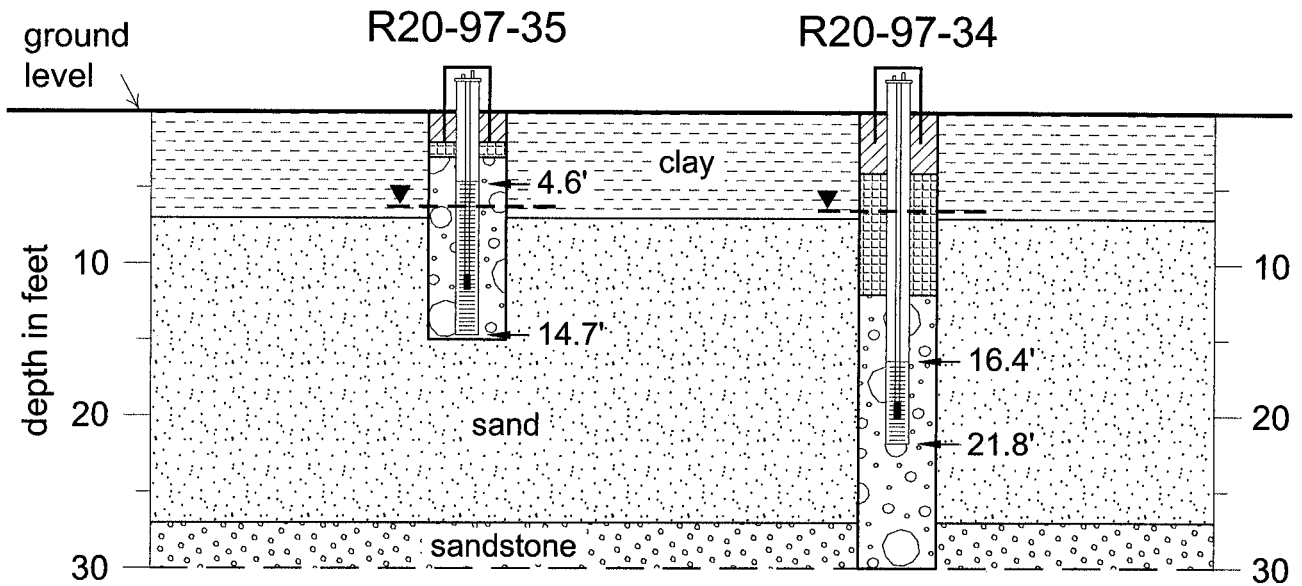
Native sediment (sand/gravel) and/or graded sand filter pack







Water level on June 24, 1998

Arikaree aquifer  
 NE SE SE NE sec. 13, T. 38 N., R. 36 W.  
 (south of Patricia, Bennett County)

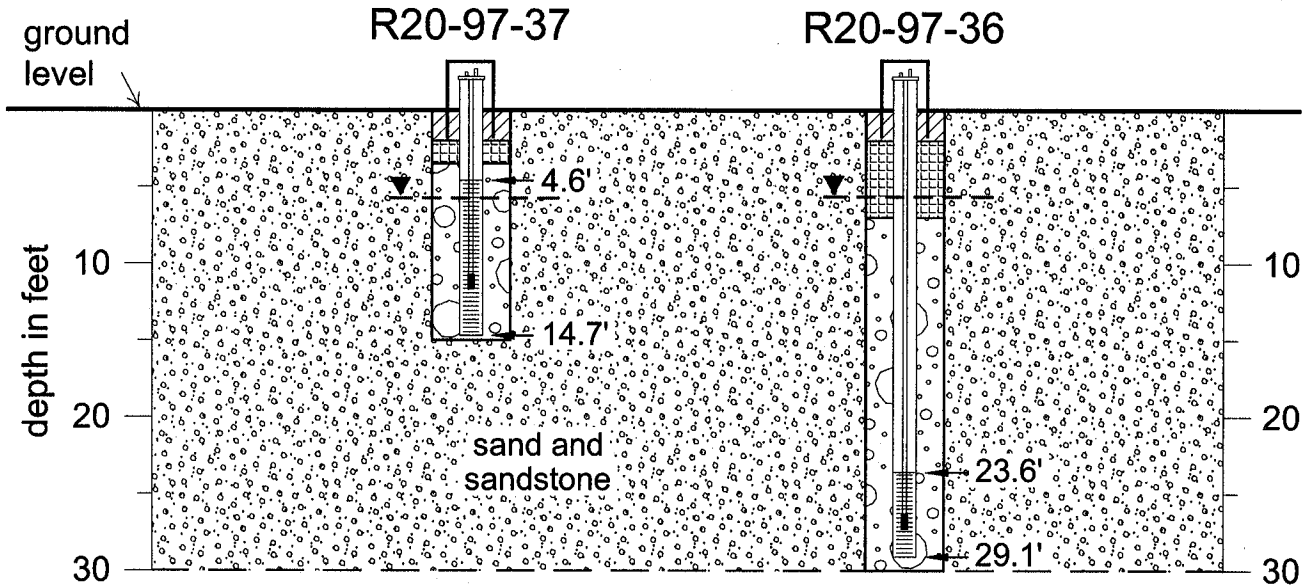
S ←      → N


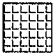




-  Neat cement
-  Granular bentonite
-  Native sediment (sand/gravel) and/or graded sand filter pack
-  Water level on June 24, 1998

Arikaree aquifer  
 NW NW NW NW sec. 21, T. 40 N., R. 32 W.  
 (east of Norris, Mellette County)

S ←      → N

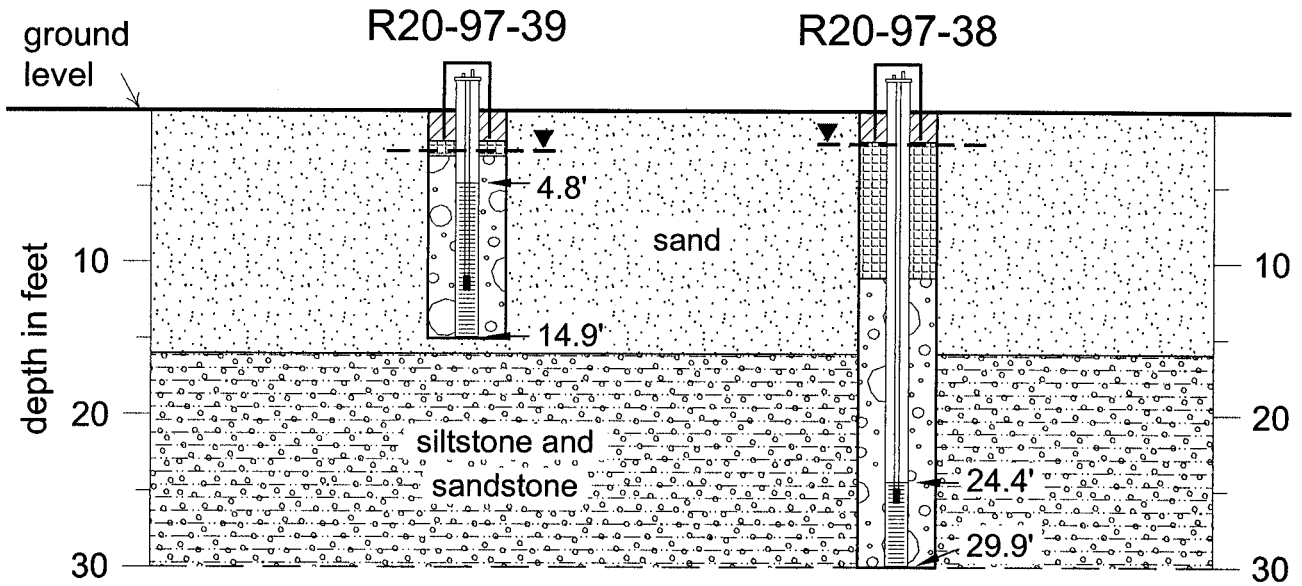


-  Neat cement
-  Granular bentonite
-  Native sediment (sand/gravel) and/or graded sand filter pack
-  —▼— Water level on June 29, 1998

# Arikaree aquifer

## NW SW NW NW sec. 14, T. 96 N., R. 79 W. (west of Clearfield, Tripp County)

S ←      → N



Neat cement



Granular bentonite

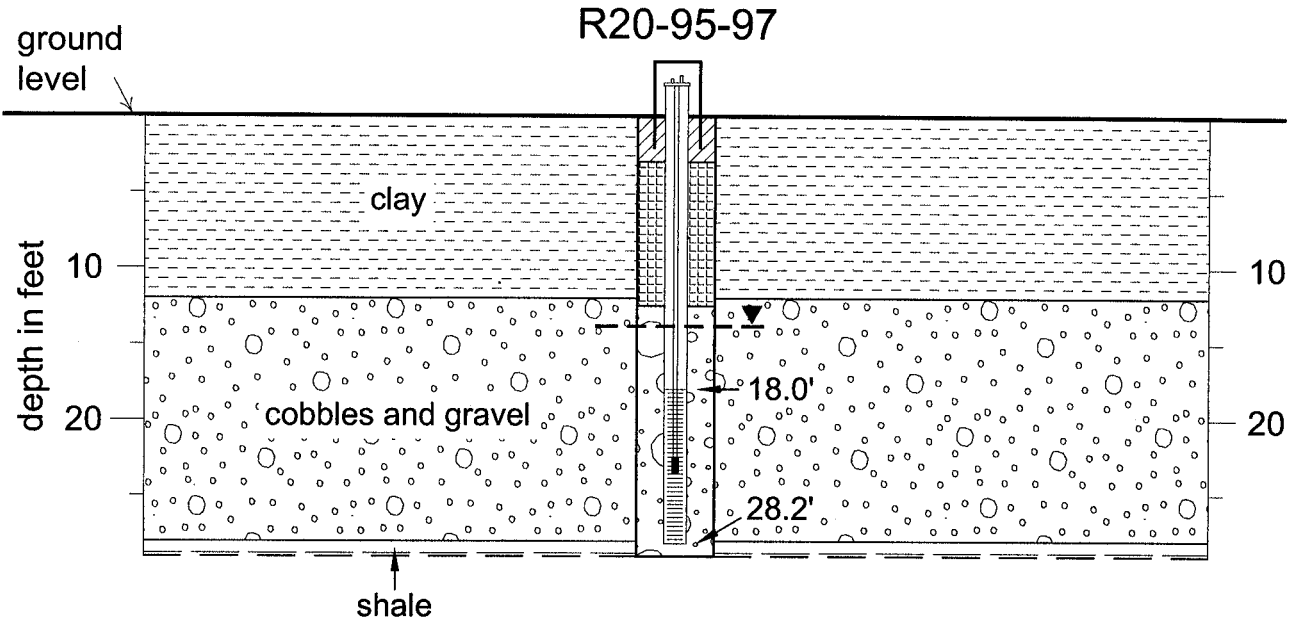


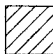
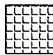


Native sediment (sand/gravel) and/or graded sand filter pack



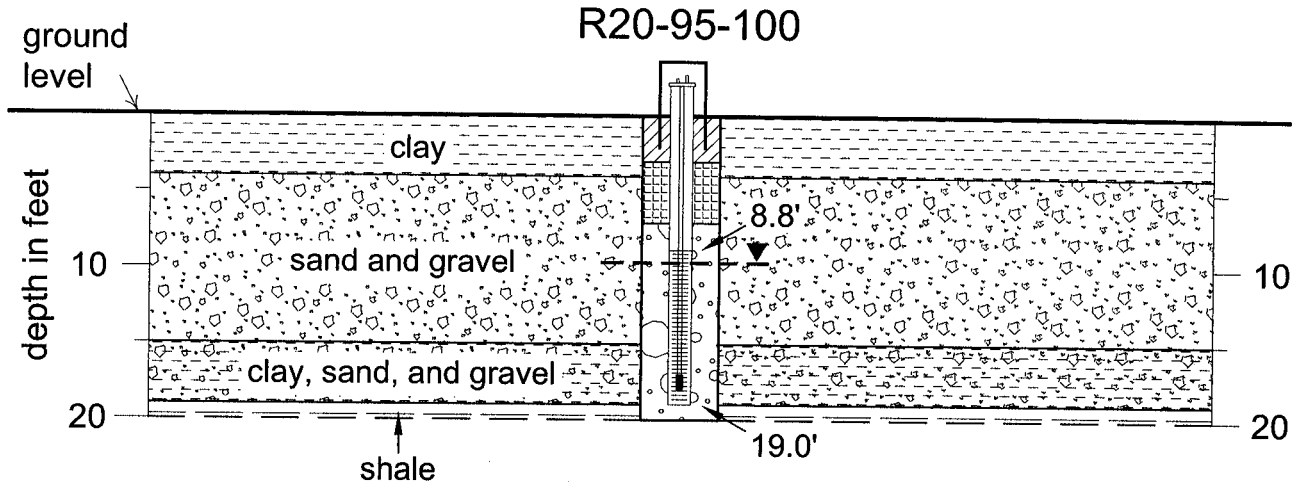
Water level on June 29, 1998

**Bear Butte Creek aquifer**  
**SE NE NE NE sec. 6, T. 5 N., R. 6 E.**  
**(upper Bear Butte Creek, Meade County)**



-  Neat cement
-  Granular bentonite
-  Native sediment (sand/gravel) and/or graded sand filter pack
-  Water level on October 28, 1995

**Bear Butte Creek aquifer**  
**NE NE NE SW sec. 16, T. 6 N., R. 7 E.**  
**(lower Bear Butte Creek, Meade County)**



Neat cement



Granular bentonite



Native sediment (sand/gravel) and/or graded sand filter pack

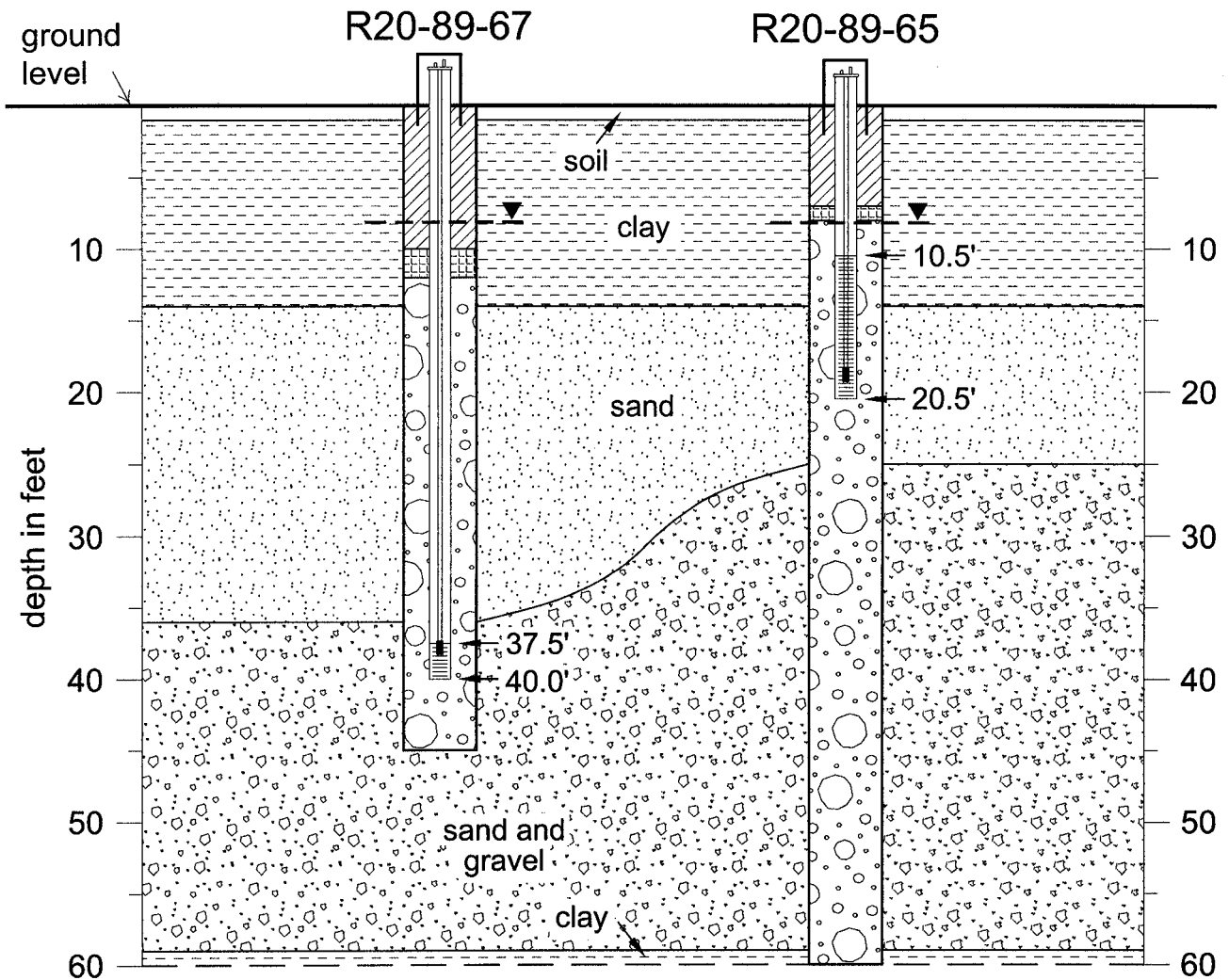






Water level on October 29, 1995



**Big Sioux aquifer**  
**SE SE SE SW sec. 2, T. 92 N., R. 49 W.**  
**(near Richland, Union County)**

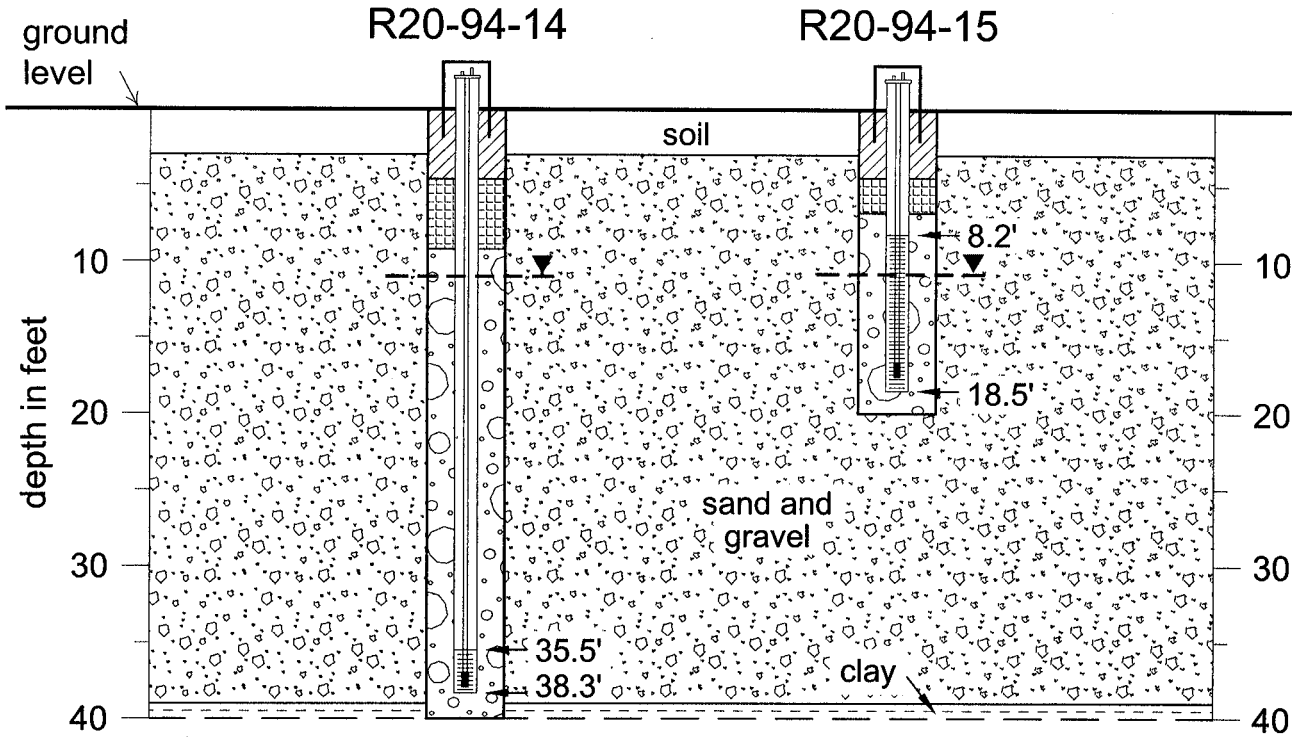
W ← → E


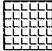




-  Neat cement
-  Granular bentonite
-  Native sediment (sand/gravel) and/or graded sand filter pack
-  -- ▽ -- Water level on August 8, 1994

**Big Sioux aquifer**  
**SW SW SW SW sec. 21, T. 94 N., R. 48 W.**  
**(near Big Springs, Union County)**

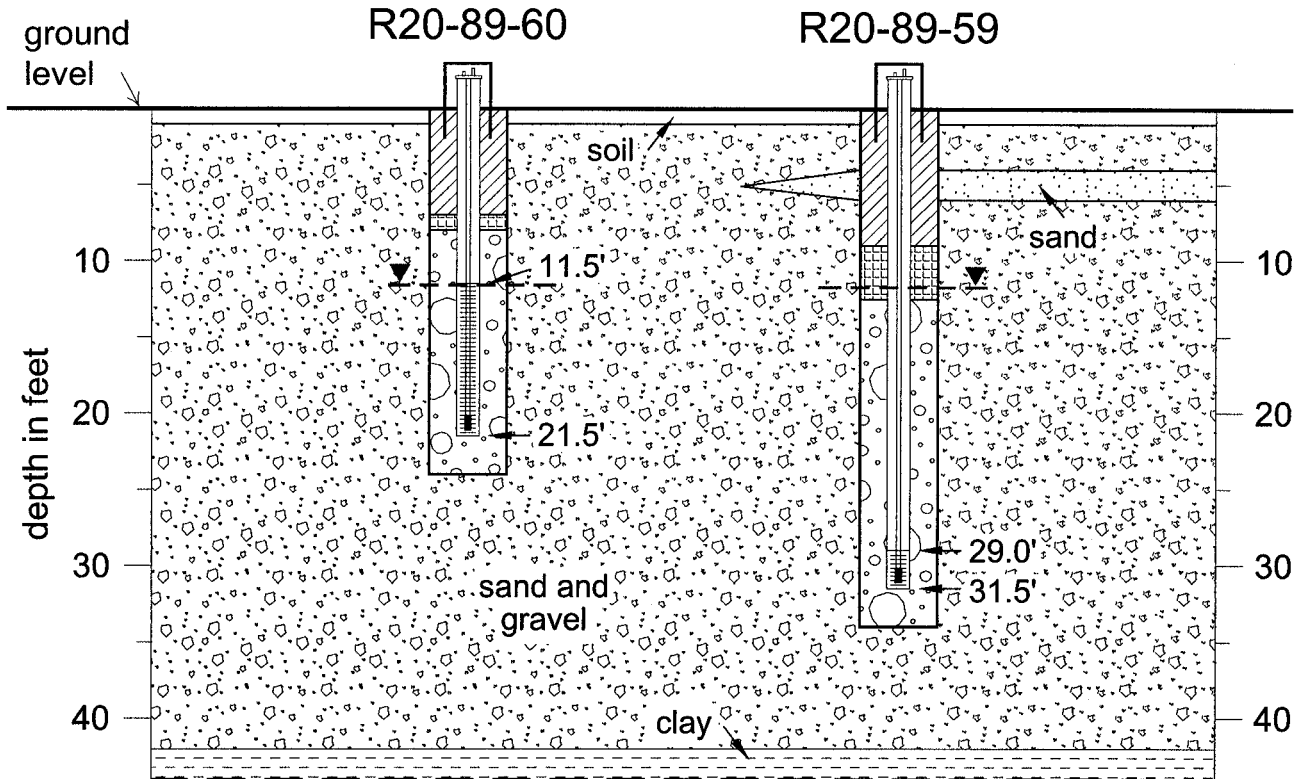
W ← → E


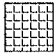




-  Neat cement
-  Granular bentonite
-  Native sediment (sand/gravel) and/or graded sand filter pack
-  Water level on August 8, 1994

**Big Sioux aquifer**  
**SE SE SE SW sec. 24, T. 96 N., R. 48 W.**  
**(near Hudson, Lincoln County)**

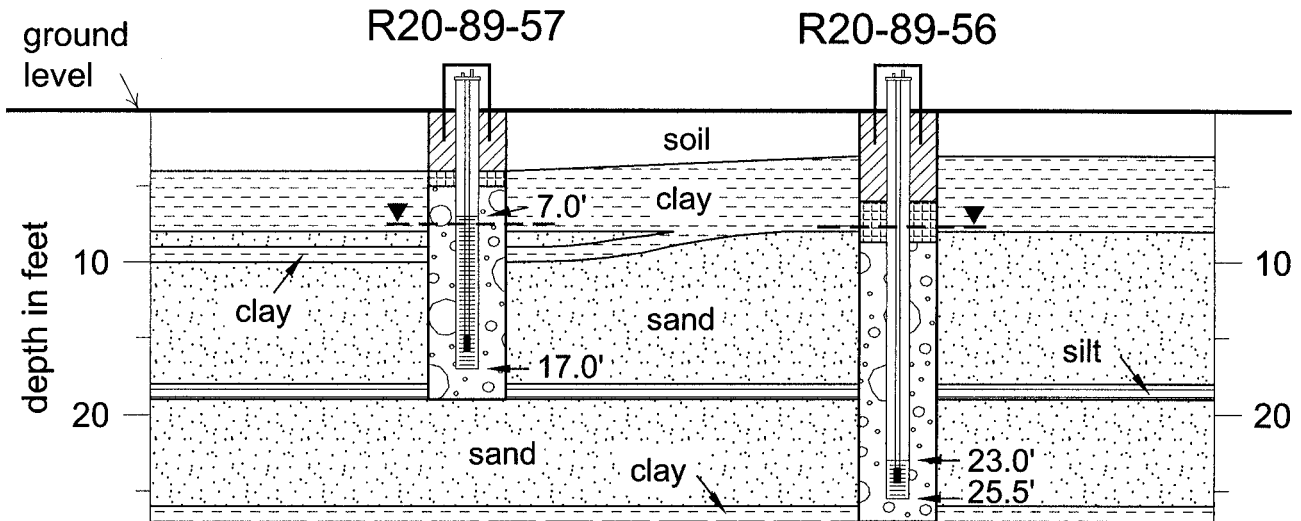
W ← → E



-  Neat cement
-  Granular bentonite
-  Native sediment (sand/gravel) and/or graded sand filter pack
-  —▼— Water level on August 8, 1994

Big Sioux aquifer  
 NE SE SE NE sec. 8, T. 98 N., R. 48 W.  
 (near Canton, Lincoln County)

W ← → E



Neat cement



Granular bentonite



Native sediment (sand/gravel) and/or graded sand filter pack

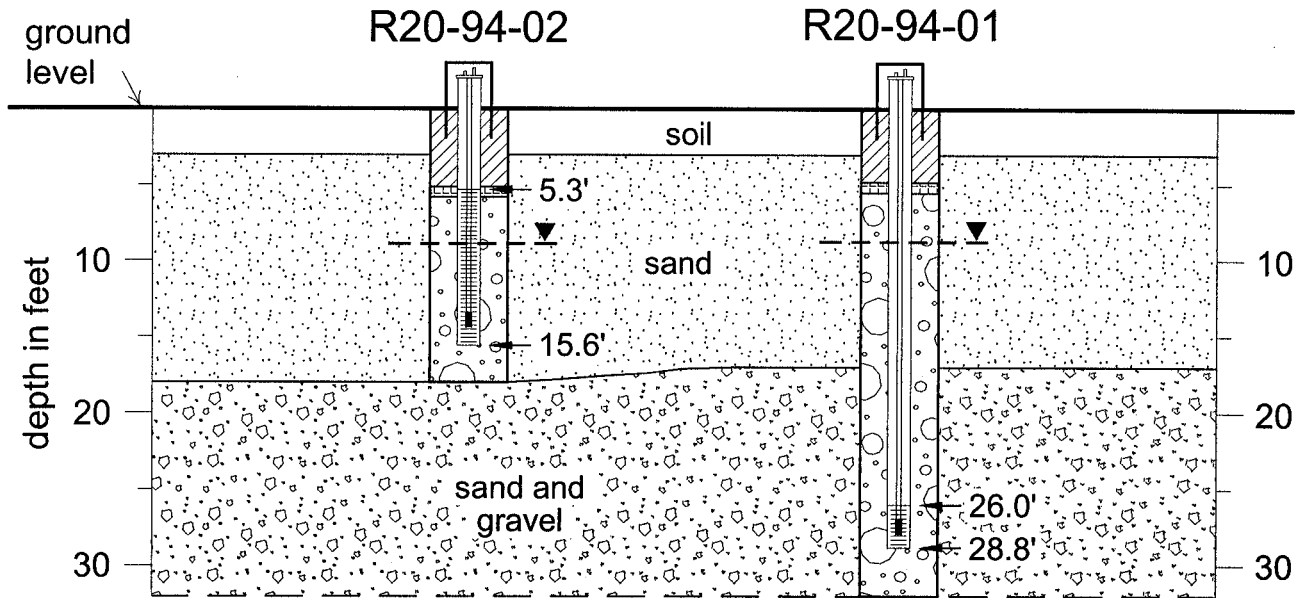



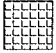


Water level on August 9, 1994

# Big Sioux aquifer

SE SE SE SW sec. 4, T. 101 N., R. 48 W.  
(near East Sioux Falls, Minnehaha County)

S ←      → N

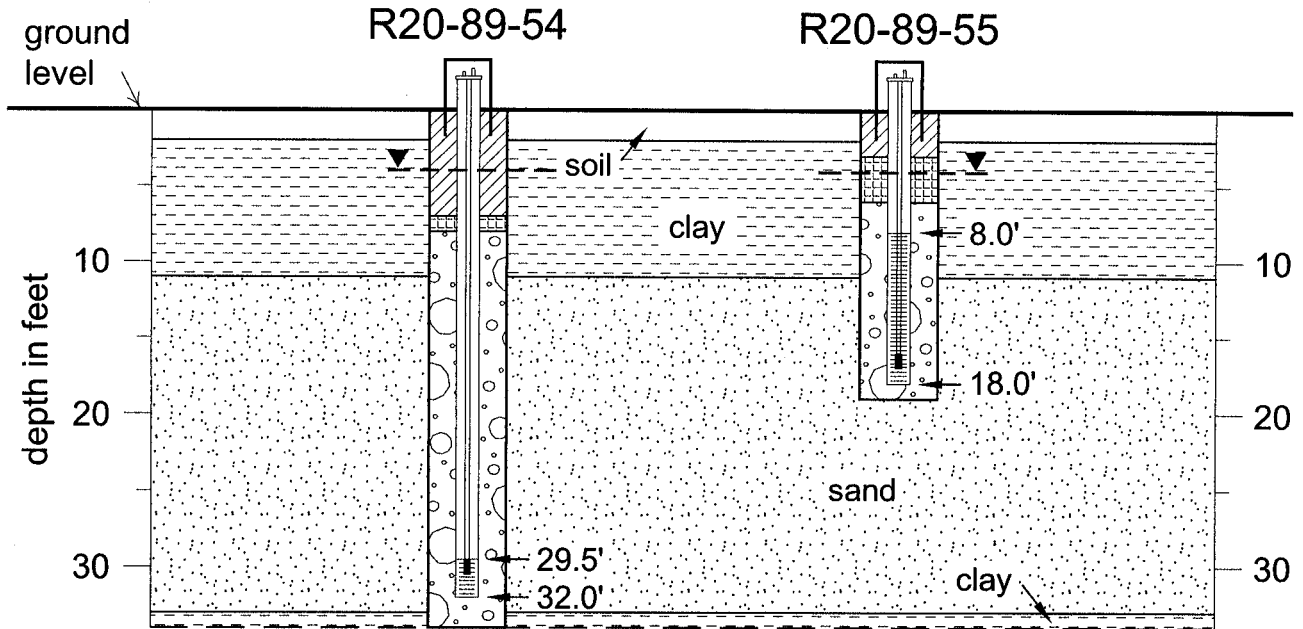


-  Neat cement
-  Granular bentonite
-  Native sediment (sand/gravel) and/or graded sand filter pack
-  — ▼ — Water level on August 9, 1994

# Big Sioux aquifer

## SE SE SE SE sec. 8, T. 102 N., R. 49 W. (near Renner, Minnehaha County)

W ← → E



Neat cement



Granular bentonite



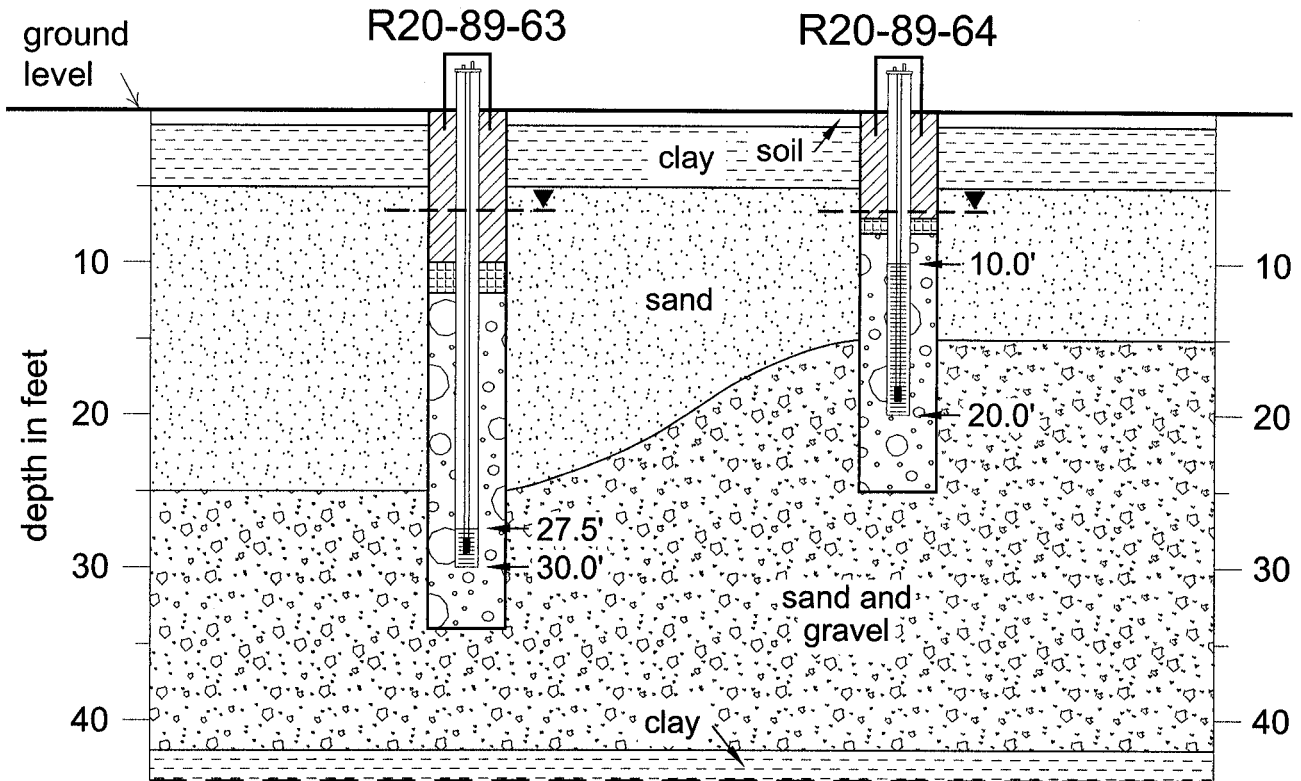
Native sediment (sand/gravel) and/or graded sand filter pack


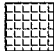




Water level on August 9, 1994

**Big Sioux aquifer**  
**SW SW SW SW sec. 31, T. 104 N., R. 49 W.**  
**(near Baltic, Minnehaha County)**

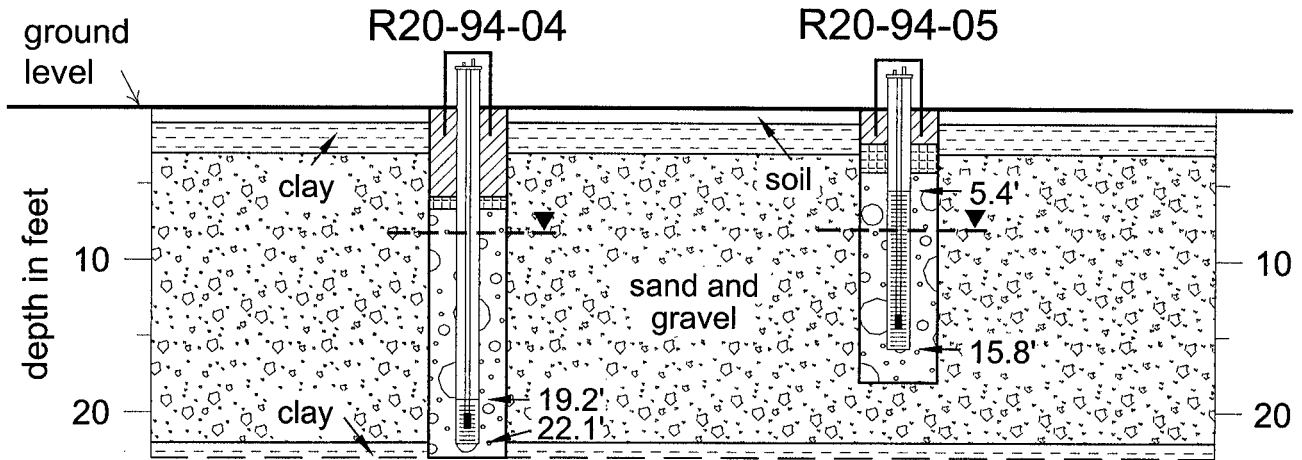
W ← → E



-  Neat cement
-  Granular bentonite
-  Native sediment (sand/gravel) and/or graded sand filter pack
-  —▼— Water level on August 10, 1994

Big Sioux aquifer  
 NE NE NE SE sec. 10, T. 105 N., R. 49 W.  
 (near Trent, Moody County)

S ← → N



Neat cement



Granular bentonite



Native sediment (sand/gravel) and/or graded sand filter pack

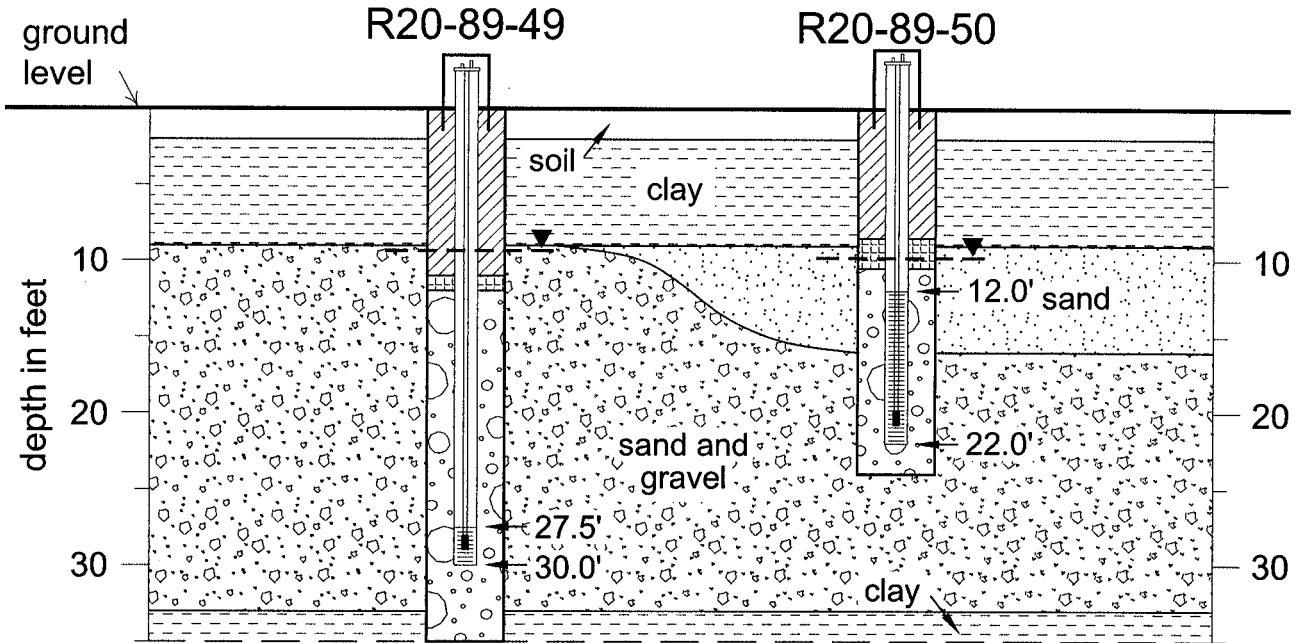


Water level on August 4, 1994



**Big Sioux aquifer**  
**SW SW SE NE sec. 7, T. 106 N., R. 48 W.**  
**(near Egan, Moody County)**

SW ← → NE



Neat cement



Granular bentonite



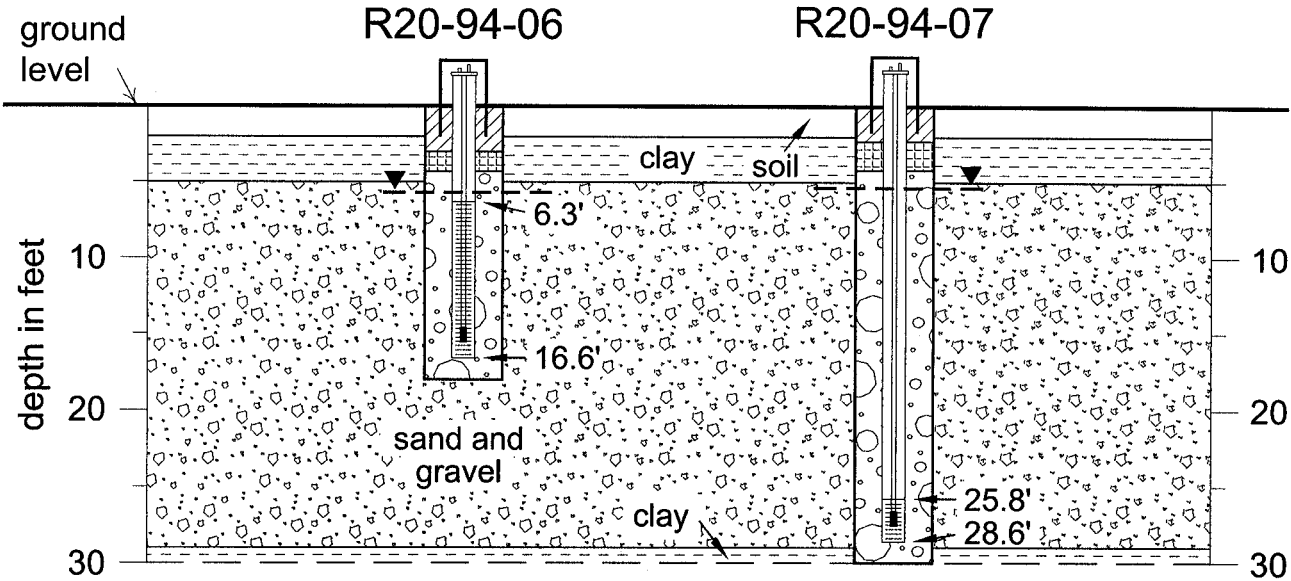
Native sediment (sand/gravel) and/or graded sand filter pack


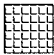




Water level on August 10, 1994

**Big Sioux aquifer**  
**NE NE NE SE sec. 9, T. 108 N., R. 49 W.**  
**(near Ward, Moody County)**

S ← → N

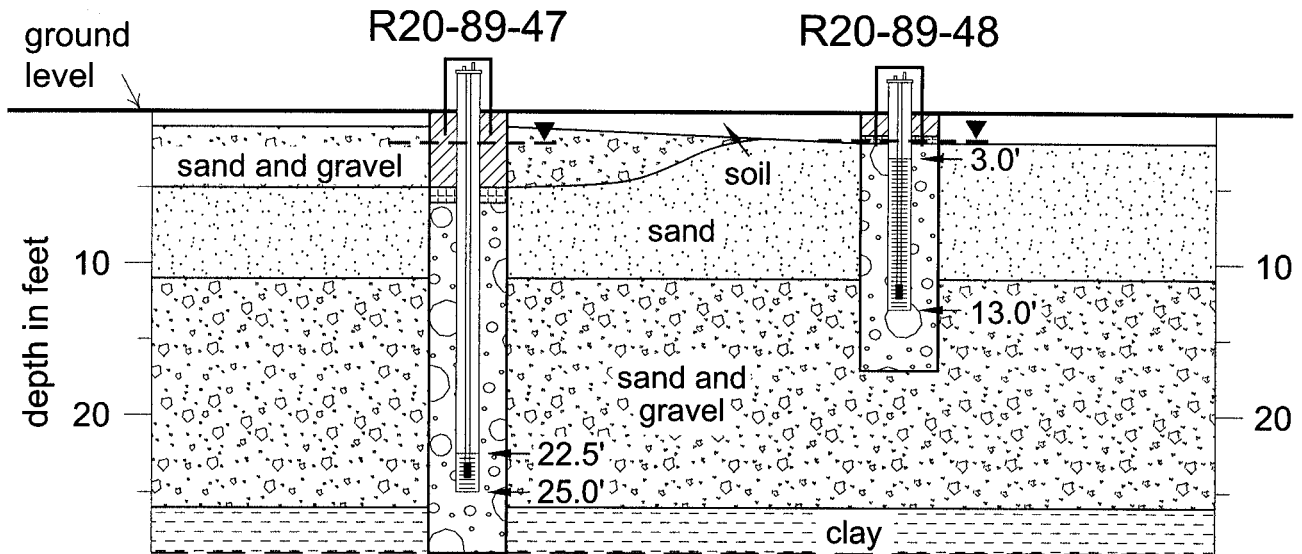


-  Neat cement
-  Granular bentonite
-  Native sediment (sand/gravel) and/or graded sand filter pack
-  —▼— Water level on August 4, 1994

# Big Sioux aquifer

## NW NW NW NW sec. 18, T. 110 N., R. 50 W. (near Volga, Brookings County)

W ← → E



Neat cement



Granular bentonite



Native sediment (sand/gravel) and/or graded sand filter pack



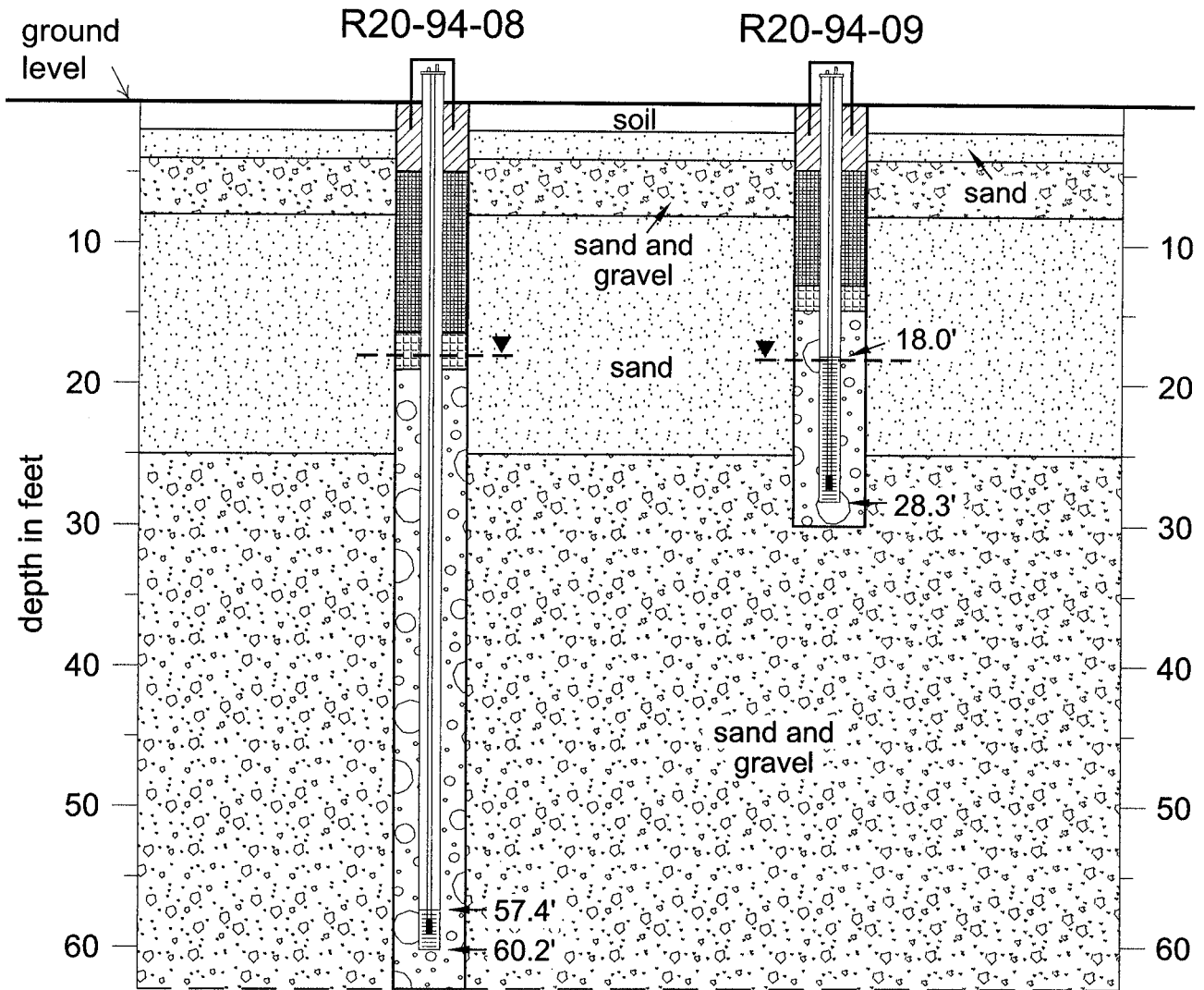
Water level on August 10, 1994


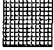



# Big Sioux aquifer

## SW SW SW SE sec. 27, T. 111 N., R. 49 W.

### (near White, Brookings County)

W ← → E

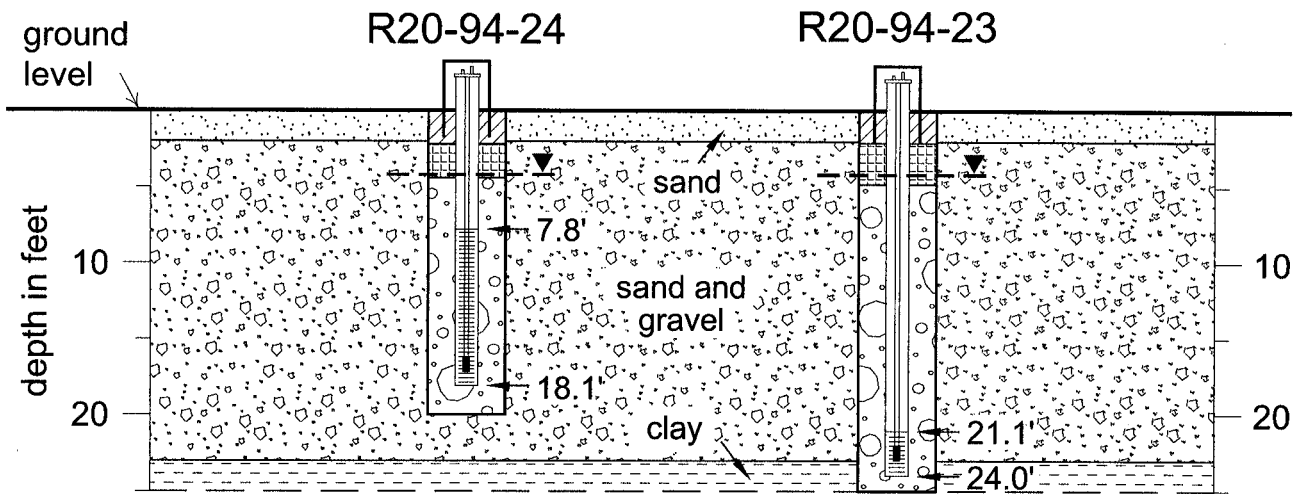


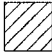
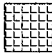


-  Neat cement
-  Bentonite slurry
-  Granular bentonite
-  Native sediment (sand/gravel) and/or graded sand filter pack
-  Water level on August 3, 1994

# Big Sioux aquifer

## NW NW SW SW sec. 29, T. 112 N., R. 50 W. (near Bruce, Brookings County)

S ←      → N

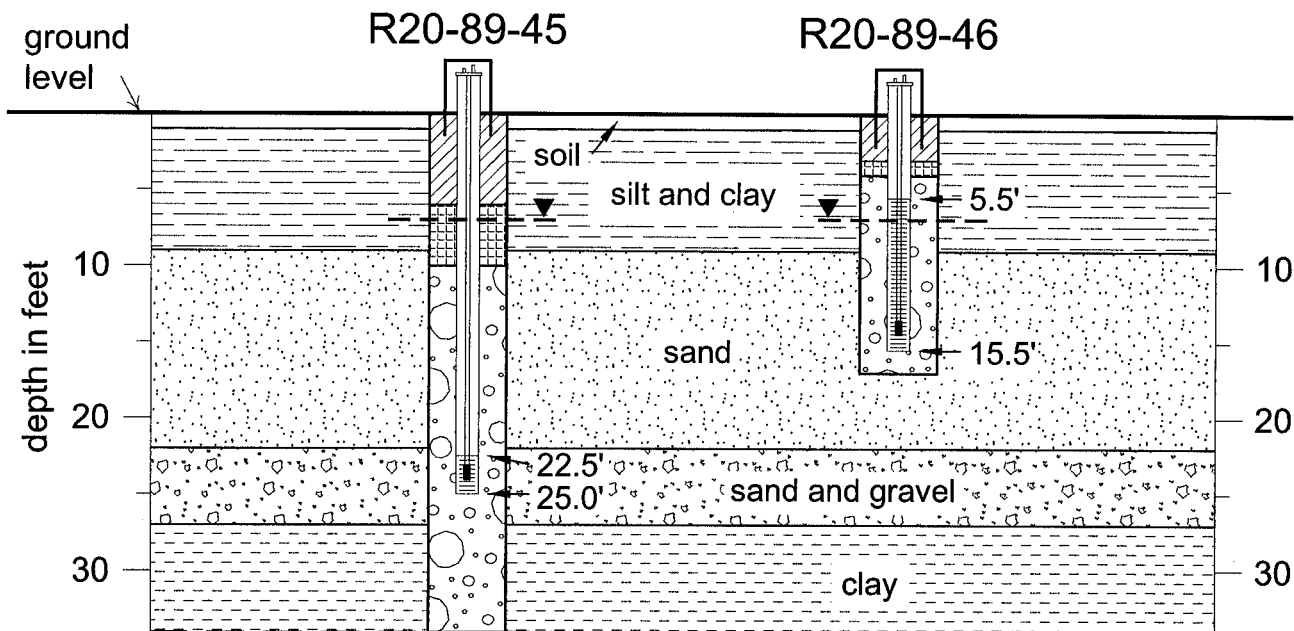


-  Neat cement
-  Granular bentonite
-  Native sediment (sand/gravel) and/or graded sand filter pack
-  —▼— Water level on August 3, 1994

# Big Sioux aquifer

## SE SW SW SE sec. 10, T. 113 N., R. 51 W. (near Estelline, Hamlin County)

W ←      → E



Neat cement



Granular bentonite

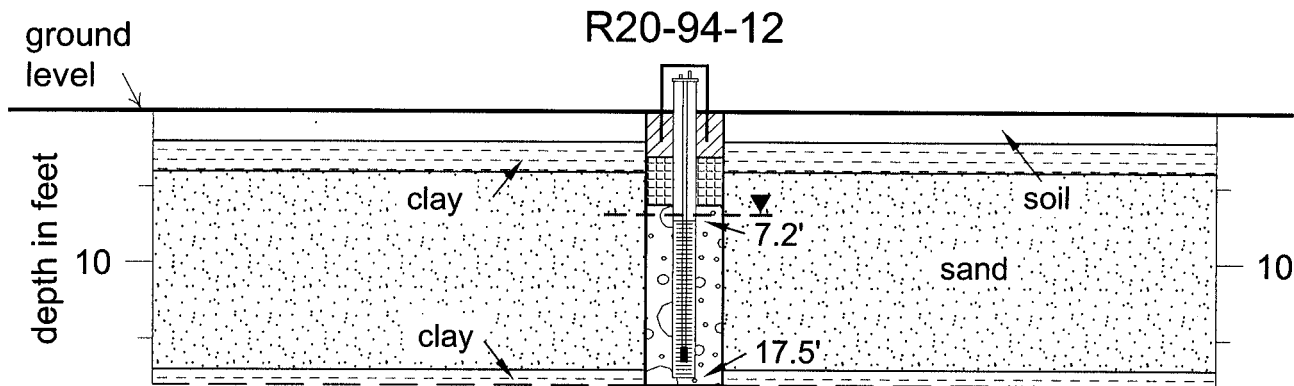






Native sediment (sand/gravel) and/or graded sand filter pack



Water level on August 3, 1994

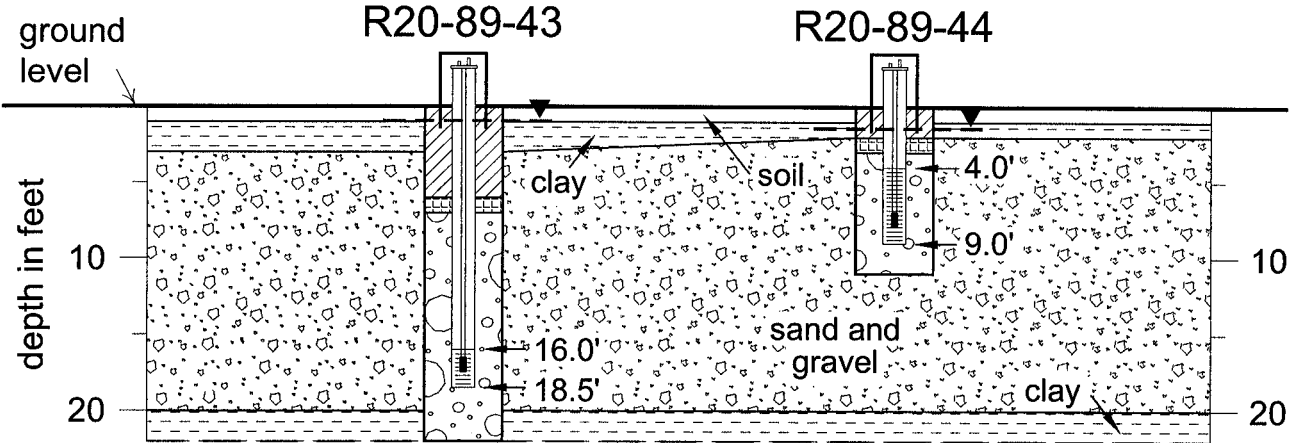
Big Sioux aquifer  
 SE SW SE SW sec. 24, T. 114 N., R. 52 W.  
 (near Lake Florence, Hamlin County)



-  Neat cement
-  Granular bentonite
-  Native sediment (sand/gravel) and/or graded sand filter pack
-  Water level on August 3, 1994

**Big Sioux aquifer**  
**SW SW SW SE sec. 15, T. 115 N., R. 52 W.**  
**(near Castlewood, Hamlin County)**

W ← → E



Neat cement



Granular bentonite



Native sediment (sand/gravel) and/or graded sand filter pack

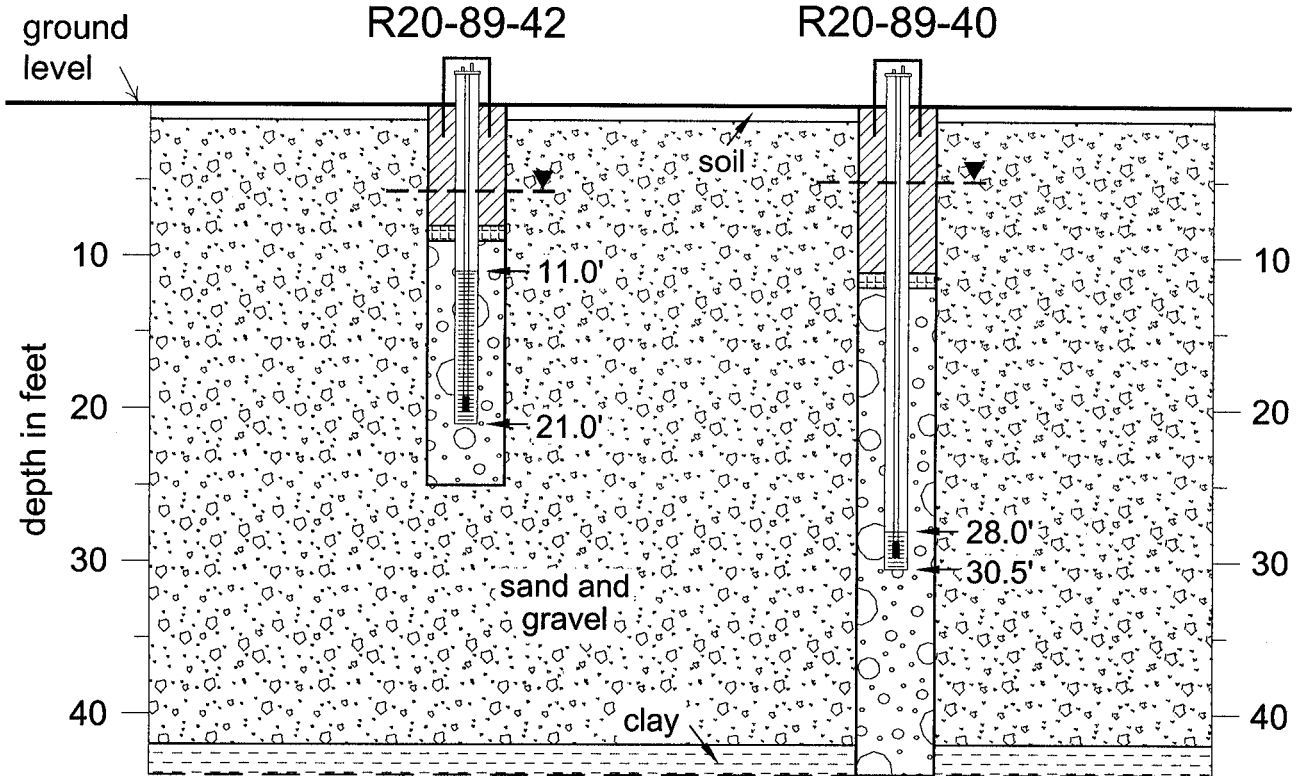



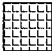


Water level on August 3, 1994



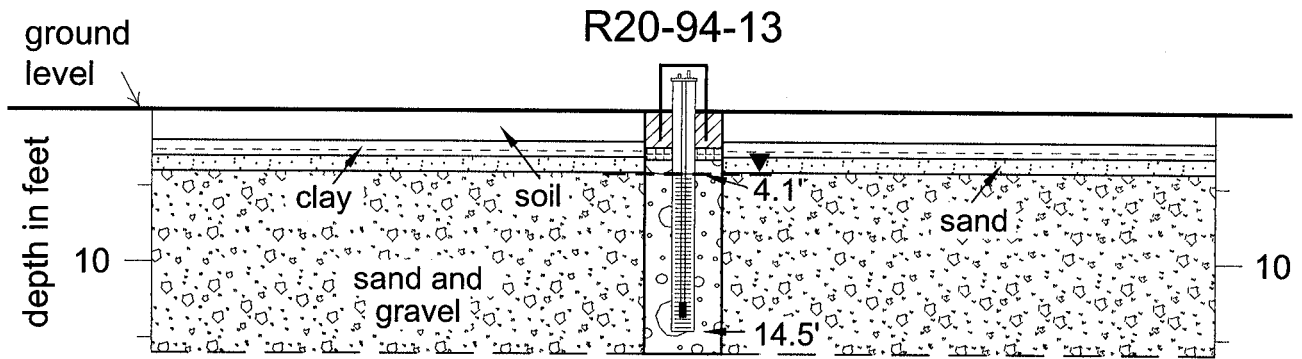
**Big Sioux aquifer**  
**NW SW NW NW sec. 21, T. 118 N., R. 52 W.**  
**(near Watertown, Codington County)**

S ← → N



-  Neat cement
-  Granular bentonite
-  Native sediment (sand/gravel) and/or graded sand filter pack
-  --▼-- Water level on August 2, 1994

Big Sioux aquifer  
NW NW NW NW sec. 14, T. 119 N., R. 52 W.  
(near Cottonwood Lake, Codington County)



Neat cement



Granular bentonite



Native sediment (sand/gravel) and/or graded sand filter pack

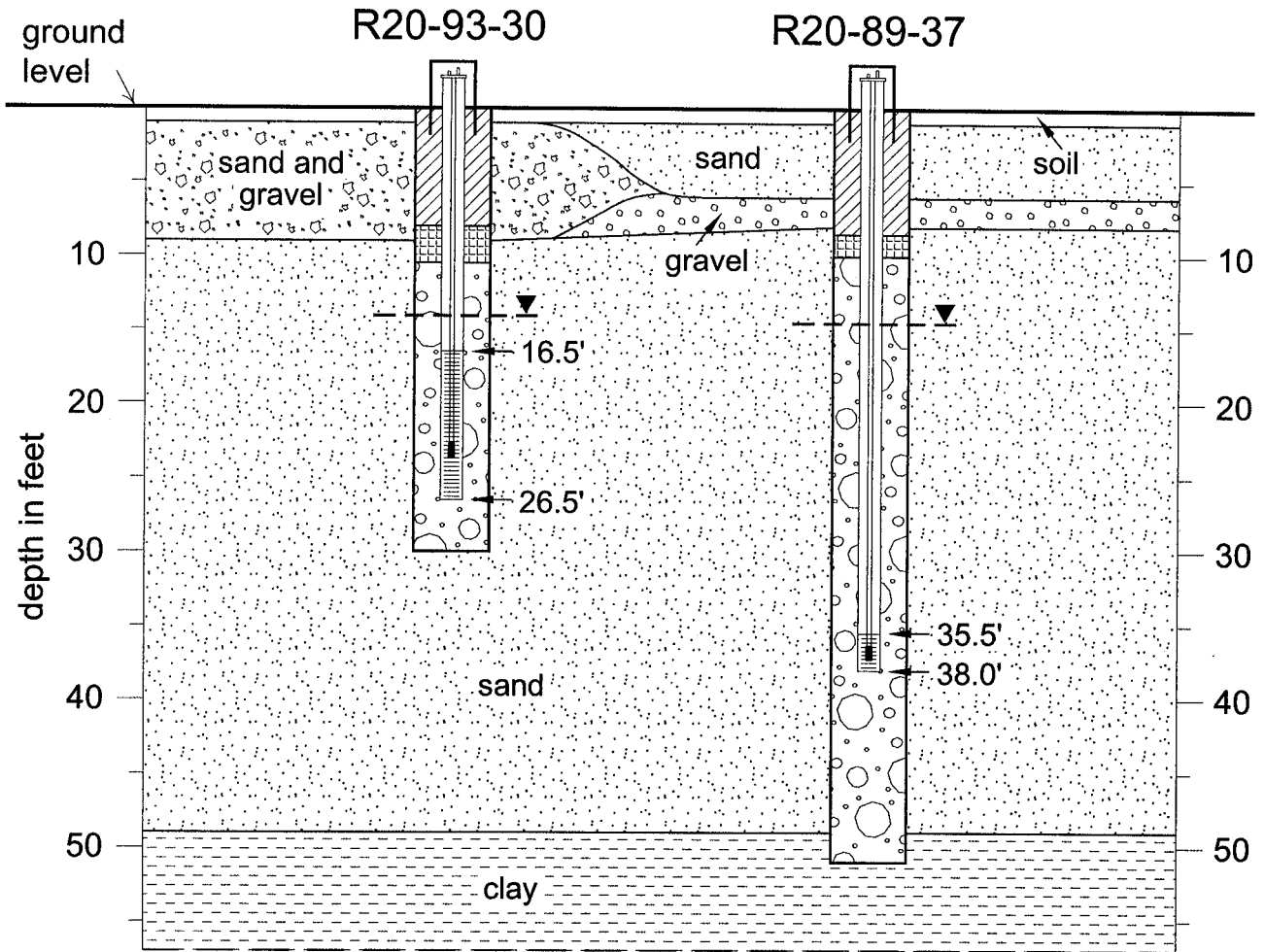


Water level on August 2, 1994

# Big Sioux aquifer

NE SE SE SE sec. 9, T. 120 N., R. 52 W.  
(near Lonesome Lake, Grant County)

S ← → N



Neat cement



Granular bentonite



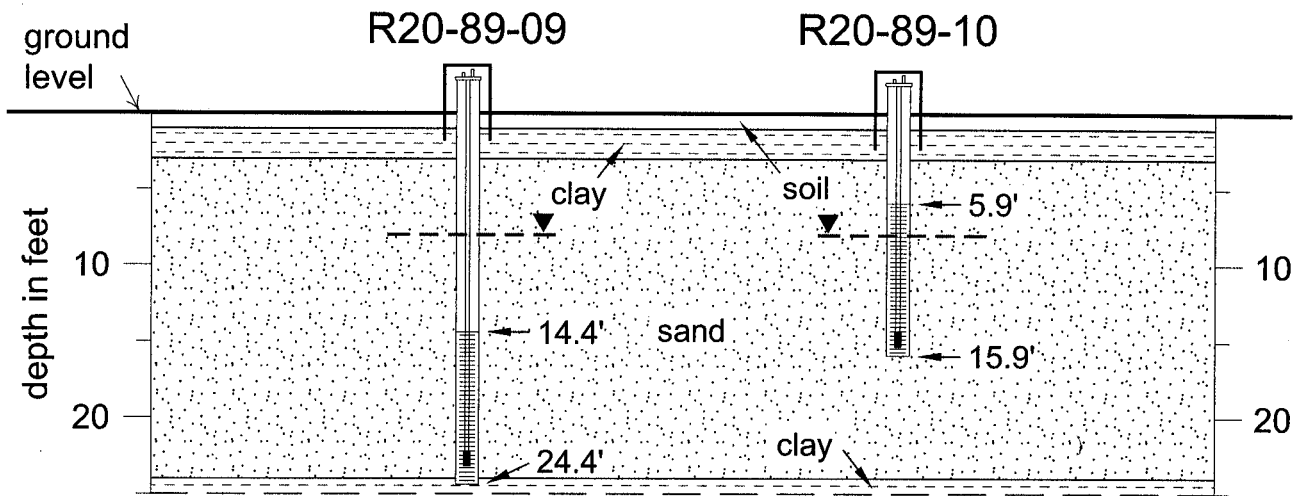
Native sediment (sand/gravel) and/or graded sand filter pack



Water level on August 2, 1994

Bowdle aquifer  
SE SE SE NE sec. 17, T. 119 N., R. 74 W.  
(north of Lebanon, Potter County)

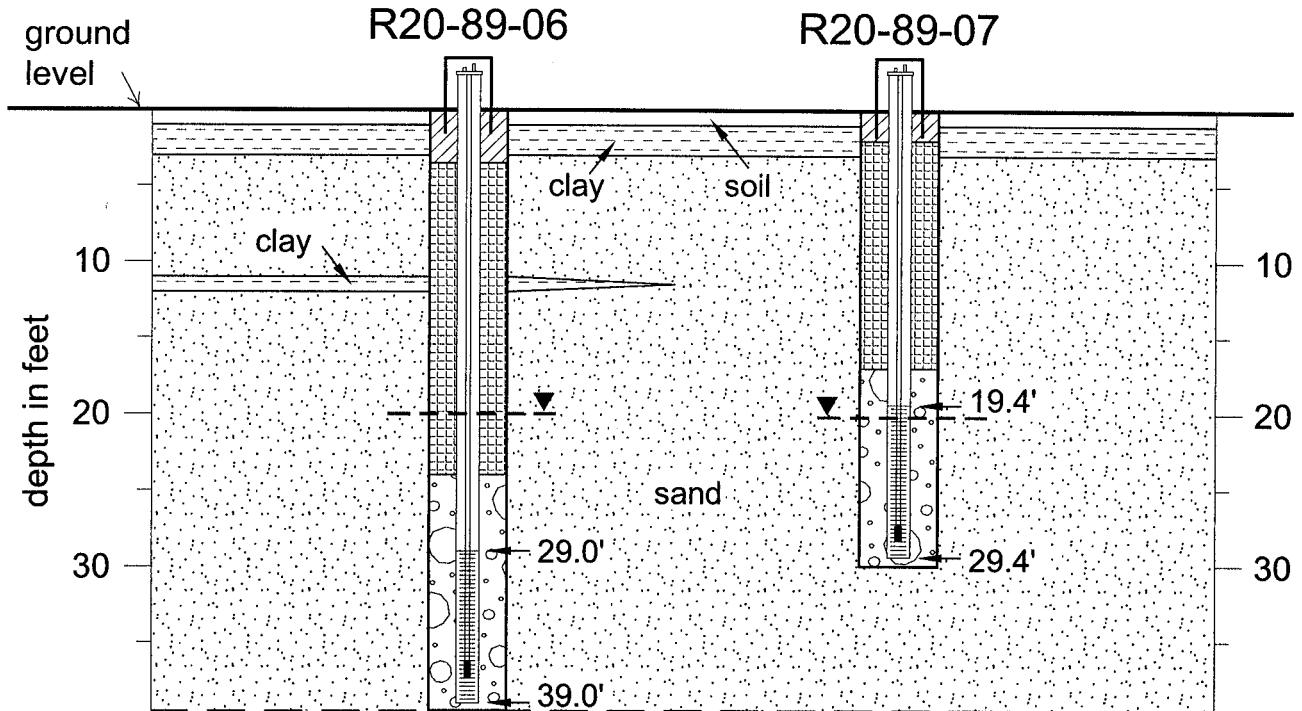
W ← → E


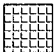




—▼— Water level on August 31, 1994

Bowdle aquifer  
SW SW SW SW sec. 22, T. 119 N., R. 74 W.  
(near Lebanon, Potter County)

S ← → N

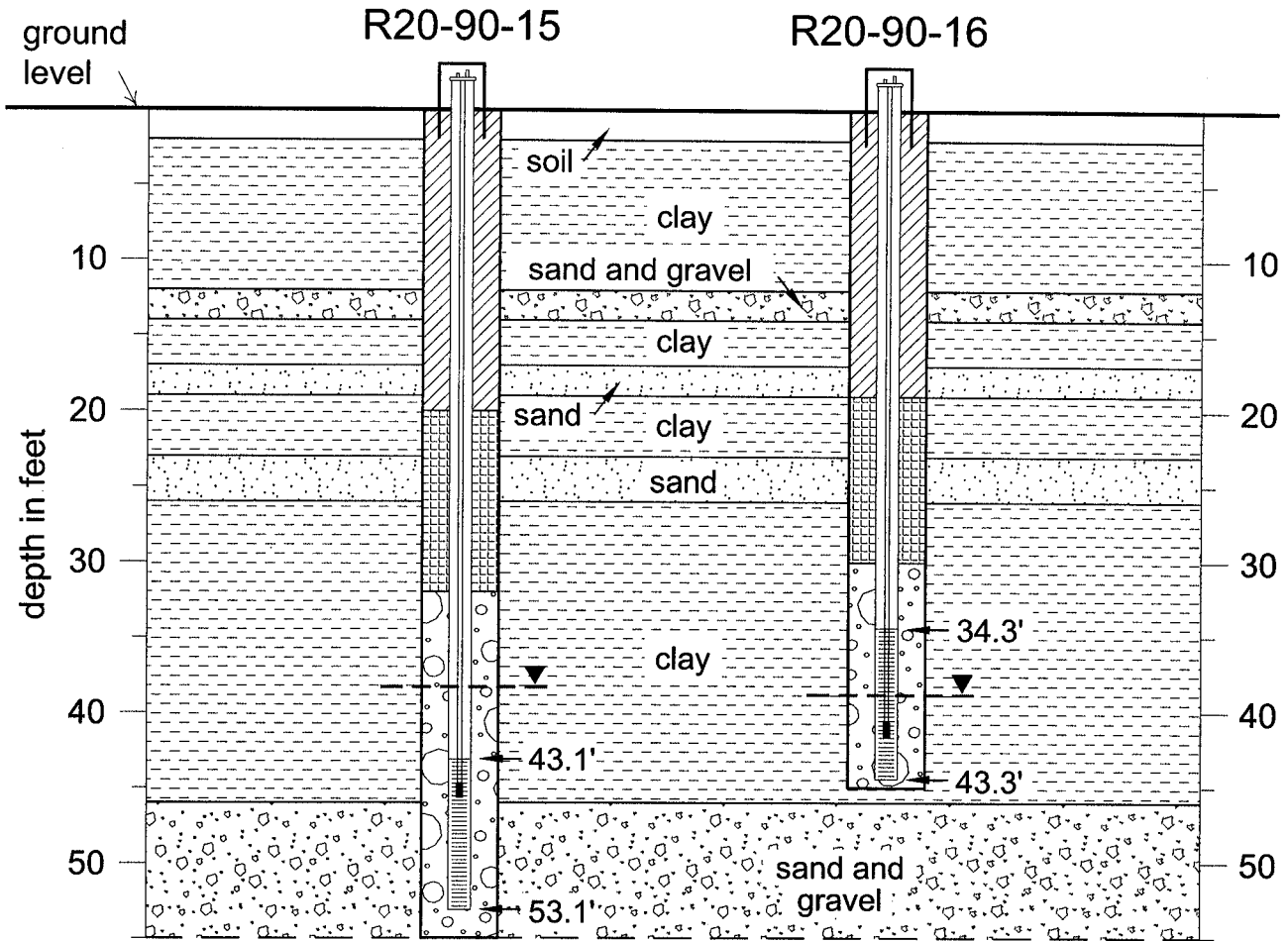


-  Neat cement
-  Granular bentonite
-  Native sediment (sand/gravel) and/or graded sand filter pack
-  Water level on August 31, 1994

# Bowdle aquifer

## SE SW SE SW sec. 4, T. 120 N., R. 74 W. (near Hoven, Potter County)

W ← → E



Neat cement



Granular bentonite



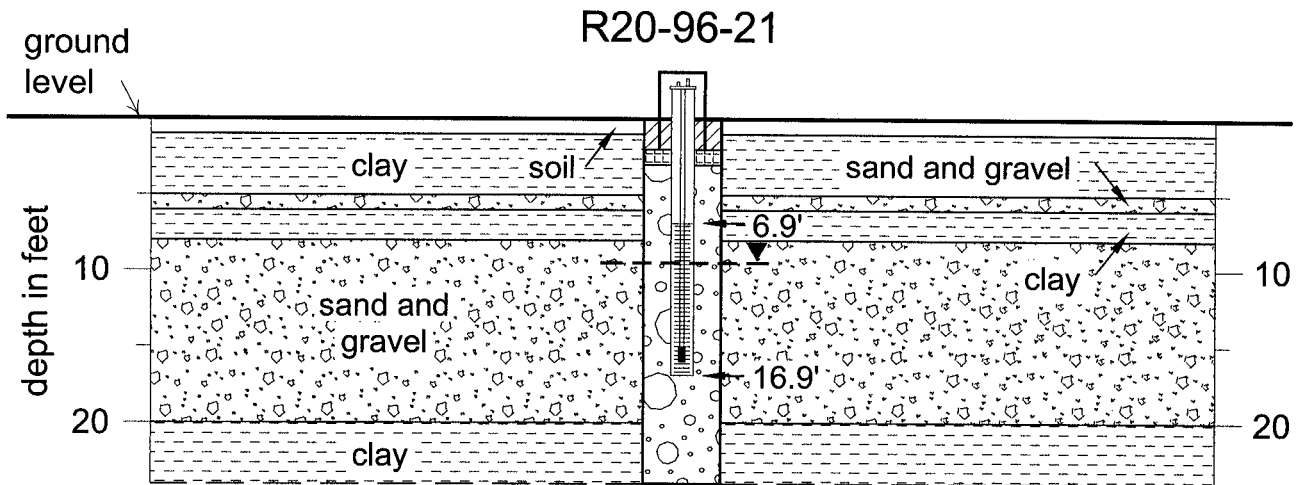
Native sediment (sand/gravel) and/or graded sand filter pack







Water level on August 31, 1994

# Bowdle aquifer

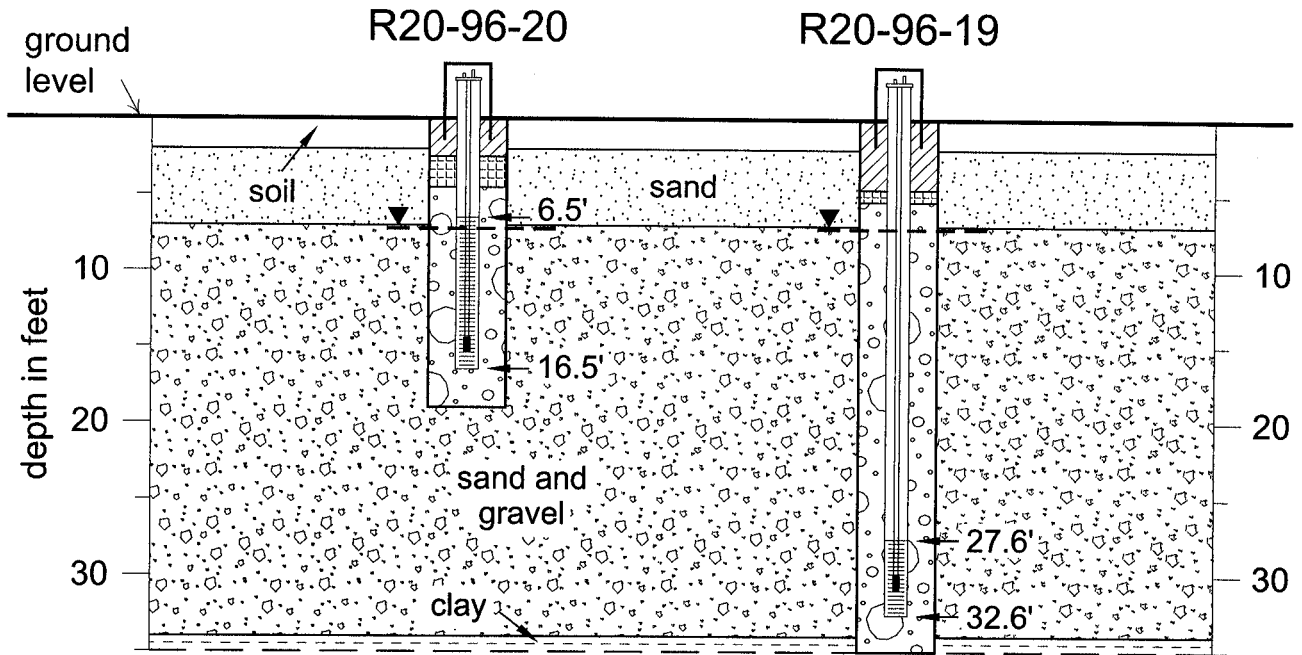
NE NE NE NE sec. 15, T. 121 N., R. 74 W.  
(north of Hoven, Walworth County)



-  Neat cement
-  Granular bentonite
-  Native sediment (sand/gravel) and/or graded sand filter pack
-  — ▼ — Water level on August 20, 1996

**Bowdle aquifer**  
**SE NE SE NE sec. 24, T. 123 N., R. 74 W.**  
**(west of Bowdle, Walworth County)**

S ←      → N



Neat cement



Granular bentonite



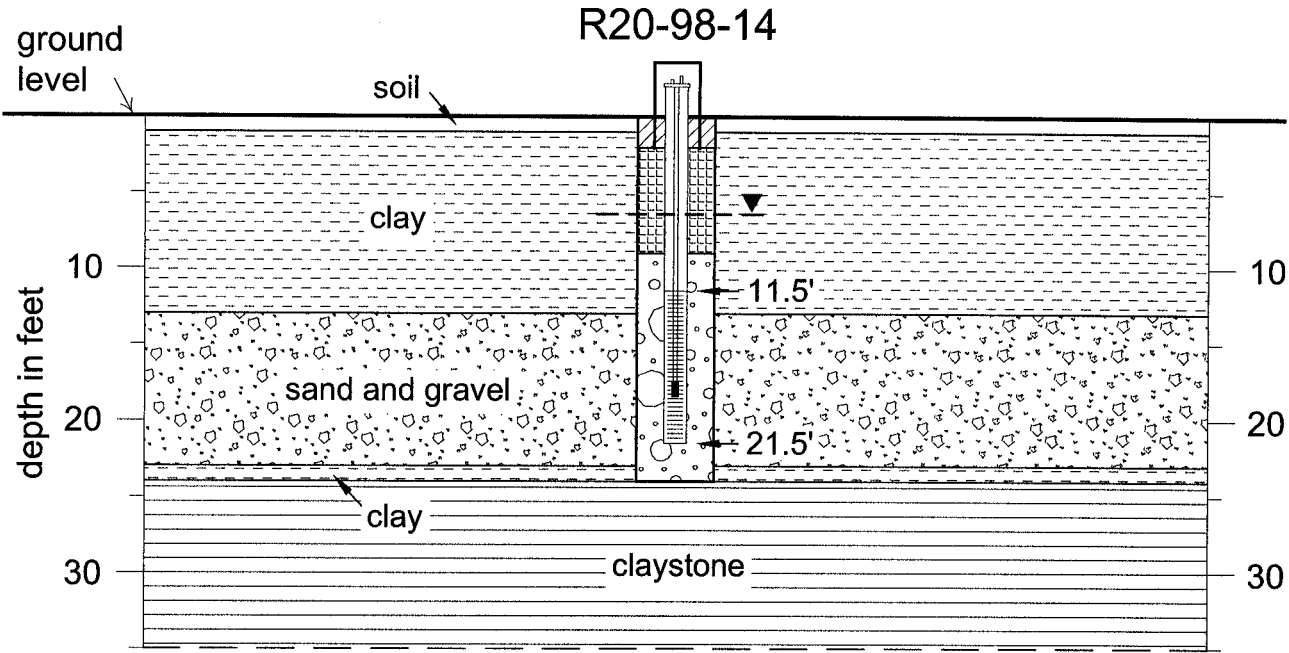
Native sediment (sand/gravel) and/or graded sand filter pack


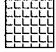




Water level on August 20, 1996

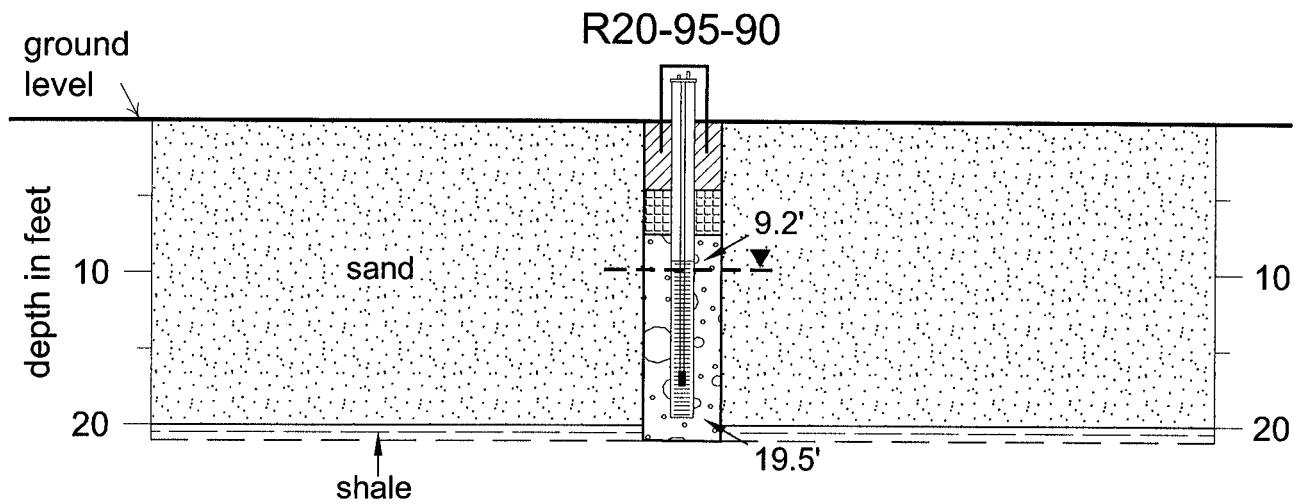



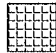
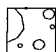

Chapelle Creek aquifer  
 NE SE NE NE sec. 32, T. 111 N., R. 74 W.  
 (northeast of De Grey, Hughes County)



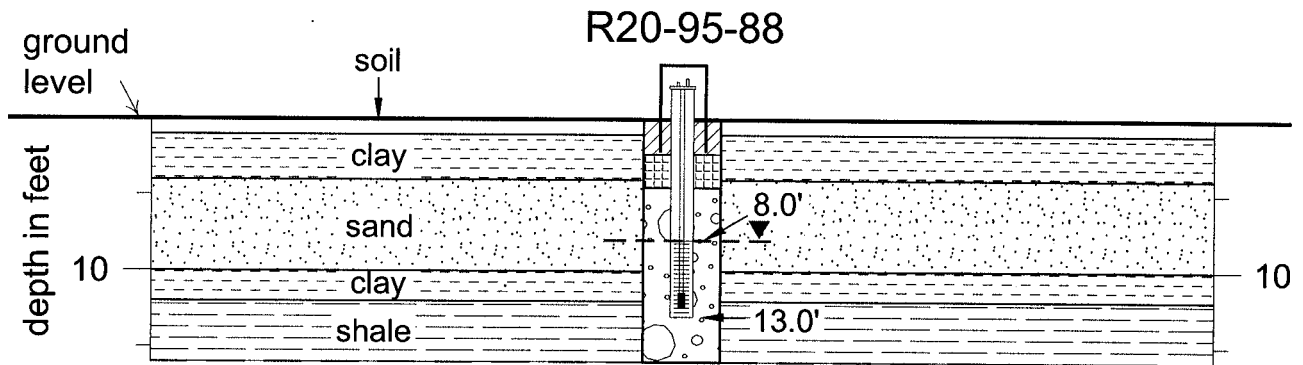
-  Neat cement
-  Granular bentonite
-  Native sediment (sand/gravel) and/or graded sand filter pack
-  Water level on August 12, 1998

Cheyenne River aquifer  
SE SE SW NE sec. 29, T. 6 S., R. 9 E.  
(lower Cheyenne River, Custer County)



-  Neat cement
-  Granular bentonite
-  Native sediment (sand/gravel) and/or graded sand filter pack
-  Water level on October 16, 1995

Cheyenne River aquifer  
SW NW NE NE sec. 28, T. 7 S., R. 7 E.  
(upper Cheyenne River, Fall River County)



Neat cement



Granular bentonite



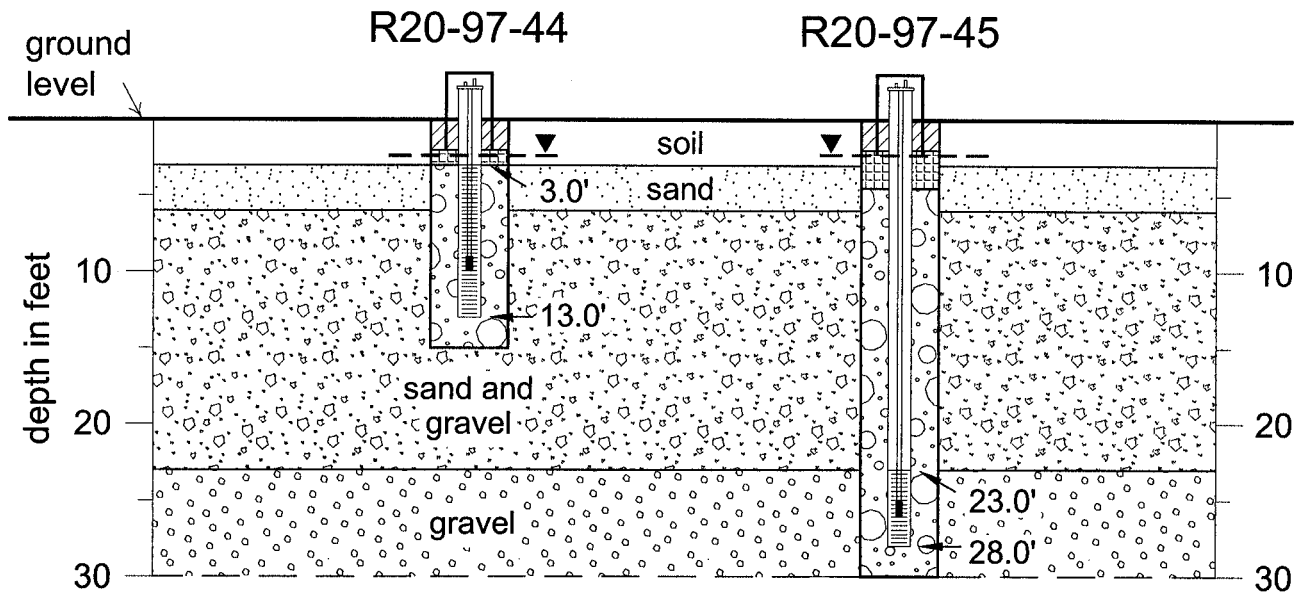
Native sediment (sand/gravel) and/or graded sand filter pack



Water level on October 16, 1995

Coteau Lakes aquifer  
NE SE SE SE sec. 11, T. 122 N., R. 53 W.  
(east of Blue Dog Lake, Day County)

S ← → N



Neat cement



Granular bentonite

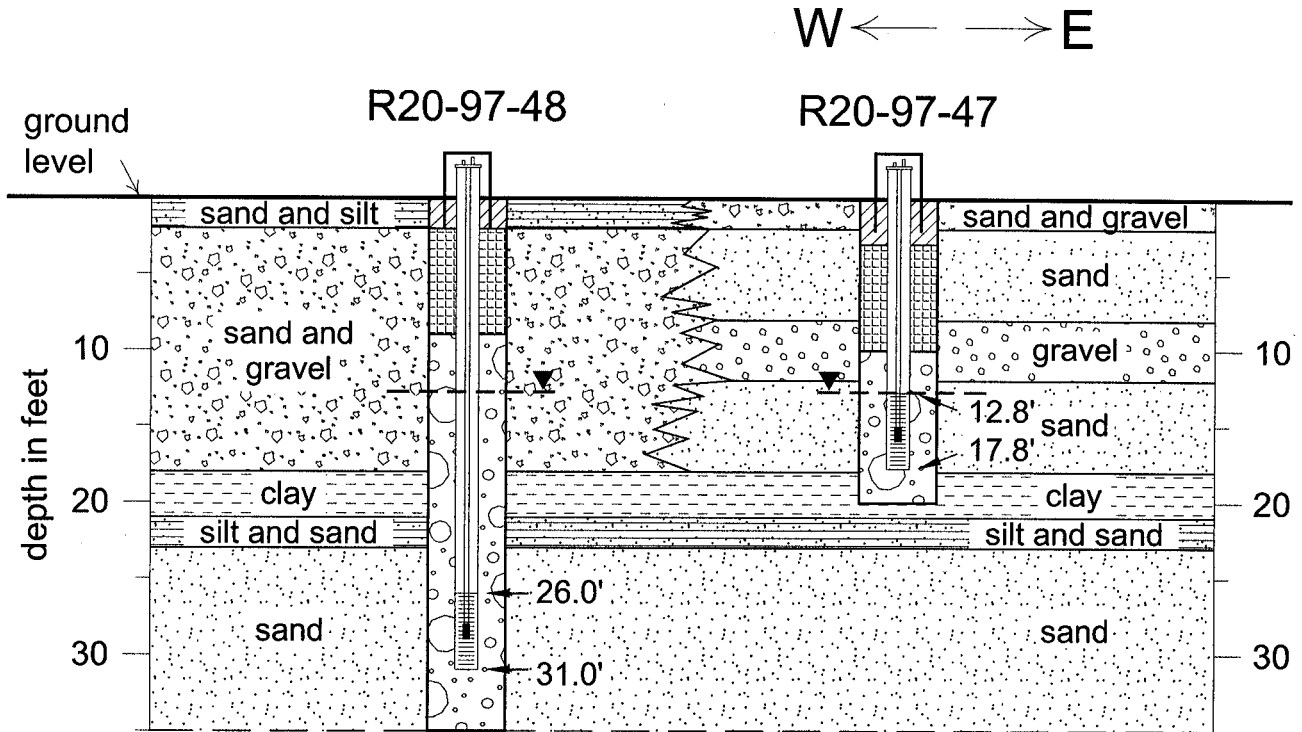


Native sediment (sand/gravel) and/or graded sand filter pack



Water level on August 25, 1998

**Coteau Lakes aquifer**  
 NW NE NW SW sec. 21, T. 126 N., R. 53 W.  
 (west of Sisseton, Marshall County)



Neat cement



Granular bentonite



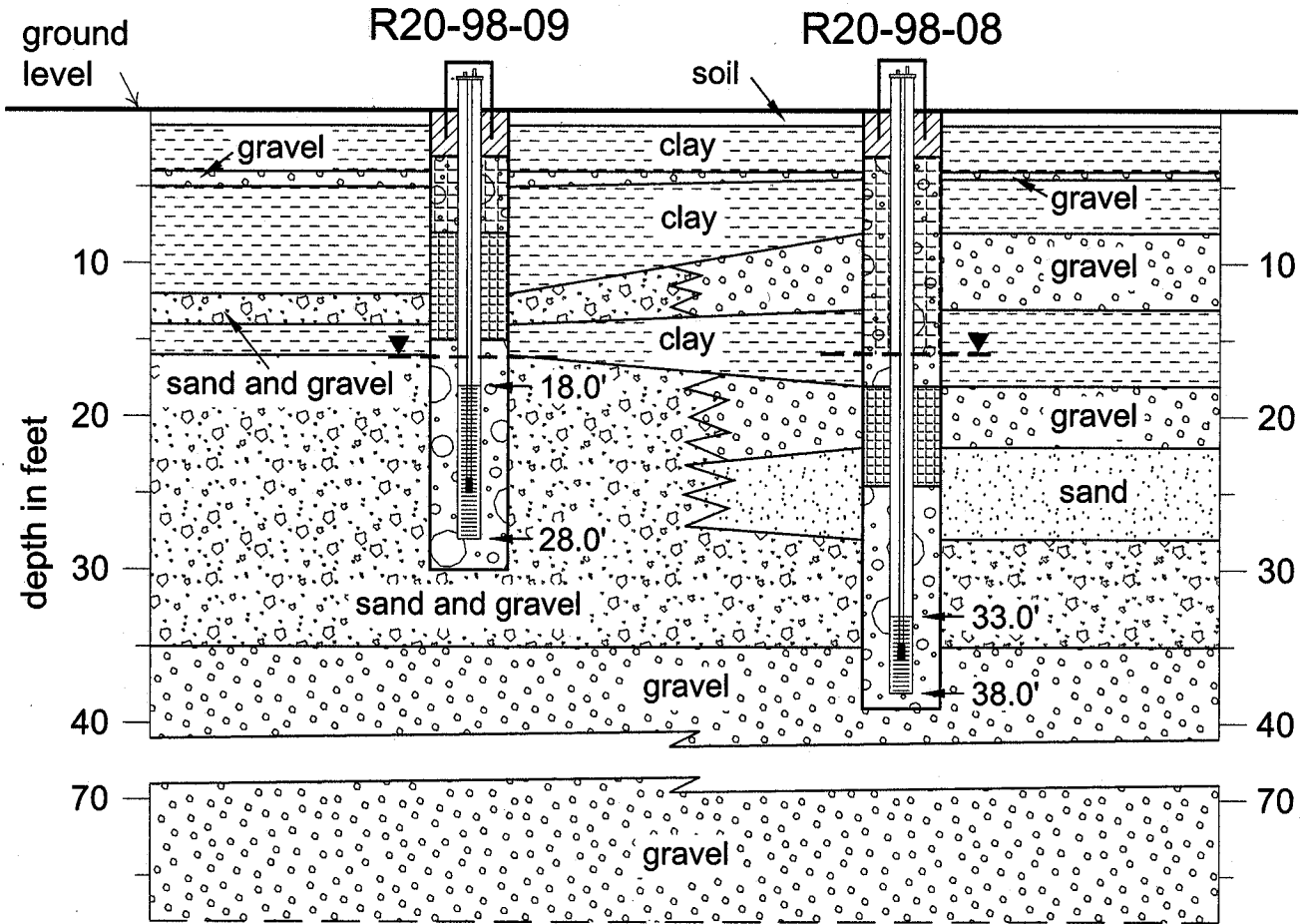
Native sediment (sand/gravel) and/or graded sand filter pack








Water level on August 25, 1998

**Cow Creek aquifer**  
**NW NW NW NW sec. 35, T. 114 N., R. 78 W.**  
**(southwest of Onida, Sully County)**

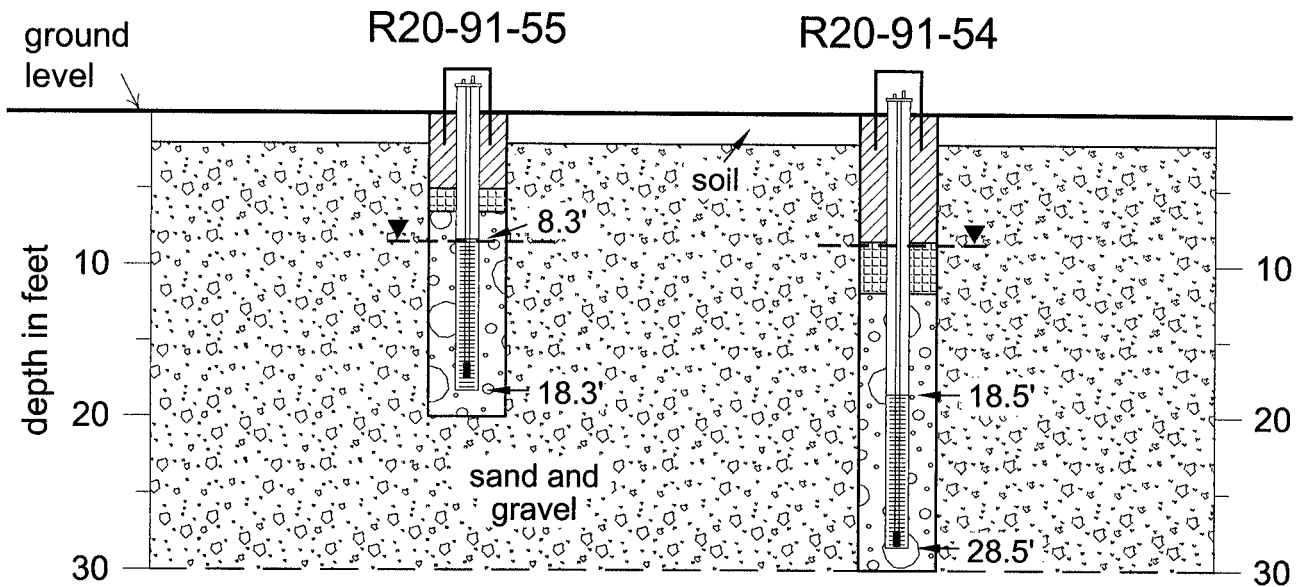
W ← → E



-  Neat cement
-  Granular bentonite
-  Bentonite and cuttings
-  Native sediment (sand/gravel) and/or graded sand filter pack
-  Water level on August 12, 1998

**Delmont aquifer**  
**SE SE SE SW sec. 26, T. 98 N., R. 63 W.**  
**(near Delmont, Douglas County)**

W ← → E



Neat cement



Granular bentonite



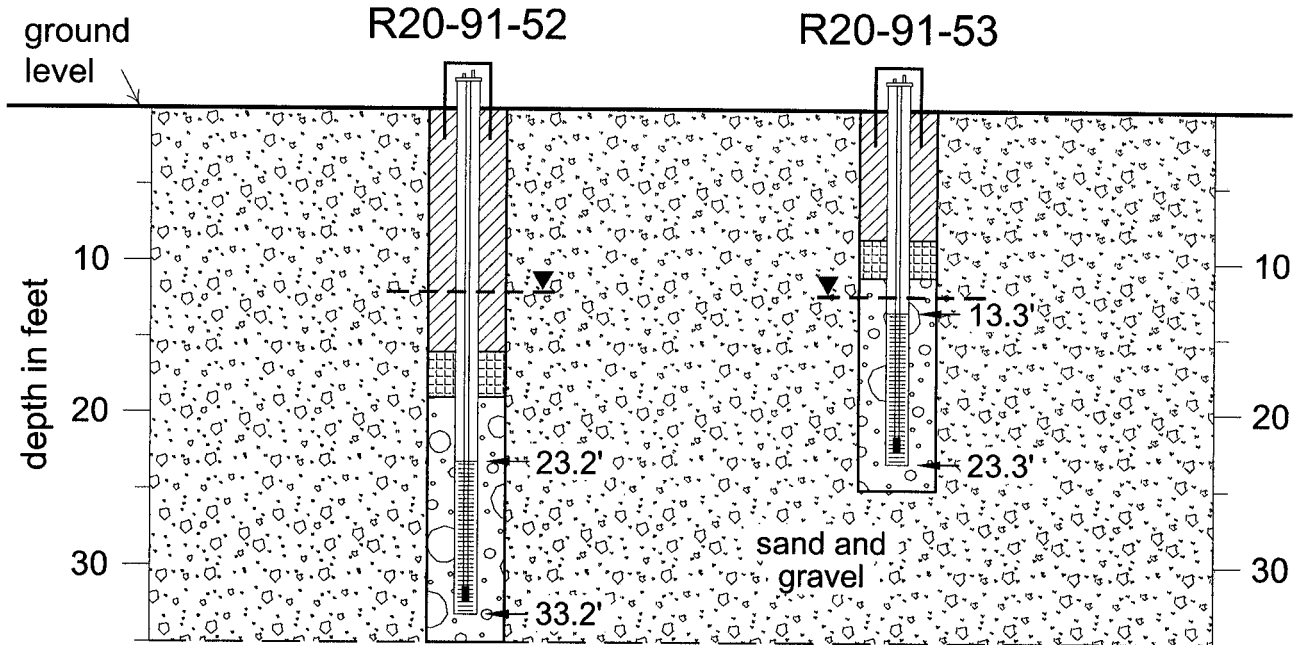
Native sediment (sand/gravel) and/or graded sand filter pack



Water level on August 30, 1994

Delmont aquifer  
NE NE SE NE sec. 36, T. 98 N., R. 63 W.  
(near Delmont, Douglas County)

S ← → N



Neat cement



Granular bentonite



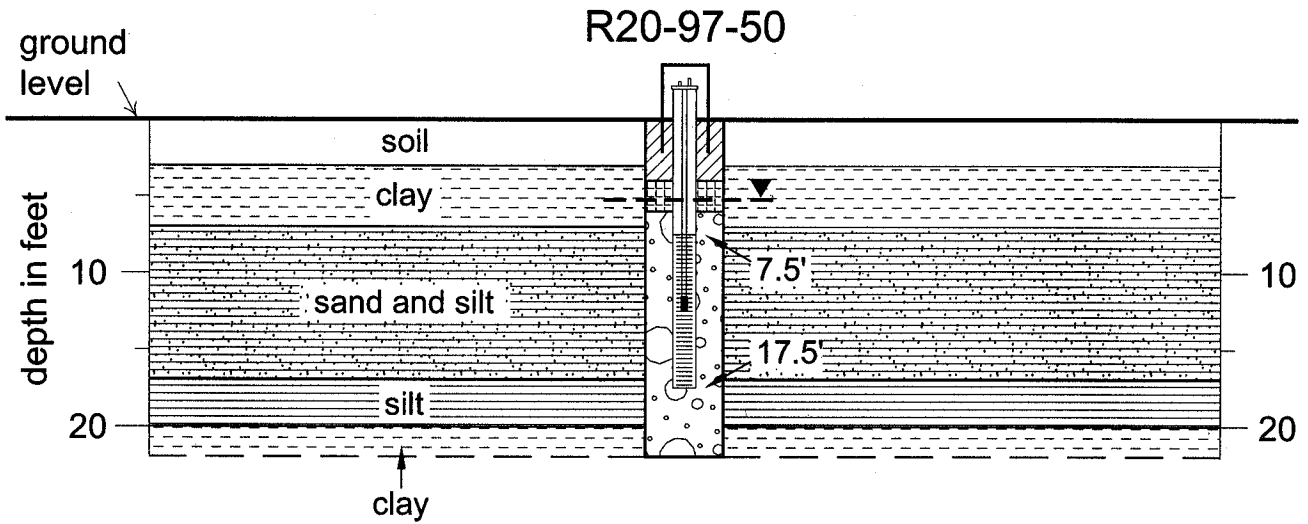
Native sediment (sand/gravel) and/or graded sand filter pack


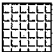




Water level on August 30, 1994



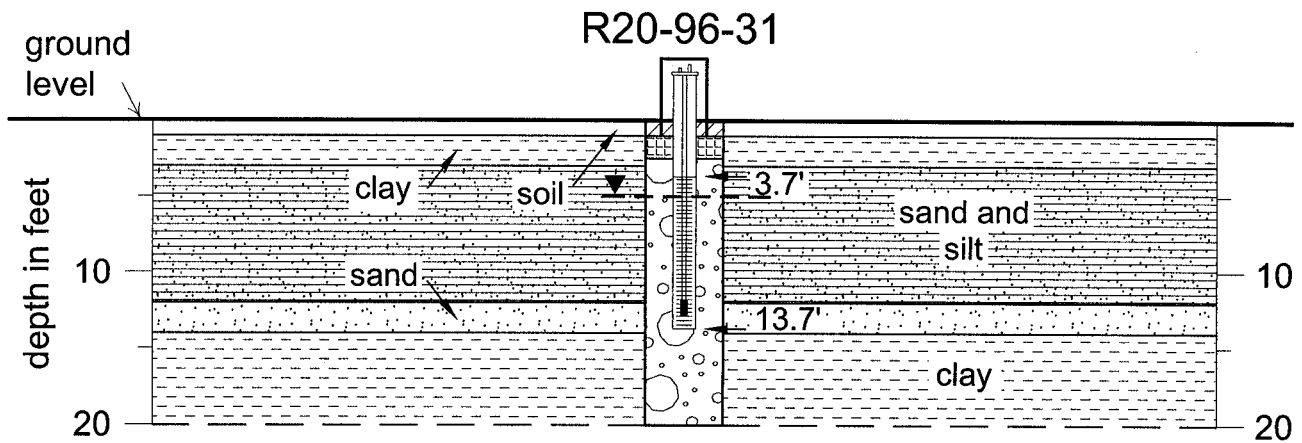
**Elm aquifer**  
**SE SE SE SE sec. 17, T. 124 N., R. 63 W.**  
**(north of Aberdeen, Brown County)**


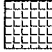




-  Neat cement
-  Granular bentonite
-  Native sediment (sand/gravel) and/or graded sand filter pack
-  Water level on August 23, 1999

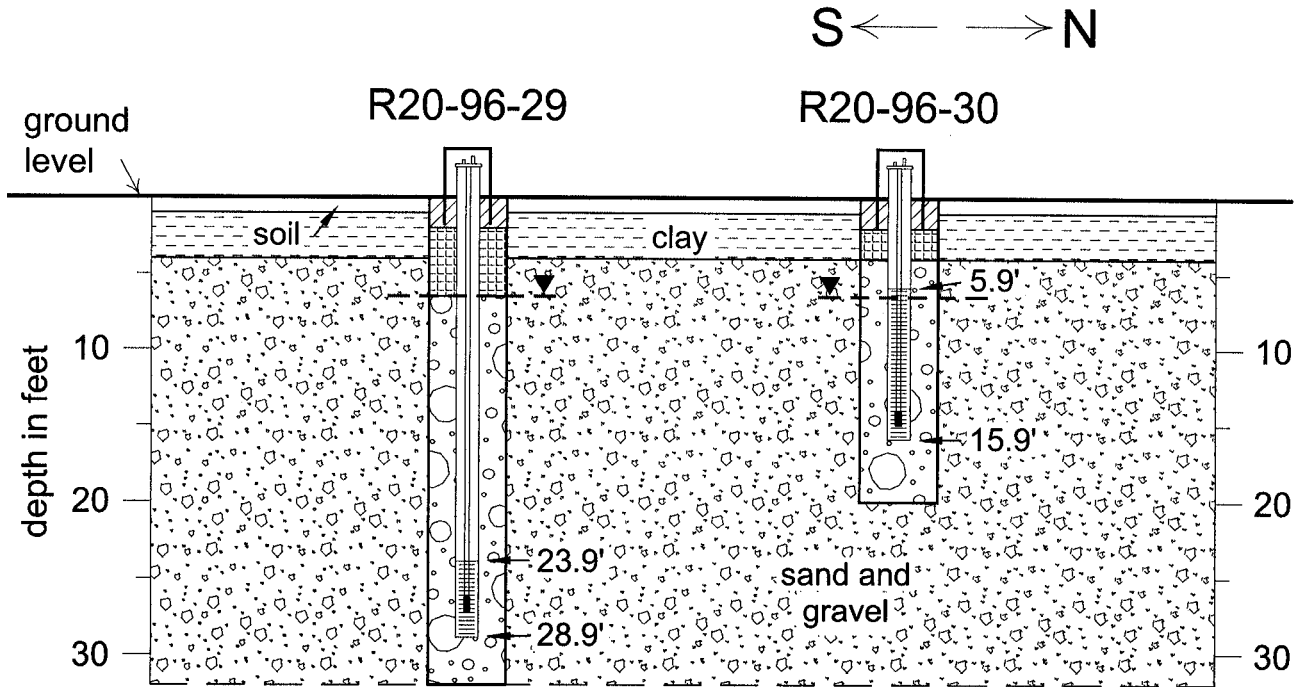
# Highmore-Blunt aquifer


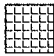


SW NW NW NW sec. 15, T. 112 N., R. 73 W.  
(south of Holabird, Hyde County)



-  Neat cement
-  Granular bentonite
-  Native sediment (sand/gravel) and/or graded sand filter pack
-  Water level on August 20, 1996

Highmore-Blunt aquifer  
NW SW NW NW sec. 2, T. 112 N., R. 76 W.  
(east of Blunt, Hughes County)

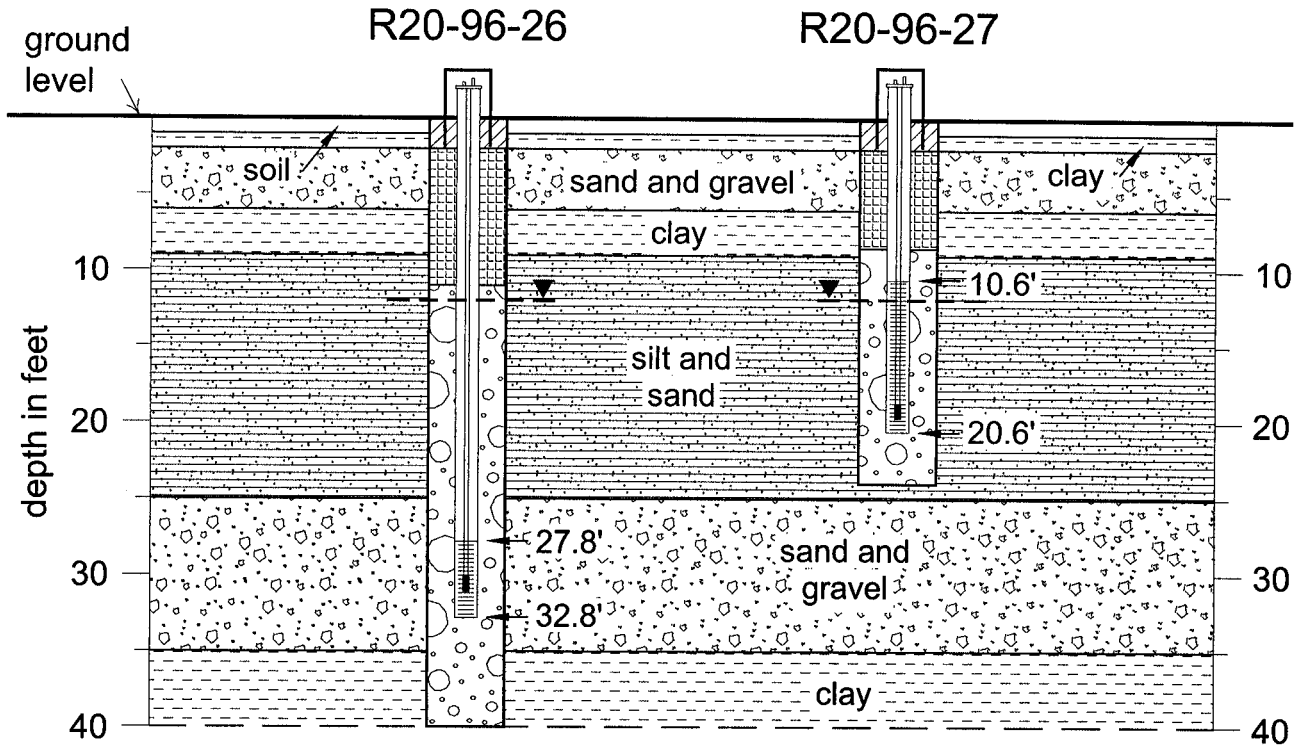


-  Neat cement
-  Granular bentonite
-  Native sediment (sand/gravel) and/or graded sand filter pack
-  Water level on August 20, 1996

# Highmore-Blunt aquifer

## SW SW SW SW sec. 4, T. 114 N., R. 74 W. (east of Onida, Sully County)

W ←      → E



Neat cement



Granular bentonite



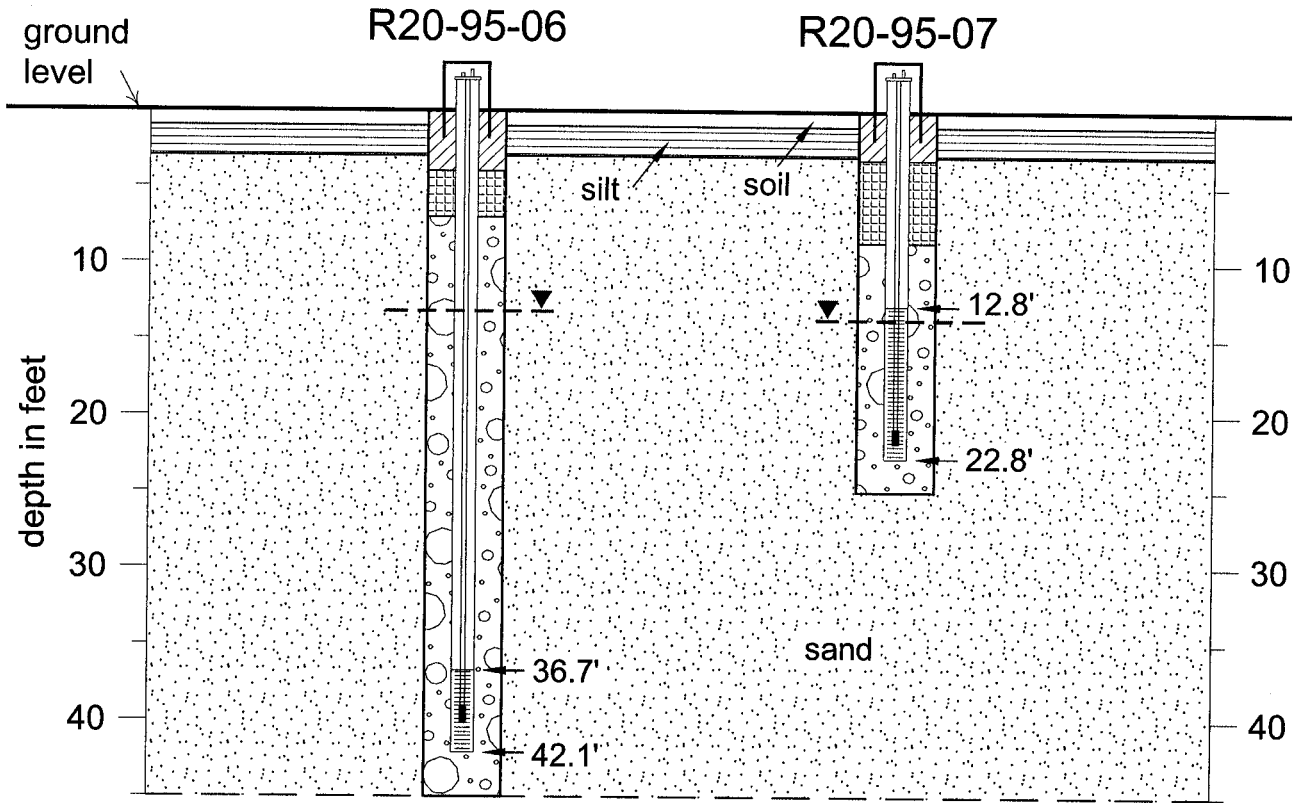
Native sediment (sand/gravel) and/or graded sand filter pack



Water level on August 20, 1996

Missouri aquifer  
 SE SE SE NW sec. 14, T. 32 N., R. 4 E.  
 (south of Vermillion, Clay County)

W ← → E



Neat cement



Granular bentonite



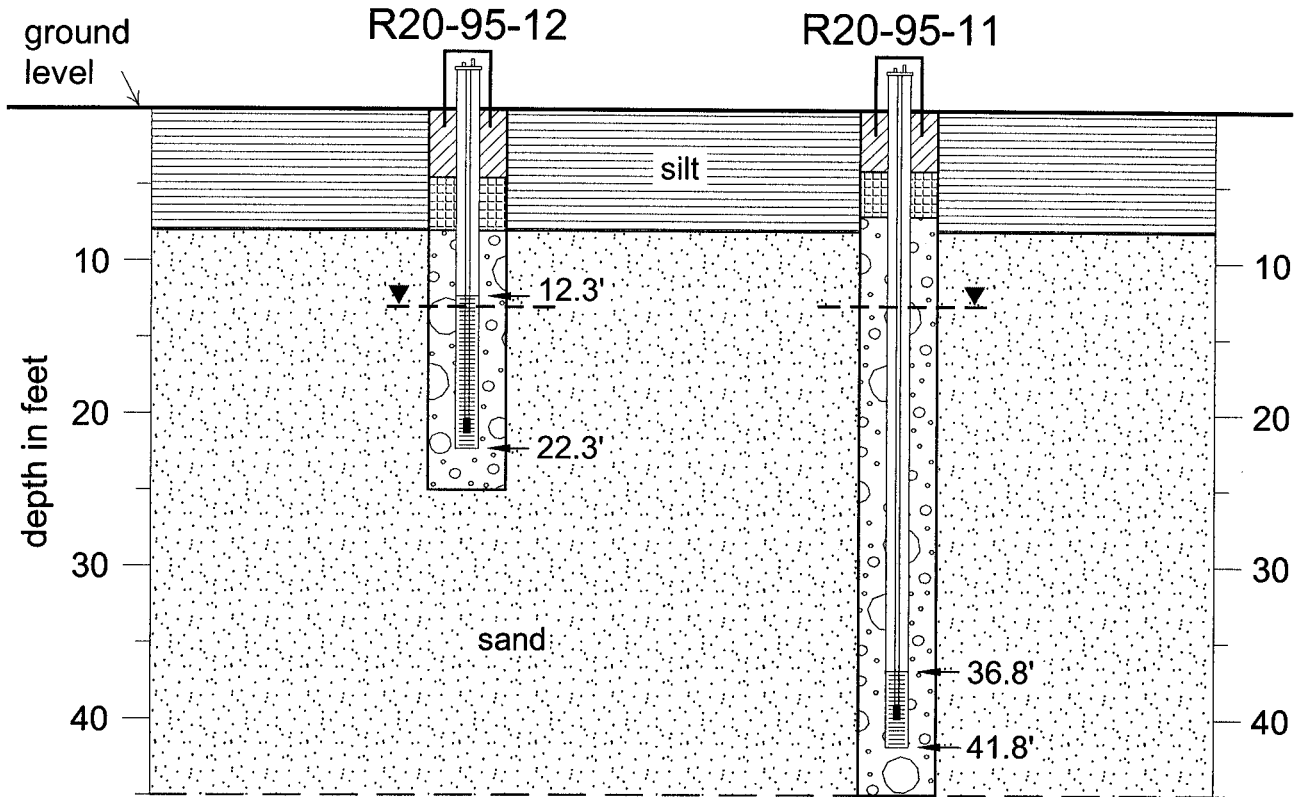
Native sediment (sand/gravel) and/or graded sand filter pack



Water level on July 7, 1995

Missouri aquifer  
SW SW SW NW sec. 28, T. 90 N., R. 49 W.  
(west of Jefferson, Union County)

S ← → N



Neat cement



Granular bentonite



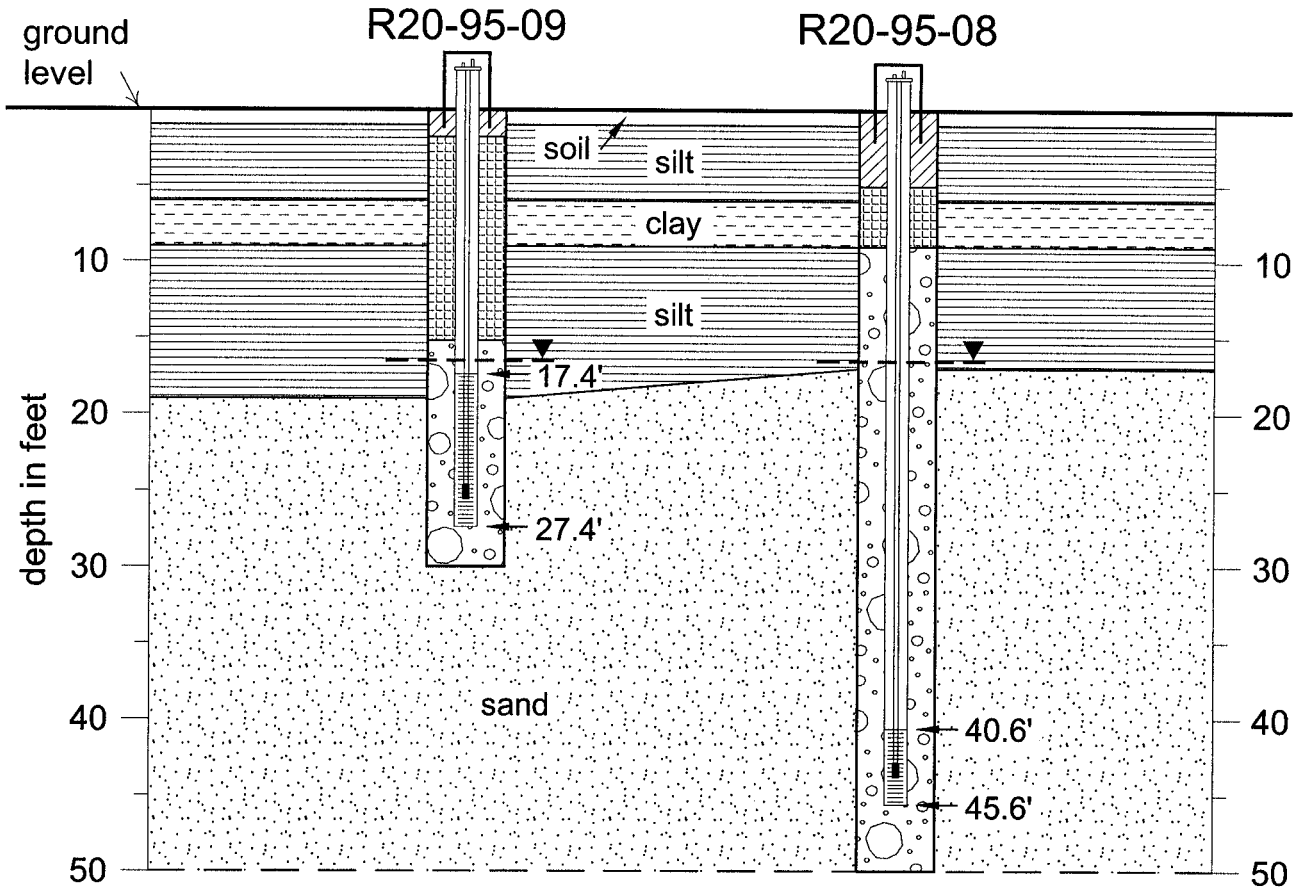
Native sediment (sand/gravel) and/or graded sand filter pack



Water level on May 29, 1996

Missouri aquifer  
 SW SW SW SW sec. 15, T. 91 N., R. 50 W.  
 (west of Elk Point, Union County)

S ← → N



Neat cement



Granular bentonite



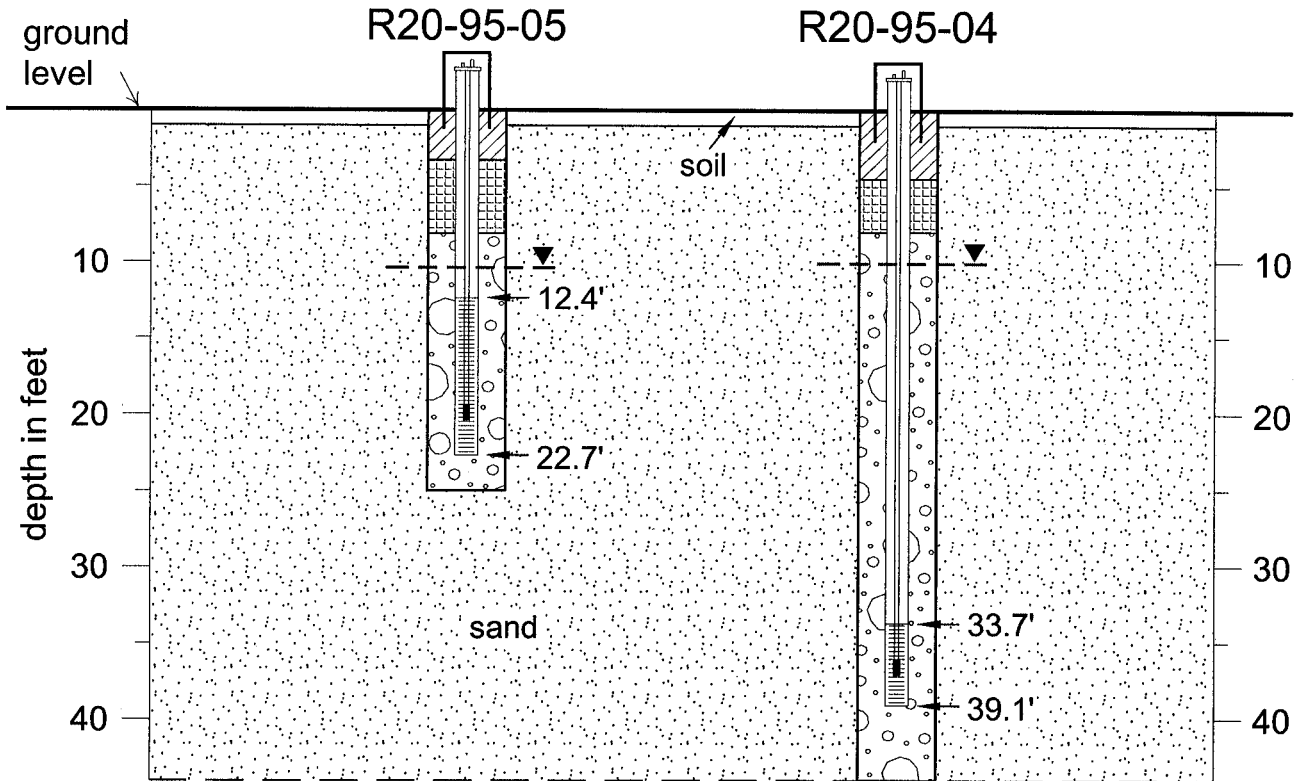
Native sediment (sand/gravel) and/or graded sand filter pack



Water level on June 5, 1995

Missouri aquifer  
 SW SW SE NE sec. 35, T. 93 N., R. 54 W.  
 (south of Gayville, Yankton County)

W ← → E



Neat cement



Granular bentonite



Native sediment (sand/gravel) and/or graded sand filter pack

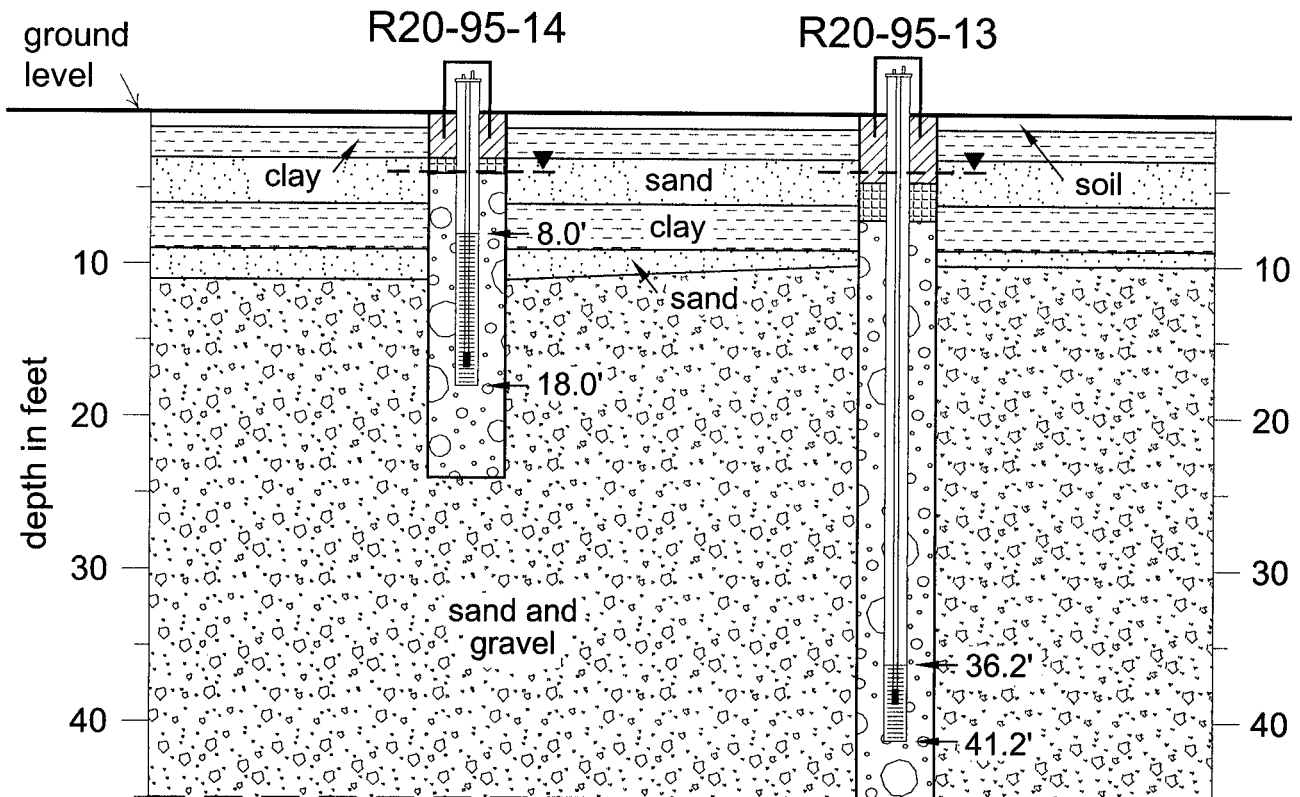


Water level on August 23, 1995



**Missouri aquifer**  
**NE NE NE NE sec. 17, T. 94 N., R. 54 W.**  
**(west of Volin, Yankton County)**

W ← → E



Neat cement



Granular bentonite



Native sediment (sand/gravel) and/or graded sand filter pack

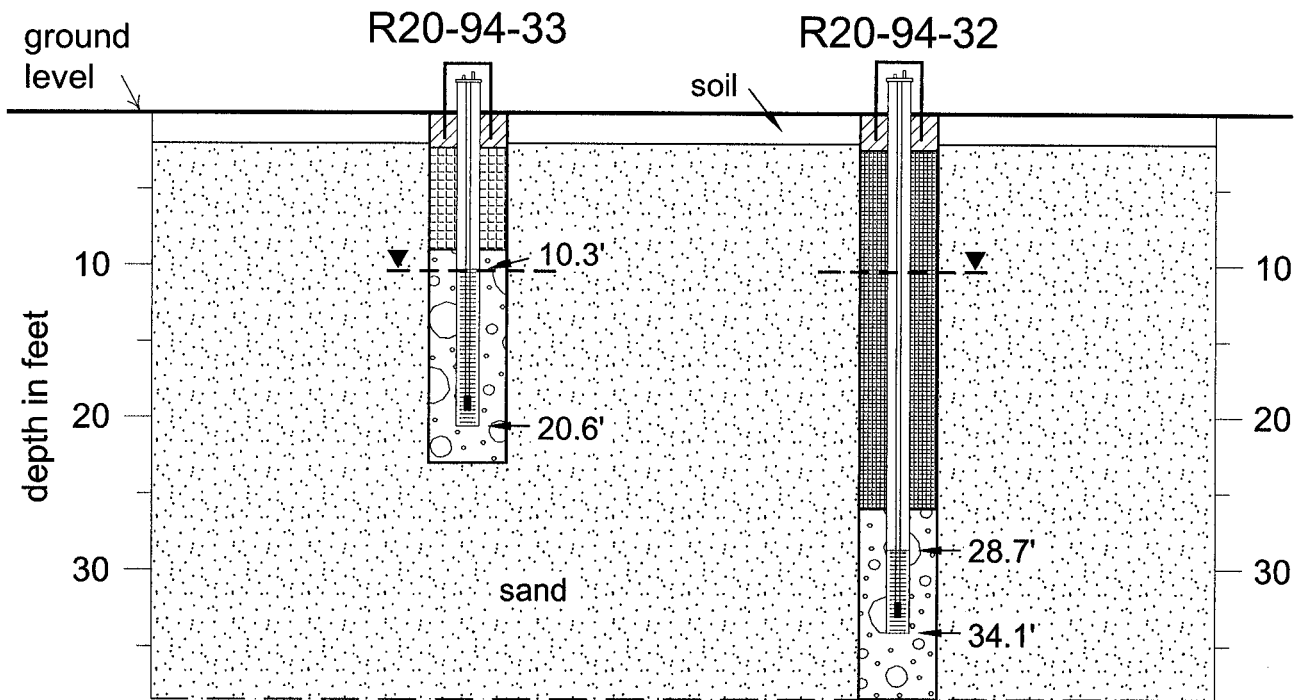


Water level on July 11, 1995

# Ogallala aquifer

NW NW NW NW sec. 3, T. 35 N., R. 27 W.  
 (west of Littleburg School, Todd County)

W ← — — — — — → E

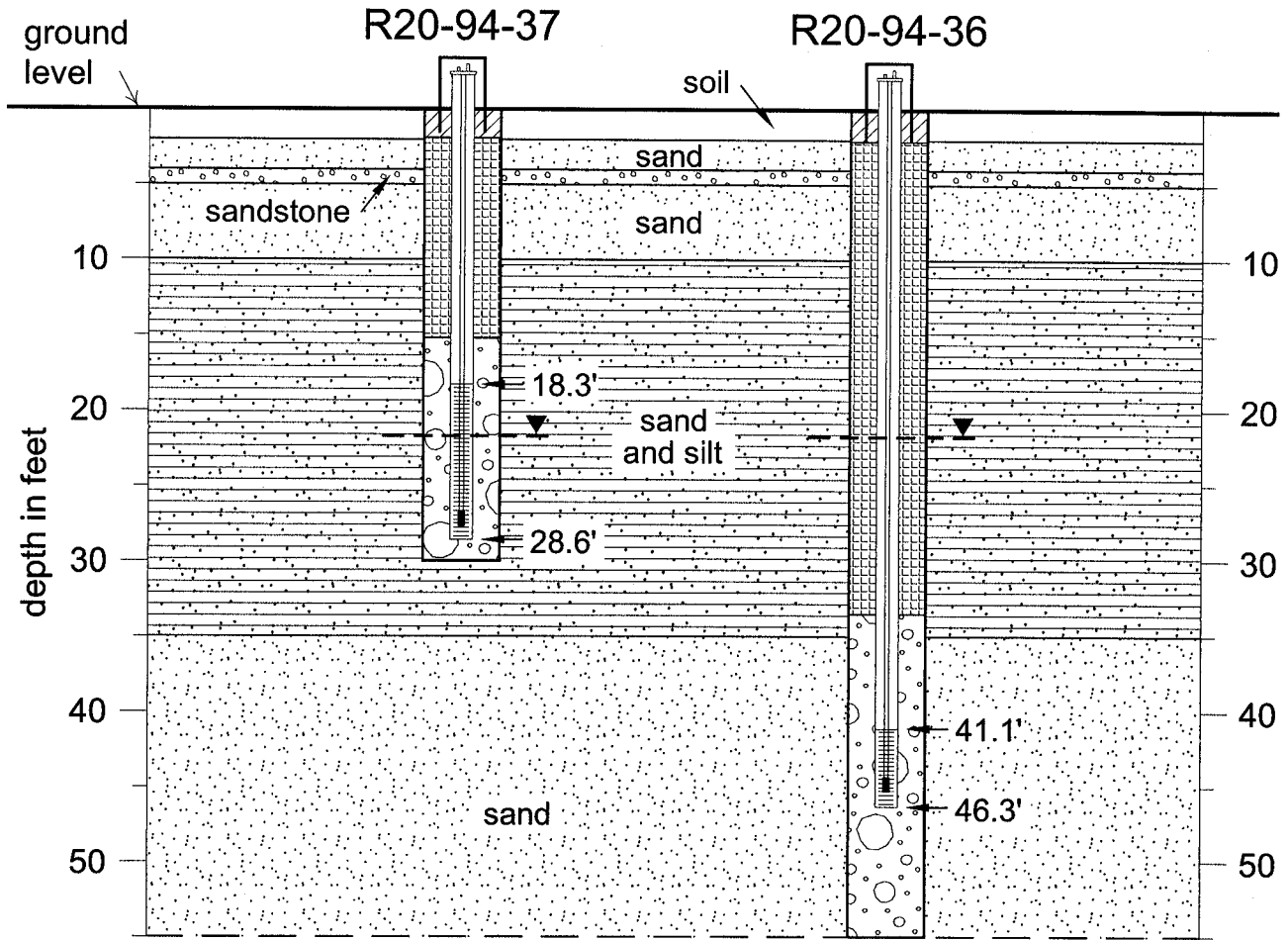


- Neat cement
- Granular bentonite
- Bentonite slurry
- Native sediment (sand/gravel) and/or graded sand filter pack
- ▼— Water level on May 9, 1995

# Ogallala aquifer

## SE SE SE SE sec. 6, T. 35 N., R. 30 W. (south of St. Francis, Todd County)

W ← → E



Neat cement



Granular bentonite



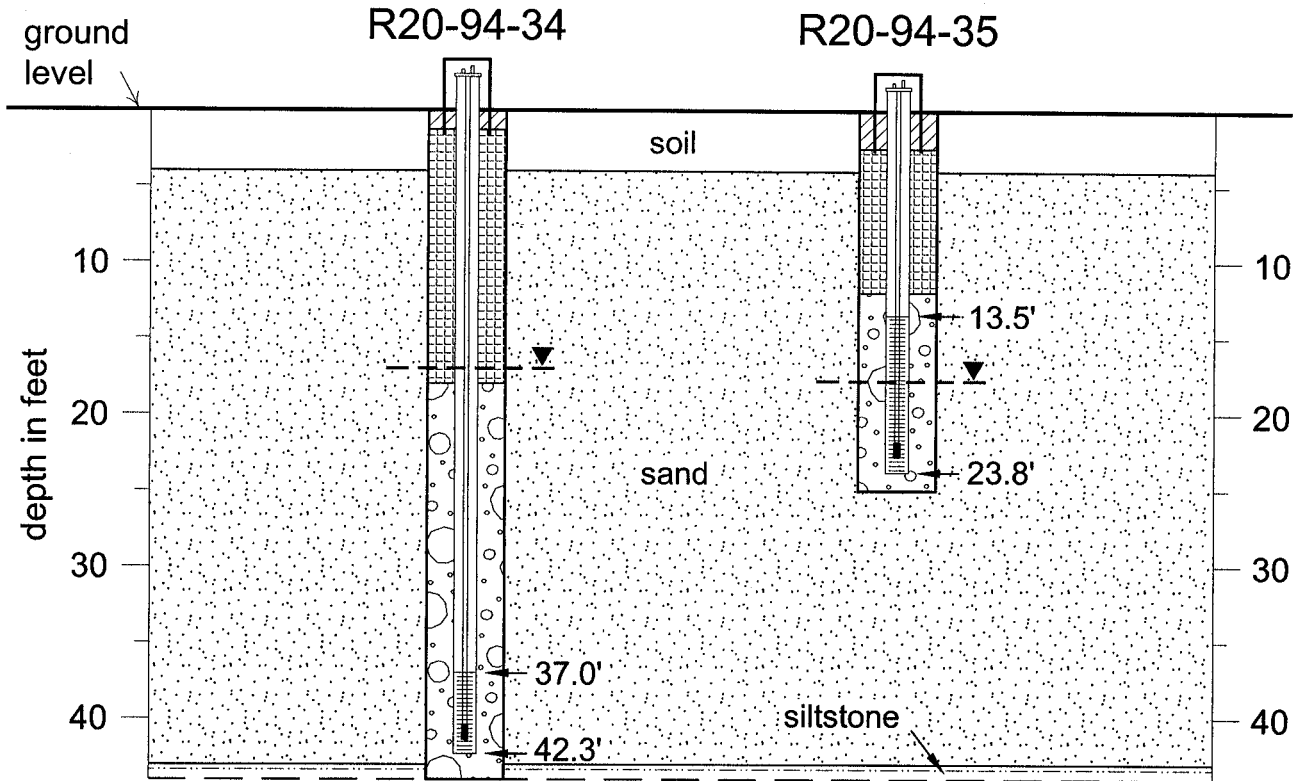
Native sediment (sand/gravel) and/or graded sand filter pack



Water level on May 9, 1995

Ogallala aquifer  
 SE SE SE NE sec. 29, T. 36 N., R. 29 W.  
 (south of Lakeview, Todd County)

S ← → N



Neat cement



Granular bentonite



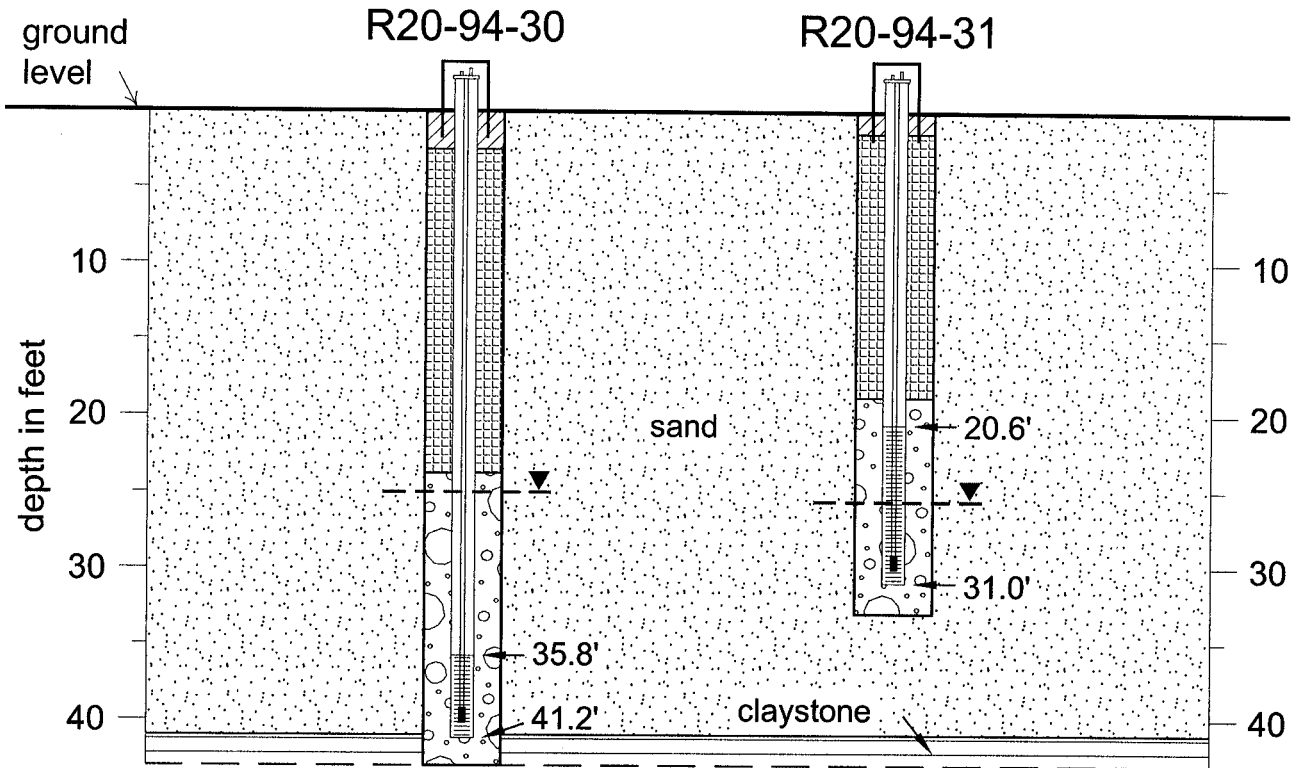
Native sediment (sand/gravel) and/or graded sand filter pack



Water level on May 16, 1995

Ogallala aquifer  
 SE SE SE SE sec. 17, T. 37 N., R. 34 W.  
 (south of Vetal, Bennett County)

W ← → E



Neat cement



Granular bentonite



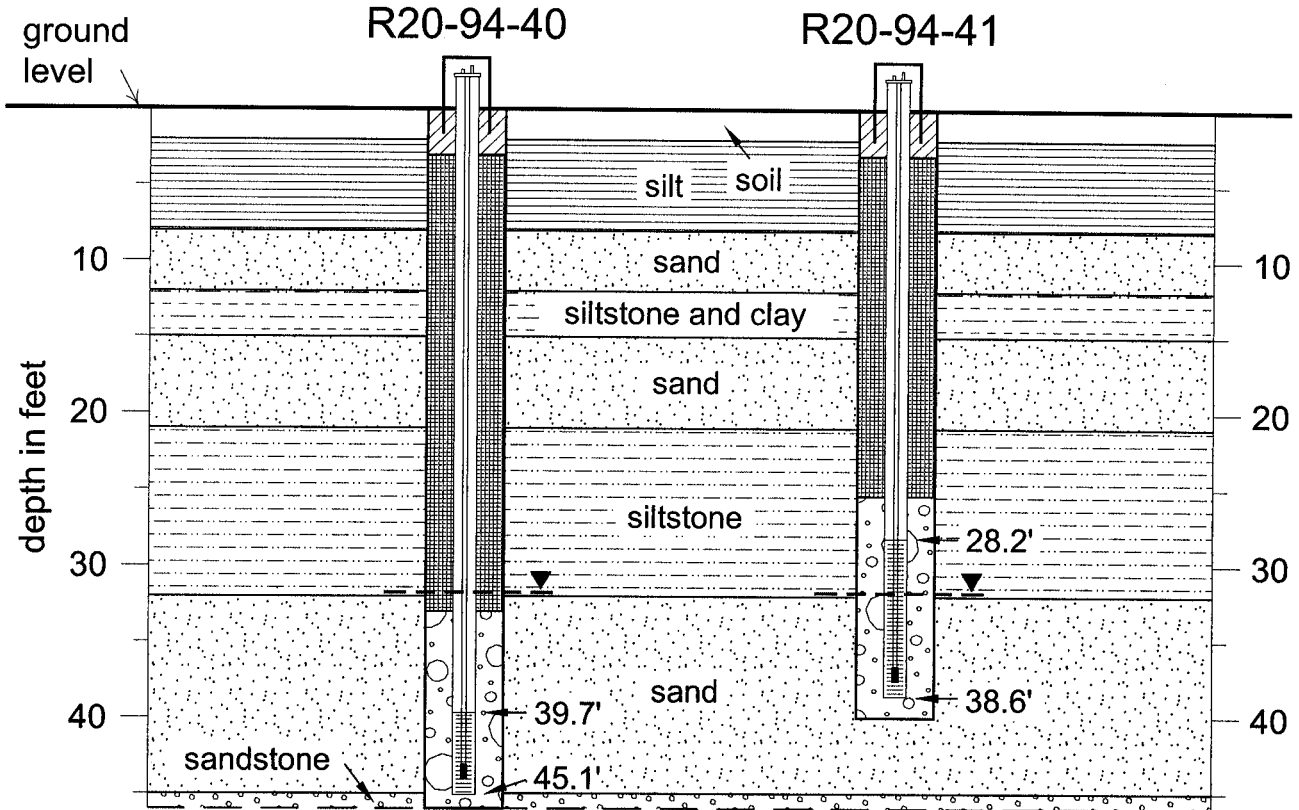
Native sediment (sand/gravel) and/or graded sand filter pack



Water level on May 8, 1995

Ogallala aquifer  
 NW NW NW NW sec. 29, T. 95 N., R. 76 W.  
 (west of Wewela, Tripp County)

W ← → E



Neat cement



Bentonite slurry

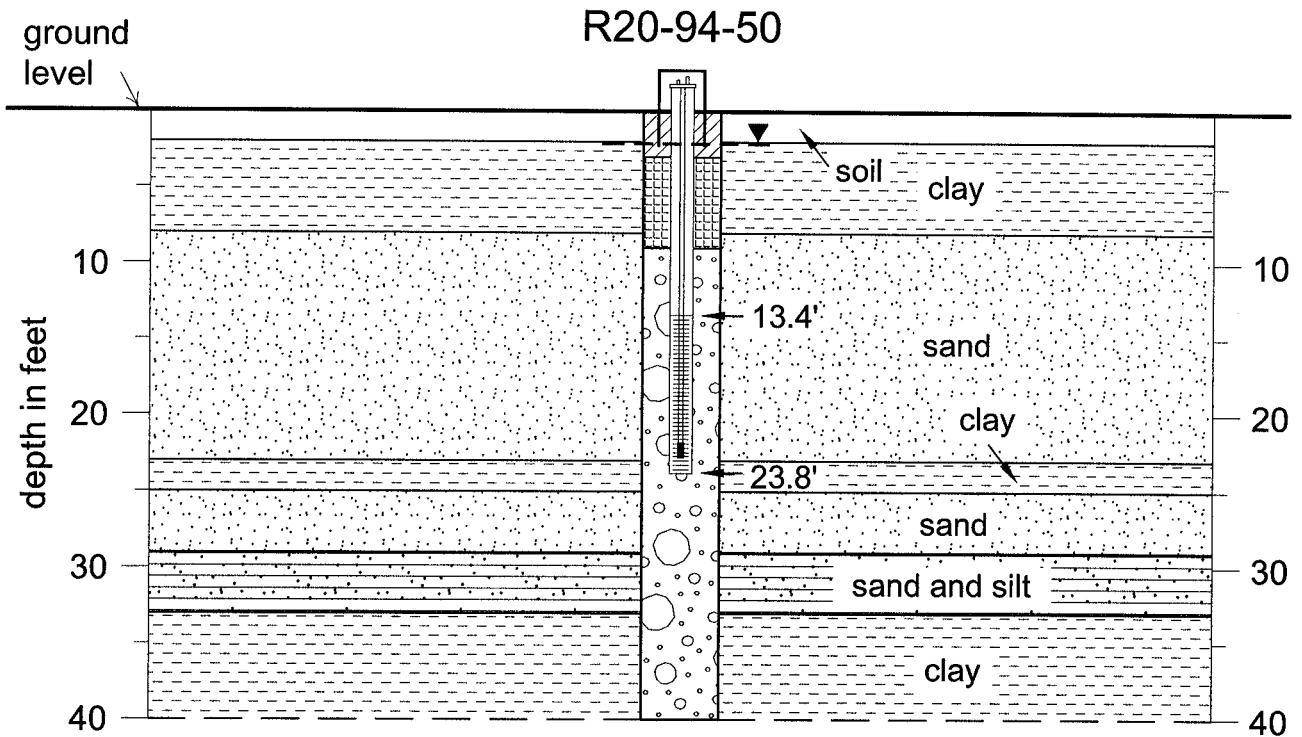



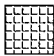


Native sediment (sand/gravel) and/or graded sand filter pack



Water level on May 16, 1995

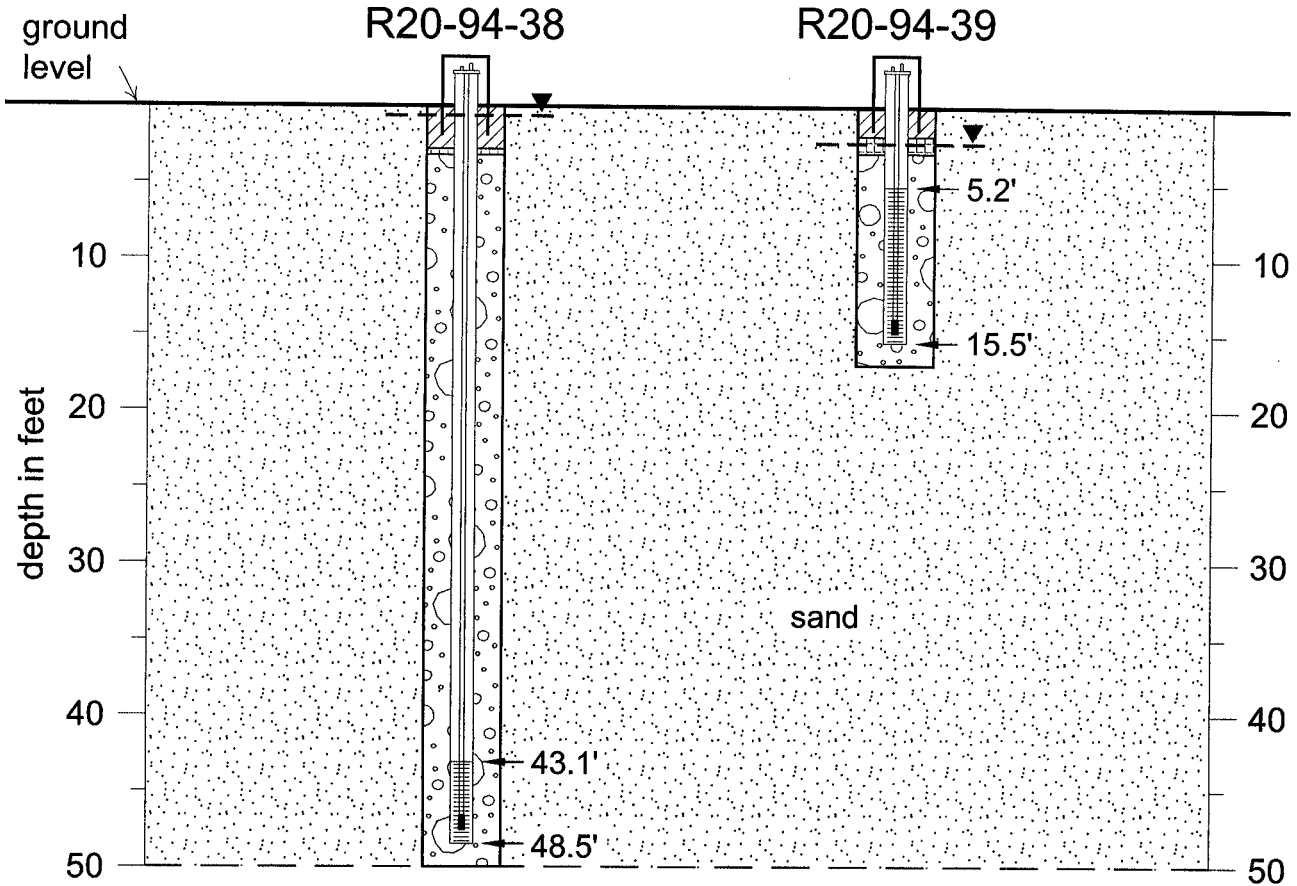
Ogallala aquifer  
 NW SW SW NW sec. 6, T. 96 N., R. 71 W.  
 (near Burke, Gregory County)



-  Neat cement
-  Granular bentonite
-  Native sediment (sand/gravel) and/or graded sand filter pack
-  Water level on May 17, 1995

Ogallala aquifer  
NW NW NW NW sec. 23, T. 97 N., R. 77 W.  
(south of Winner, Tripp County)

S ← → N



Neat cement



Granular bentonite



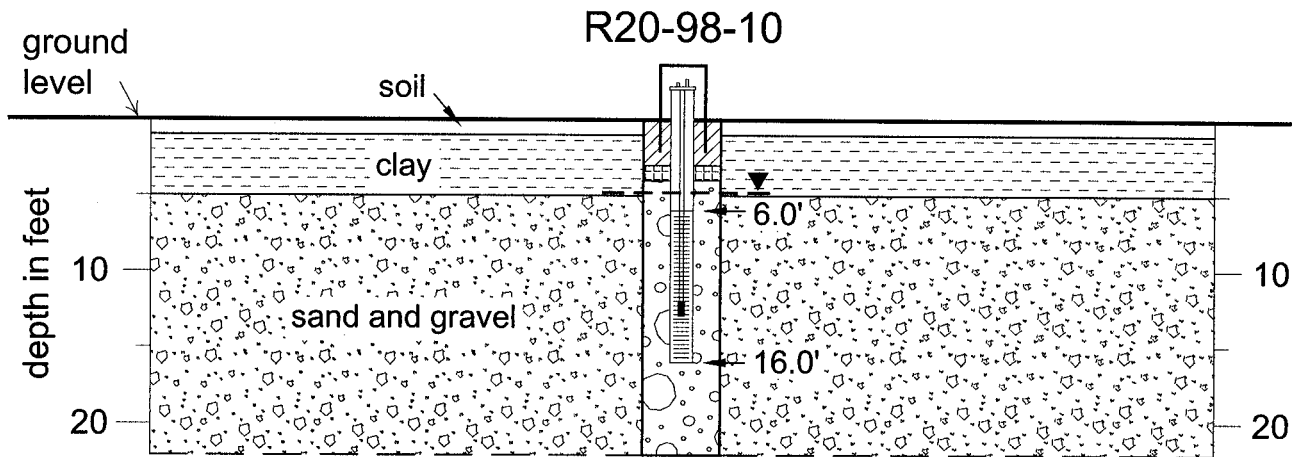
Native sediment (sand/gravel) and/or graded sand filter pack

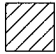
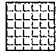




Water level on May 10, 1995



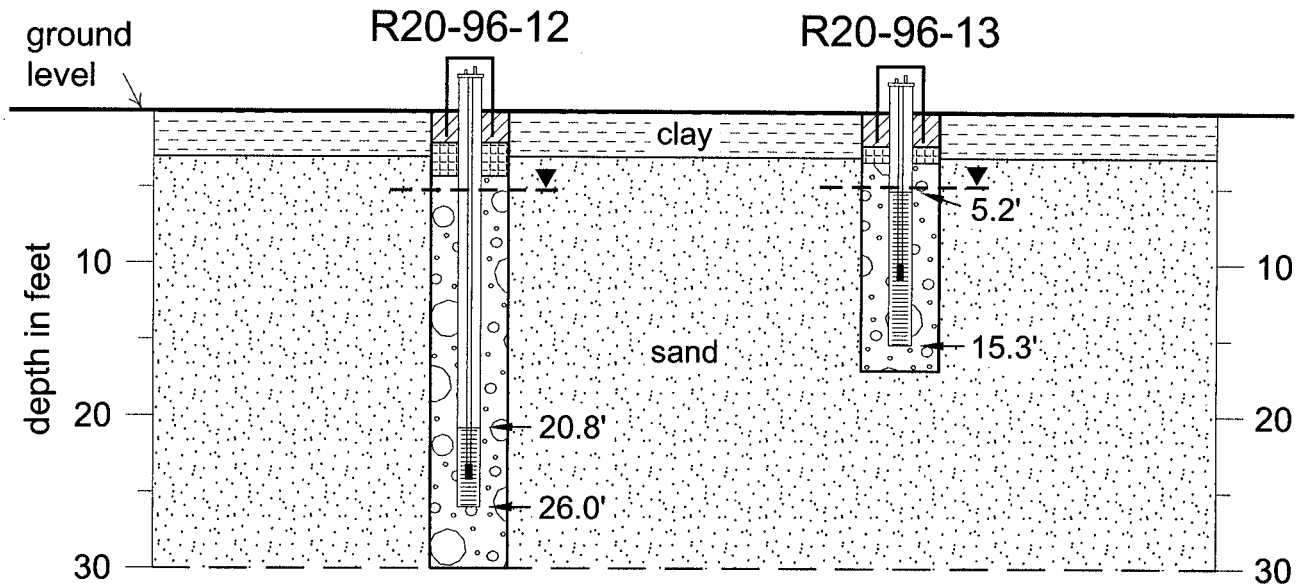
Okobojo Creek aquifer  
 NW NW NW NE sec. 26, T. 117 N., R. 74 W.  
 (southeast of Gettysburg, Potter County)



-  Neat cement
-  Granular bentonite
-  Native sediment (sand/gravel) and/or graded sand filter pack
-  Water level on August 12, 1998

Parker-Centerville aquifer  
 SW SW SW SW sec. 2, T. 95 N., R. 52 W.  
 (south of Centerville, Clay County)

W ← → E



Neat cement



Granular bentonite



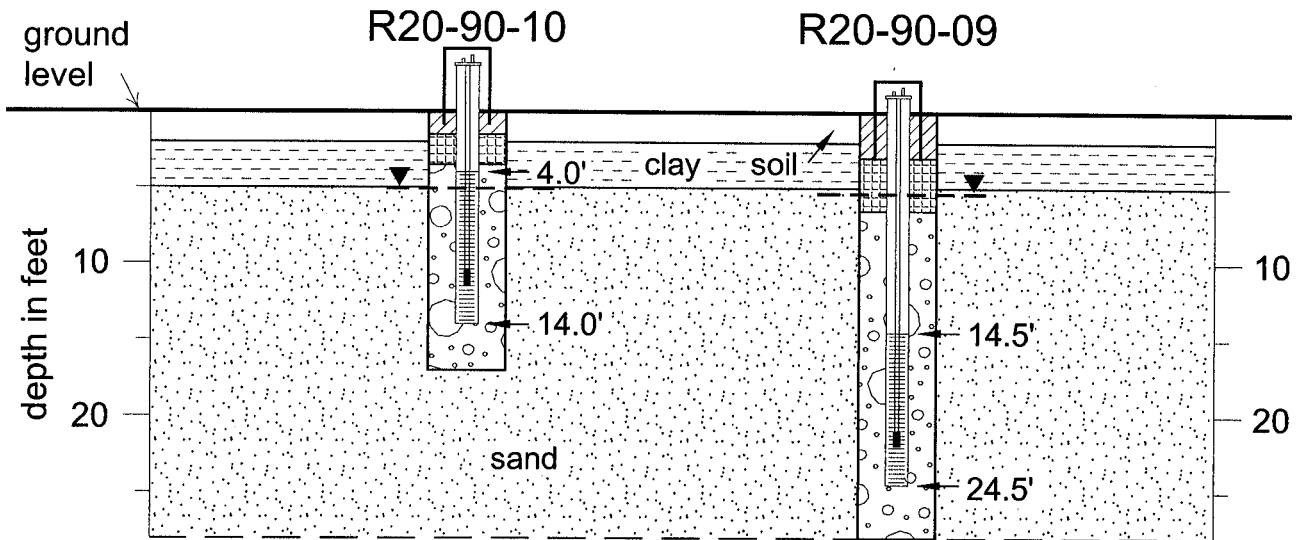
Native sediment (sand/gravel) and/or graded sand filter pack



Water level on August 19, 1996

Parker-Centerville aquifer  
NW NW NW NW sec. 24, T. 97 N., R. 52 W.  
(southeast of Davis, Turner County)

W ← → E



Neat cement



Granular bentonite

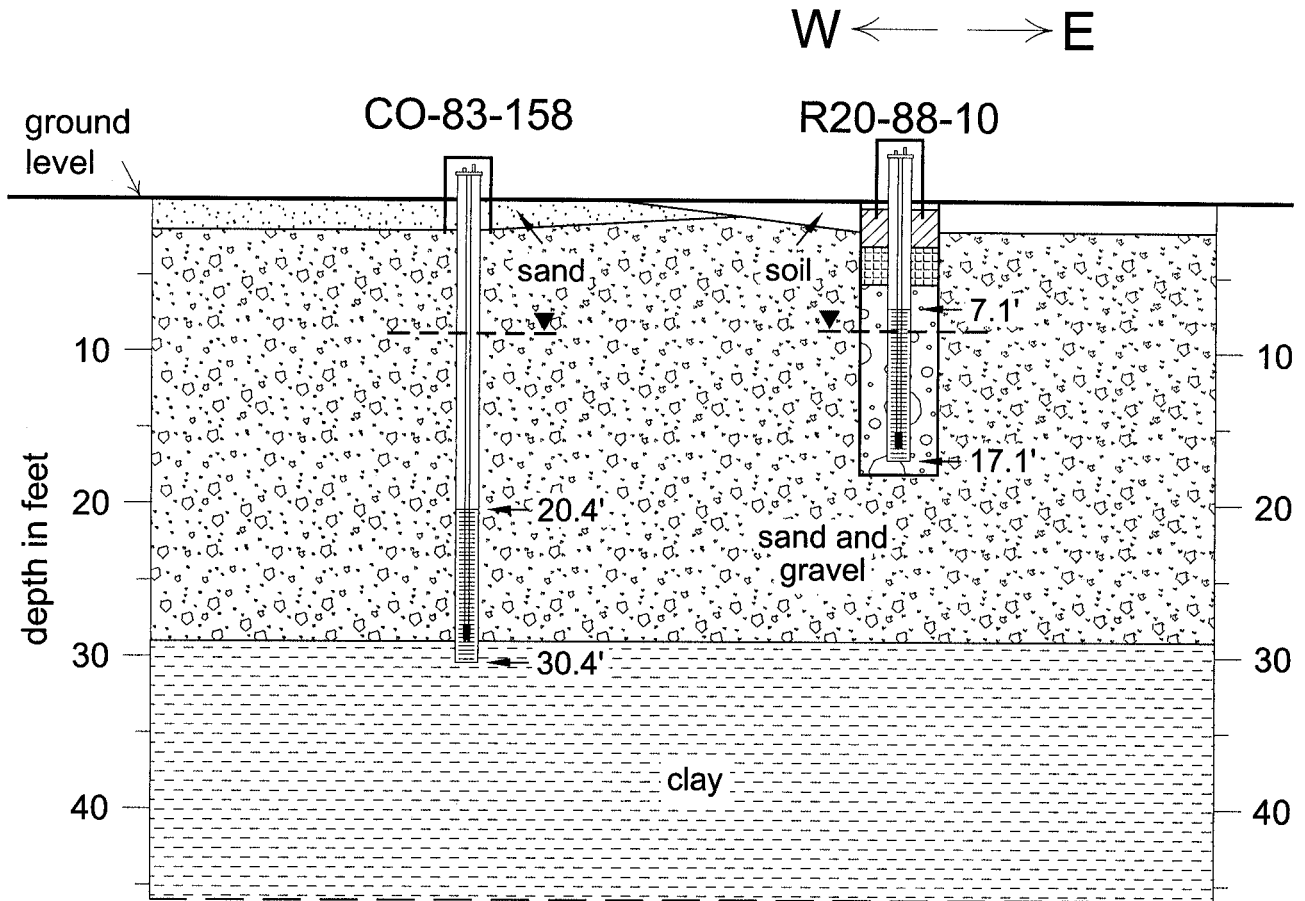






Native sediment (sand/gravel) and/or graded sand filter pack



Water level on September 8, 1994

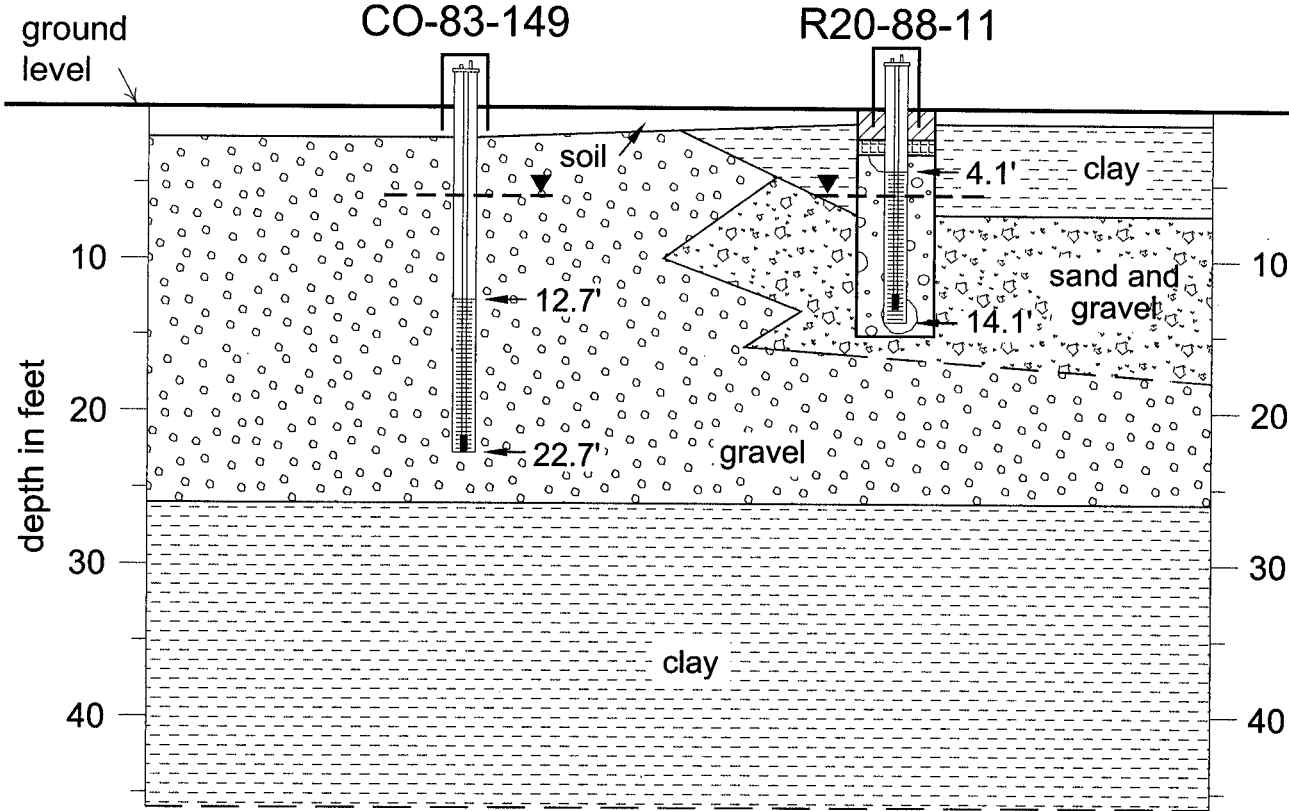
Parker-Centerville aquifer  
 SE SE SE SW sec. 18, T. 98 N., R. 52 W.  
 (near Hurley, Turner County)



-  Neat cement
-  Granular bentonite
-  Native sediment (sand/gravel) and/or graded sand filter pack
-  Water level on September 7, 1994

**Parker-Centerville aquifer**  
**NE NE NE NE sec. 29, T. 98 N., R. 52 W.**  
**(near Davis, Turner County)**

W ← → E



Neat cement



Granular bentonite



Native sediment (sand/gravel) and/or graded sand filter pack

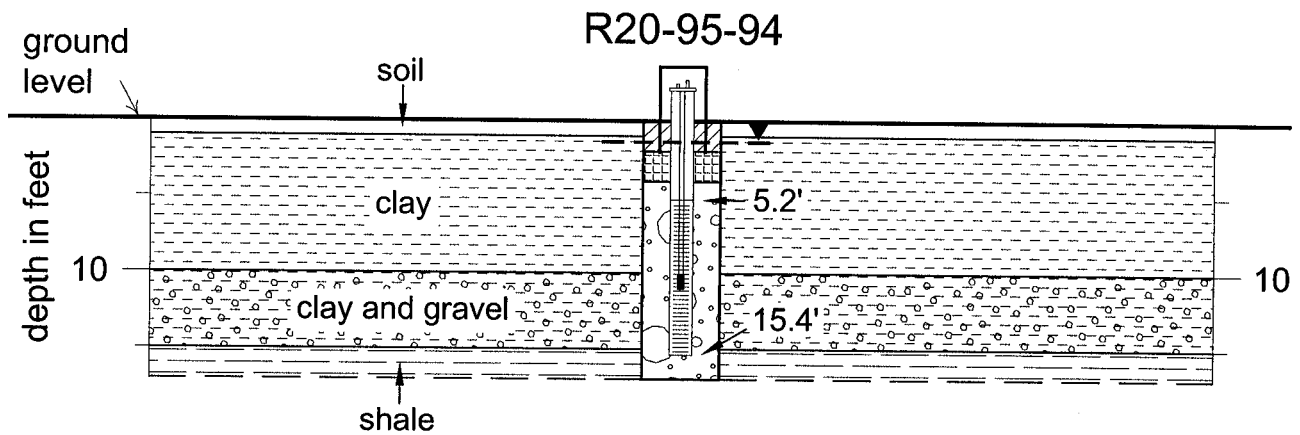


Water level on September 8, 1994

# Rapid Creek aquifer

## NW NE SW SE sec. 19, T. 1 N., R. 9 E.

### (upper Rapid Creek, Pennington County)



Neat cement



Granular bentonite



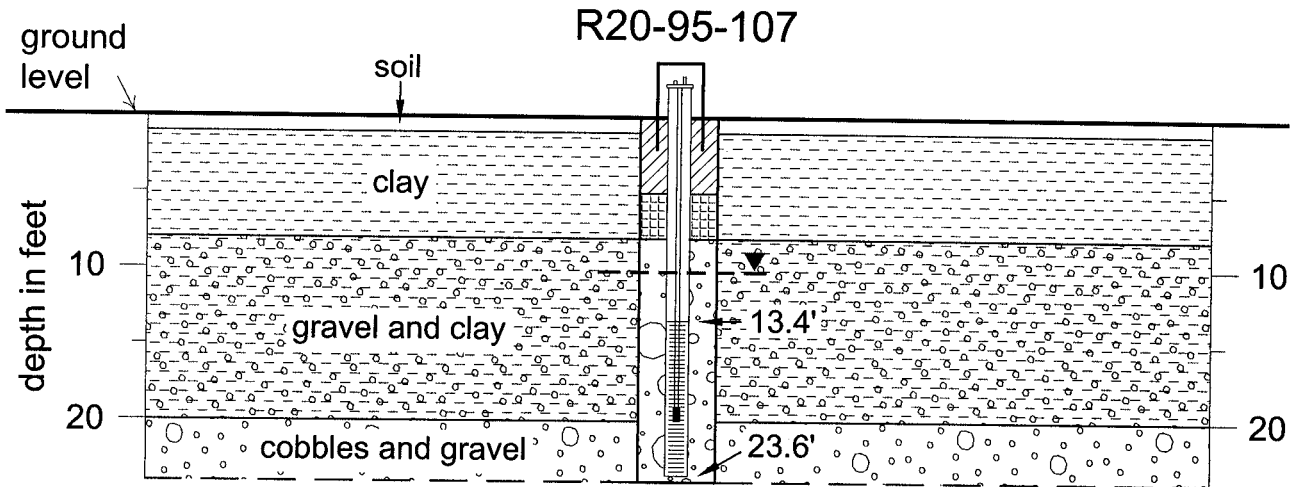
Native sediment (sand/gravel) and/or graded sand filter pack



Water level on February 15, 1996

# Rapid Creek aquifer

## NW NW NW NW sec. 30, T. 1 S., R. 11 E. (lower Rapid Creek, Pennington County)



Neat cement



Granular bentonite



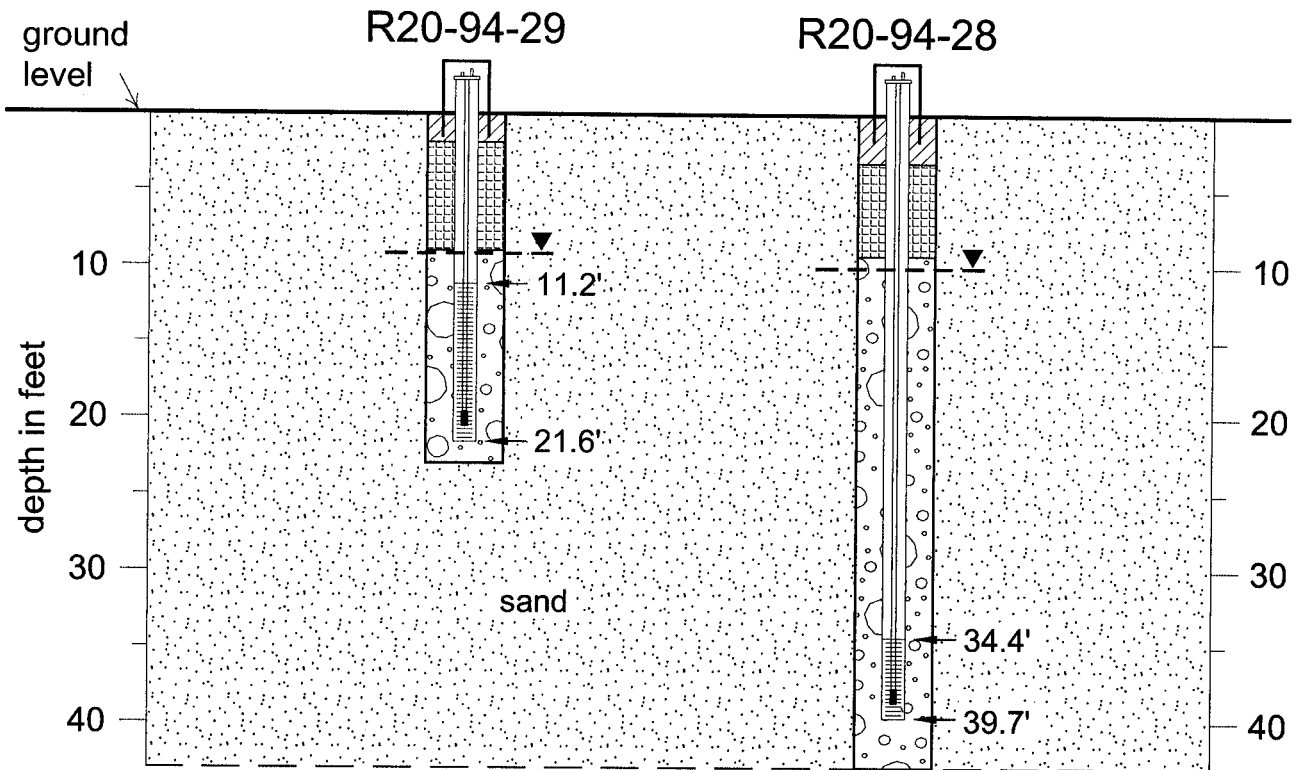
Native sediment (sand/gravel) and/or graded sand filter pack



Water level on February 15, 1996

Sand Hills aquifer  
 SW SE SE NW sec. 7, T. 35 N., R. 35 W.  
 (south of Tuthill, Bennett County)

S ← → N



Neat cement



Granular bentonite



Native sediment (sand/gravel) and/or graded sand filter pack

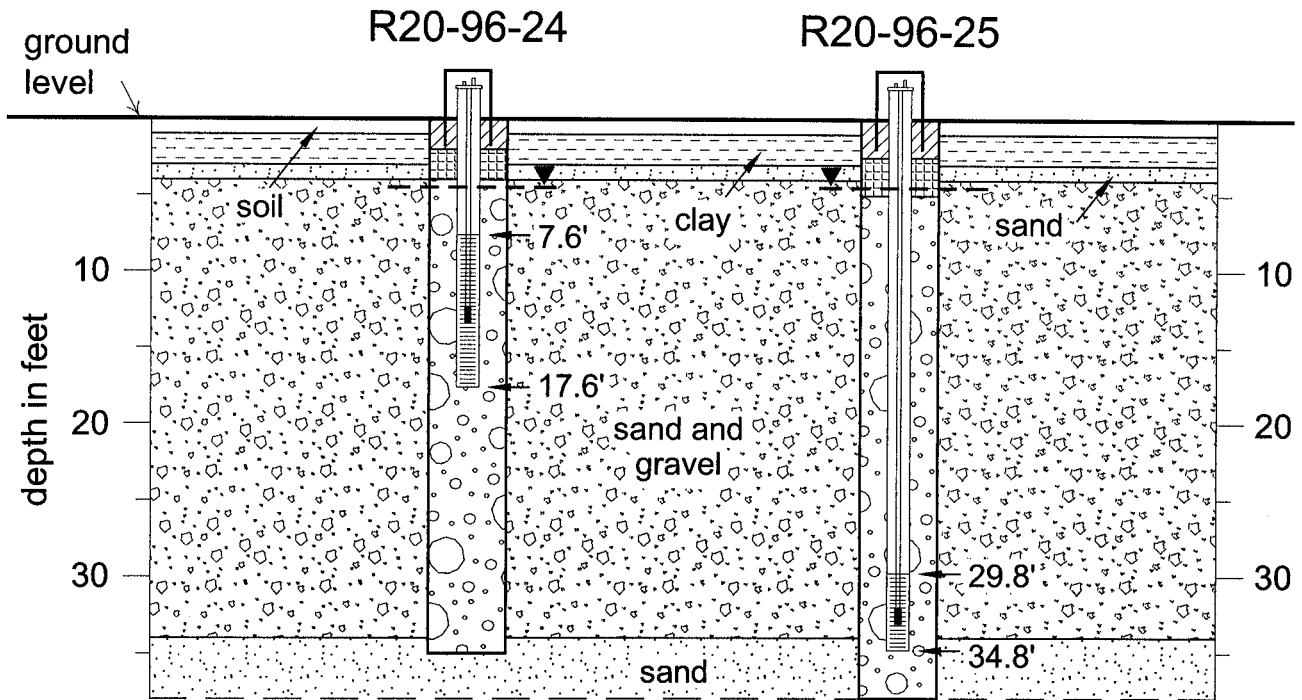



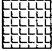


Water level on May 17, 1995



**Selby aquifer**  
**SW NW SW NW sec. 9, T. 124 N., R. 76 W.**  
**(east of Selby, Walworth County)**

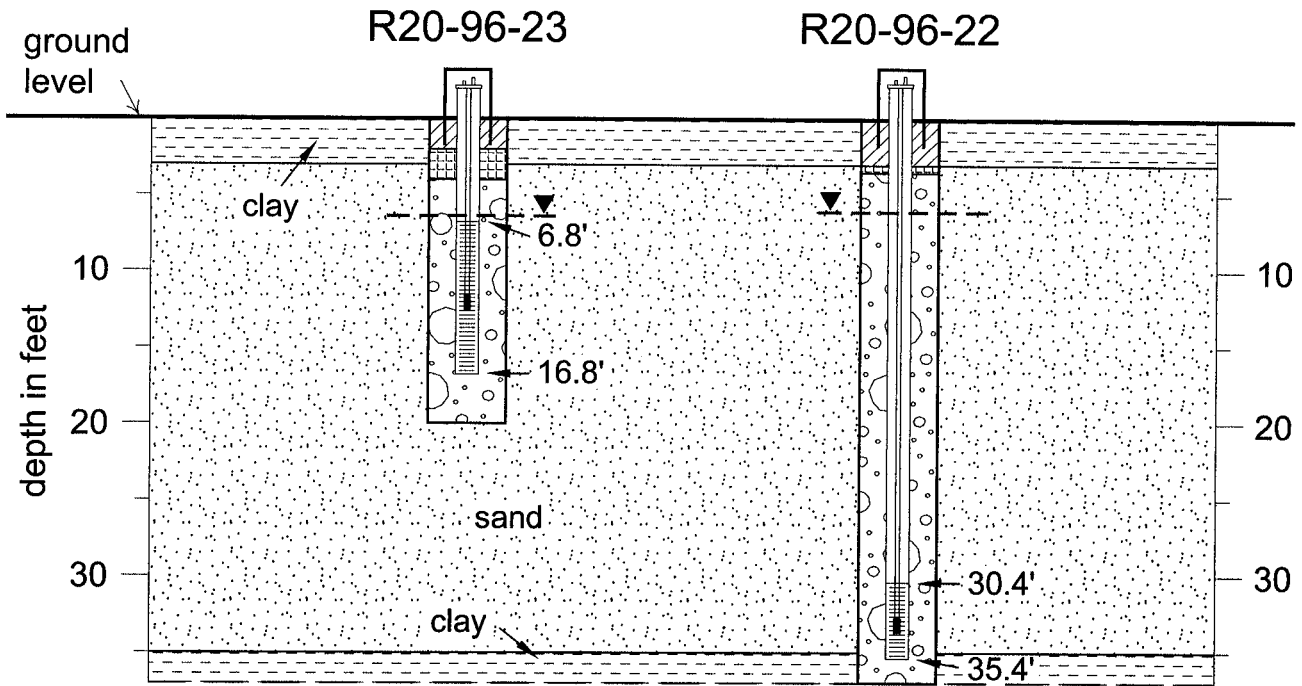
S ←      → N



-  Neat cement
-  Granular bentonite
-  Native sediment (sand/gravel) and/or graded sand filter pack
-  Water level on August 20, 1996

**Selby aquifer**  
**SW SE SE SE sec. 16, T. 126 N., R. 76 W.**  
**(east of Mound City, Campbell County)**

W ←      → E



Neat cement



Granular bentonite



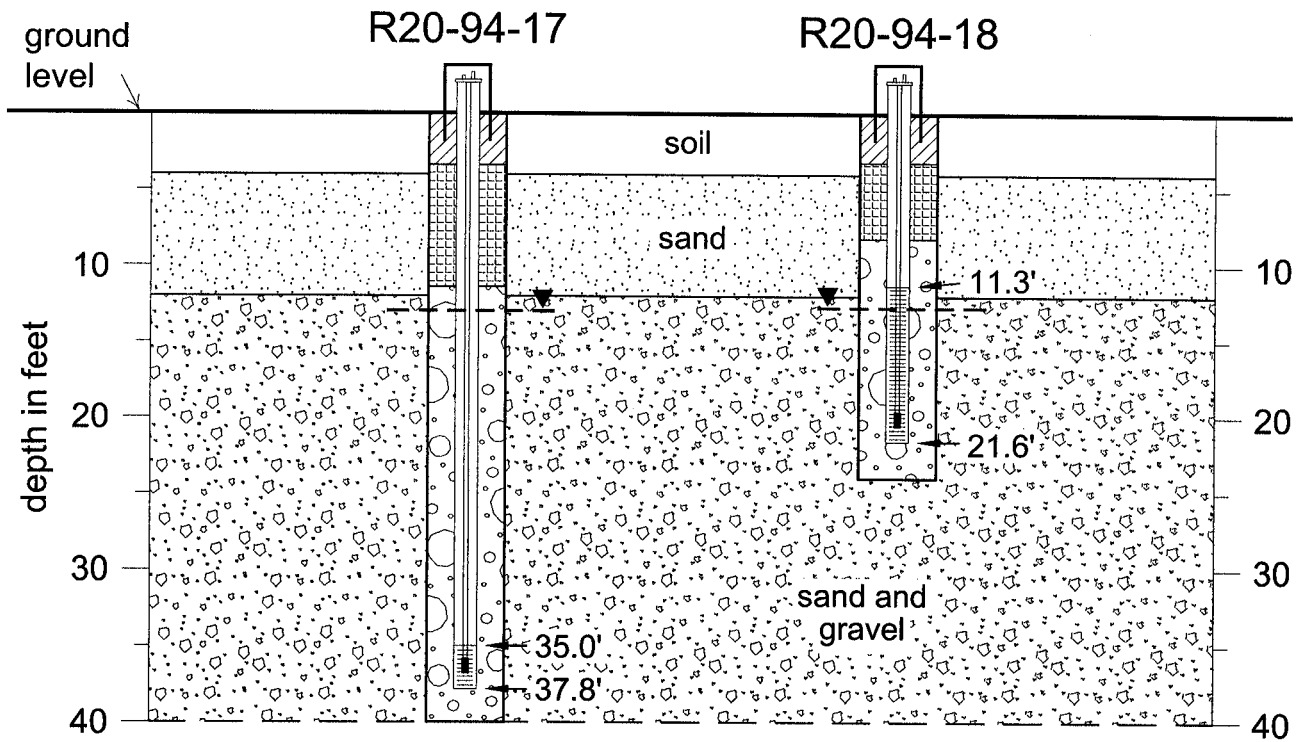
Native sediment (sand/gravel) and/or graded sand filter pack



Water level on August 20, 1996

**Skunk Creek aquifer**  
**NW NW NE NE sec. 18, T. 101 N., R. 50 W.**  
**(west of Sioux Falls, Minnehaha County)**

W ← → E



Neat cement



Granular bentonite



Native sediment (sand/gravel) and/or graded sand filter pack



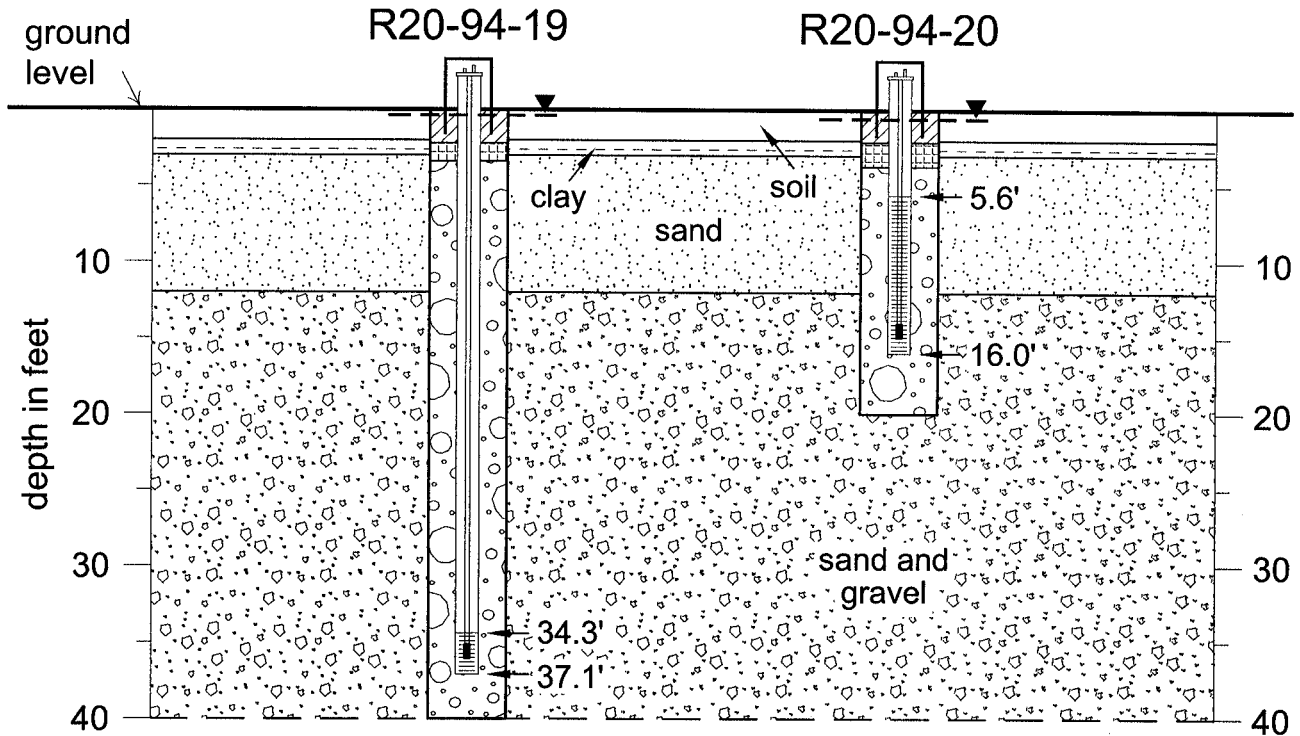
Water level on April 25, 1995

# Skunk Creek aquifer

## SE SE SW NE sec. 25, T. 103 N., R. 51 W.

### (northwest of Sioux Falls, Minnehaha County)

W ← → E



Neat cement



Granular bentonite



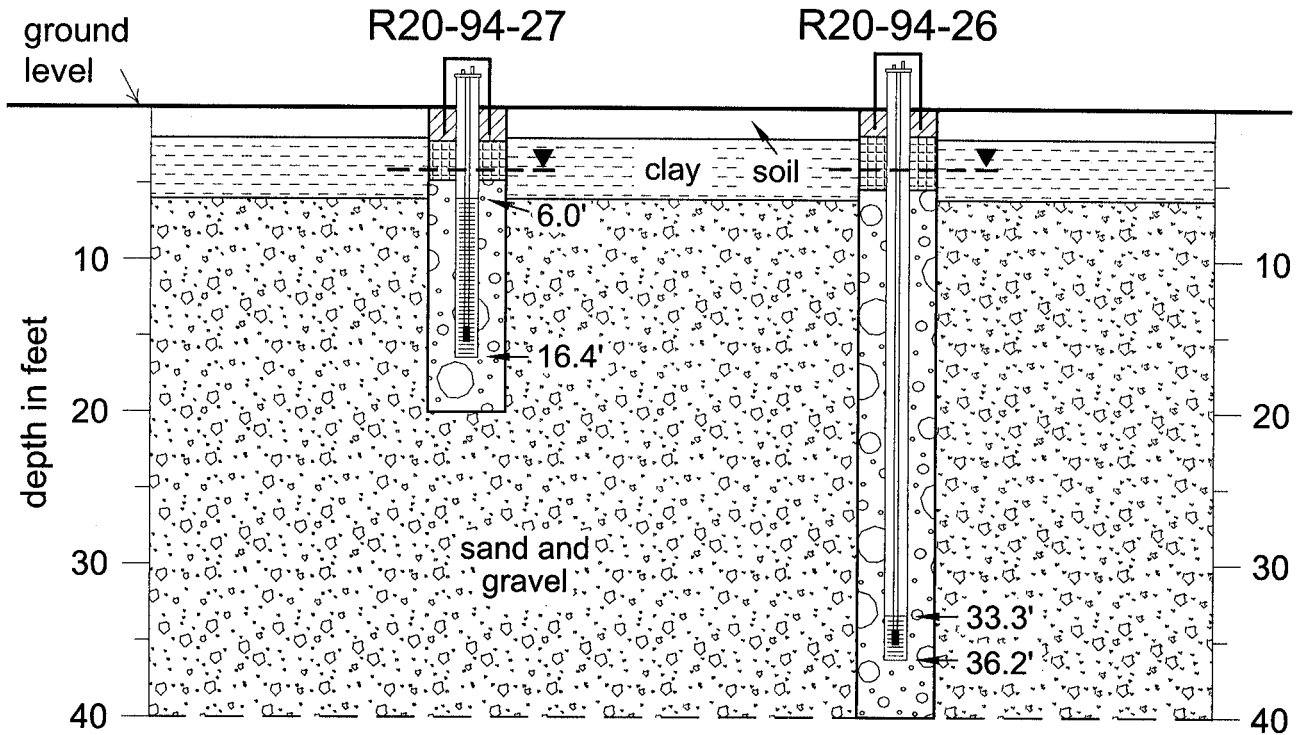
Native sediment (sand/gravel) and/or graded sand filter pack



Water level on April 25, 1995

Skunk Creek aquifer  
NE NE NE SE sec. 23, T. 105 N., R. 51 W.  
(near Chester, Lake County)

S ← → N



Neat cement



Granular bentonite



Native sediment (sand/gravel) and/or graded sand filter pack

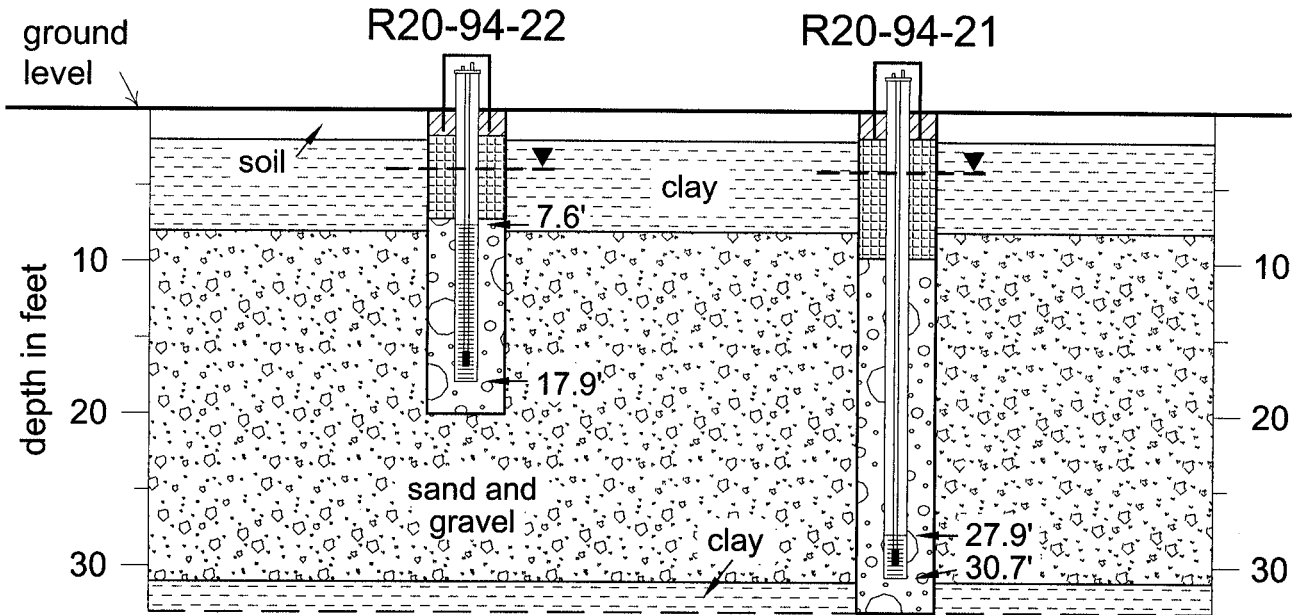


Water level on April 25, 1995

# Skunk Creek aquifer

NE NE NE SE sec. 8, T. 106 N., R. 52 W.  
(near Madison, Lake County)

W ←      → E



Neat cement



Granular bentonite

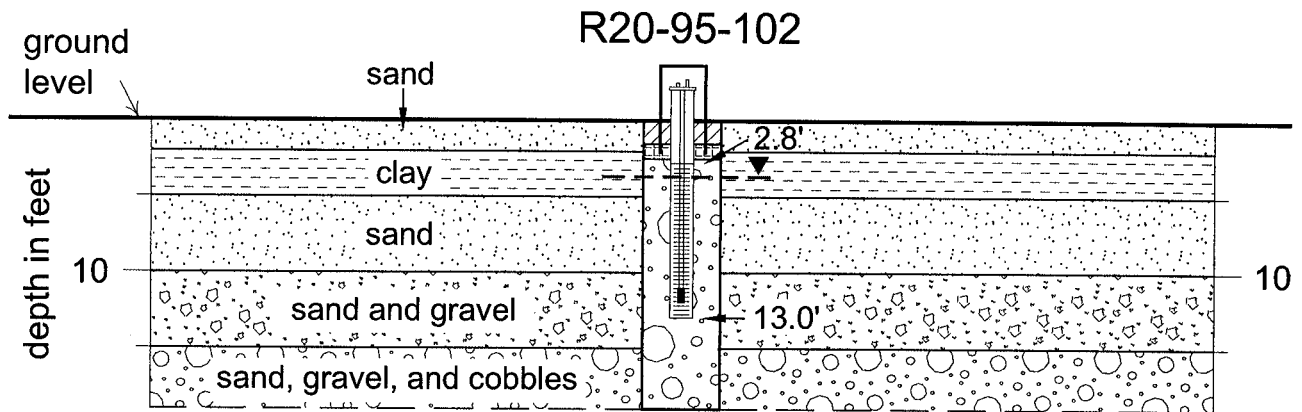






Native sediment (sand/gravel) and/or graded sand filter pack



Water level on April 25, 1995

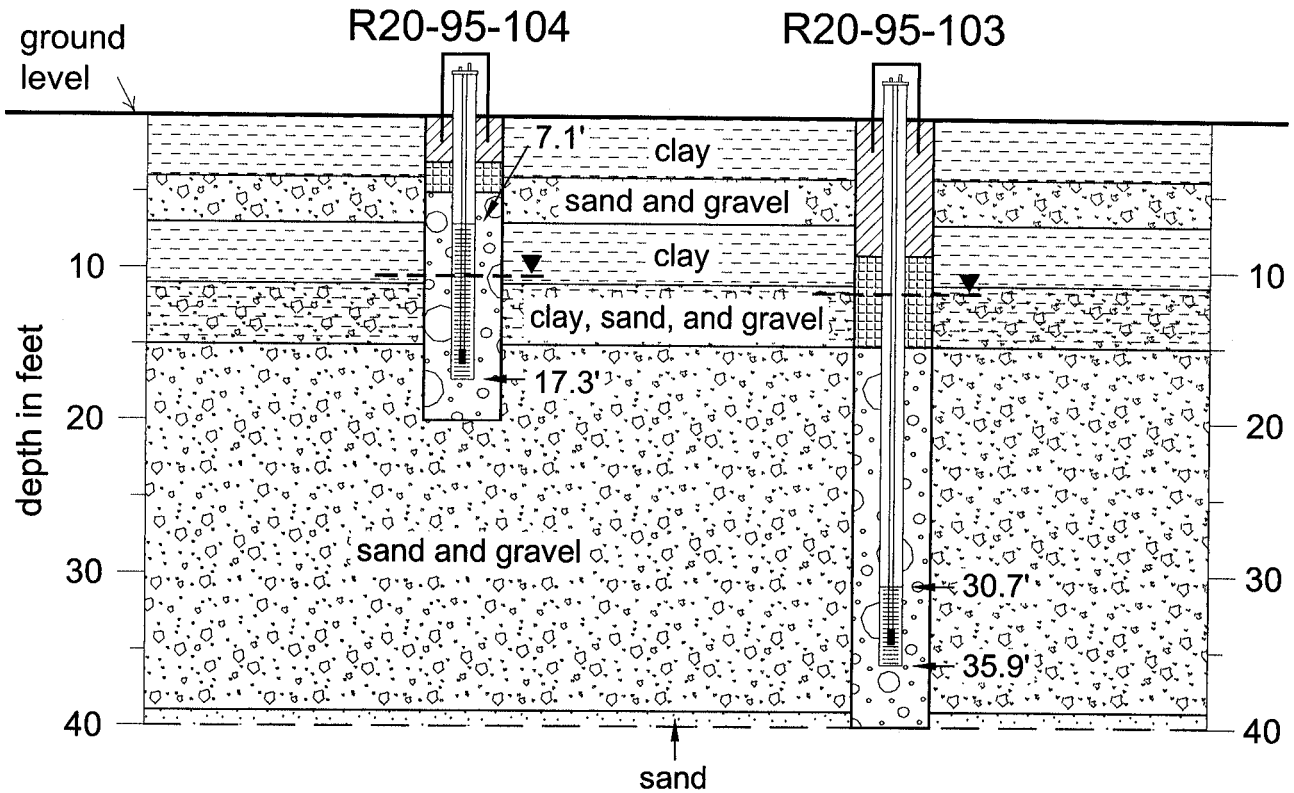
Spearfish Creek aquifer  
 SW NE NW NW sec. 9, T. 7 N., R. 2 E.  
 (lower Spearfish Creek, Lawrence County)



-  Neat cement
-  Granular bentonite
-  Native sediment (sand/gravel) and/or graded sand filter pack
-  --▼-- Water level on November 8, 1995

**Spearfish Creek aquifer**  
**NE NE SE SE sec. 33, T. 7 N., R. 2 E.**  
**(upper Spearfish Creek, Lawrence County)**

W ← → E



Neat cement



Granular bentonite



Native sediment (sand/gravel) and/or graded sand filter pack

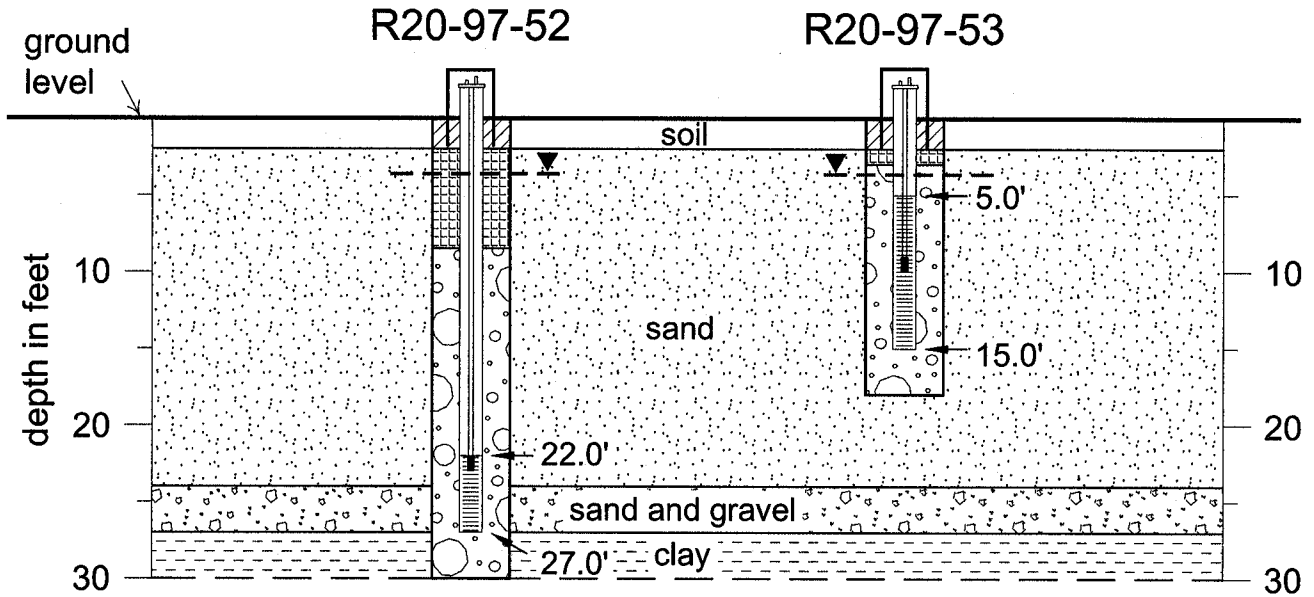



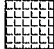


Water level on November 10 and 11, 1995



Spring Creek aquifer  
 NE SE SE SE sec. 5, T. 127 N., R. 70 W.  
 (west of Long Lake, McPherson County)

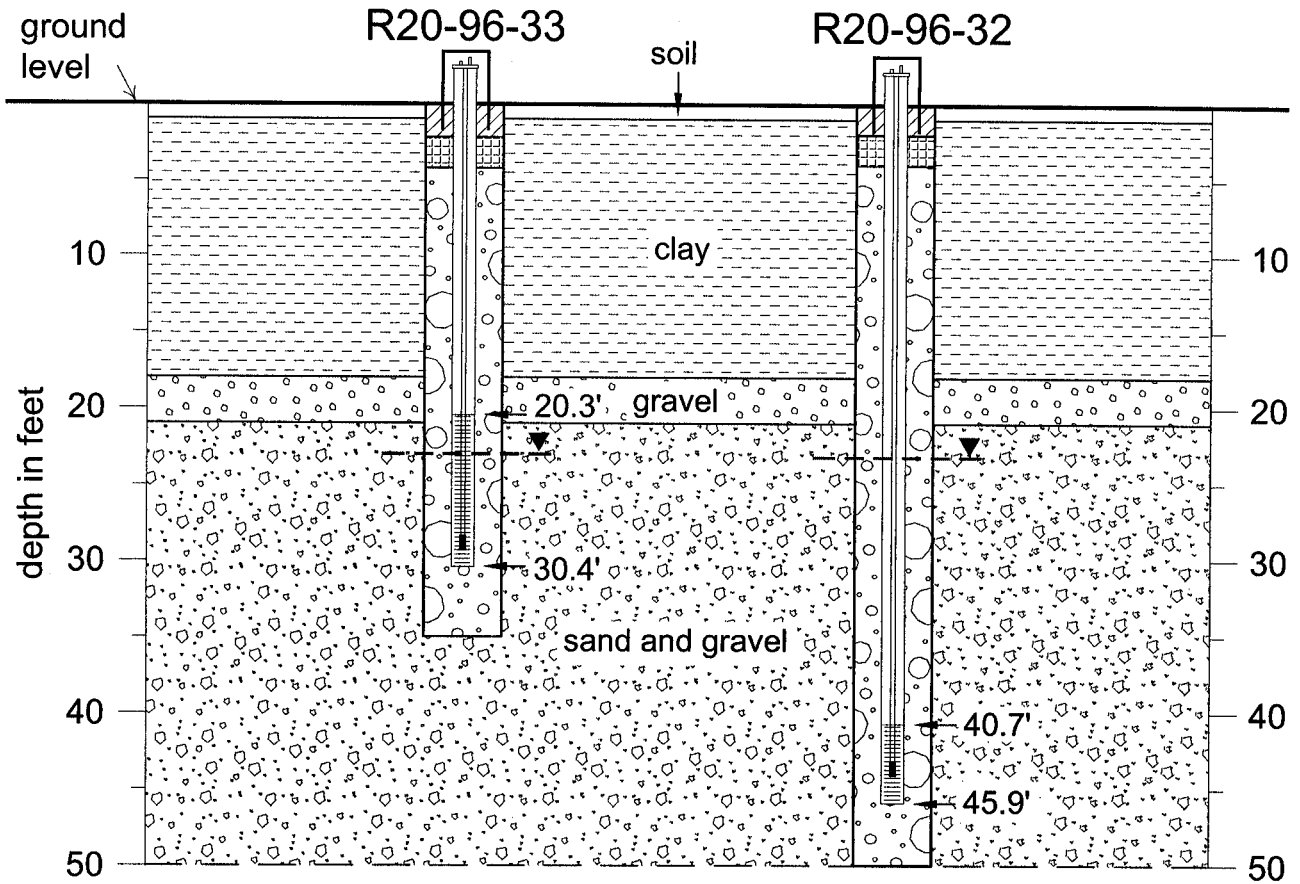
S ←      → N



-  Neat cement
-  Granular bentonite
-  Native sediment (sand/gravel) and/or graded sand filter pack
-  Water level on August 9, 1999

Tulare aquifer  
 SE SE SE SE sec. 15, T. 114 N., R. 62 W.  
 (east of Spink County dam, Spink County)

W ← → E



Neat cement



Granular bentonite



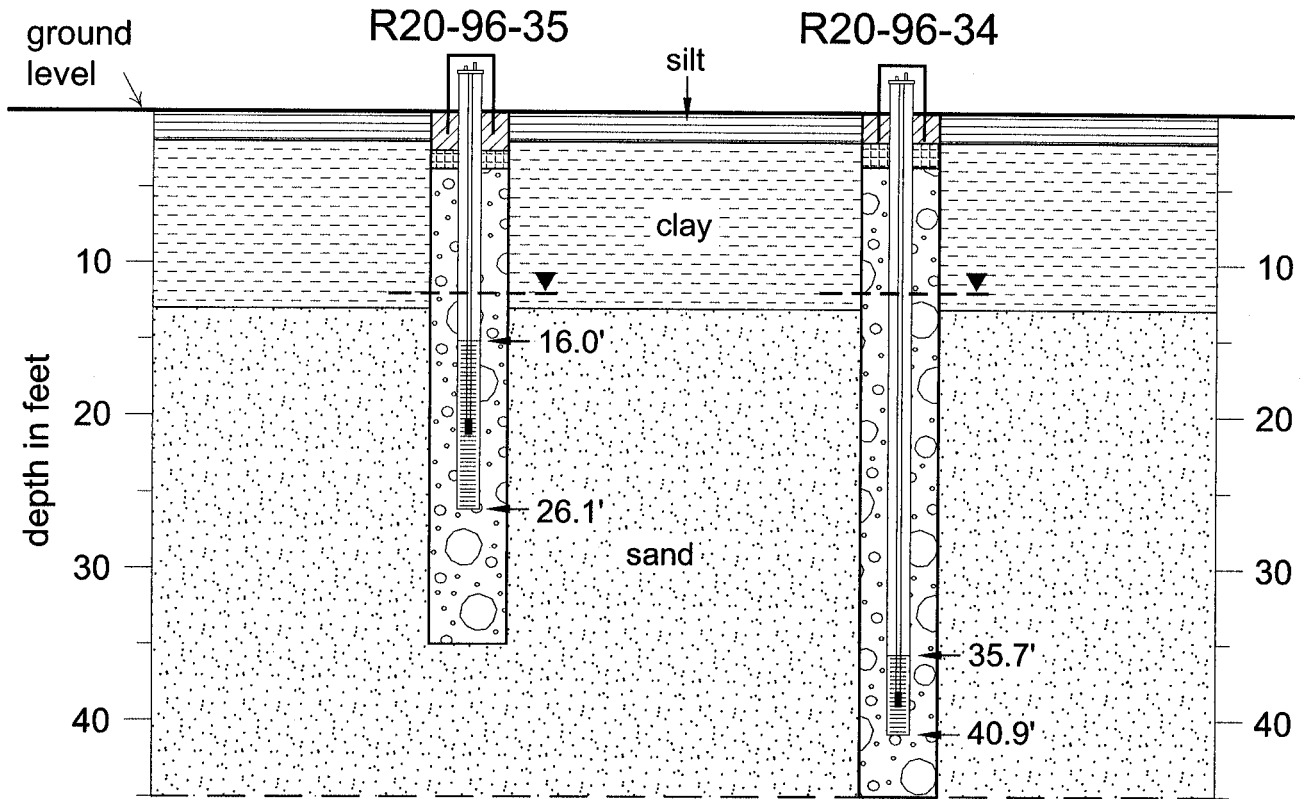
Native sediment (sand/gravel) and/or graded sand filter pack







Water level on August 19, 1996

Tulare aquifer  
 NE NE NE NE sec. 23, T. 114 N., R. 63 W.  
 (north of Hitchcock, Spink County)

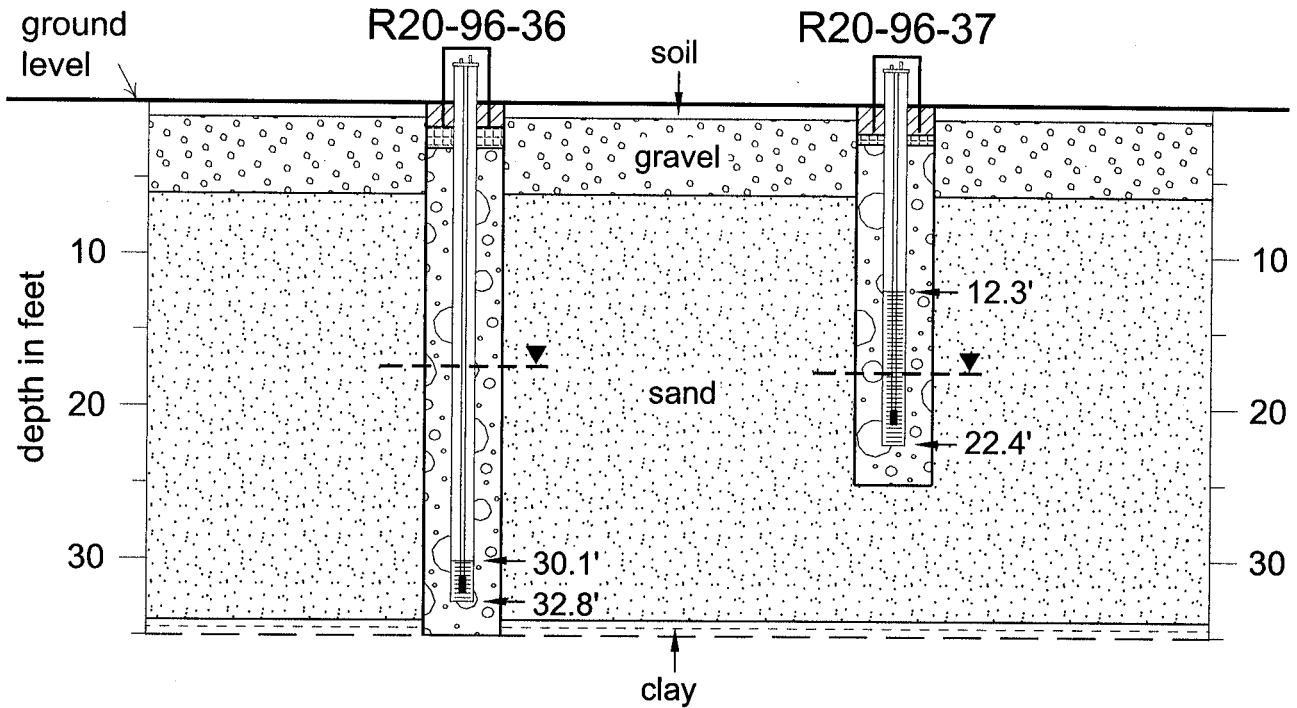
S ← → N


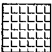




-  Neat cement
-  Granular bentonite
-  Native sediment (sand/gravel) and/or graded sand filter pack
-  Water level on August 19, 1996

Tulare aquifer  
 SW SW SW SW sec. 23, T. 115 N., R. 63 W.  
 (east of Tulare, Spink County)

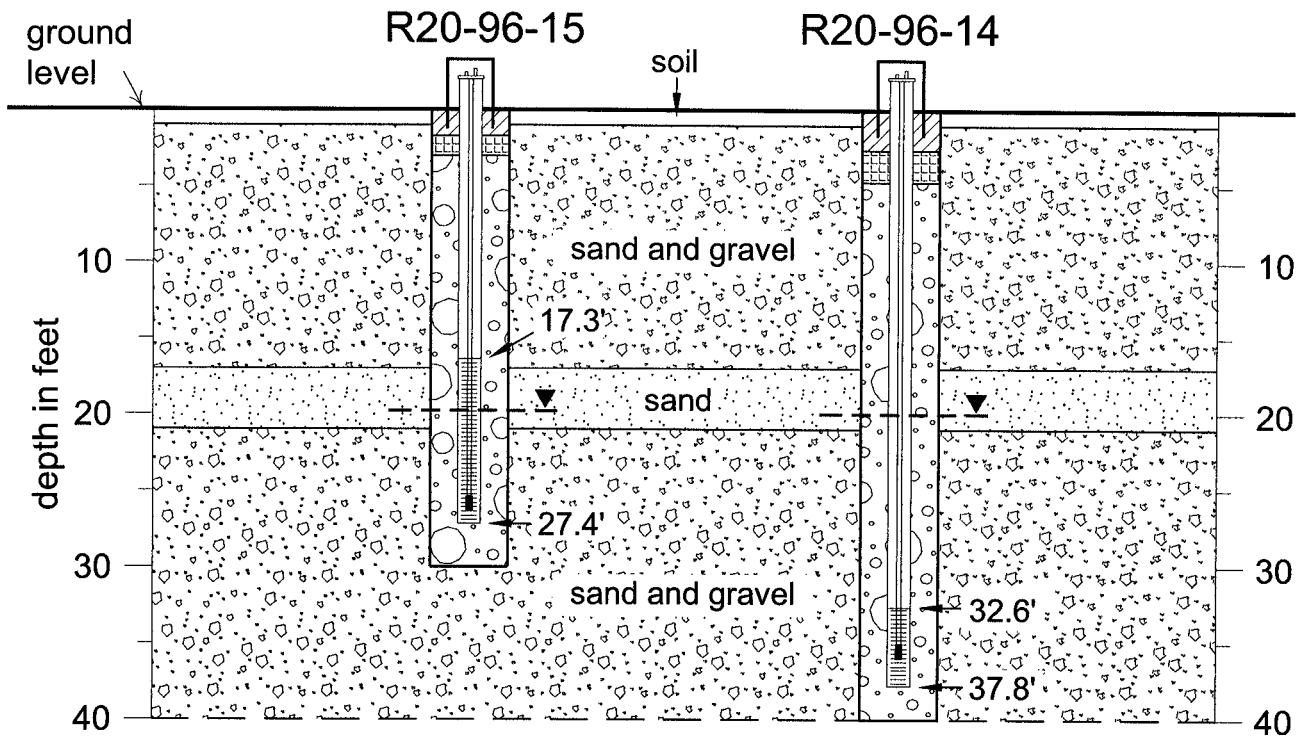
S ← → N



-  Neat cement
-  Granular bentonite
-  Native sediment (sand/gravel) and/or graded sand filter pack
-  Water level on August 19, 1996

Vermillion-East-Fork aquifer  
 SE SE NE SE sec. 6, T. 111 N., R. 56 W.  
 (north of De Smet, Kingsbury County)

S ← → N



Neat cement



Granular bentonite

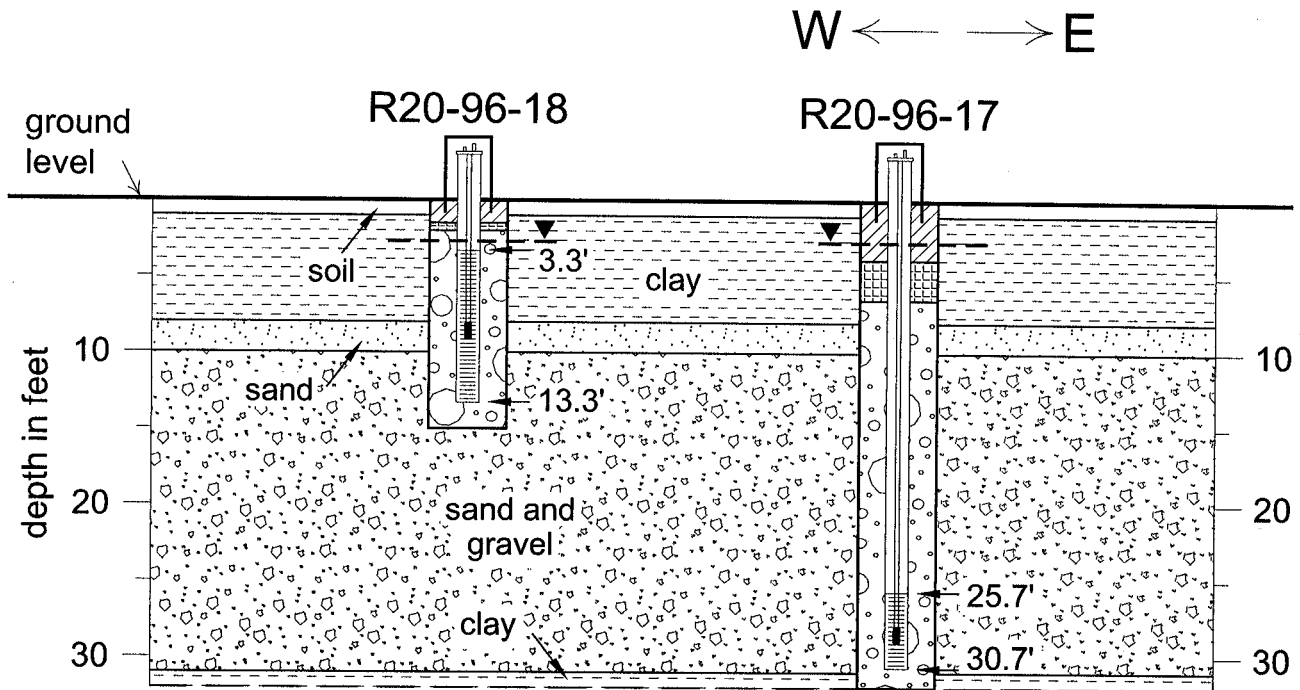



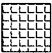


Native sediment (sand/gravel) and/or graded sand filter pack



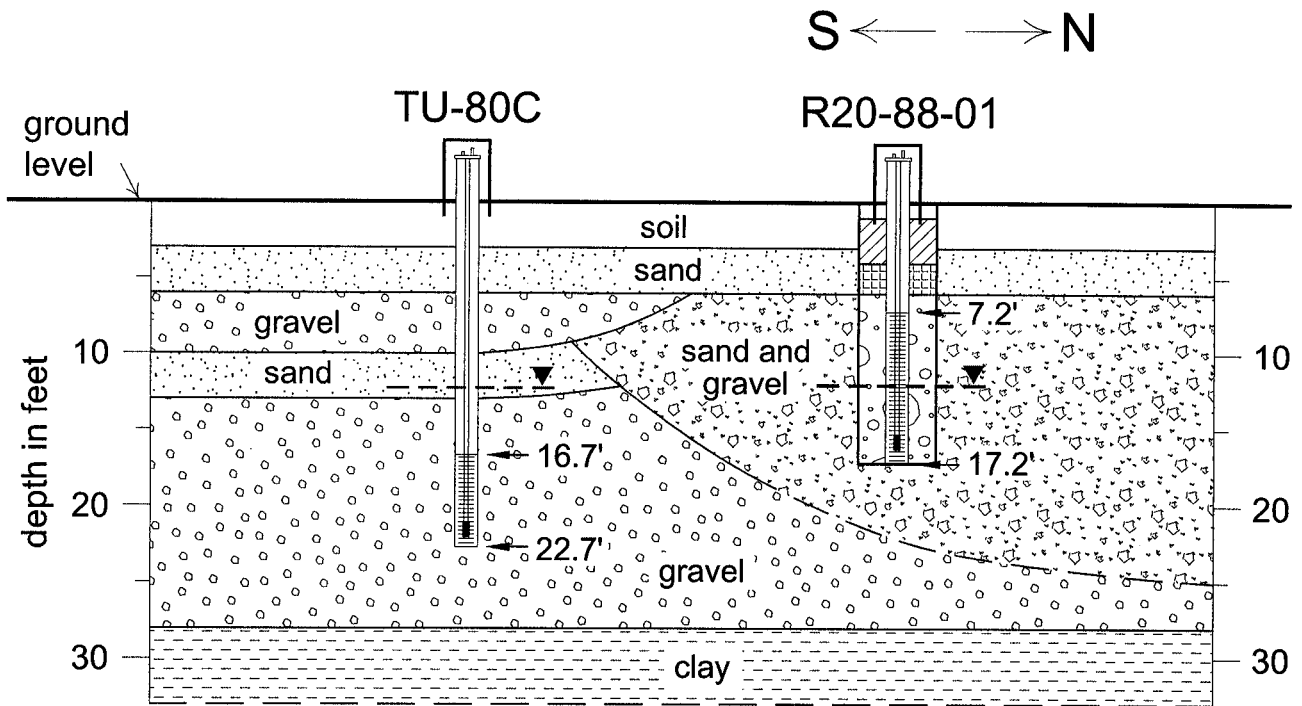
Water level on August 19, 1996

Vermillion-East-Fork aquifer  
 SE SW SE SW sec. 7, T. 115 N., R. 57 W.  
 (south of Clark, Clark County)



-  Neat cement
-  Granular bentonite
-  Native sediment (sand/gravel) and/or graded sand filter pack
-  Water level on August 19, 1996

Vermillion-West-Fork aquifer  
 SW NW SW NW sec. 15, T. 99 N., R. 53 W.  
 (near Parker, Turner County)



Neat cement



Granular bentonite



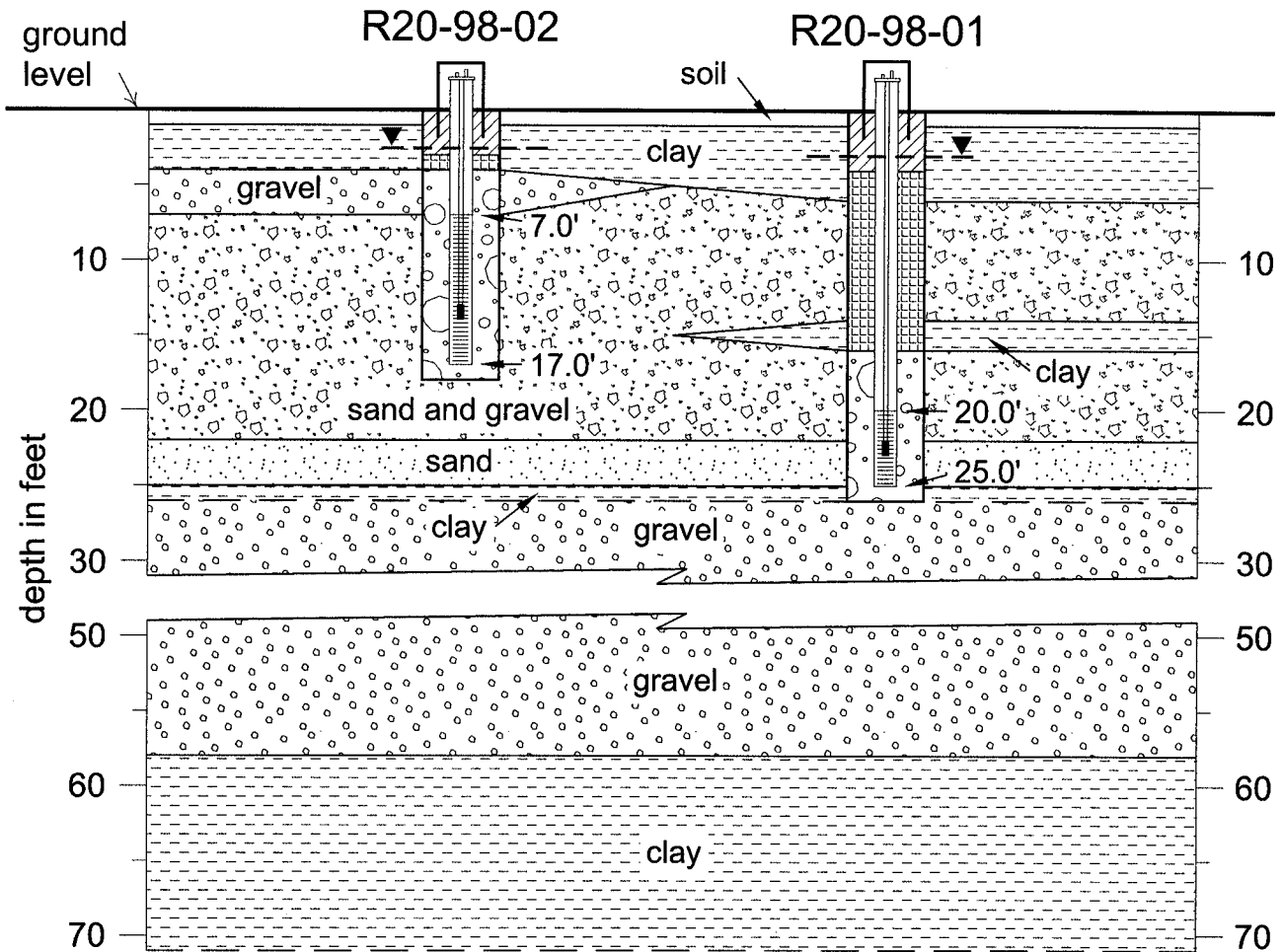
Native sediment (sand/gravel) and/or graded sand filter pack



Water level on September 7, 1994

Vermillion-West-Fork aquifer  
 SE SW SW SW sec. 29, T. 101 N., R. 54 W.  
 (southwest of Canistota, McCook County)

W ← → E



Neat cement



Granular bentonite



Native sediment (sand/gravel) and/or graded sand filter pack



Water level on August 12, 1998