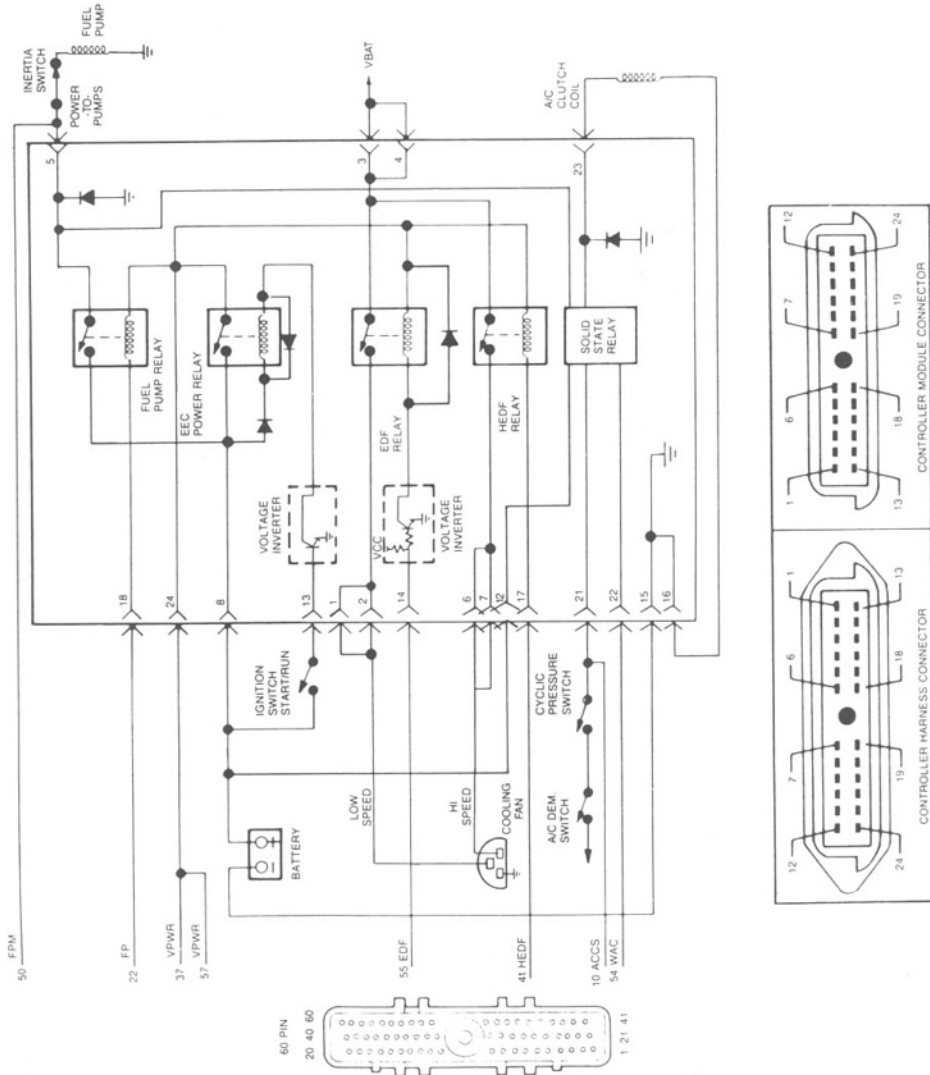


**3.0L
MAP**
(VIN Code U)*

**1988–1990
Taurus, Sable
Integrated Relay Control Module**

VIN: 1 2 3 4 5 6 7 8 ... 17
Engine code

A13652.A



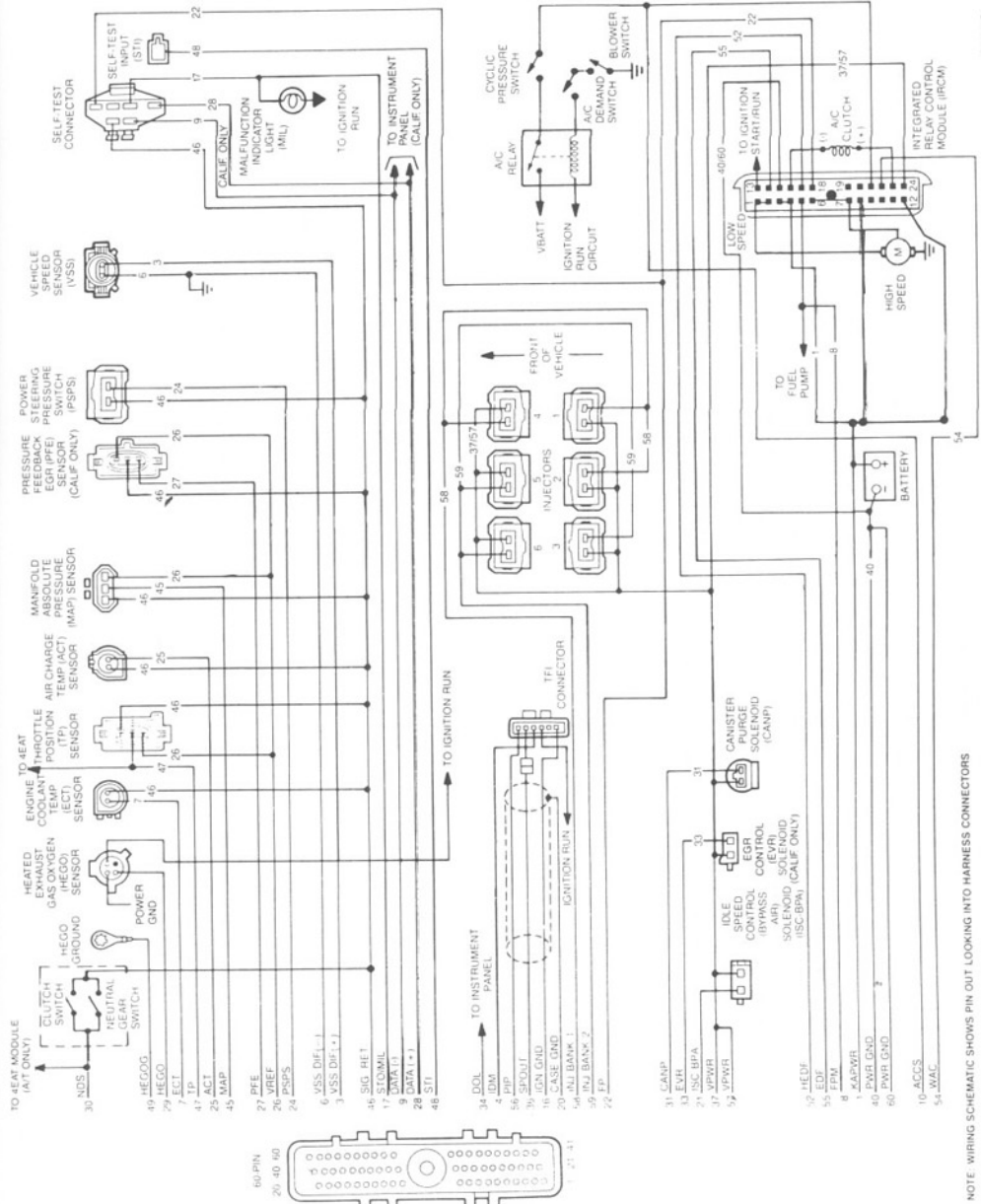
1990-1991
Probe V-6

3.0L
MAP
(VIN Code U)*

VIN:

1	2	3	4	5	6	7	8	...	17
□	□	□	□	□	□	□	□	...	□

Engine code



*See MECS for 4-cyl. Probe

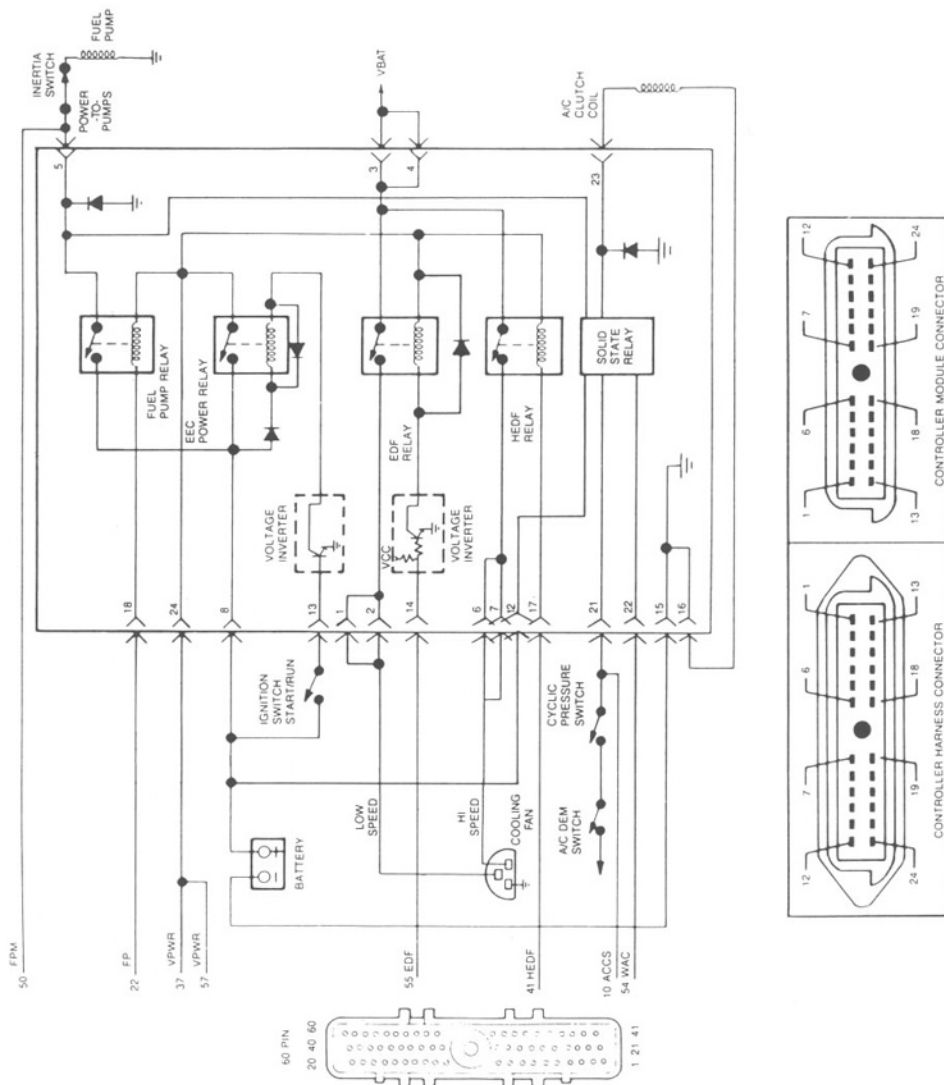
3.0L MAP

**3.0L
MAP**
(VIN Code U)*

**1990
Probe V-6
Integrated Relay Control Module**

VIN: 1 2 3 4 5 6 7 8 ... 17
Engine code

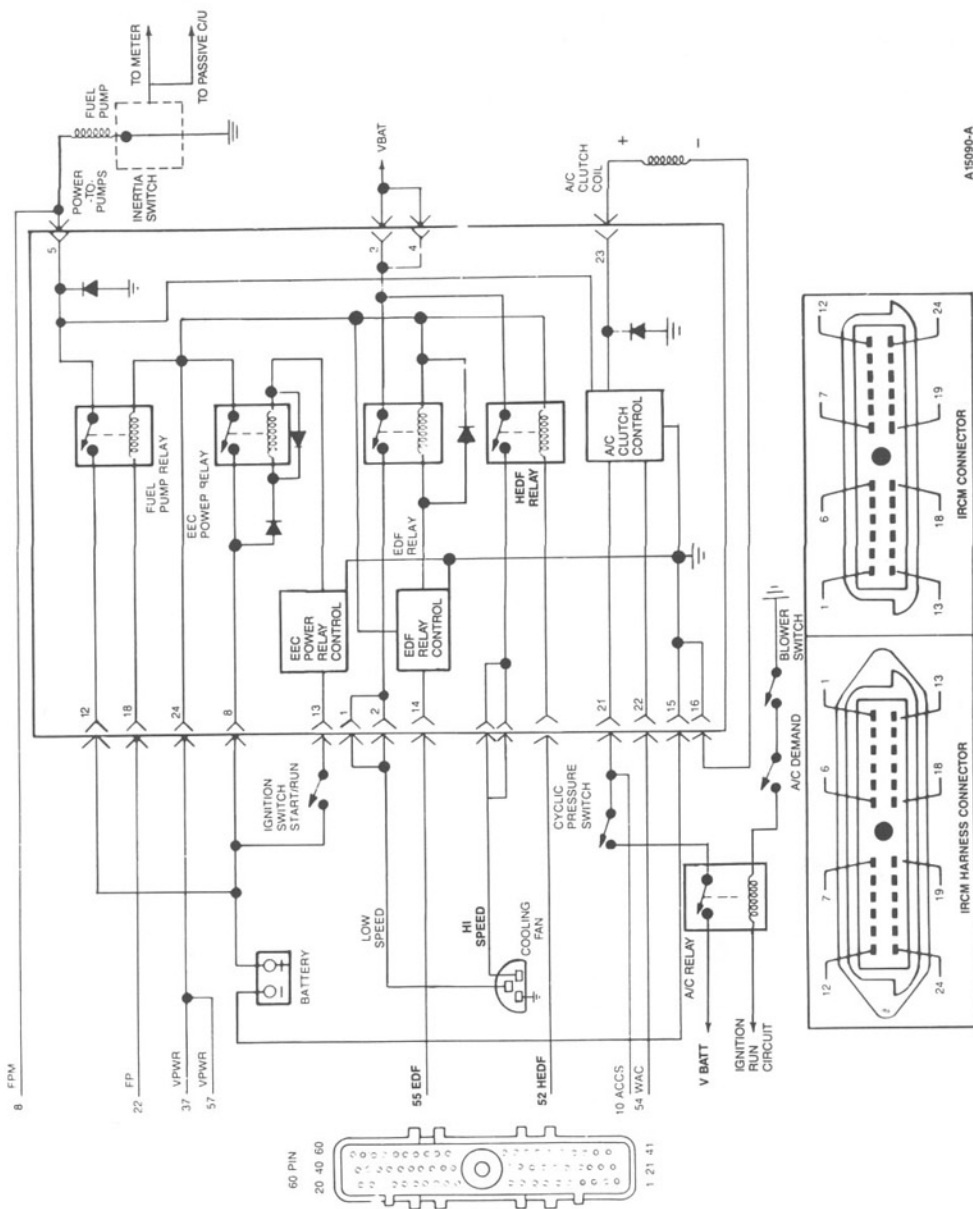
A 9362-A



1991
Probe V-6
Integrated Relay Control Module

3.0L
MAP
 (VIN Code U)*

VIN: ...
 Engine code

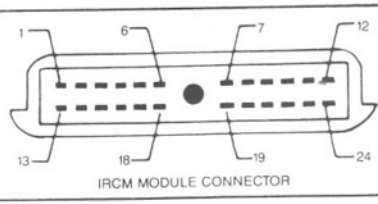
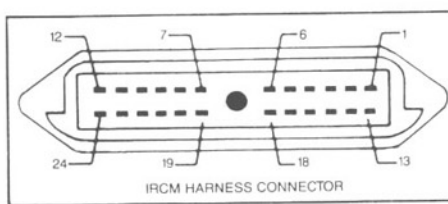
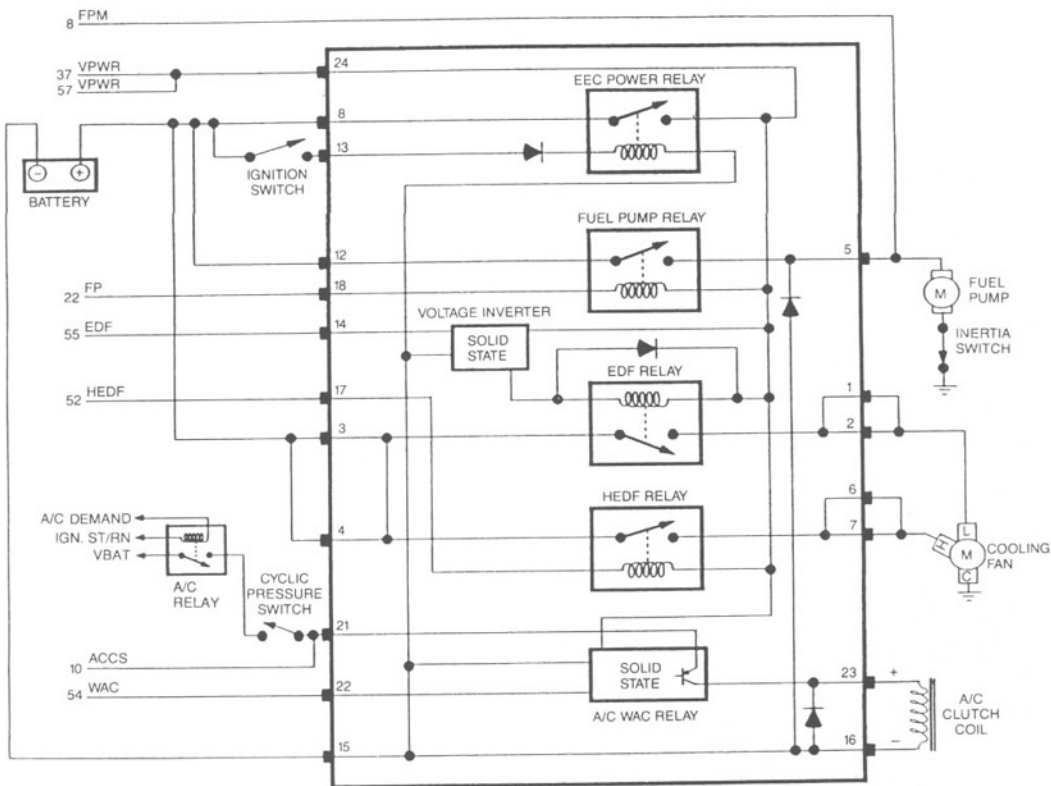


*See MECS for 4-cyl. Probe

1992 Probe V-6 Integrated Relay Control Module

3.0L MAP
(VIN Code U)*

VIN: 1 2 3 4 5 6 7 8 ... 17
Engine code



NOTE: WIRING SCHEMATIC SHOWS PINOUT LOOKING INTO HARNESS CONNECTORS

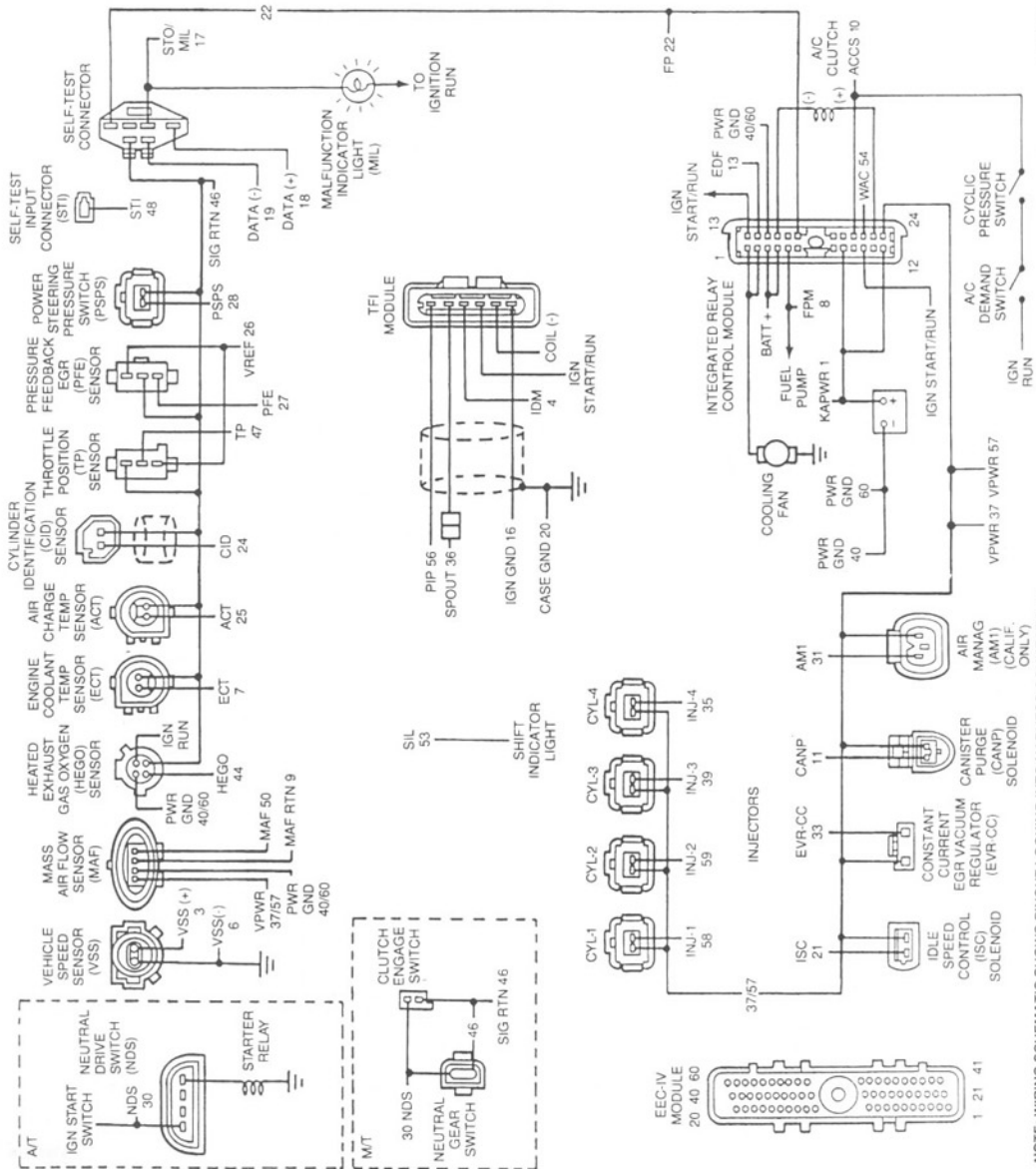
12

2.3L MAF-SFI HSC

(VIN Code A)

1992 Tempo, Topaz

VIN: 1 2 3 4 5 6 7 8 ... 17
 Engine code



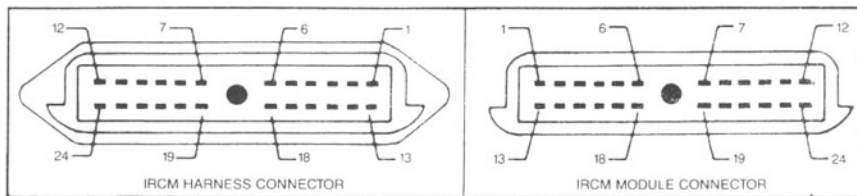
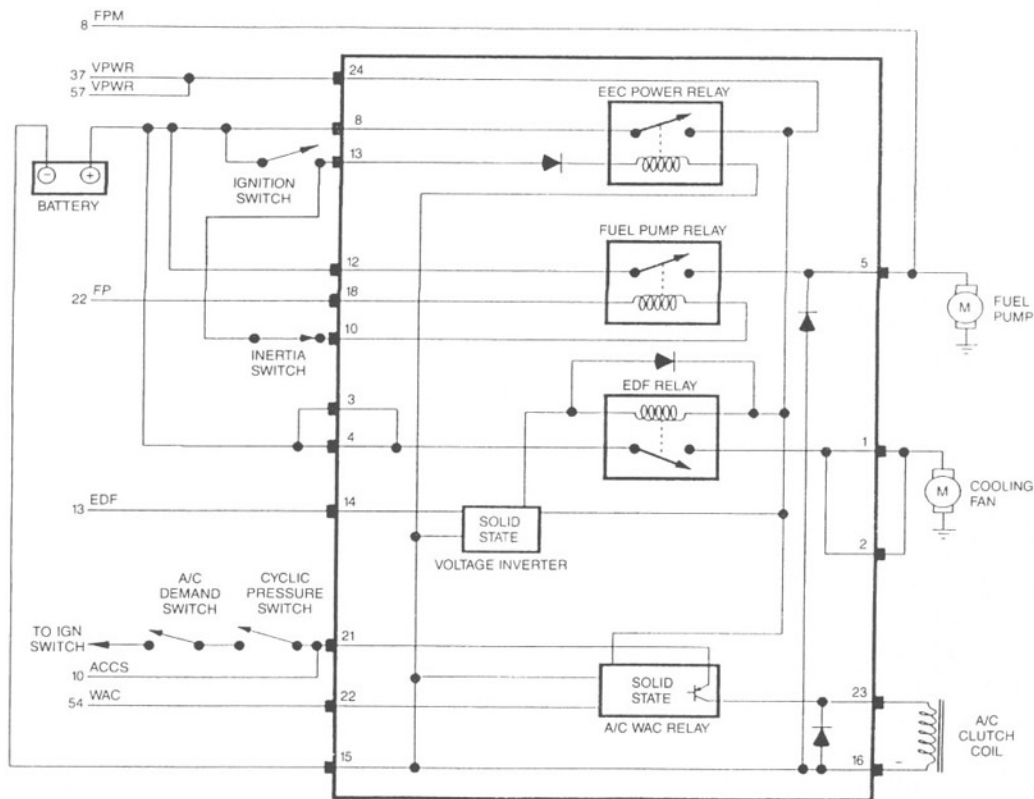
A15321-A

NOTE: WIRING SCHEMATIC SHOWS PINOUT LOOKING INTO HARNESS CONNECTORS

1992 Tempo, Topaz Integrated Relay Control Module

2.3L
MAF-SFI HSC
(VIN Code A)

VIN: 1 2 3 4 5 6 7 8 ... 17
Engine code

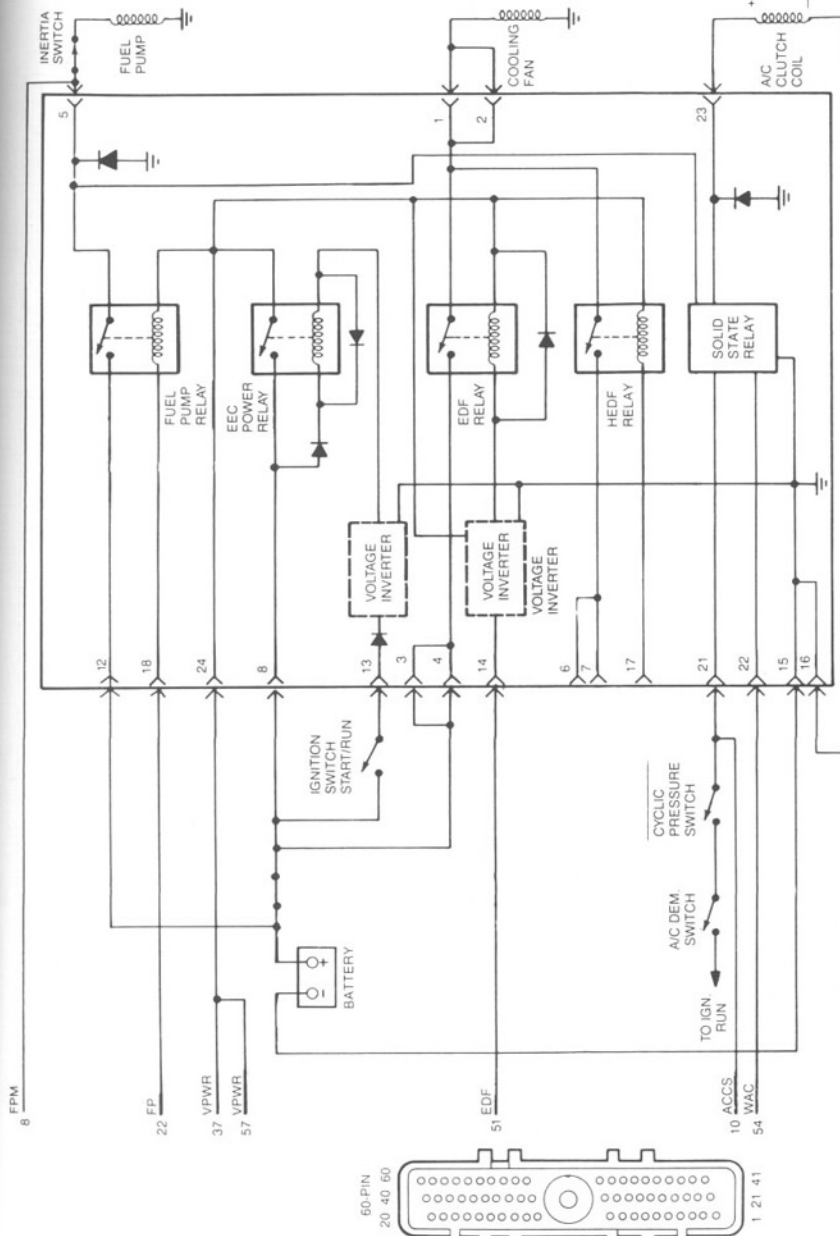


A15322-A

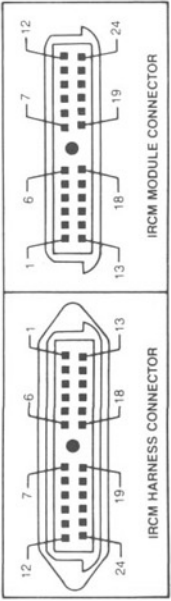
1988-1991 Tempo, Topaz Integrated Relay Control Module

**2.3L
MAP HSC**
(VIN Code A)

VIN: ...
Engine code



NOTE: THE 2.3L OHC EFI IRCM CONTAINS AN HEDF RELAY, BUT IT IS NOT EXTERNALLY WIRED OR USED.



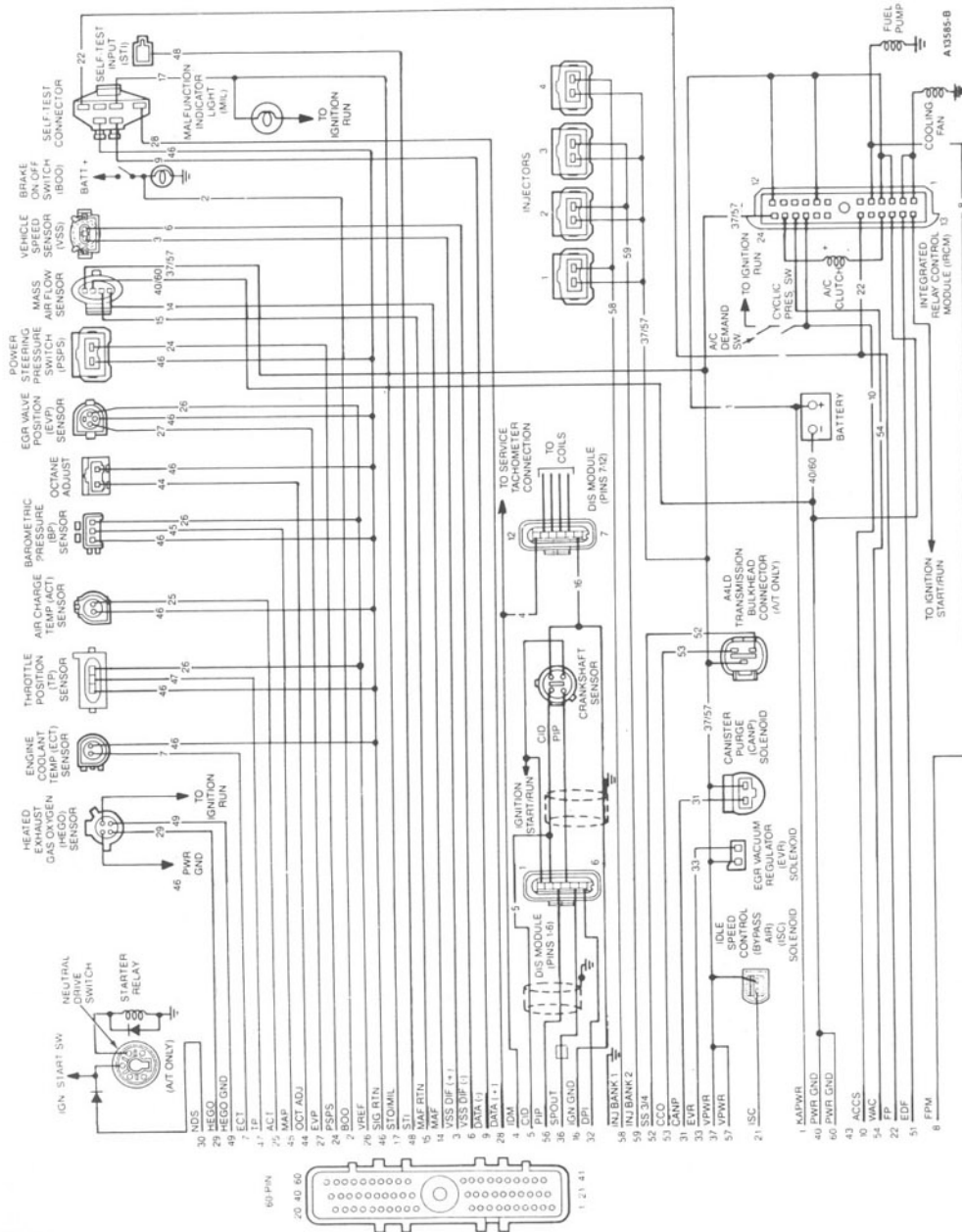
A9354-F

12

**2.3L
MAF-SFI OHC**
(VIN Code S)

**1990–1991
Mustang**

VIN: 1 2 3 4 5 6 7 8 ... 17
Engine code



2.3L MAF-SFI OHC

INERTIA SWITCH
5
FPM
8

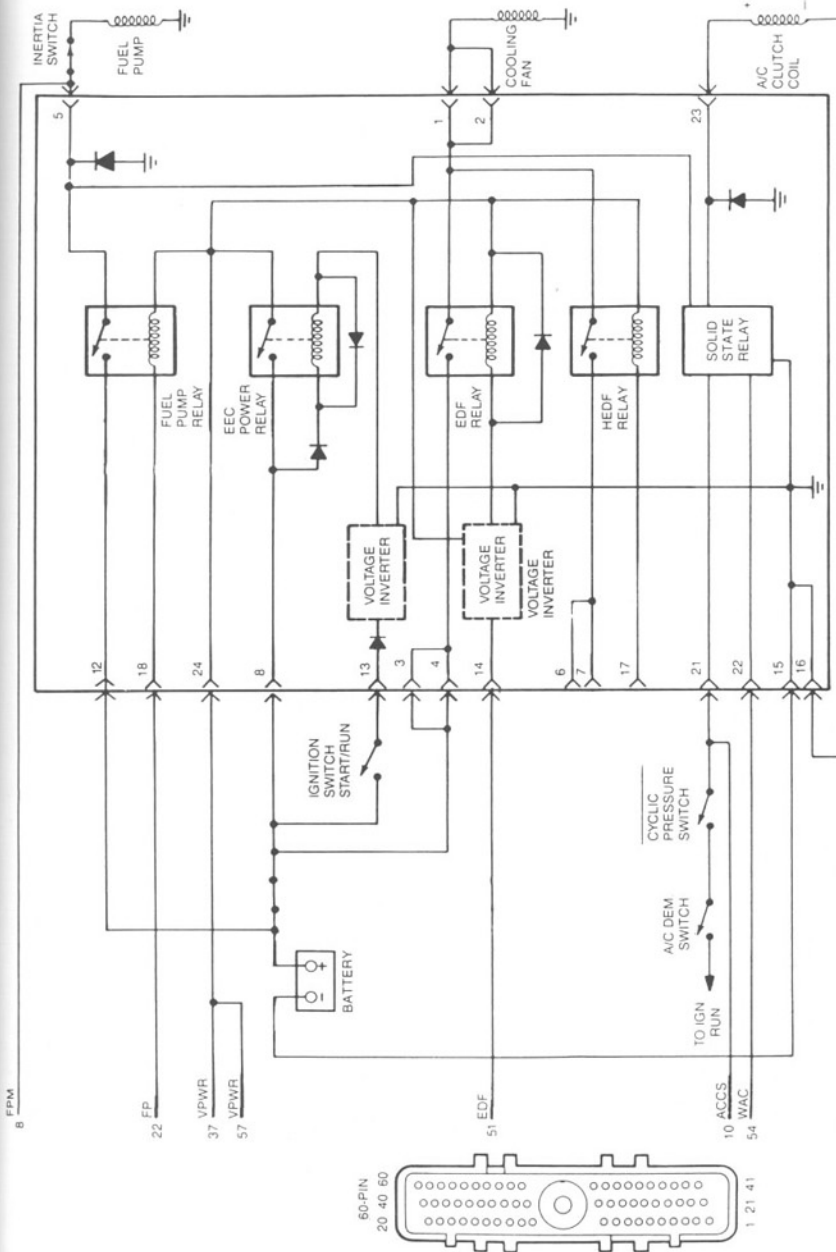
**1990–1991
Mustang
Integrated Relay Control Module**

**2.3L
MAF-SFI OHC**
(VIN Code S)

VIN:

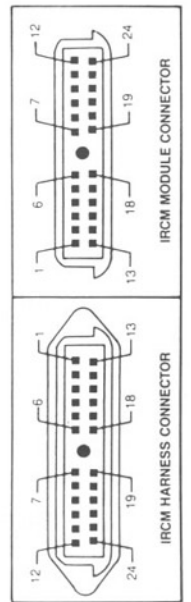
1	2	3	4	5	6	7	8	...	17
---	---	---	---	---	---	---	---	-----	----

Engine code



A9354-F

NOTE: THE 2.3L OHC EFI IRCM CONTAINS AN HEDF RELAY, BUT IT IS NOT EXTERNALLY WIRED OR USED.



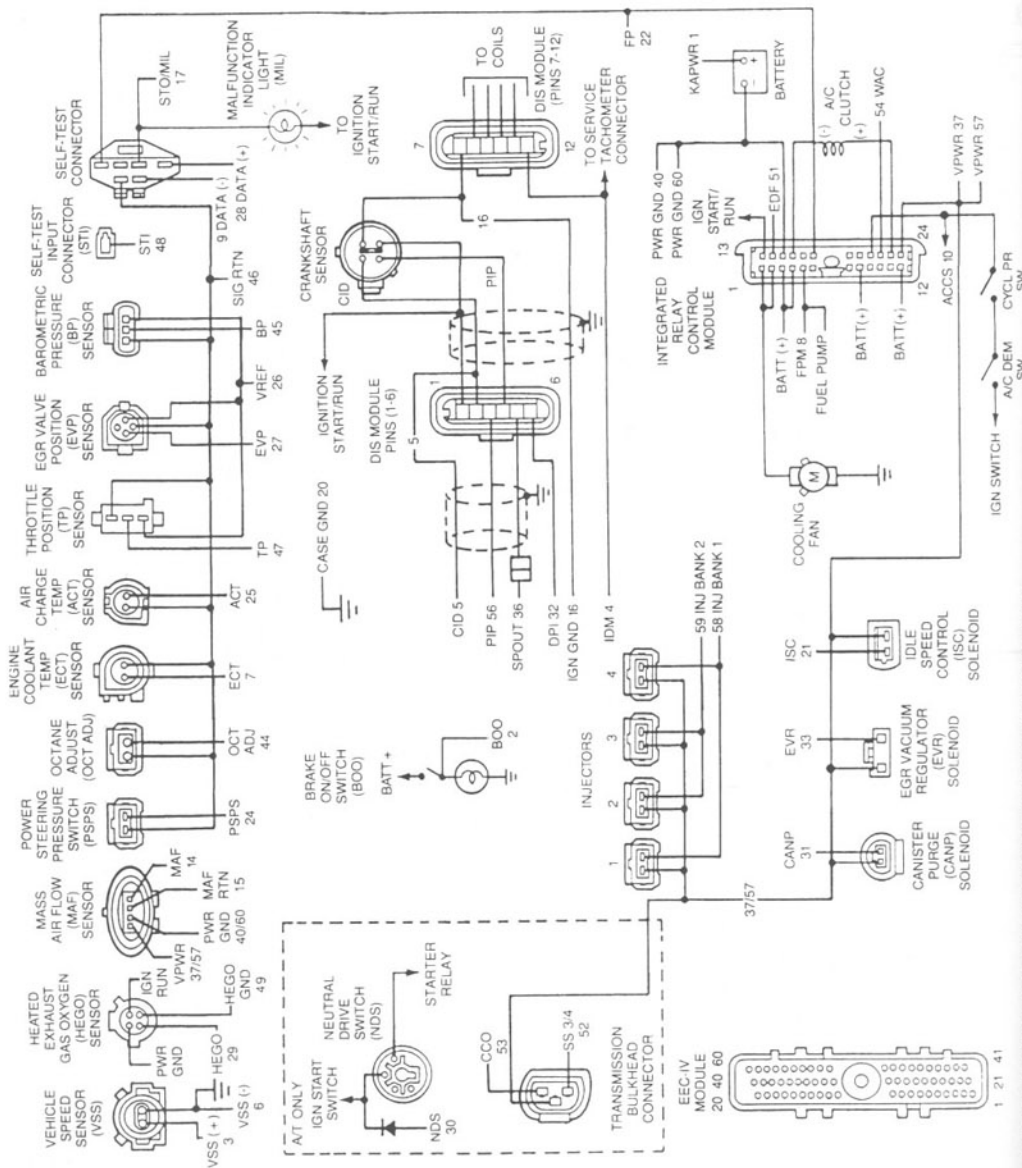
12

2.3L MAF-SFI OHC

(VIN Code S)

1992-1993 Mustang

VIN: 1 2 3 4 5 6 7 8 ... 17
 Engine code



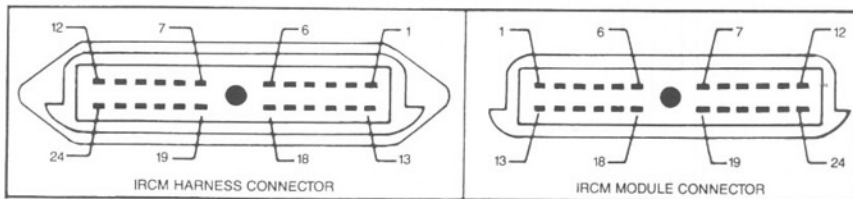
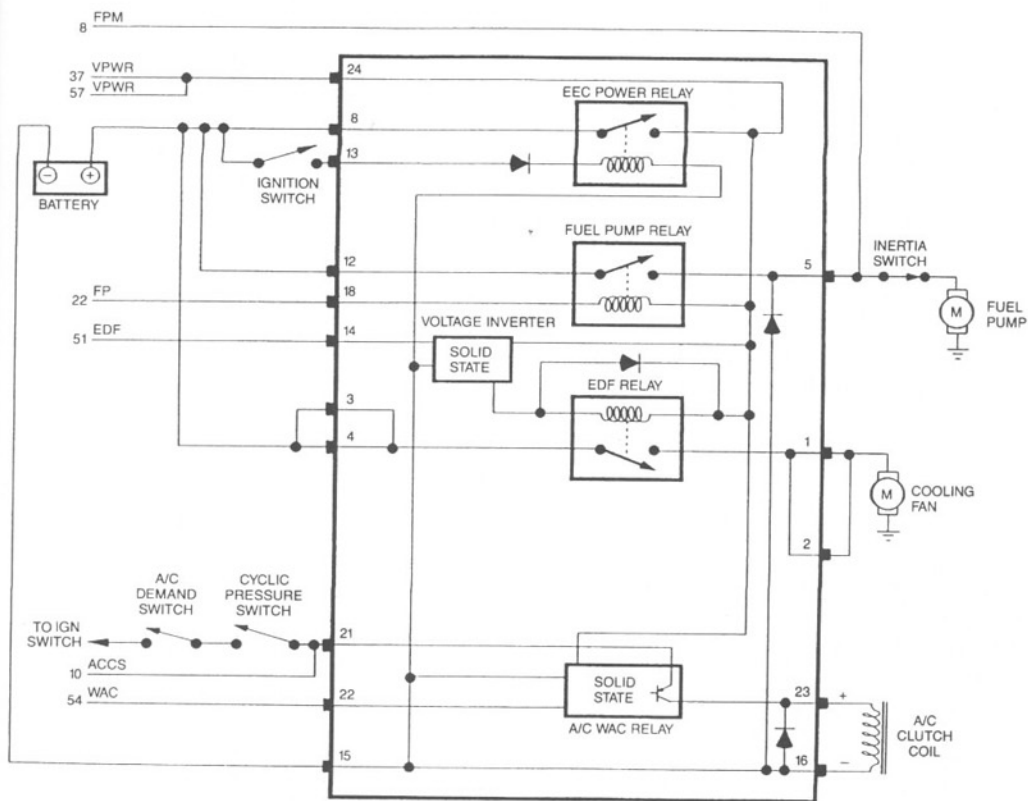
A15319-A

NOTE: WIRING SCHEMATIC SHOWS PINOUT LOOKING INTO HARNESS CONNECTORS

1992-1993 Mustang Integrated Relay Control Module

2.3L MAF-SFI OHC
(VIN Code S)

VIN: 1 2 3 4 5 6 7 8 ... 17
Engine code



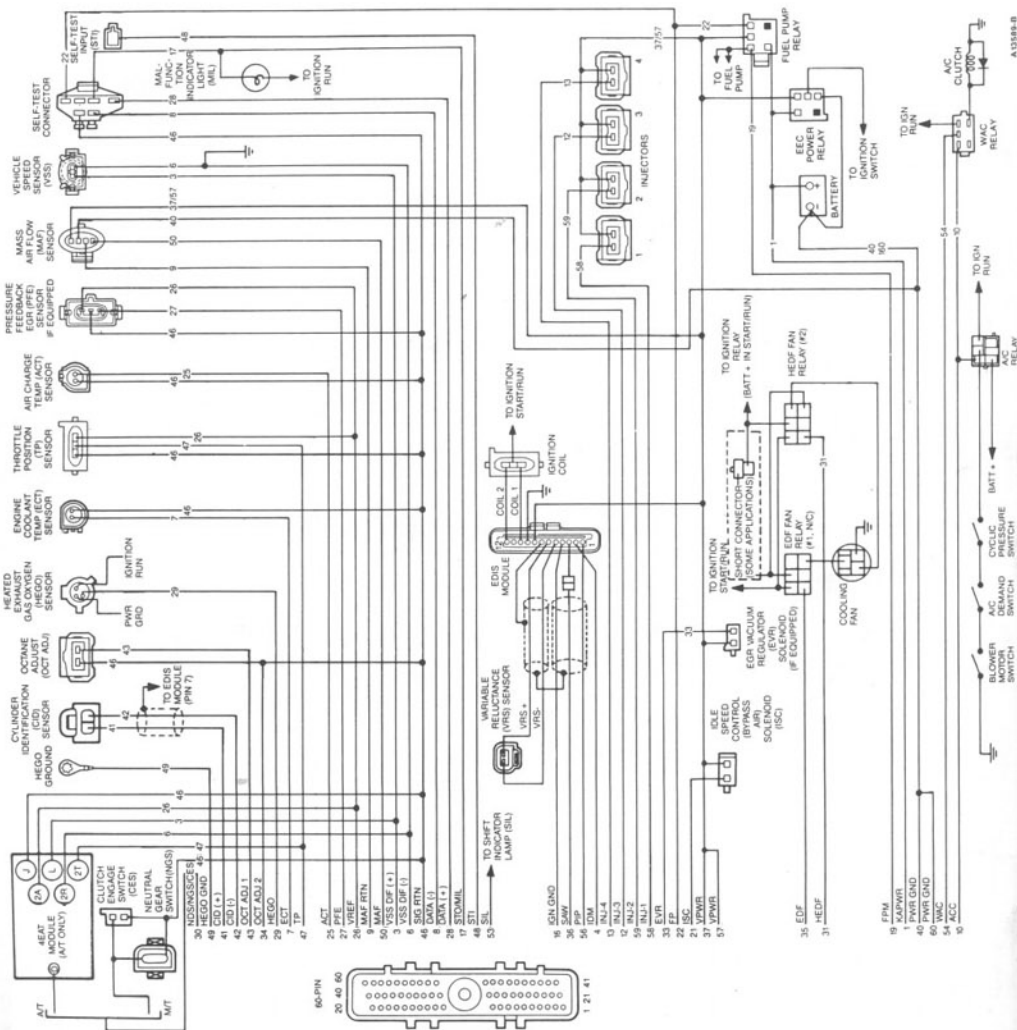
12

NOTE: WIRING SCHEMATIC SHOWS PINS OUT LOOKING INTO HARNESS CONNECTORS

**1.9L
MAF-SFI**
(VIN Code J)

**1990-1991
Escort, Tracer**

VIN: 1 2 3 4 5 6 7 8 ... 17
Engine code

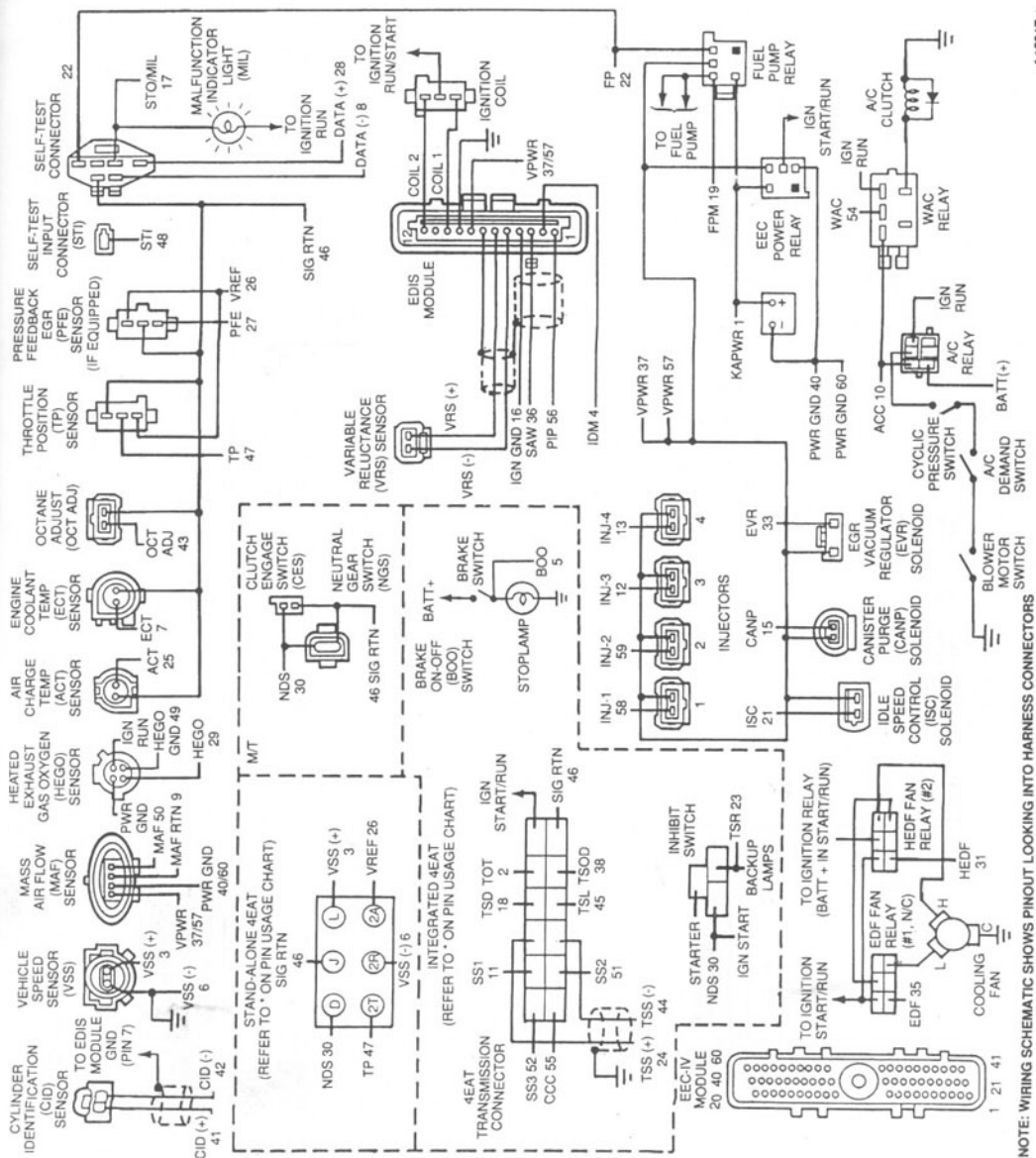


J2W1

1992-1993
Escort, Tracer

1.9L
MAF-SFI
(VIN Code J)

VIN: 1 2 3 4 5 6 7 8 ... 17
Engine code



A15317-4

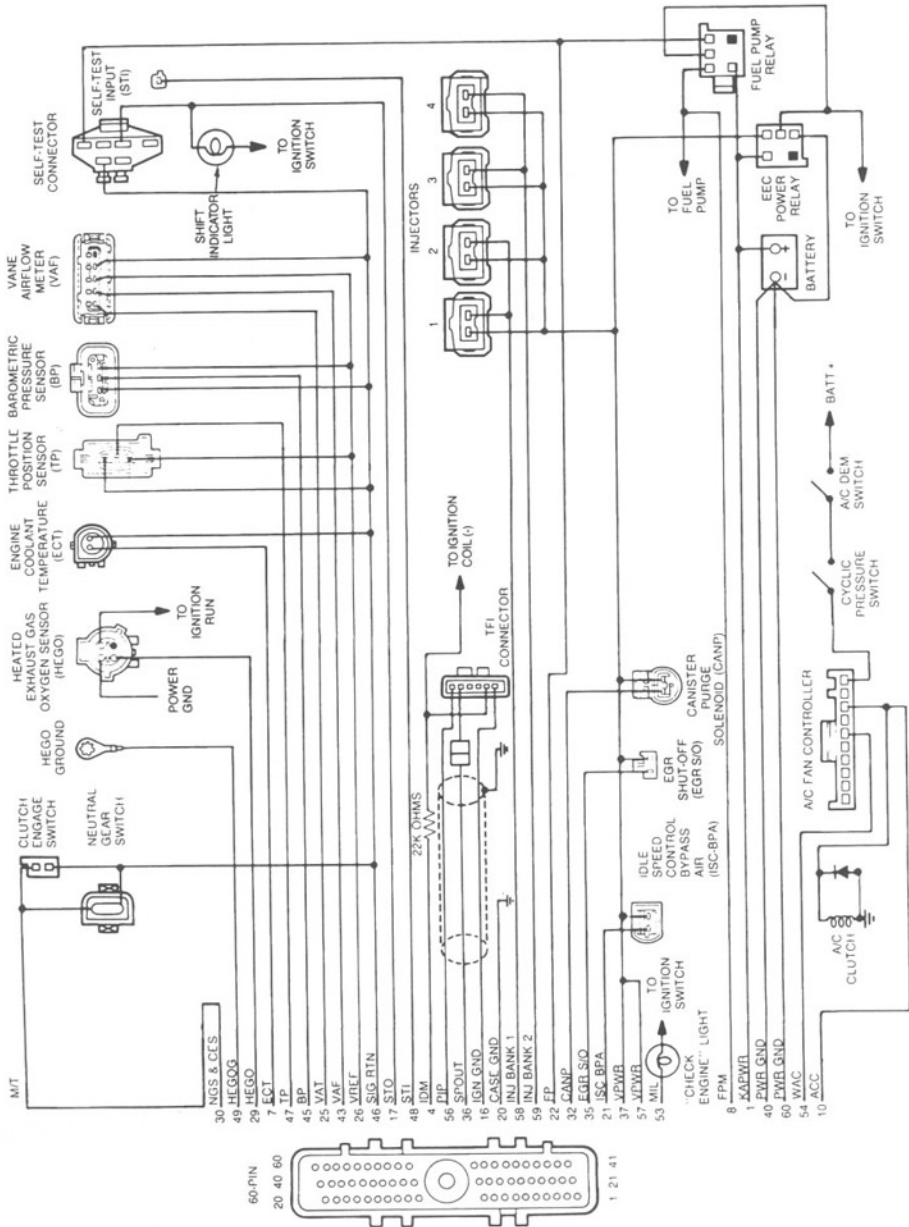
12

NOTE: WIRING SCHEMATIC SHOWS PINOUT LOOKING INTO HARNESS CONNECTORS

1.9L VAF
(VIN Code X)

1988-1989
Escort

VIN: 1 2 3 4 5 6 7 8 ... 17
Engine code



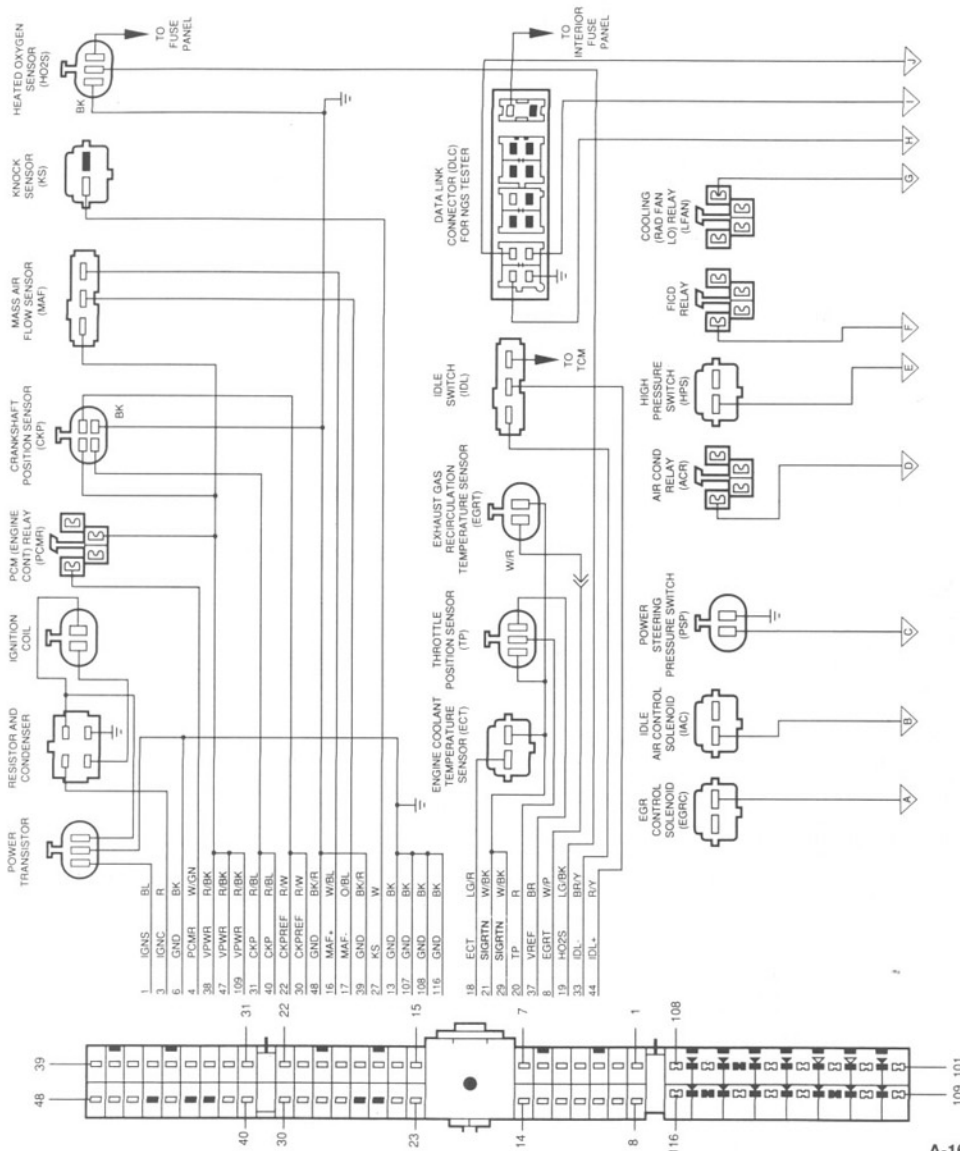
A8945-D

NOTE: WIRING SCHEMATIC SHOWS PIN OUT LOOKING INTO HARNESS CONNECTORS

1993
Mercury Villager
 (Nissan Electronic Concentrated Control System)

NECCS
3.0L MAF-SFI

VIN: 1 2 3 4 5 6 7 8 ... 17
 Engine code

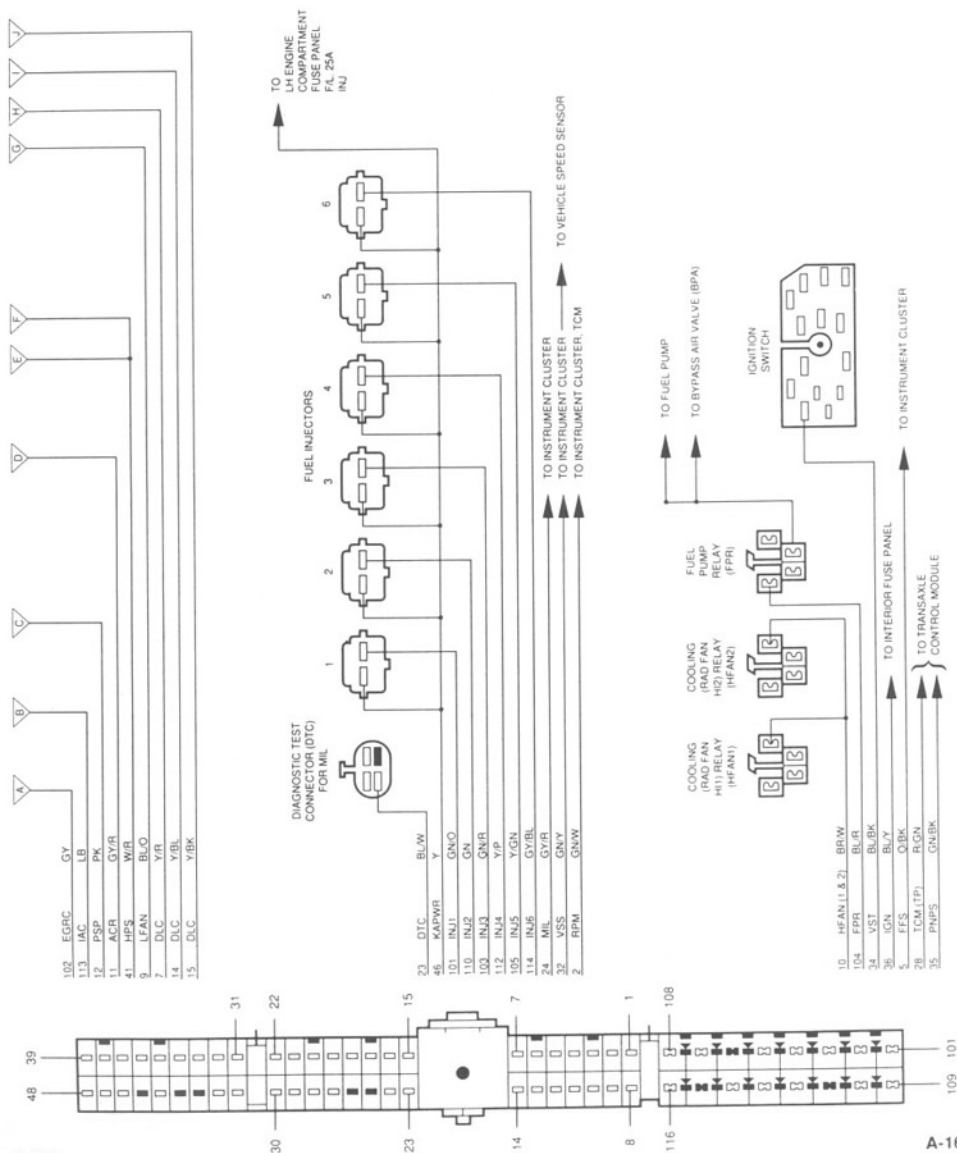


A-16879-D

NECS
3.0L MAF-SFI

1993
Mercury Villager
(Nissan Electronic Concentrated Control System)

VIN: 1 2 3 4 5 6 7 8 ... 17
Engine code

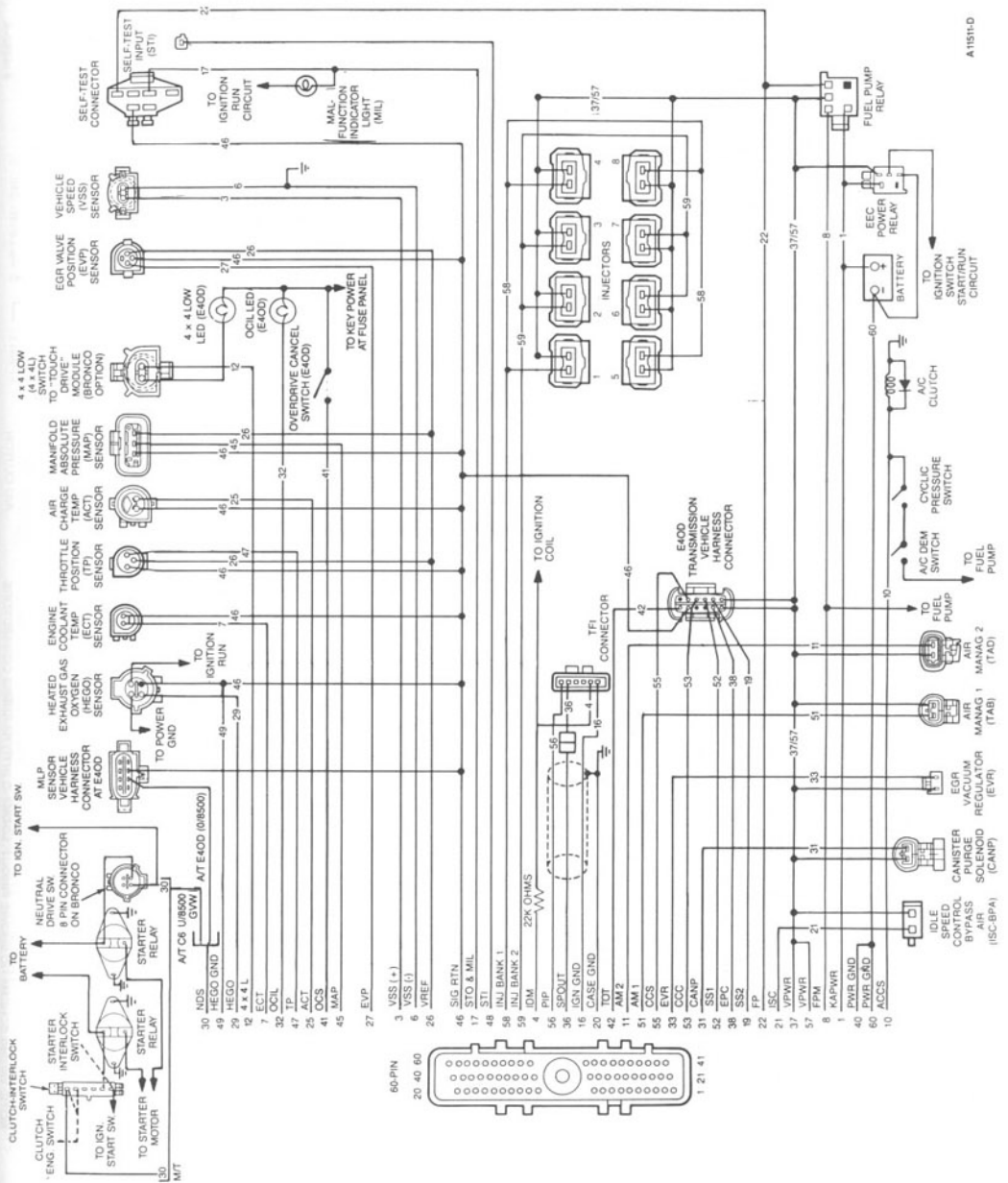


A-16970-D

1988-1991
E/F Series, Bronco

5.8L
MAP
(VIN Code H)

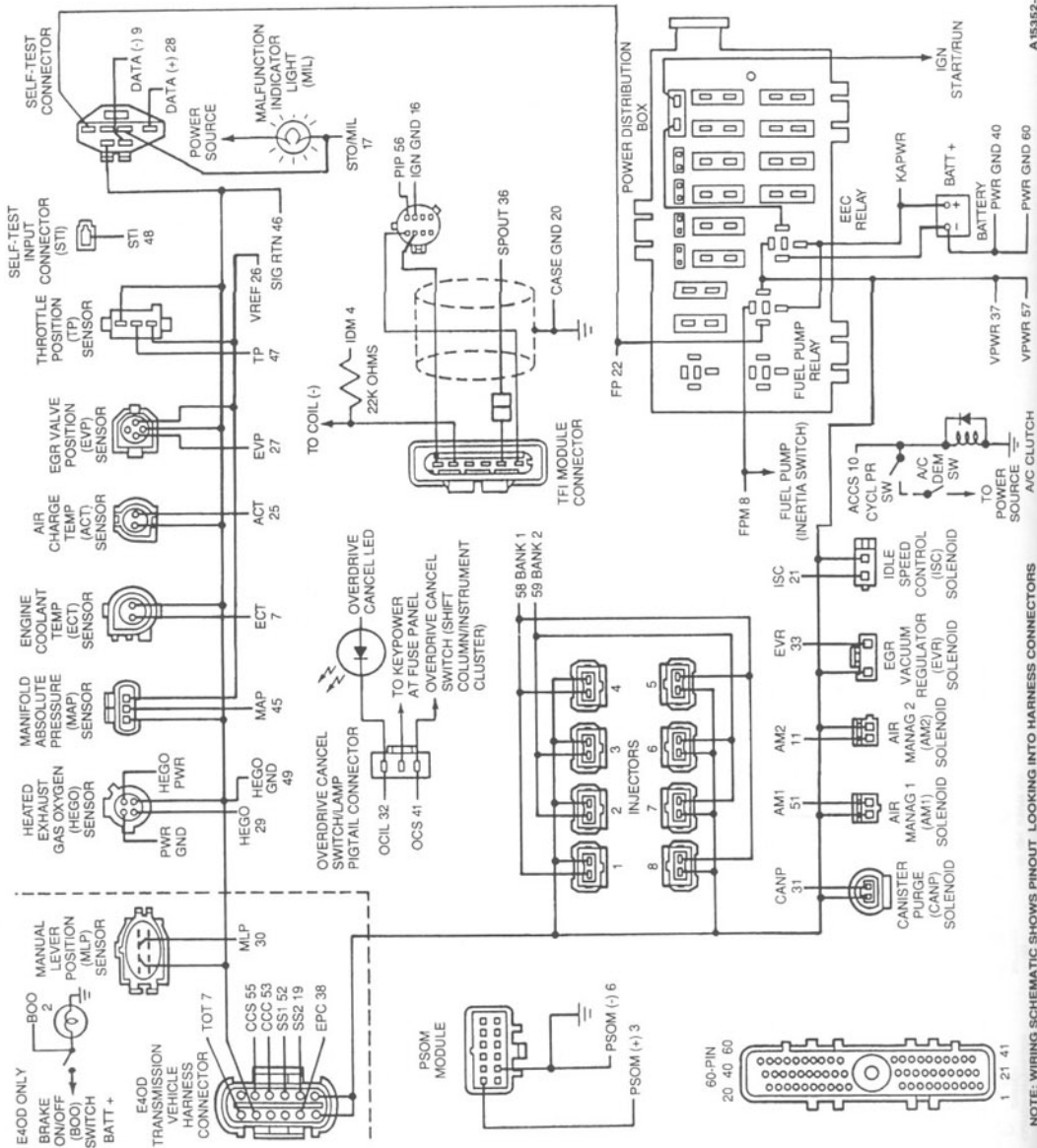
VIN: 1 2 3 4 5 6 7 8 ... 17
Engine code



**5.8L
MAP**
(VIN Code H)

**1992-1993
E Series, Bronco**

VIN: 1 2 3 4 5 6 7 8 ... 17
Engine code



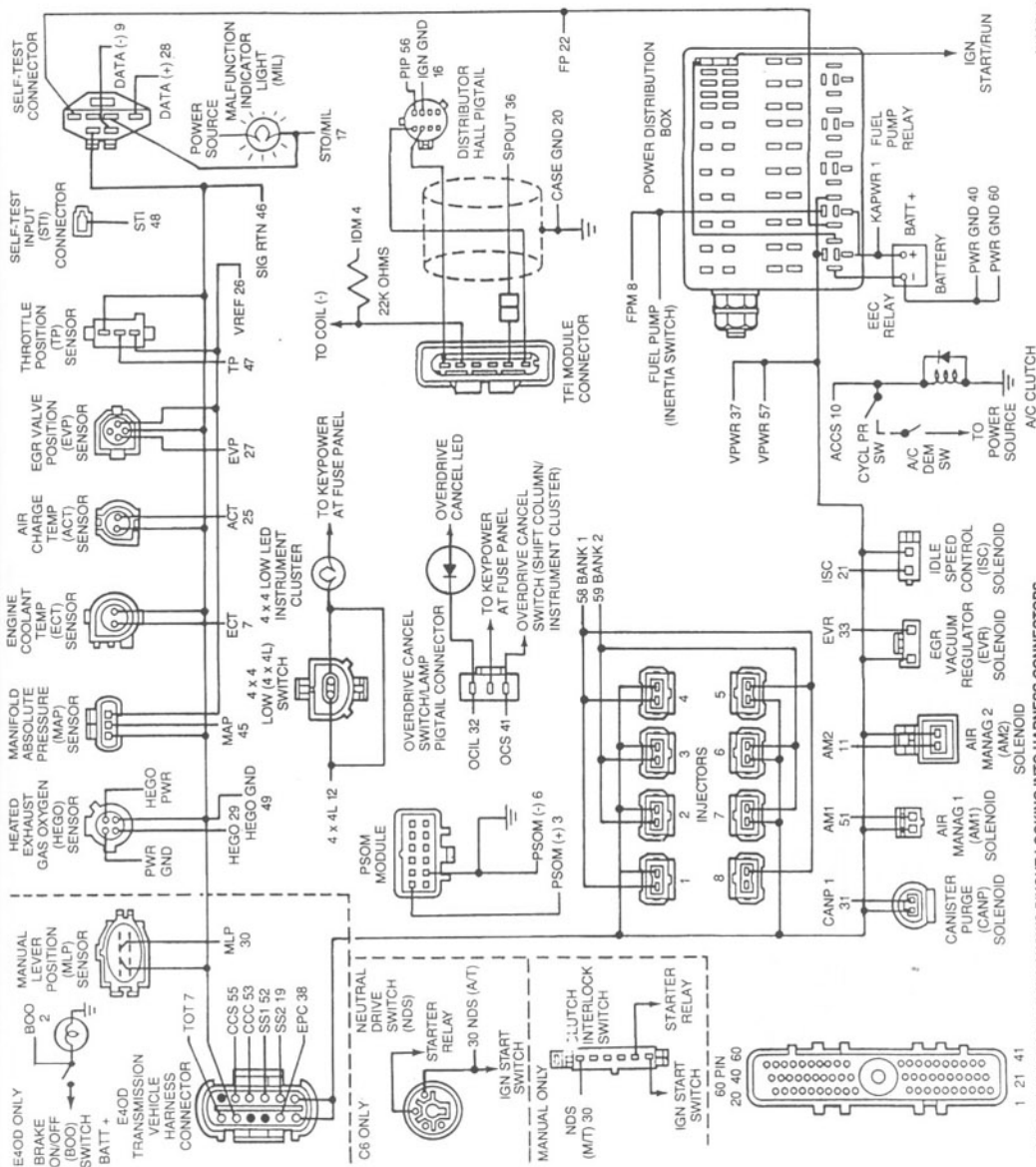
A 15352-A

NOTE: WIRING SCHEMATIC SHOWS PINOUT LOOKING INTO HARNESS CONNECTORS

1992-1993
F Series, Bronco

5.8L
MAP
(VIN Code H)

VIN: 1 2 3 4 5 6 7 8 ... 17
Engine code



NOTE: WIRING SCHEMATIC SHOWS PINOUT LOOKING INTO HARNESS CONNECTORS

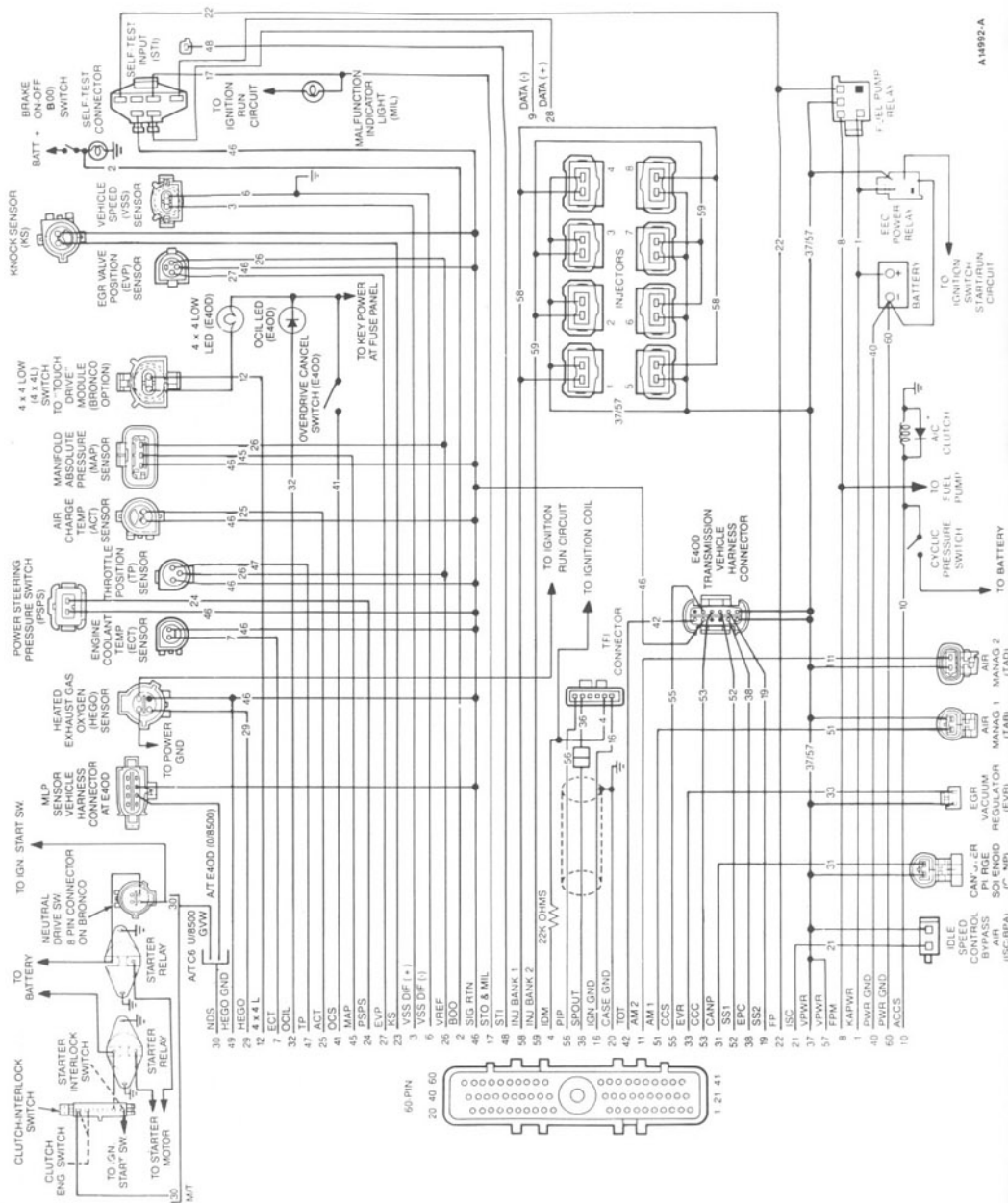
NOTE: WIRING SCHEMATIC SHOWS PINOUT LOOKING INTO HARNESS CONNECTORS

12

**5.0L
MAP**
(VIN Code N)

**1991
E/F Series, Bronco**

VIN: 1 2 3 4 5 6 7 8 ... 17
Engine code

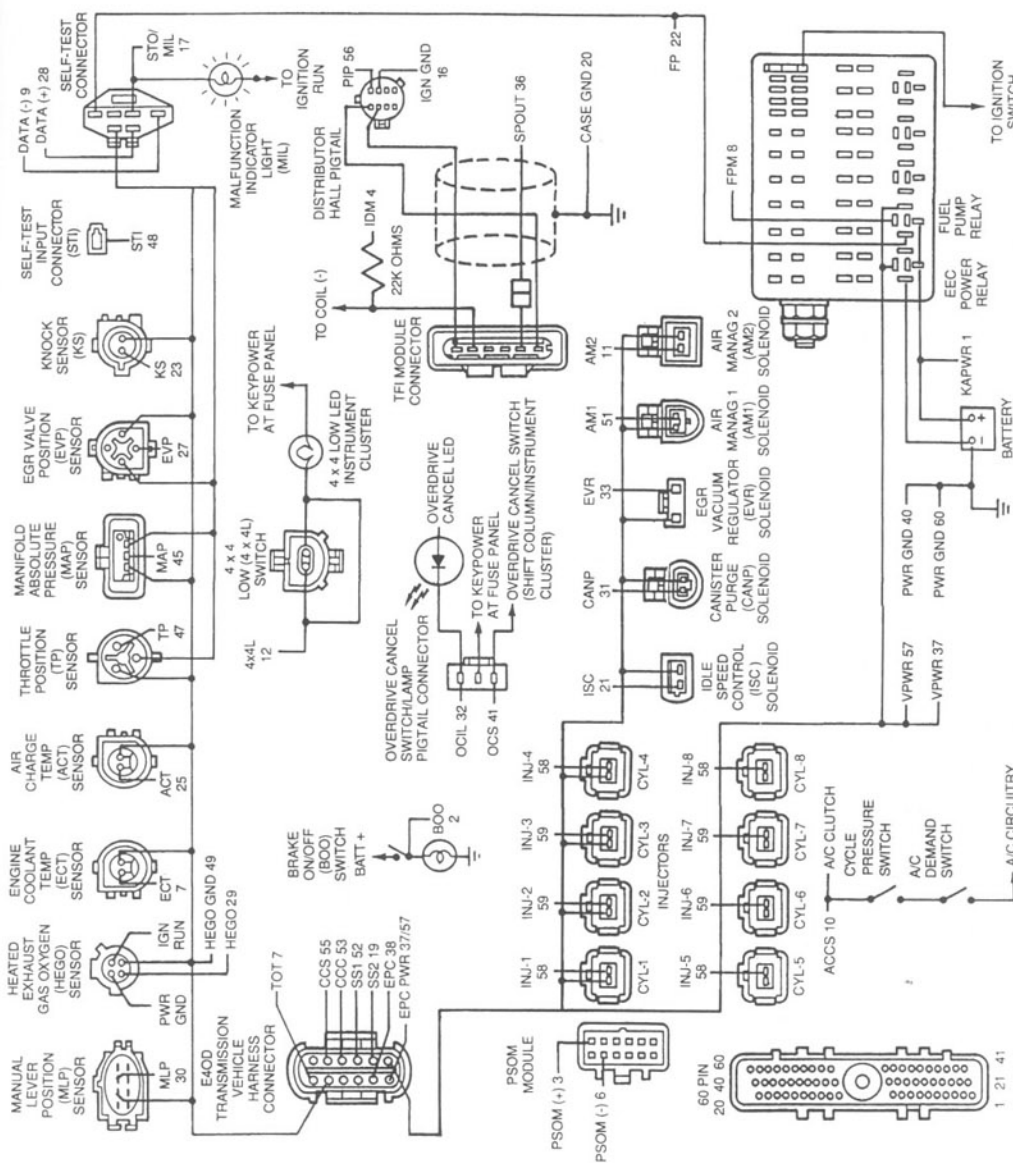


1992 F Series, Bronco (E4OD)

5.0L MAP

(VIN Code N)

VIN: 1 2 3 4 5 6 7 8 ... 17
 Engine code



A15348-A

A15350-A

NOTE: WIRING SCHEMATIC SHOWS PINOUT LOOKING INTO HARNESS CONNECTORS

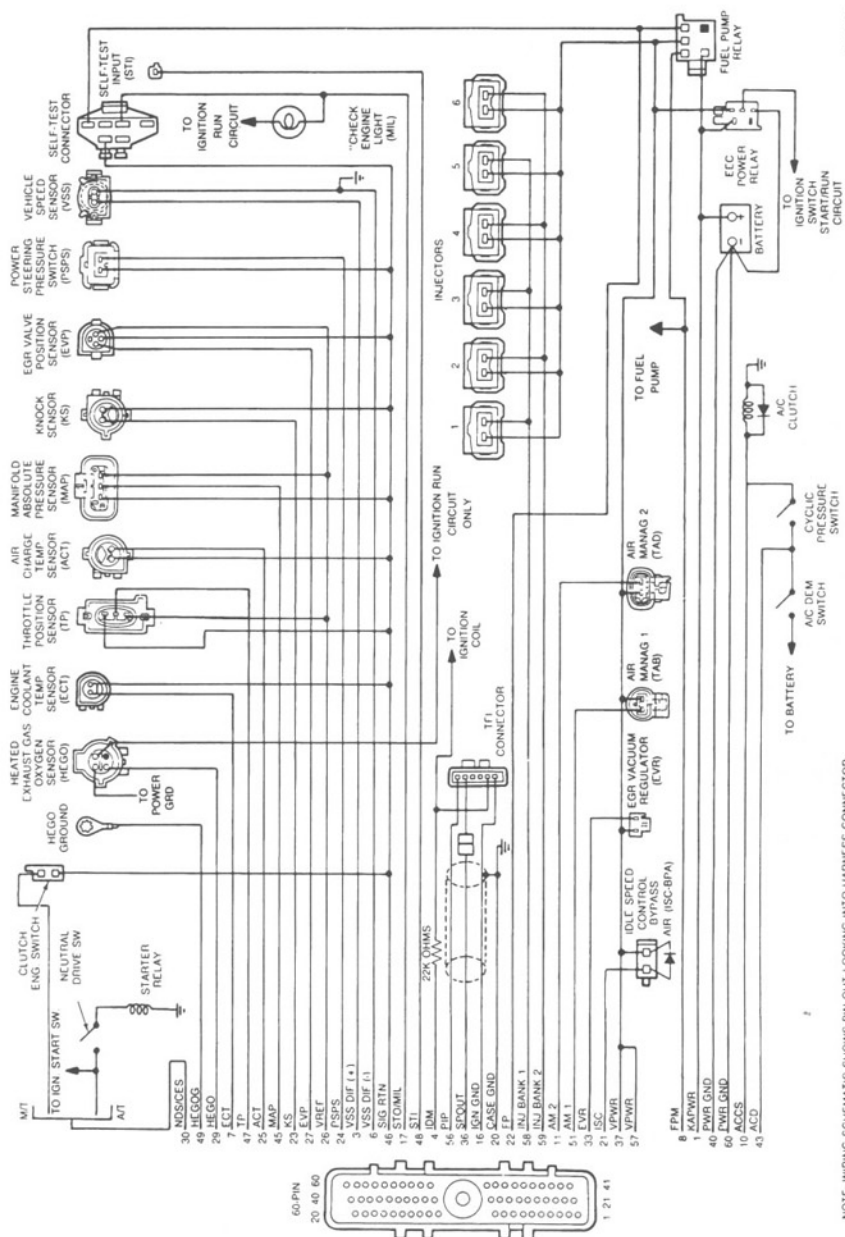
NOTE: WIRING SCHEMATIC SHOWS PINOUT LOOKING INTO HARNESS CONNECTORS

12

1988-1989
E/F Series, Bronco

4.9L
MAP
(VIN Code Y)

VIN: 1 2 3 4 5 6 7 8 ... 17
Engine code



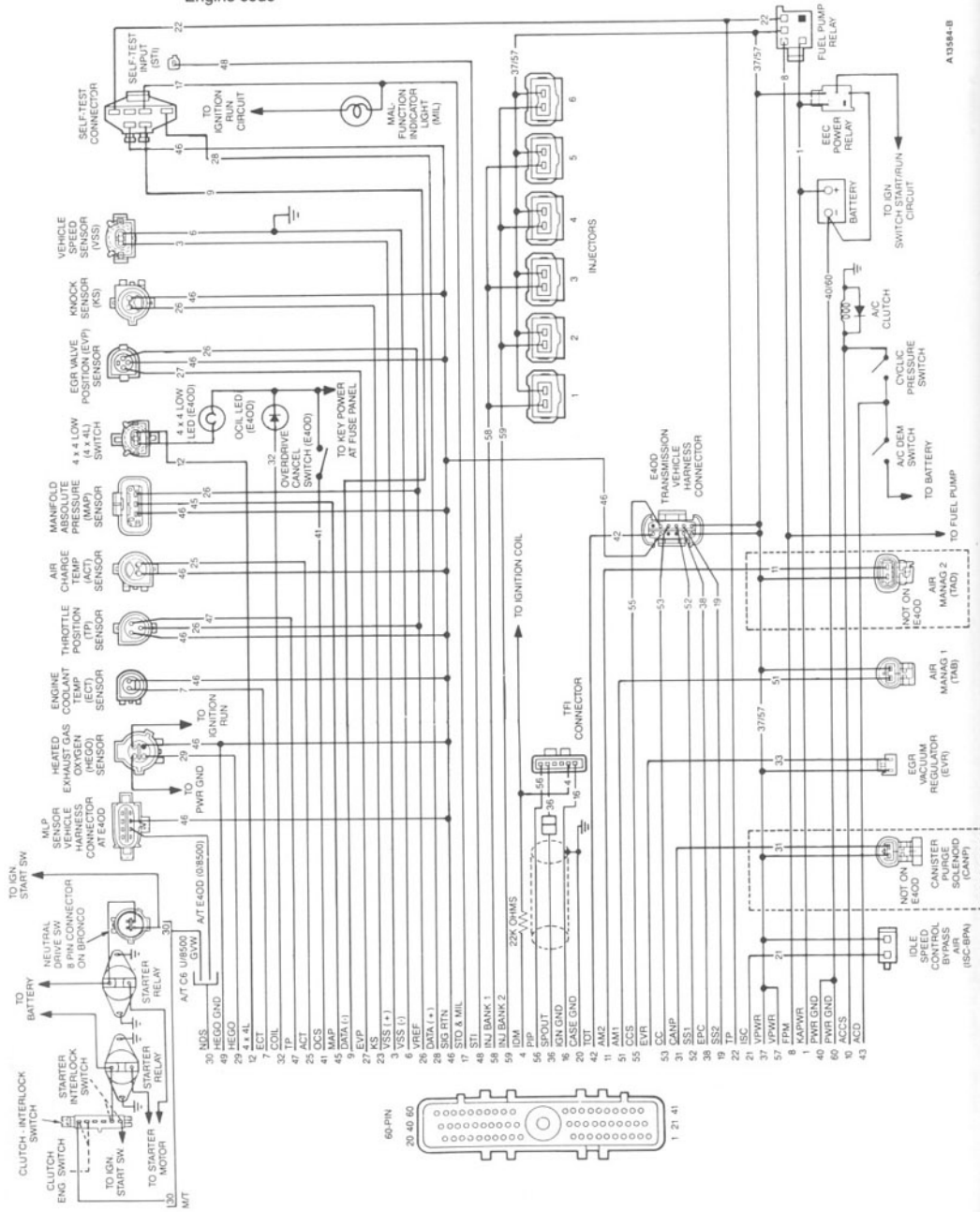
NOTE: WIRING SCHEMATIC SHOWS PIN OUT LOOKING INTO HARNESS CONNECTOR.

12

4.9L MAP
(VIN Code Y)

1990-1991
E/F Series, Bronco

VIN: 1 2 3 4 5 6 7 8 ... 17
Engine code



4.9L MAP

SELF-TEST
ENGINE
E/F-COM ONLY