



Freshwater Pearl Mussel

Margaritifera margaritifera

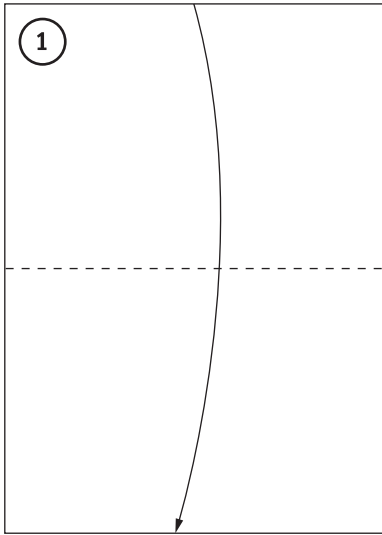
Less than 100 years ago freshwater pearl mussels used to be an abundant species in many European rivers, including Great Britain and Ireland. Today the situation is quite different and the freshwater pearl mussel is now regarded as globally threatened.

The freshwater pearl mussel is distributed from the arctic and temperate regions of western Russia through Europe to the north eastern seaboard of North America. Recent studies have revealed that there have been dramatic declines throughout its. The freshwater pearl mussel is capable of producing pearls. Substantial populations are now found on fewer than 50 rivers in Canada, northwest Russia and northeast Scandinavia, with a handful of sites in Bavaria, the Czech Republic and Austria.

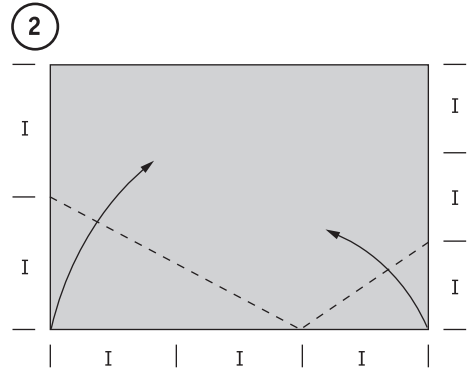
The large fresh water mussels need several years to grow to maturity. The duration of this process depends on the quality of environmental conditions. A female mussel produces maximally 10 million of larvae (about 0,05 mm), they must be inhaled by a suitable host fish, so they can develop to juvenile mussels in about 10 months.

Hints

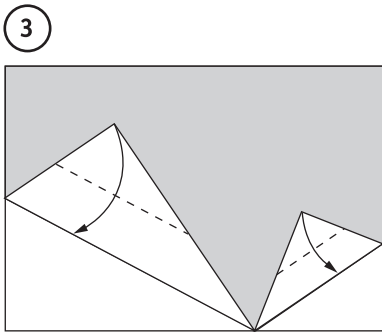
- level: ■ ■ □ □
- best result with wet folding
- paper size: DIN A5 or DIN A6 (21x14,8 cm or 14,8x10,5 cm) for success
- use paper with 180-250 g/sqm



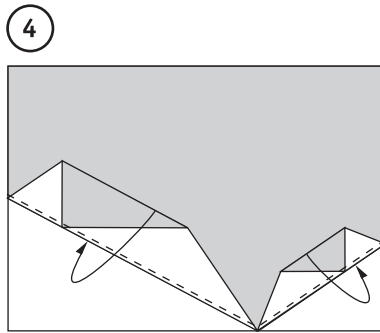
- colored side down
- fold in half



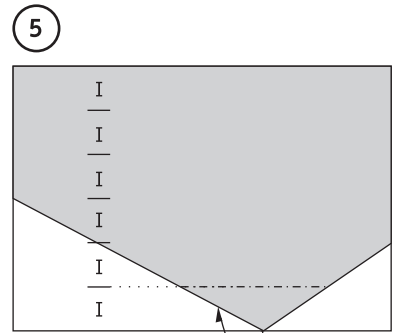
two valley-folds with the upper flap



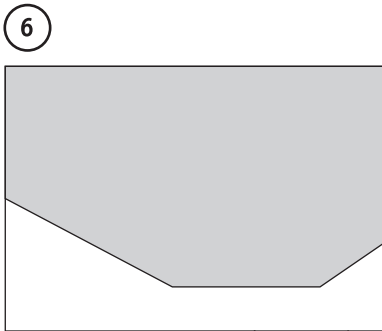
two valley-folds to the edges made in step 2



fold to the inner left and right

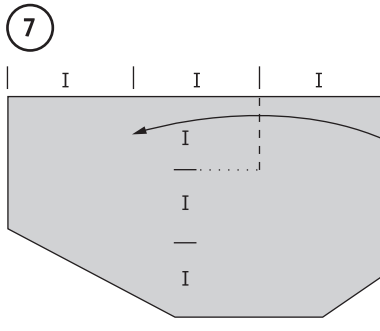


fold to the inner

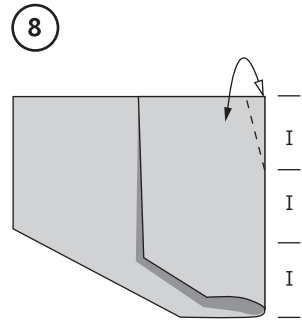


repeat steps 2-5 with the lower flap

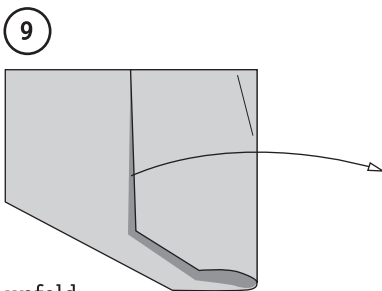
2-5



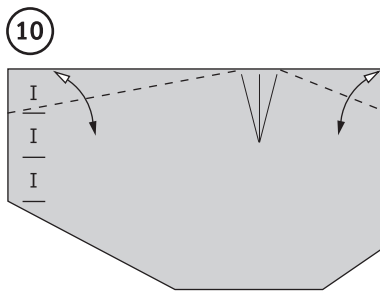
fold a short crease (the model will not lie flat)



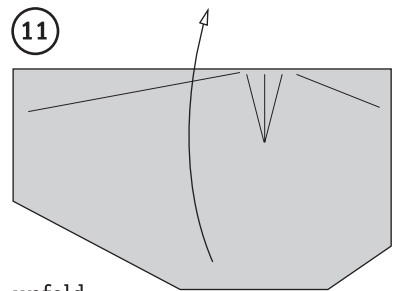
fold a small triangle and unfold



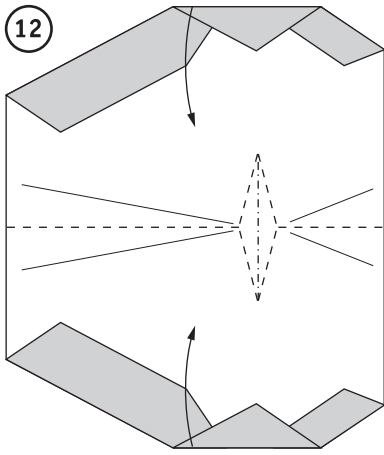
unfold



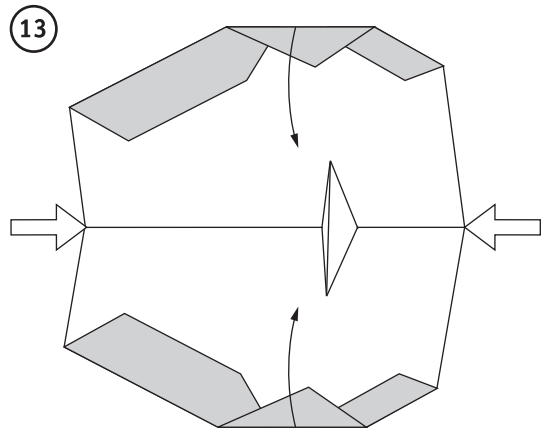
fold and unfold



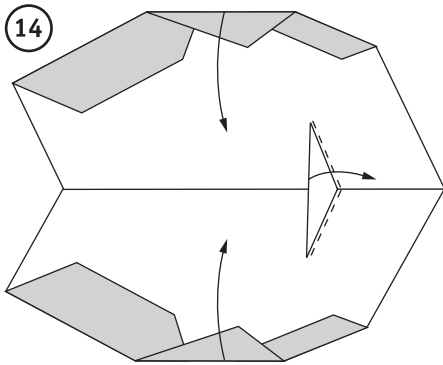
unfold



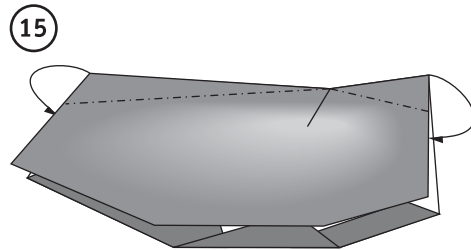
12 rearrange the existing creases for a diamond shape, and near the upper and lower edges (the model will not lie flat)



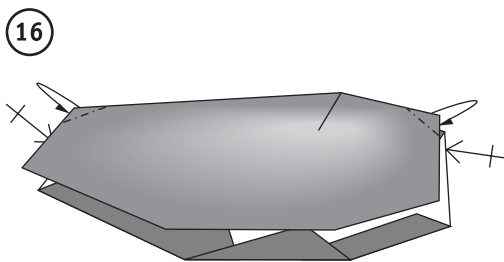
13 pinch together the diamond shape (the mussel will become more 3-dimensional)



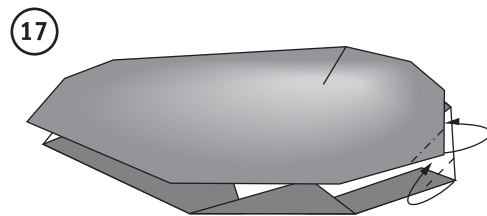
14 fold the triangle to the right side firmly by shaping the shell 3-dimensional (the mussel will get closer)



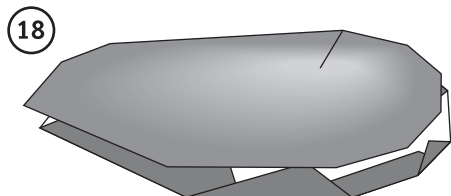
15 reverse-folds on both existing creases from step 10



16 two little mountain-folds to the inner; repeat with the lower flap



17 two little folds inside



18 finished (however, you can crumple a pearl with a sheet of foil, and curve with a sheet of tissue paper the mussel flesh)