

Special High Grade Zinc (SHG) 99.995%

Technical Datasheet

Uses

Zinc ingots of high purity (99.995%) for tube, wire, sheet or general galvanizing.
Nyrstar Special High Grade Zinc 99.995% is an LME-approved brand, conforming to the specifications covering quality, shape and weight as defined by the special contract rules of the LME Standards.

Chemical specification

Chemical specification	Guaranteed analysis	Typical SHG analysis
Pb	≤ 0.003%	0.0018%
Cd	≤ 0.003%	0.0002%
Fe	≤ 0.002%	0.0002%
Sn	≤ 0.001%	0.0002%
Cu	≤ 0.001%	0.0002%
Al	≤ 0.001%	0.0001%
Total of 6 elements above	≤ 0.005%	0.0027%

Standards

Standard	Grade
International ISO752-2004	Zn 99.995
Australian AS1242-1985	Zn99.99
European EN1179:2003	Z1
Japanese JIS H2107-1957	Highest Pure Zinc Metal
American ASTM B6:07	SHG

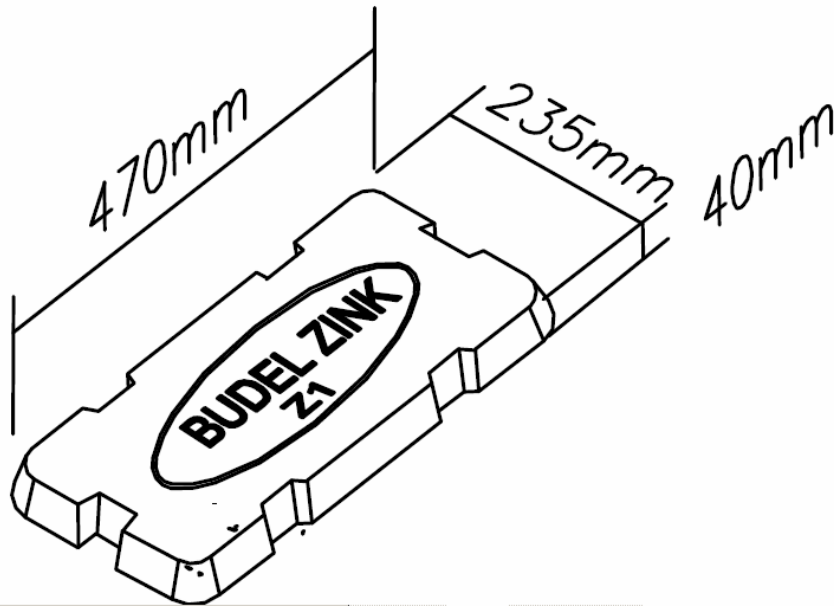
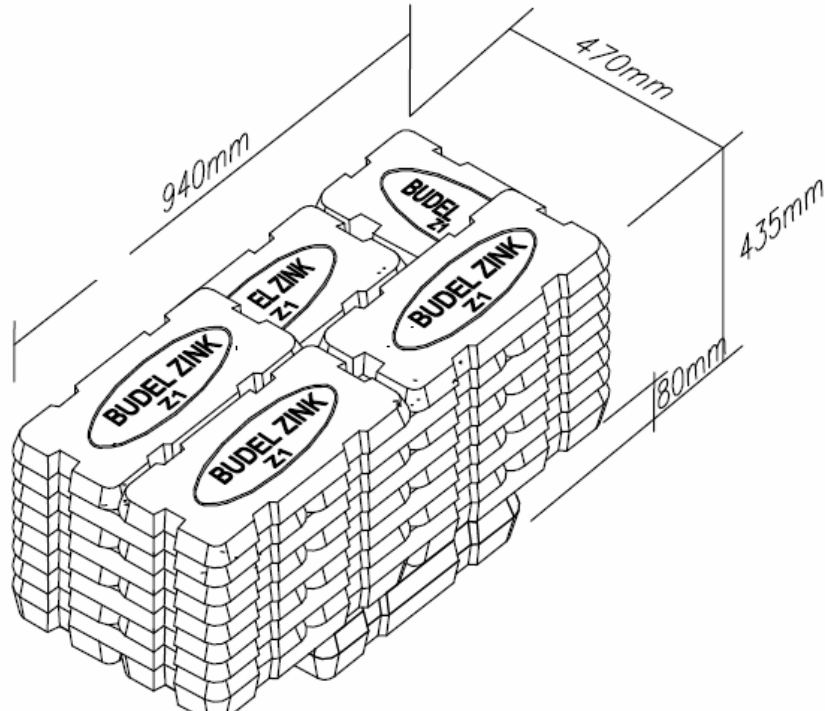
Physical data

Physical property	Unit	Value
Density solid	kg/dm ³	7.14
liquid (@ 419°C)	kg/dm ³	6.62
Melting point	°C	419
Superficial tension (@ 450°C)	N/m	0.78
Melting enthalpy	KJ/kg	100
Thermal capacity solid	J/kg K	460
liquid	J/kg K	628

Available shapes/package

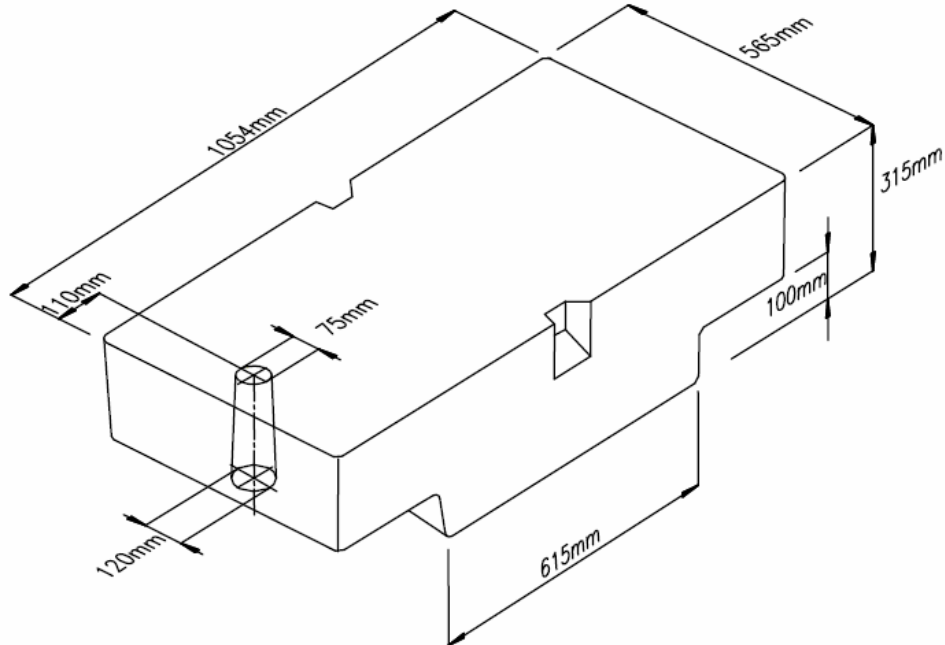
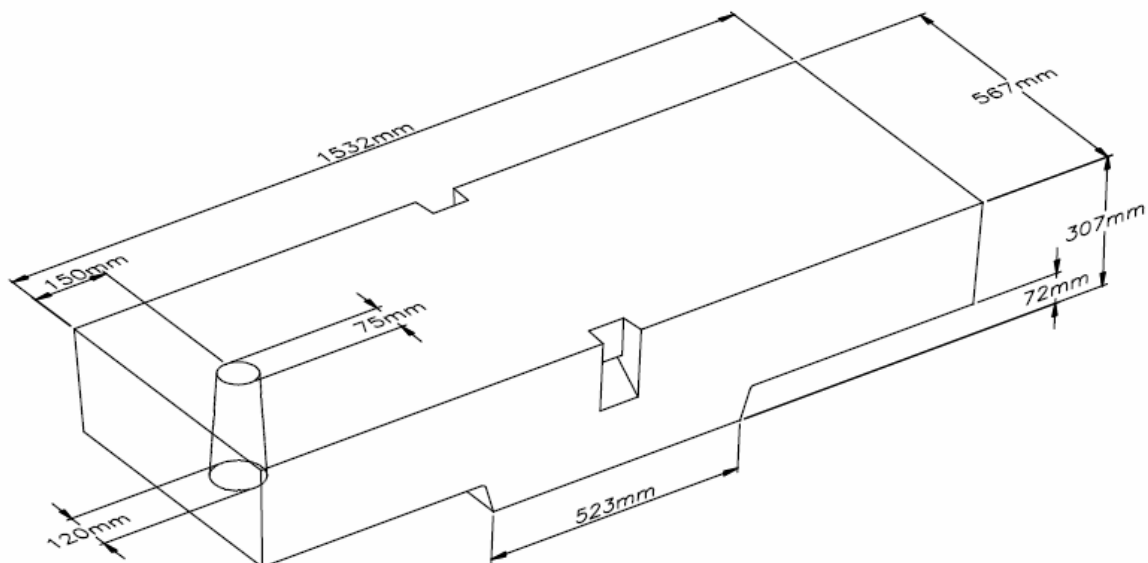
Shape/package	Nominal weight (in kg)	Dimensions (in mm)
Slab	25	470 x 235 x 40
Slab bundle (40 slabs per bundle)	1000 ± 50	940 x 470 x 435
Block Jumbo 1000 kg	1000 ± 50	1054 x 565 x 315
Block Jumbo 1450 kg	1450 ± 100	1532 x 567 x 307
Block Jumbo 1950 kg	1950 ± 100	2380 x 615 x 505
Block Jumbo 4000 kg	4000 ± 200	2135 x 490 x 370

Special High Grade Zinc (SHG) 99.995% Technical Datasheet

Slab**Nominal mass 25 kg**
Dimensions 470 x 235 x 40**Slab bundle (40 slabs per bundle)****Nominal mass 1000 kg**
Dimensions 940 x 470 x 435

Special High Grade Zinc (SHG) 99.995%

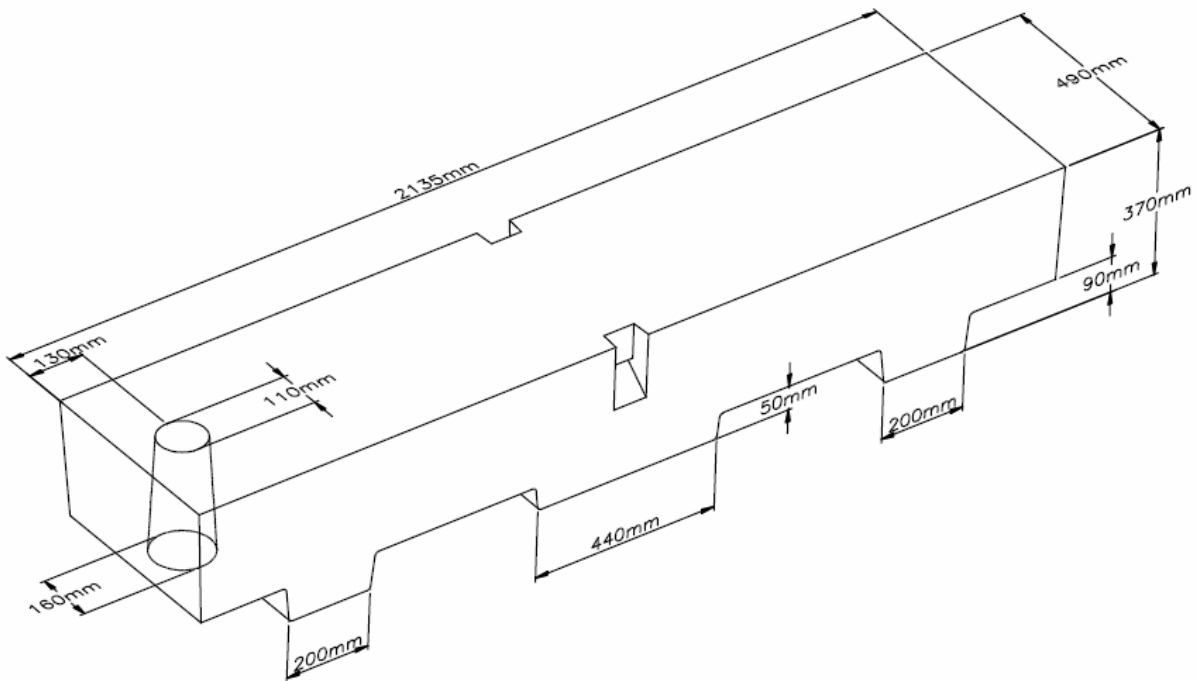
Technical Datasheet

Block (jumbo) 1000 kg**Nominal mass 1000 ± 50 kg**
Dimensions 1054 x 565 x 315**Block (jumbo) 1450 kg****Nominal mass 1450 ± 100 kg**
Dimensions 1532 x 567 x 307

Special High Grade Zinc (SHG) 99.995% Technical Datasheet

Block (jumbo) 1950 kg

Nominal mass 1950 ± 50 kg
Dimensions 2135 x 490 x 370



Block (jumbo) 4000 kg

Nominal mass 4000 ± 200 kg
Dimensions 2380 x 615 x 505

