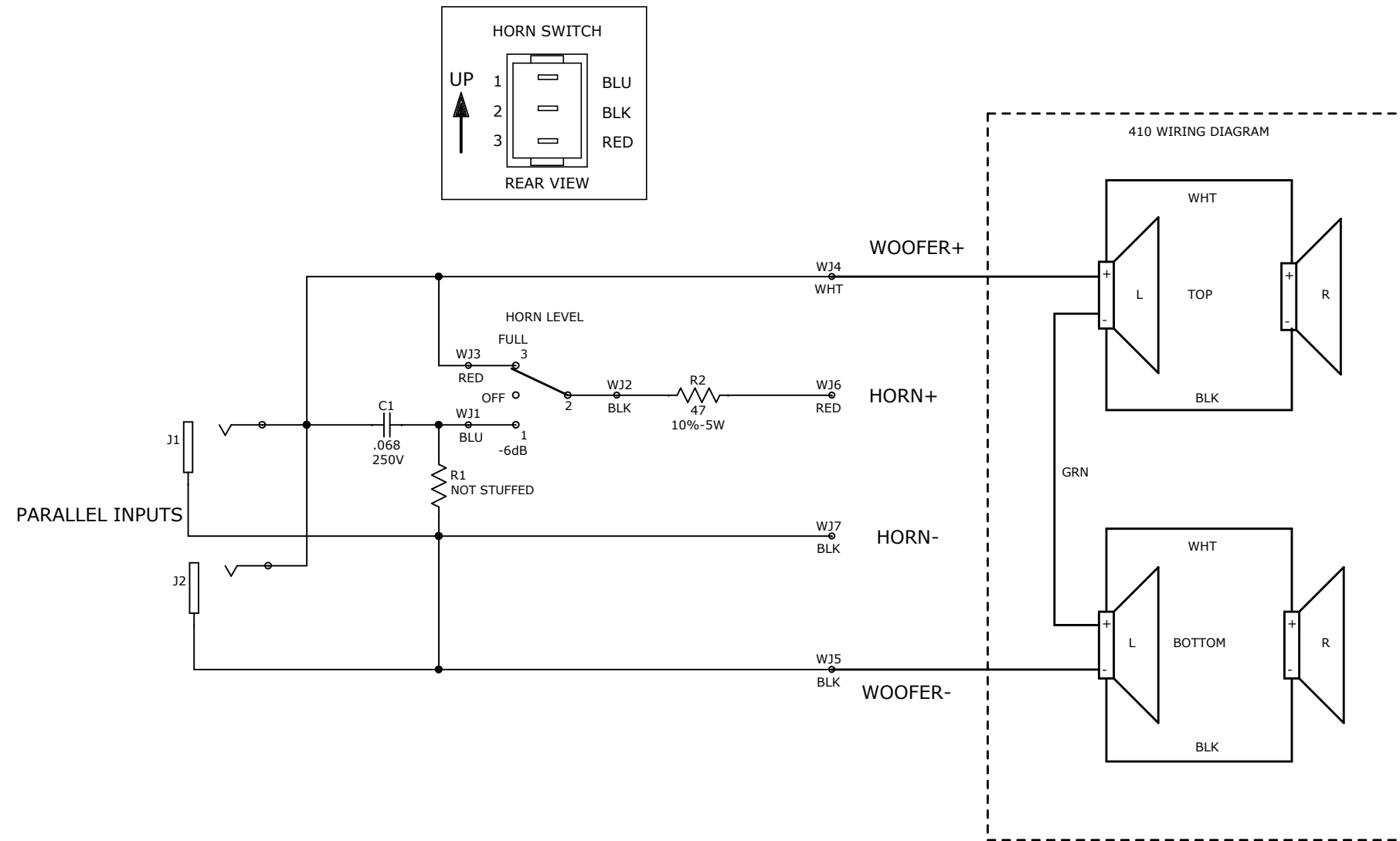


REVISIONS			
REV.	DESCRIPTION	DATE	APPROVED
A	PR854	28-SEP-09	dBL



5. THIS SCHEMATIC IS FOR PCB FABRICATION P/N 854KKI005 AND PCB ASSEMBLY P/N 854KKI004.
4. ALL DIODES ARE 1N4448.
3. ALL POLARIZED CAPACITORS IN μ F, 20%; 50V MINIMUM.
2. ALL UNPOLARIZED CAPACITORS IN μ F, 10% OR BETTER; 50V MINIMUM. (POWER SUPPLY BYPASS CAPACITORS ARE 20%).
1. ALL RESISTORS IN OHMS, 5%; 1/4W.

NOTES: (UNLESS OTHERWISE NOTED)

THIS DOCUMENT CONTAINS INFORMATION OF A PROPRIETARY NATURE TO FENDER MUSICAL INSTRUMENTS AND IS SUBMITTED TO YOU IN CONFIDENCE AND SHALL NOT BE DISCLOSED OR TRANSMITTED TO OTHERS WITHOUT AUTHORIZATION FROM FENDER MUSICAL INSTRUMENTS.

Fender MUSICAL INSTRUMENTS
Corona, CA U.S.A.

CHECKED BY: _____

TITLE: SERVICE DIAGRAM, COMBINED (schematic)
RUMBLE 410
SPEAKER ENCLOSURE INPUT ASSEMBLY

DATE: _____

APPROVED BY: _____

SIZE	DRAWING NUMBER	REV.
B	854KKI009	A

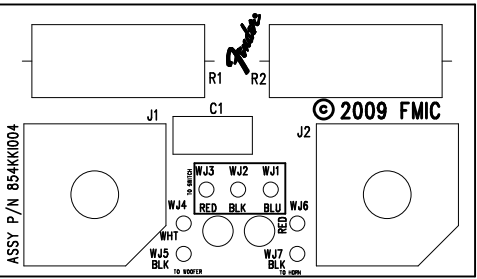
DATE: _____

DRAWN: D. LEWIS ENGR: D. LEWIS

DATABASE FILE: Z854S.SCH


RELEASE DATE: 28-SEP-09 SHEET: 1 OF 2

R E V I S I O N S			
REV.	DESCRIPTION	DATE	APPROVED
A	PR 854	28-SEP-09	dBL



FILM/DWG:	SERVICE DIAGRAM
DATABASE:	Z854P.PCB DATE: 28-SEP-09

1. R1 NOT STUFFED.
 NOTES: (UNLESS OTHERWISE NOTED)

THIS DOCUMENT CONTAINS INFORMATION OF A PROPRIETARY NATURE TO FENDER MUSICAL INSTRUMENTS AND IS SUBMITTED TO YOU IN CONFIDENCE AND SHALL NOT BE DISCLOSED OR TRANSMITTED TO OTHERS WITHOUT AUTHORIZATION FROM FENDER MUSICAL INSTRUMENTS.		 MUSICAL INSTRUMENTS Corona, CA U.S.A.	
CHECKED BY: _____ DATE: _____		TITLE: SERVICE DIAGRAM, COMBINED (PCB assy) RUMBLE 410 SPEAKER ENCLOSURE INPUT ASSEMBLY	
APPROVED BY: _____ DATE: _____		SIZE B	DRAWING NUMBER 854KK1009
DRAWN: D.LEWIS	ENGR: D. LEWIS	RELEASE DATE: 28-SEP-09	REV. A SHEET 2 OF 2
DATABASE FILE: Z854P.PCB			