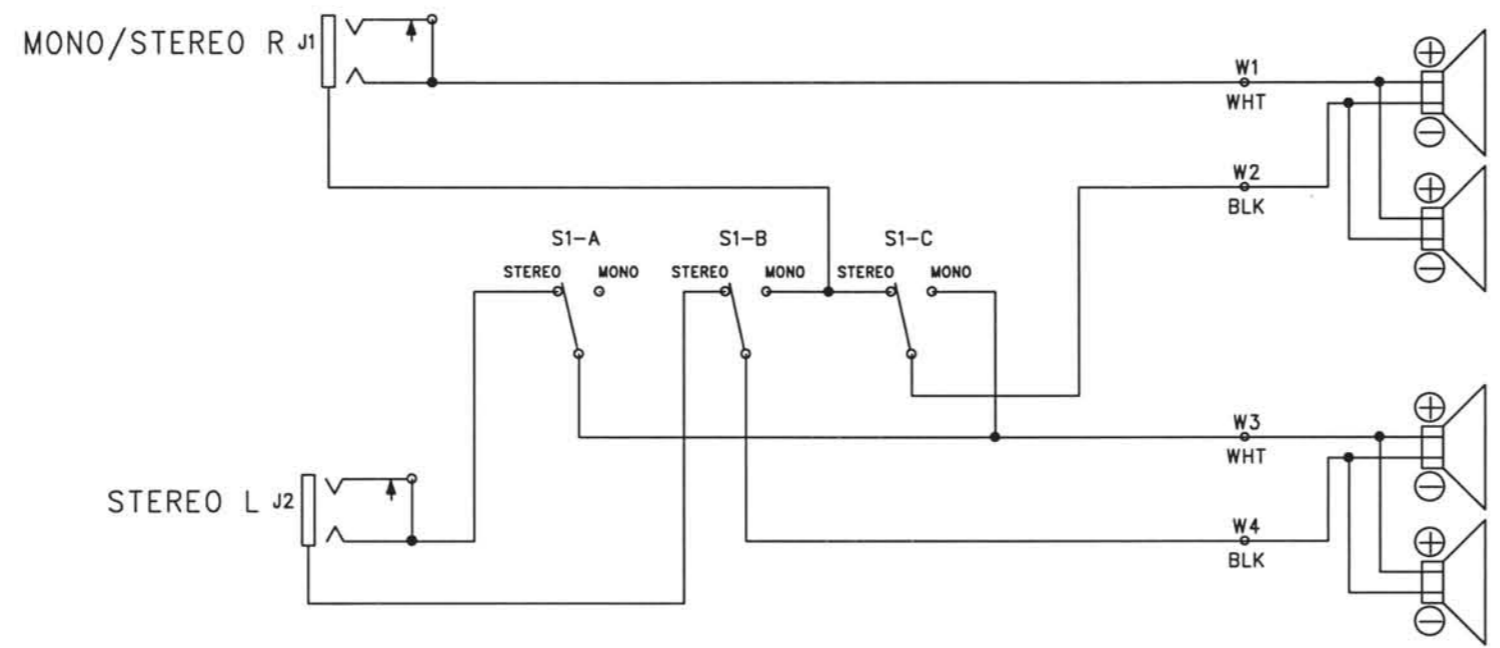



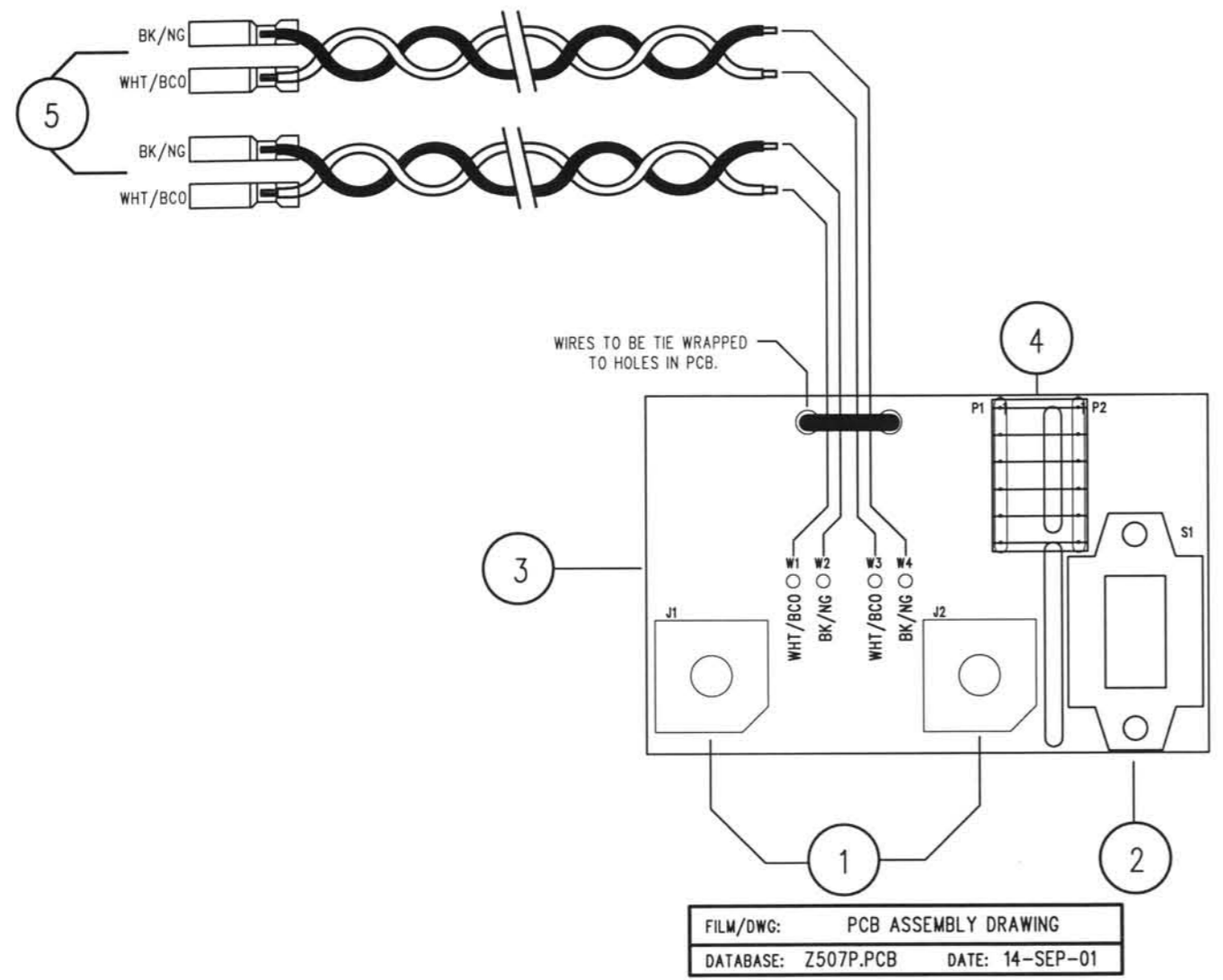
R E V I S I O N S			
REV.	DESCRIPTION	DATE	APPROVED
A	EC2686	14-SEP-01	JKH



NOTES:  
 1. SWITCH SHOWN IN STEREO POSITION.


THIS DOCUMENT CONTAINS INFORMATION OF A PROPRIETARY NATURE TO FENDER MUSICAL INSTRUMENTS AND IS SUBMITTED TO YOU IN CONFIDENCE AND SHALL NOT BE DISCLOSED OR TRANSMITTED TO OTHERS WITHOUT AUTHORIZATION FROM FENDER MUSICAL INSTRUMENTS.		 <b>MUSICAL INSTRUMENTS</b> Corona, CA U.S.A.	
CHECKED BY: <u>B. Pen</u> DATE: <u>18-SEP-01</u>		TITLE: SERVICE DIAGRAM, COMBINED (schematic) SHOWMAN 412S	
APPROVED BY: <u>J. HUBBARD</u> DATE: <u>18 SEP 2001</u>		SIZE <b>B</b>	DRAWING NUMBER <b>0057662000</b>
DRAWN: DON FOX ENGR: J. HUBBARD	DATABASE FILE: Z507S.SCH	RELEASE DATE: 14-SEP-01	REV. <b>A</b> SHEET: 1 OF 1

REVISIONS			
REV.	DESCRIPTION	DATE	APPROVED
A	EC2686	14-SEP-01	JKH



ITEM	QTY	FENDER PART NUMBER	DESCRIPTION
1	2	0027674000	JACK 1/4 PCB 2/CD SCC INSL
2	1	0057756000	SWITCH SLIDE 3PDT LOCKING
3	1	0057660000	PCB FABRICATION SHOWMAN 412S
4	1	0050687000	CABLE JMPR 6 CKT .156 ROUND
5	1	0057762000	WIRE SET PCB SHOWMAN 412S

NOTES: (UNLESS OTHERWISE NOTED)

THIS DOCUMENT CONTAINS INFORMATION OF A PROPRIETARY NATURE TO FENDER MUSICAL INSTRUMENTS AND IS SUBMITTED TO YOU IN CONFIDENCE AND SHALL NOT BE DISCLOSED OR TRANSMITTED TO OTHERS WITHOUT AUTHORIZATION FROM FENDER MUSICAL INSTRUMENTS.		 MUSICAL INSTRUMENTS Corona, CA U.S.A.	
CHECKED BY: <u>Bob Dean</u> DATE: <u>18-SEP-01</u>		TITLE: PCB ASSEMBLY, SHOWMAN 412S	
APPROVED BY: <u>J. HUBBARD</u> DATE: <u>18 SEP 2001</u>		SIZE: <b>B</b>	DRAWING NUMBER: <b>0057661000</b>
DRAWN: DON FOX	ENGR: J. HUBBARD	RELEASE DATE: 14-SEP-01	REV. <b>A</b>
DATABASE FILE: Z507P.PCB		SHEET 1 OF 1	