

# SP SERIES

## MECHANICAL PRESET COUNTER

- REVOLUTION / DIRECT DRIVE TYPE
- LARGE DIGIT DISPLAY (4 or 5 DIGITS)
- 1 PRESET LEVEL
- BUILT-IN MICROSWITCH
- EASY PRESETTING
- RESET BY LEVER STROKE

### ■ MODEL SELECTION

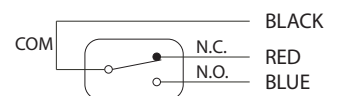
TYPE	DIGITS					
		TYPE I Shaft on right Top Going	TYPE II Shaft on right Top Coming	TYPE III Shaft on left Top Going	TYPE IV Shaft on left Top Coming	TYPE A Shaft at base Anti-clockwise
REVOLUTION (1 count / rev)	4	SP - 14 (I)	SP - 14 (II)	SPL - 14 (III)	SPL - 14 (IV)	SP - 14 A
	5	SP - 15 (I)	SP - 15 (II)	SPL - 15 (III)	SPL - 15 (IV)	SP - 15 A
DIRECT DRIVE (10 counts / rev)	4	SP - 24 (I)	SP - 24 (II)	SPL - 24 (III)	SPL - 24 (IV)	—————
	5	SP - 25 (I)	SP - 25 (II)	SPL - 25 (III)	SPL - 25 (IV)	—————

### ■ SPECIFICATIONS

Display	4 digits : 6.0 x 3.5mm (White on Black Background) 5 digits : 5.5 x 2.6mm (White on Black Background)
Preset Range	4 digits : 1 - 9999 5 digits : 1 - 99999
Input/Count Method	Revolution & Direct Drive : Shaft rotation
Starting Torque	Revolution : 0.034N m (347gf-cm) Direct Drive : 0.063N m (642gf-cm)
Count Speed	Revolution : 3000 revolution / min. max. Direct Drive : 300 revolution / min. max.
Output	Microswitch - Type 1C (AC250V 10A max.) x 2
Reset	Lever
Operating Temperature	-5°C - +40°C (Non-Freezing)
Operating Humidity	85%RH maximum (Non-Condensing)

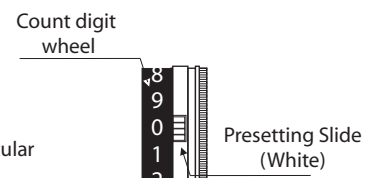
### ■ WIRING

This counter has a built-in Microswitch. The leadwires of these can be seen at the back side of the counter. The diagram on the right shows the corresponding microswitch connection with respect to the leadwire colors.



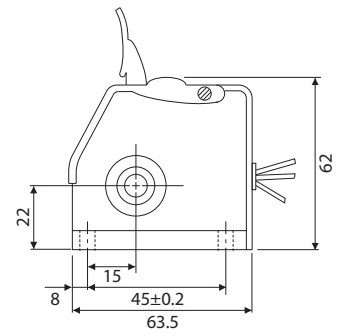
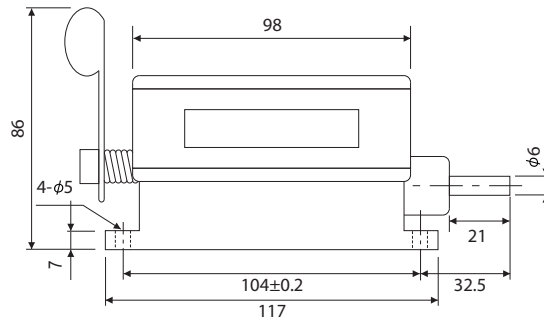
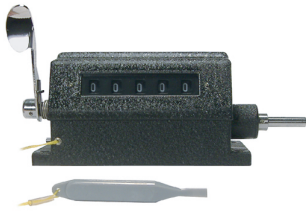
### ■ SETTING THE PRESET VALUE

1. Lift the cover of the counter.
2. While slightly pushing the reset lever, lift the plastic hook on the left most inside of the counter so that it will prevent the reset lever to return fully.
3. To set the preset value, use the included plastic lever to push the white presetting slide of the particular digit to be set.
4. While the white presetting slide is pushed, move the count digit wheel until the desired value for that particular digit is aligned with the white setting slide. Release the plastic lever from the white setting slide. Do the same for the rest of the digits.
5. Make sure that after the release of the plastic lever, the white setting slide is fully locked to the set digit.

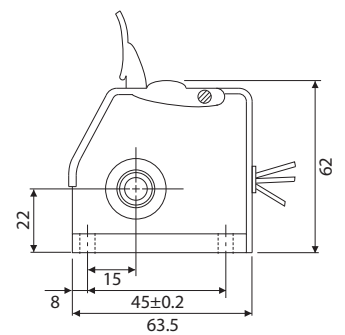
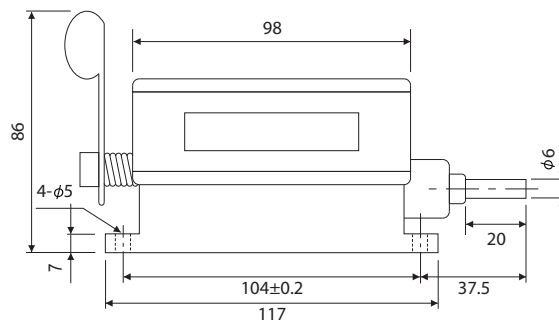
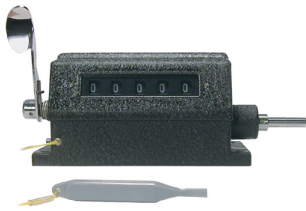


## DIMENSIONS

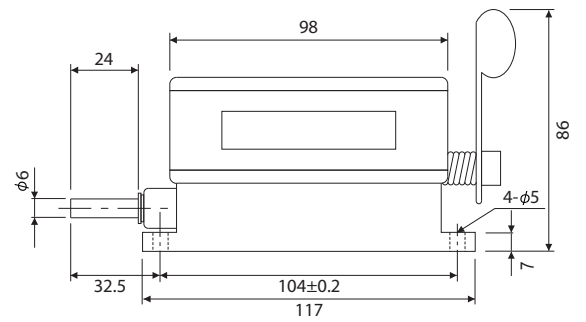
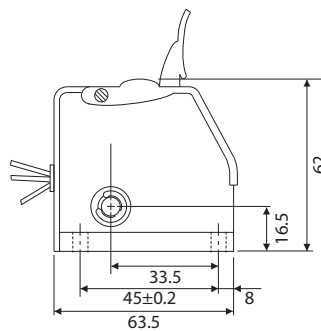
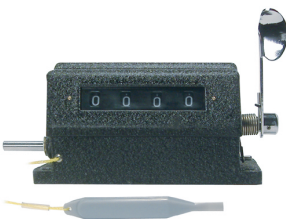
SP-14 (I)  
 SP-14 (II)  
 SP-15 (I)  
 SP-15 (II)



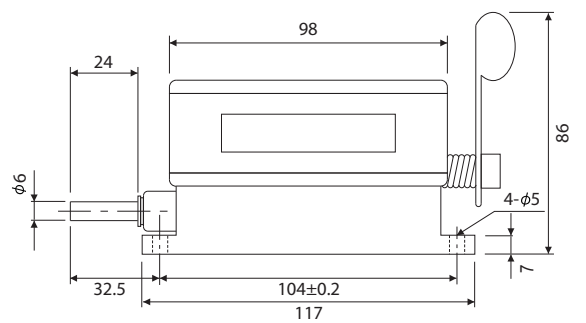
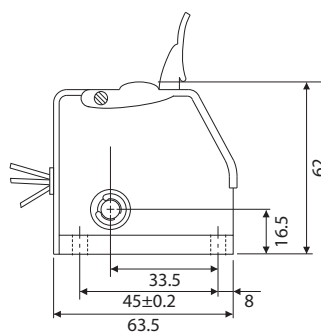
SP-24 (I)  
 SP-24 (II)  
 SP-25 (I)  
 SP-25 (II)



SPL-14 (III)  
 SPL-14 (IV)  
 SPL-15 (III)  
 SPL-15 (IV)

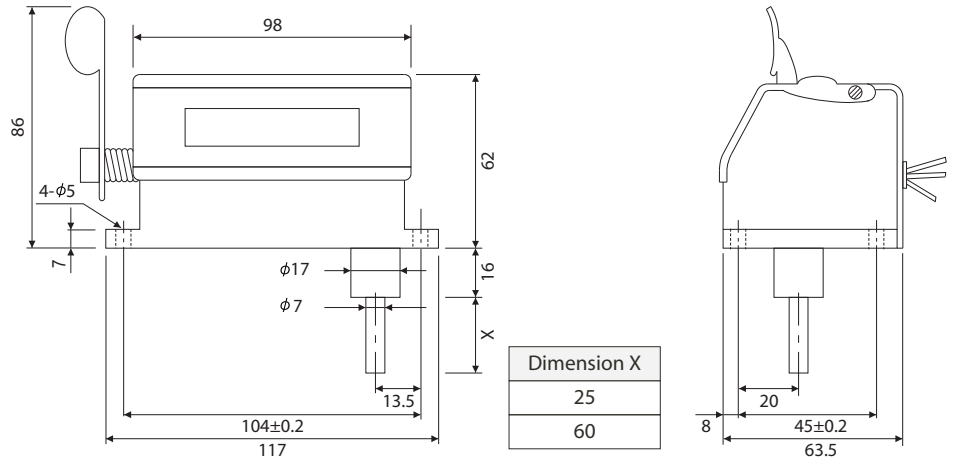


SPL-24 (III)  
 SPL-24 (IV)  
 SPL-25 (III)  
 SPL-25 (IV)



## DIMENSIONS

SP-14A  
SP-15A



This catalog was last revised Jun. 10, 2013.  
\*Subject to change without prior notice.  
All Rights Reserved, Copyright © 2013, LINE SEIKI CO., LTD.



**LINE SEIKI CO., LTD.**

Address : 37-7, Chuo-Cho, 2-Chome, Meguro-ku  
Tokyo 152-0001 JAPAN  
Contacts : Tel: +81-3-3716-5151 Fax: +81-3-3710-4552  
E-mail: webtrade@line.co.jp  
URL : <http://www.lineseiki.com>