

MD Series (Electronic Totalizing Counter)

INSTRUCTION MANUAL



MD - 040
MD - 040M

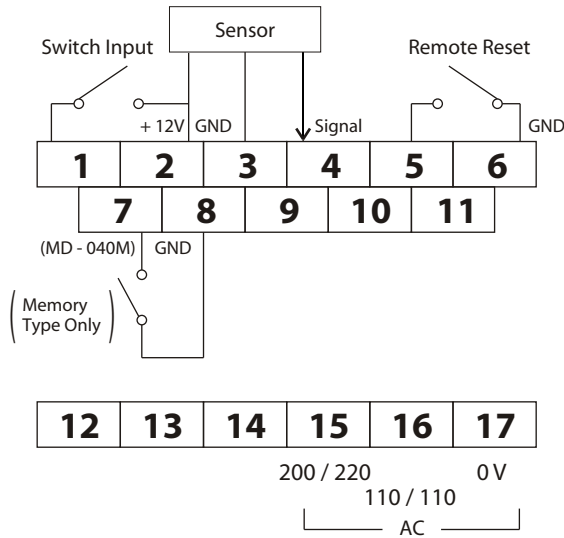
■ FEATURES

- Fits DIN panel opening 72 x 72mm.
- Large, High - brightness LEDs (14.22 x 8.13).
- Use of CMOS LSI.
- Switch or pulse input.
- Built - in power supply module.
- Memory circuit stores count data during power failures.
- Dustproof and Splashproof cover available.

■ SPECIFICATIONS

Specs	Models	MD - 040	MD - 040M
Number of Digits		4	4
LED size		14.22 x 8.13	14.22 x 8.13
Memory		no memory	memory (1000 hours)
Weight		500 grams	510 grams
Operating Temperature		-10°C - +50°C	0°C - +45°C
Operating Humidity		45 - 85% RH	
Display		LED (red)	
Power Supply		100 / 110 VAC, 200 / 220 VAC ±10% convertible, 50/60 Hz	
Count Speed	Pulse Input	: 1,000 cps (maximum)	
	Switch input	: 20 cps (maximum)	
Input	Direct Current	: 4.5 to 27 VDC	
	Proximity - Sensor	: 12 VDC, 30 mA maximum	
	Switch Signal	: Relay, Microswitch, etc.	
External Power Supply		12 VDC Maximum	80mA
Pulse Width	Pulse Input	: 0.5 msec minimum	
	Switch Input	: 25 msec minimum	
Reset	Manual Reset	: 100 msec minimum	
	Remote Reset	: 100 msec minimum	
	Power Reset	: 1 sec minimum	not available
Power Consumption		2.5 VA	

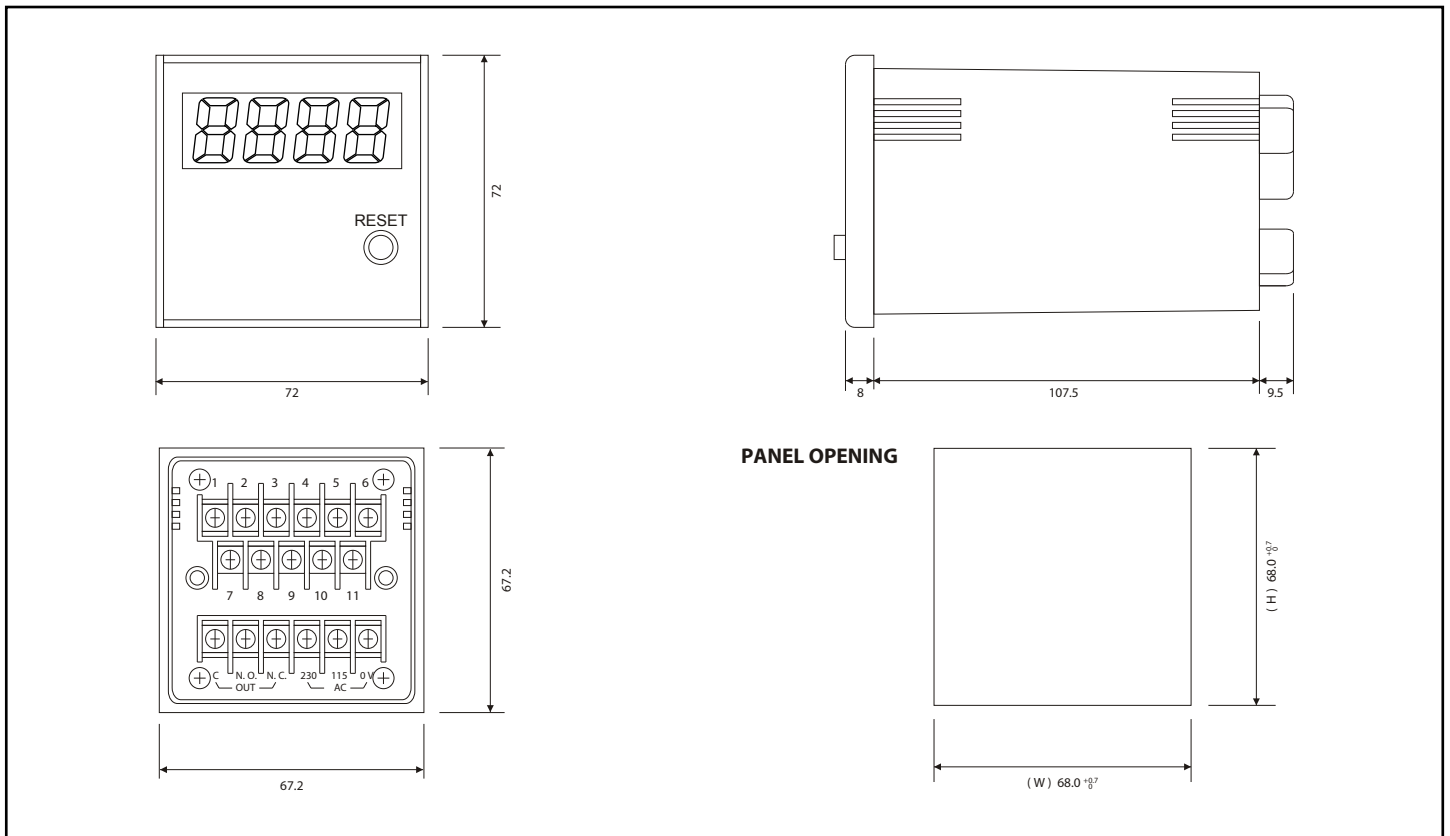
■ CONNECTIONS



* 1. For pulse input (4.5 to 27 VDC), connect the positive and the negative to Terminal ④ and ③, respectively.

* 2. For MD - 040M (model with memory), connect Terminal ⑦ to GND. Disconnect the wiring to prevent battery discharge when the counter is out of service for a long period. Battery is charged whenever power is being supplied.

■ DIMENSIONS - MILLIMETERS



LINE SEIKI CO., LTD

37-7, CHUO-CHO, 2-CHOME
MEGURO-KU, TOKYO
JAPAN 152-0001
TEL: +83-3-3716-5151
FAX: +83-3-3710-4552
E-MAIL: webtrade@line.co.jp
URL: <http://www.line-seiki.com>

This manual was last revised Feb.06,2003.
*Subject to change without prior notice.
All Rights Reserved, Copyright © 2003, LINE SEIKI CO., LTD.