

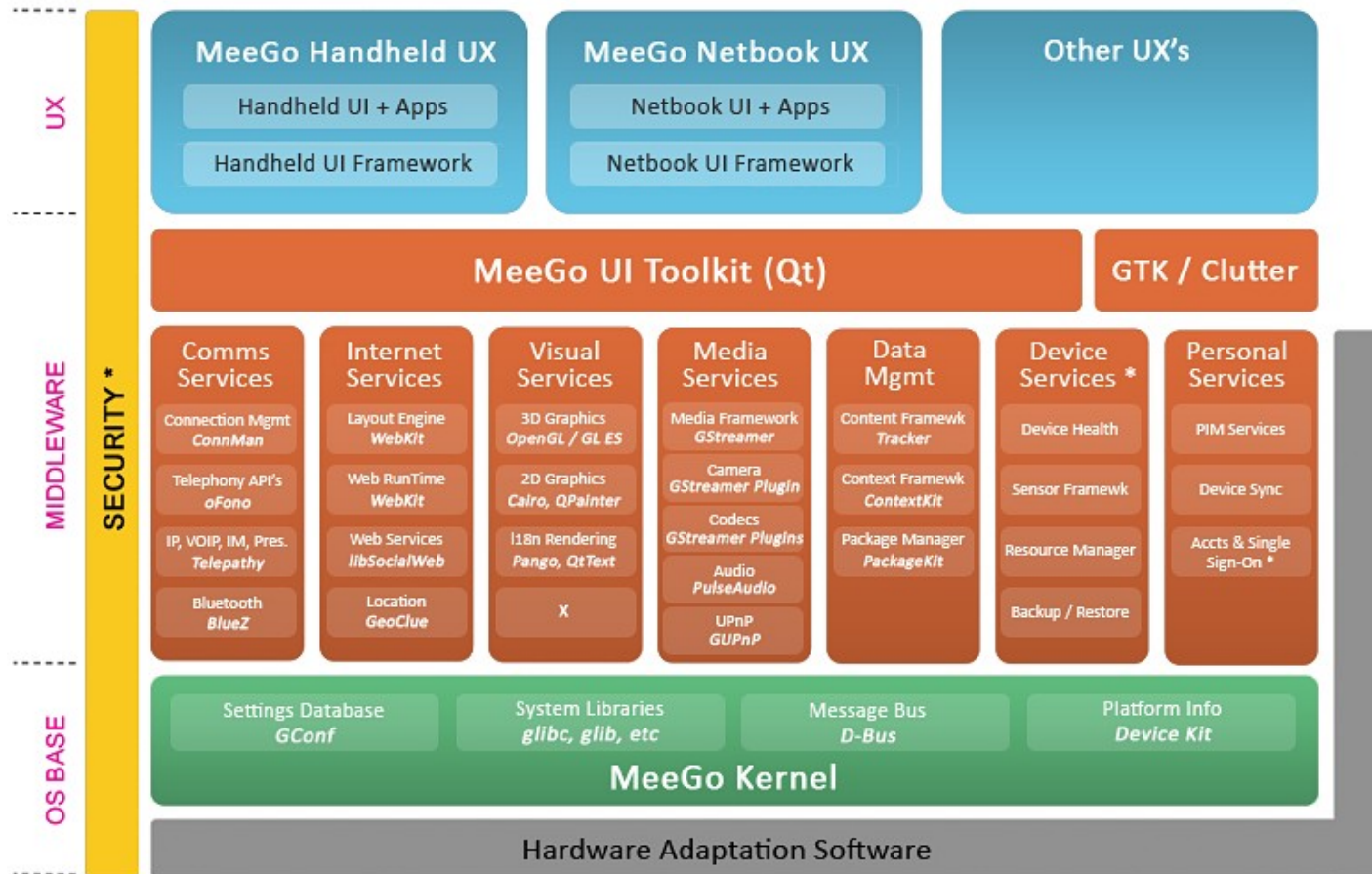


MeeGo connectivity framework

Marcel Holtmann and Denis Kenzior
Open Source Technology Center



MeeGo architecture

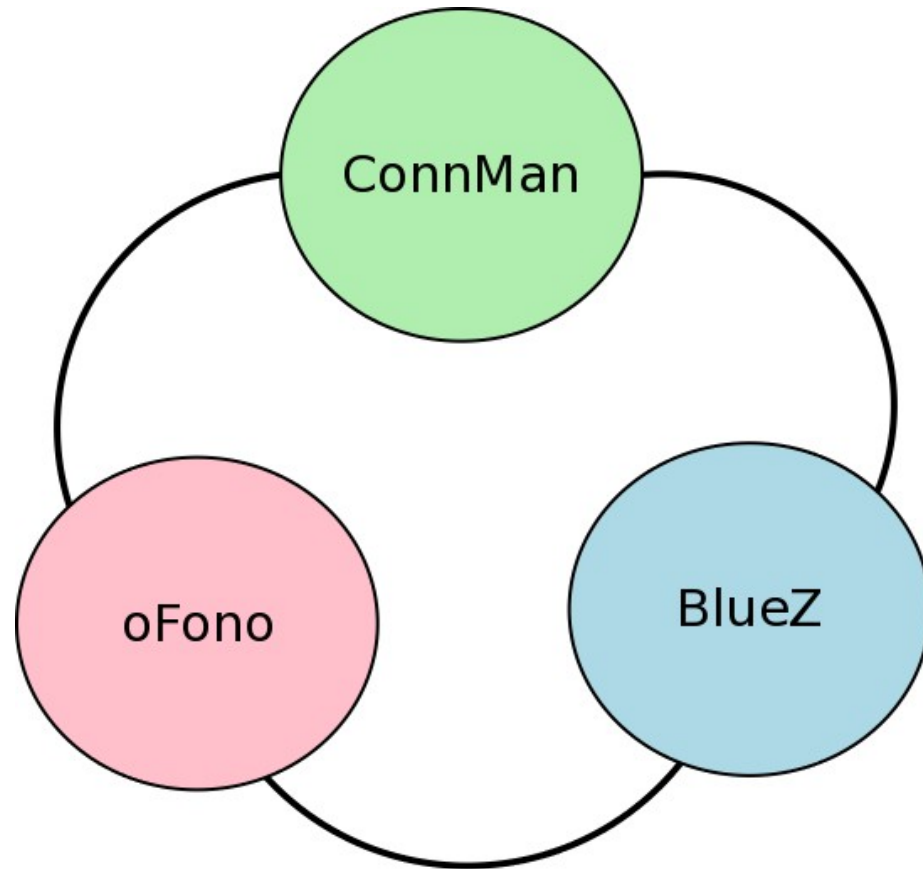


Agenda

- Connection manager
 - Ethernet, WiFi, Bluetooth*, WiMAX, GSM/UMTS and GPS
- Bluetooth stack
 - Audio based profiles, telephony based profiles, network profiles, file transfer profiles etc.
 - High speed and low energy support
- Telephony stack
 - Voice calls, text messaging, network handling etc.



Three cornerstones

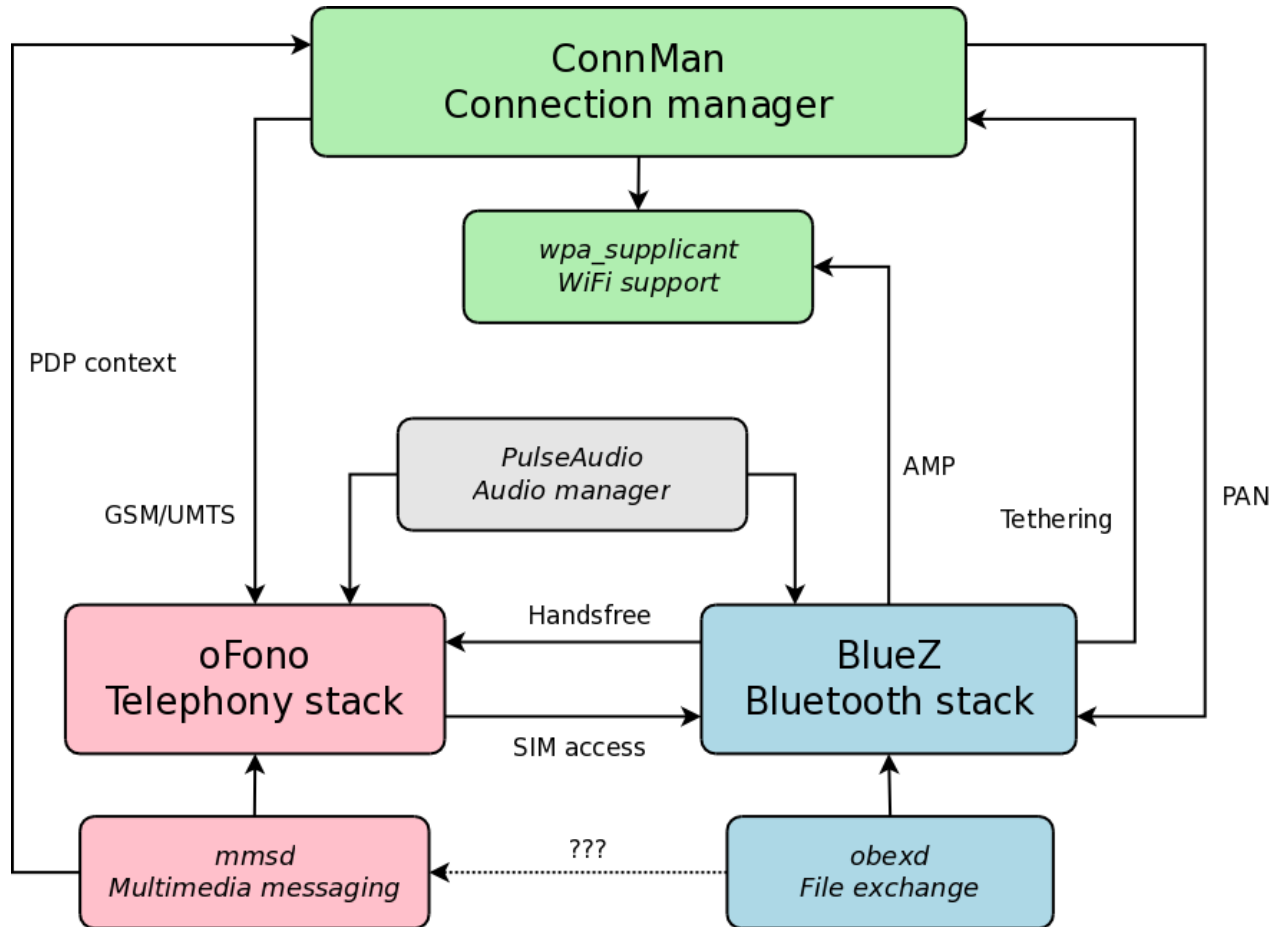


Tight interaction

- Similar user interfaces
- Functionality overlap in the projects
- All three projects rely on each other
- 100% open source software under GPL



Architecture overview

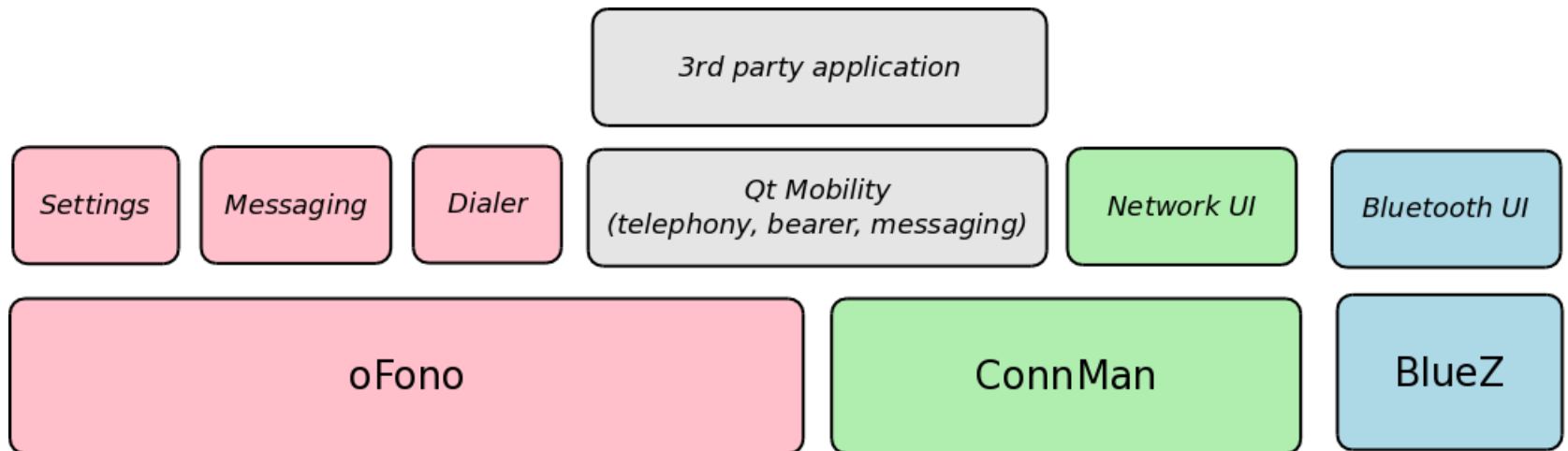


Additional technologies

- Ethernet is handled by ConnMan
- WiMAX support requires Intel® WiMAX stack



Third party applications



Additional ConnMan features

- Flight mode support
- DNS proxy
- Resolver abstraction
- Timeserver framework
- PolicyKit and OSPM support
- Support for VPN and 802.1x

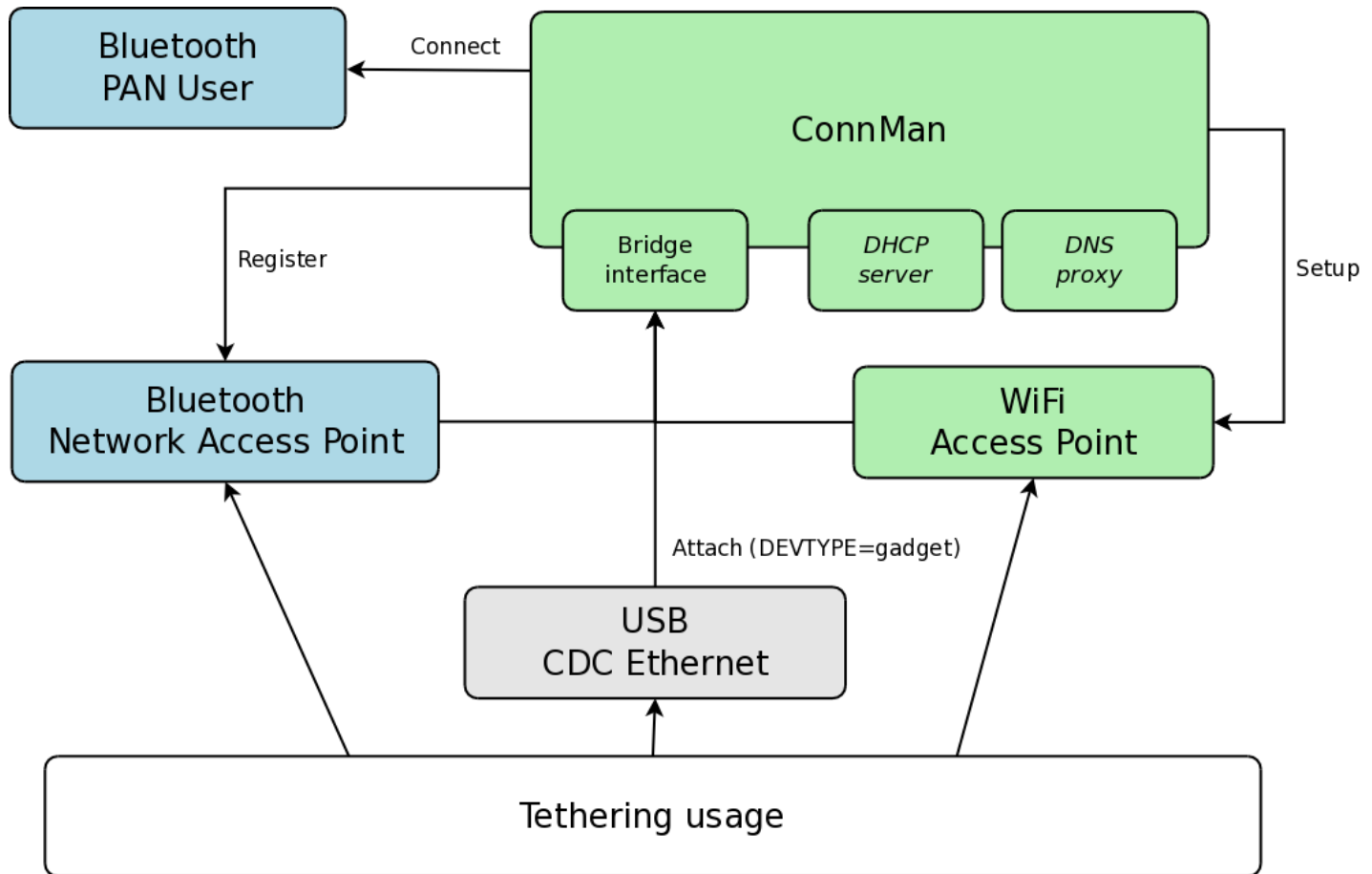


Work in progress features

- Statistics and counter interfaces
- Portal and location detection
- Hotspot roaming
- Integrated DHCP client and server
- Better proxy improvements
- DNS enhancements



Bluetooth / Tethering

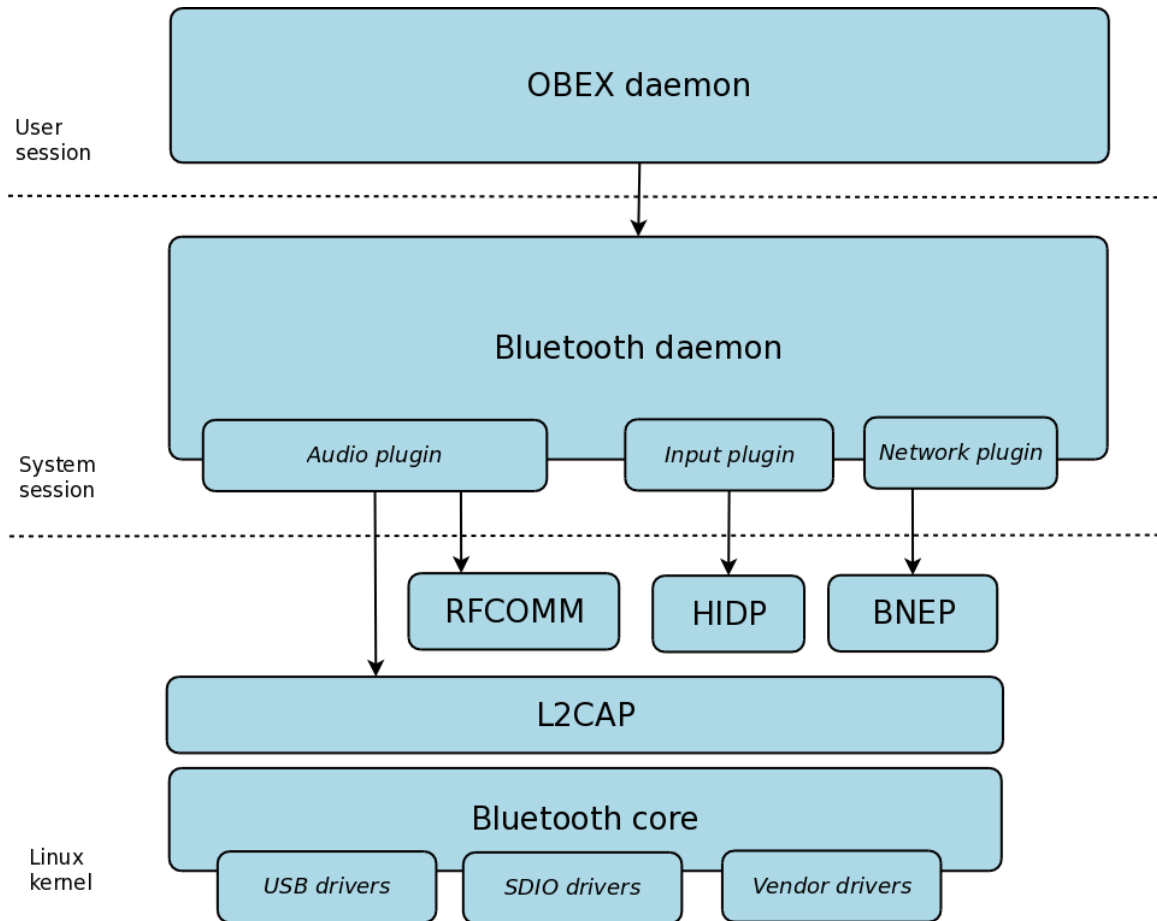


BlueZ features

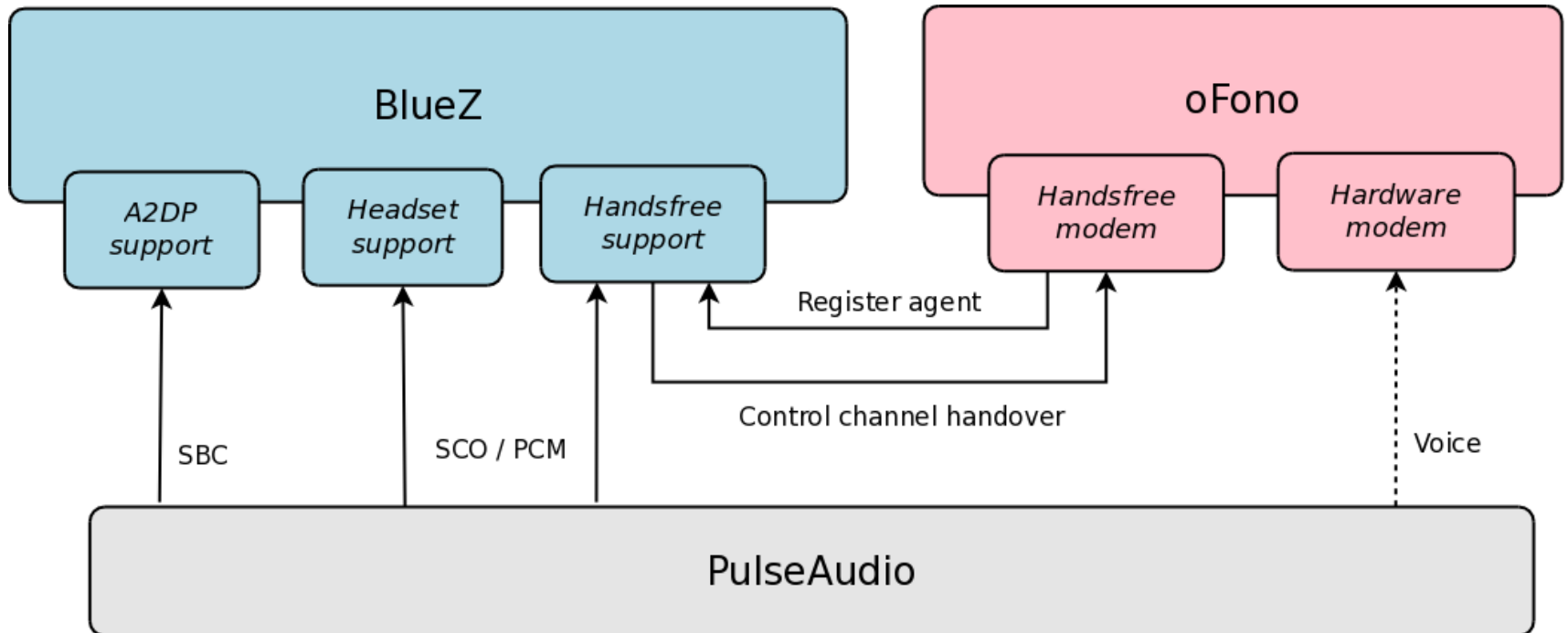
- Bluetooth 2.1 + EDR support
- Support for a wide range of major profiles
- Used in various products (N900, Android)
- Work in progress for high speed and low energy support (Bluetooth 3.0 and 4.0)



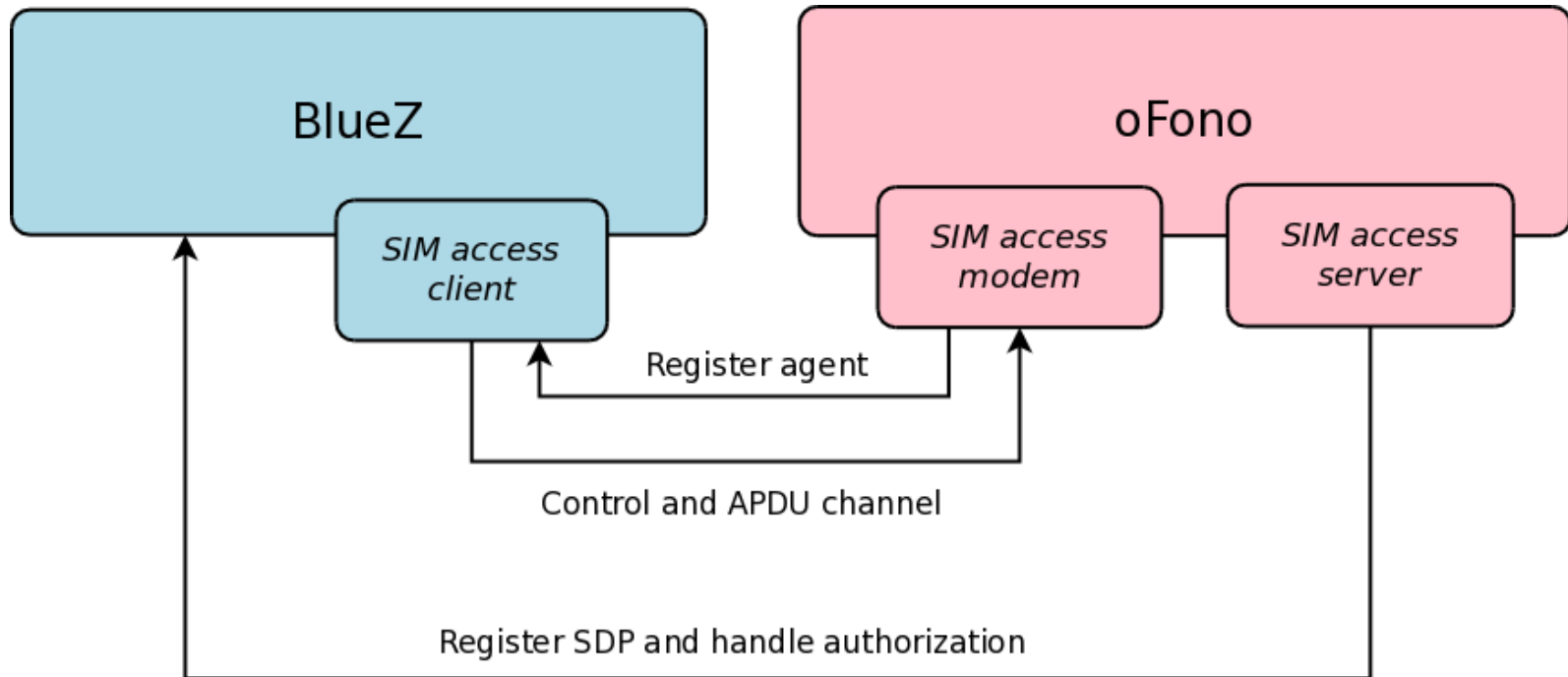
BlueZ architecture



BlueZ / oFono handsfree



SIM access interaction

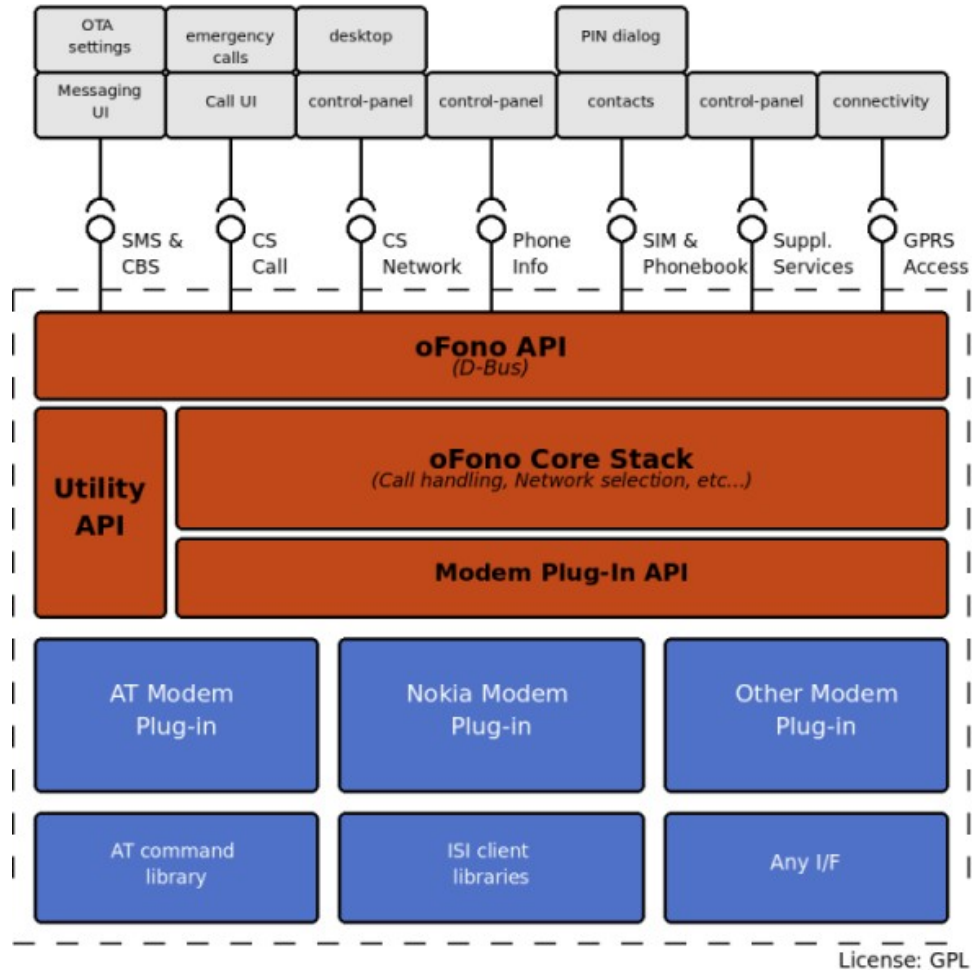


Future Bluetooth work

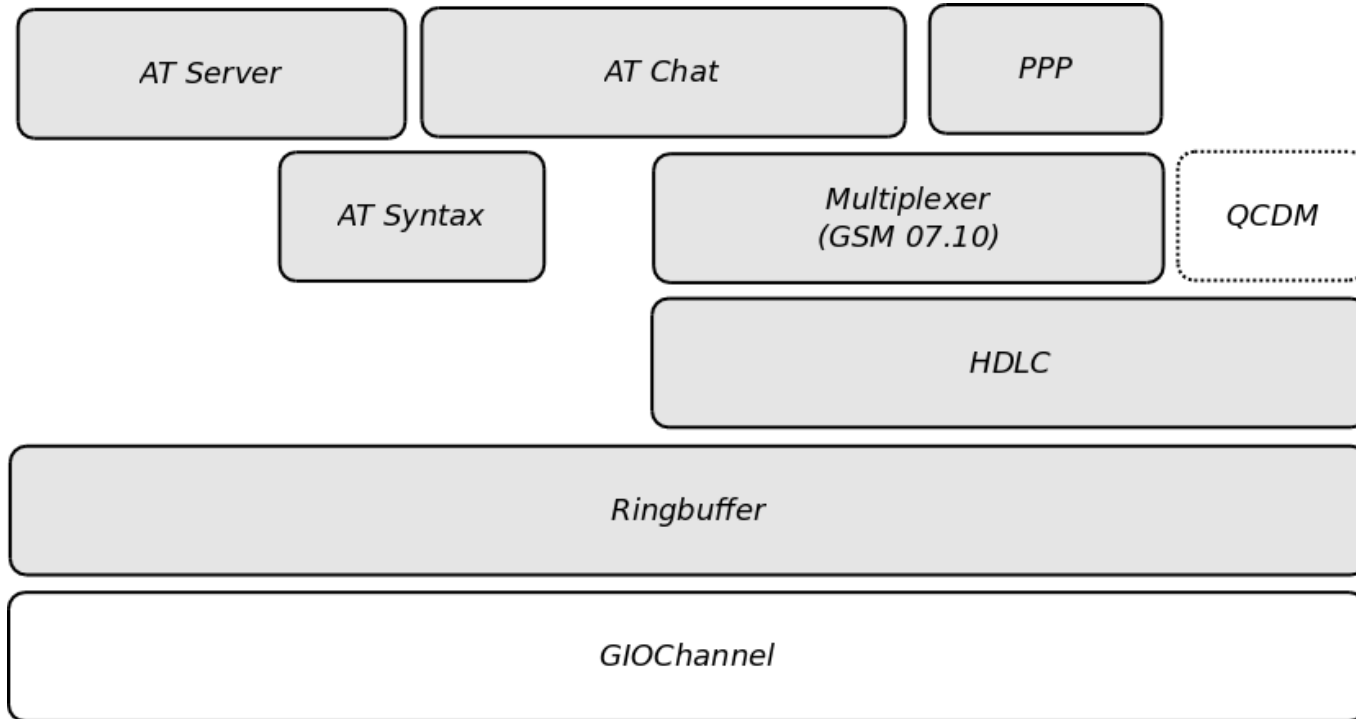
- Message access profile
- Location profile
- Bluetooth low energy support
- Attribute based profiles



oFono architecture

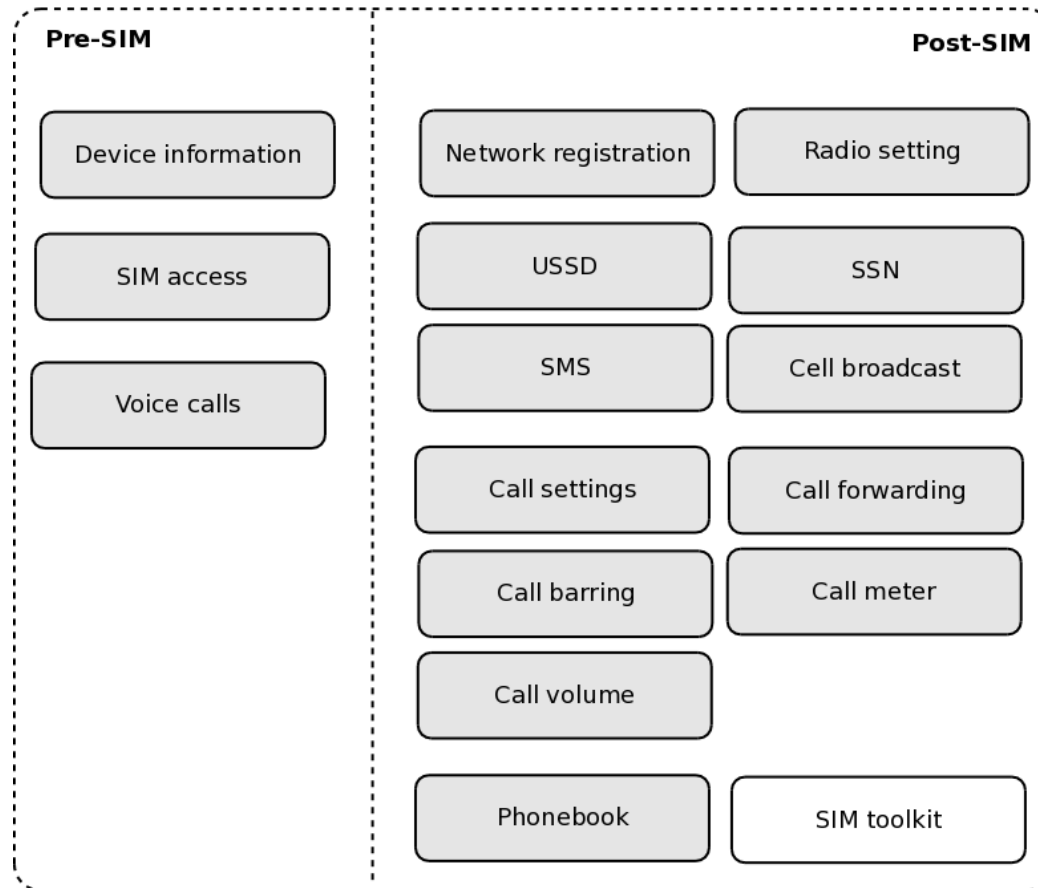


The swiss-army knife

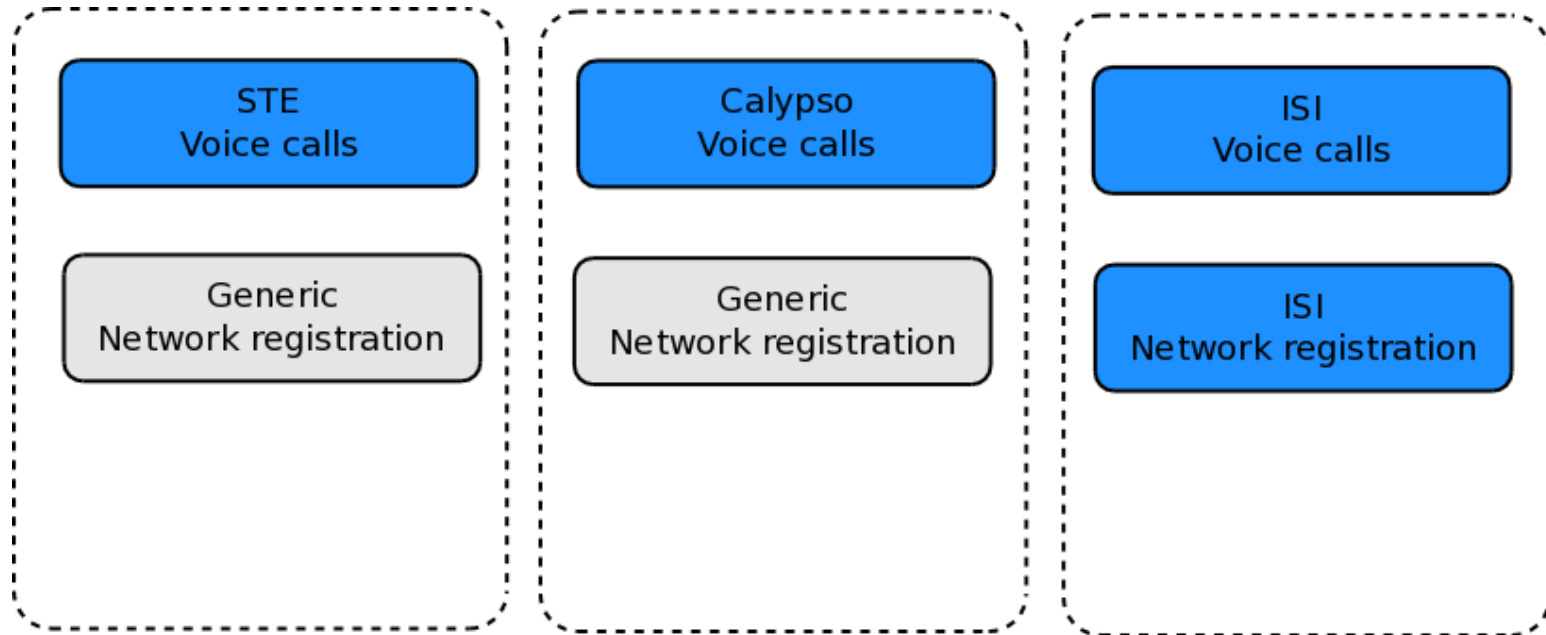


oFono internals

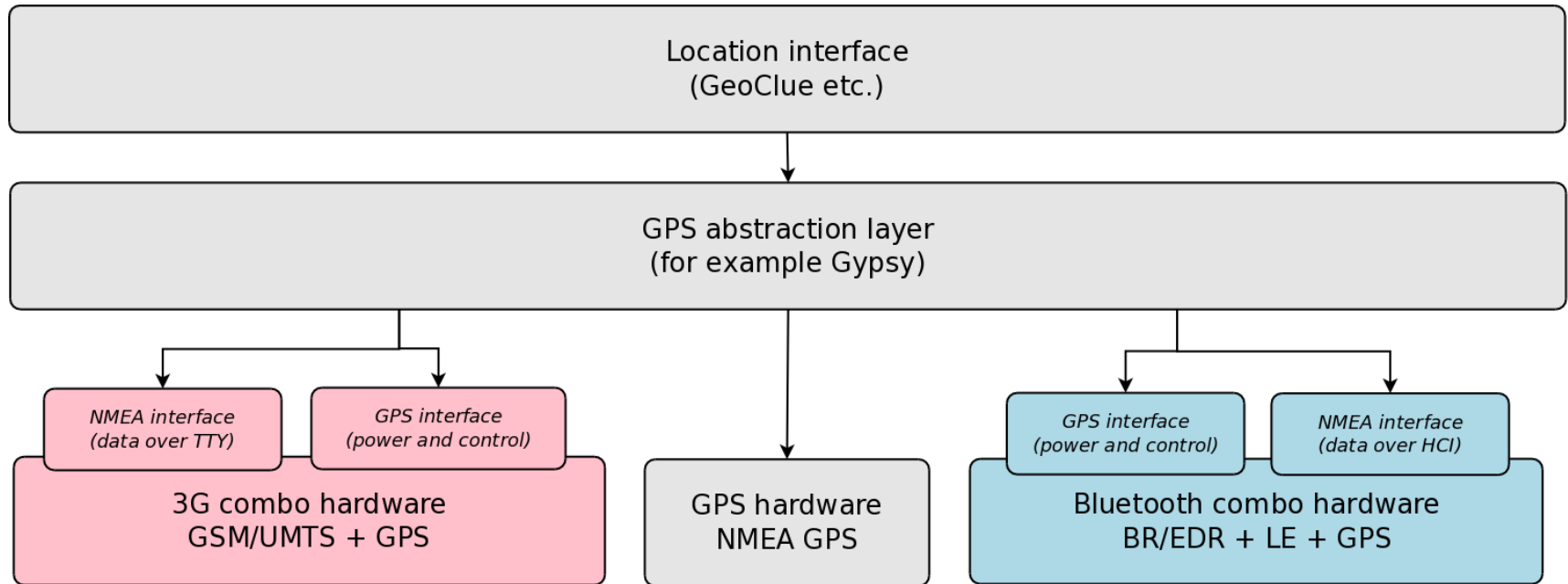
oFono atoms



Atom re-use in modems



GPS overview



Summary

- Well integrated set of daemons for a full connectivity solution
- Support for major telephony, Internet and Bluetooth use cases



Questions?

- Websites

<http://www.bluez.org/>

<http://www.ofono.org/>

<http://www.connman.net/>

- Mailing list

linux-bluetooth@vger.kernel.org

ofono@ofono.org

connman@connman.net

- #bluez #ofono #connman on freenode.net



Legal information

INFORMATION IN THIS DOCUMENT IS PROVIDED IN CONNECTION WITH INTEL® PRODUCTS. EXCEPT AS PROVIDED IN INTEL'S TERMS AND CONDITIONS OF SALE FOR SUCH PRODUCTS, INTEL ASSUMES NO LIABILITY WHATSOEVER, AND INTEL DISCLAIMS ANY EXPRESS OR IMPLIED WARRANTY RELATING TO SALE AND/OR USE OF INTEL PRODUCTS, INCLUDING LIABILITY OR WARRANTIES RELATING TO FITNESS FOR A PARTICULAR PURPOSE, MERCHANTABILITY, OR INFRINGEMENT OF ANY PATENT, COPYRIGHT, OR OTHER INTELLECTUAL PROPERTY RIGHT.

Intel may make changes to specifications, product descriptions, and plans at any time, without notice.

All dates provided are subject to change without notice.

Intel is a trademark of Intel Corporation in the U.S. and other countries.

*Other names and brands may be claimed as the property of others.

Copyright © 2009-2010, Intel Corporation. All rights are protected.



