



NUE-PSK Digital Modem

Operating Manual

(For software version 4)



*The **NUE-PSK Digital Modem** is a standalone, battery-operated digital modem using Microchip dsPIC technology. Weighing about 12 ounces and requiring only 60ma at 12V DC, the modem is easily taken to the field. For easy visibility in high or low ambient light, the NUE-PSK modem's backlit graphic LCD displays transmit and receive text data, as well as band spectrum and tuning indicator. When coupled with a standard PS2 or USB keyboard and an SSB-capable transceiver, you can have an effective portable digital mode station for PSK31, RTTY and CW modes. Optional internal USB card provides for saving QSO text files, easy software updates, and real time clock.*

CONTENTS

| | |
|--|----|
| 1) Introduction | 4 |
| 2) Connections | 4 |
| 3) Specifications | 5 |
| 4) Power | 6 |
| 5) Signal Connections | 6 |
| 6) Keyboard | 6 |
| 7) Operation | 7 |
| 8) RTTY Operating Details | 8 |
| 9) Using the “Download Config” and “Upload Config” Features | 10 |
| 10) Real Time Clock Calendar (RTCC)..... | 15 |
| 12) Macros | 15 |
| 13) Configuration Menu | 17 |
| 14) Updating Modem Software | 20 |
| 15) Capabilities and usage of the optional internal USB Card | 22 |
| 16) Tips & Techniques, and “Things to Watch Out For” | 25 |
| 17) Technical Support..... | 27 |
| Appendix A: The Radio Cable | 28 |
| Appendix B: Modem Schematic | 29 |
| Appendix C: Optional USB+RTCC Card Schematic (rev B1)..... | 30 |
| Appendix D: Optional USB+RTCC Card Schematic (rev A, A3 and A4)..... | 31 |

CW MODE OPERATING SECTION..... 31

| | |
|---|----|
| 18) Introduction to CW Mode | 33 |
| 19) General Description | 34 |
| 20) Functional Description..... | 37 |
| 21) Configuration | 47 |
| 22) Other V4.x Changes..... | 47 |
| Appendix E: CW Code/Character Conversion Table | 53 |
| Appendix F: New Configuration Options and Hot Keys..... | 55 |
| Appendix G: Recognized Prosigns..... | 57 |

| | |
|-----------------------------------|----|
| Appendix H: EEPROM Contents | 58 |
| Appendix I: CONFIG.TXT | 60 |
| Appendix J: Hot Key Map | 62 |

| | |
|--|-----------|
| RTCC OPERATING SECTION..... | 62 |
| 23) Introduction to the Real Time Clock Calendar Option..... | 63 |
| 24) General Description | 63 |
| 25) Functional Description..... | 63 |

VERSION HISTORY

The version number of this manual corresponds to the software version running in the modem, which is displayed in the display's "splash screen" when the modem is initially turned on. (The small letter after the version number in the splash screen differentiates minor fixes for the specific version.)

ver 1.15 – Initial production release.

ver 1.20 – Improved speed tuning, F10 for Tx mode, Ctrl-S char, backspace and CWID fixes, and improved displaying/saving/loading of configurable modem settings.

ver 1.30 – Initial support for the optional USB add-on hardware and improved text entry keyboard sequences and commands.

ver 1.33 – Full USB support adds PC Bootload and Flash Bootload capabilities.

ver 1.34 – Beacon Operating Mode added.

ver 2.10 – RTTY Operating Mode added.

ver 2.33 – Added: Upload / Download Config, spectral display improvements, Beacon Counter.

ver 3.00 – Added: Real Time Clock Calendar feature (RTCC).

Ver 4.00 – Added: CW Operating Mode

1) Introduction

PSK31 is one of the latest communications modes to capture the interest of hams worldwide. Its inherent ability to dig out weak, nearly-inaudible signals is ideally suited for low power QRP enthusiasts. The PSK31 digital modem engine, however, requires intense DSP processing that is only commonly available in PC sound card. Thus the PSK operator desiring portability for field operation is locked into using a laptop computer as a controller, which results in a cumbersome station. But there's hope!

The NUE-PSK Digital Modem offers a unique way for hams to get on the air using the digital modes. No PC is required, thus enabling one to communicate using PSK31. This self-contained, hand-held modem connects to your SSB transceiver and allows you send and receive text data using the PSK31 digital mode.

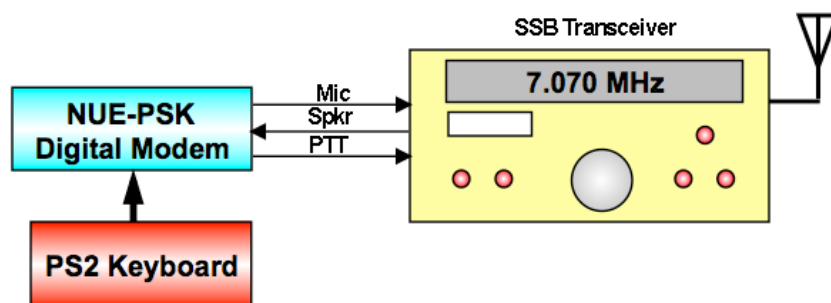
PSK31 is actually one of many modulation techniques within the "phase shift keying" family of communication. PSK31 operates at 31.25 bits/second, while other speeds may be achieved using variations to the software algorithm. PSK is perhaps more accurately termed BPSK, for bi-phase shift keying, whereby two distinct phase states separated by 180 degrees are used to convey the information. Four states may also be encoded/decoded, as is done with QPSK (quad-phase shift keying), in order to provide higher speeds with greater error correction ability.

The NUE-PSK digital modem can currently support the digital modes of BPSK and QPSK, and now also support RTTY. The modem may soon support other modes such as MSFK and even CW. In fact, the field updating capability – that is, the ability to download new/improved programs from the Internet and simply program them into the modem –allows users to stay current with new features and modes for years to come!

2) Connections

Ideally, you just need to use two cables:

- a) Connect the modem's "radio" cable to the "data" jack on the back of your SSB transceiver. Most radio manufacturers today provide this way for getting audio modulated tones to/from the rig.
- b) Connect a standard PS2 keyboard, or a PS2/USB combination keyboard, to the "Kbd" jack on the modem.



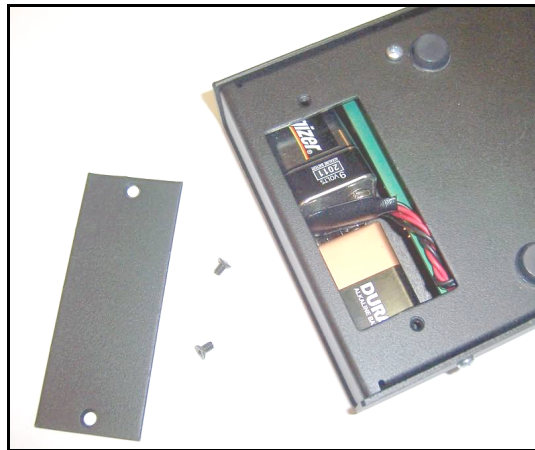
You are now ready to rock 'n roll using the digital modes ... read on and enjoy!

3) Specifications

- > Standalone, half-duplex modulator/demodulator for amateur radio digital mode communications
- > Handheld unit ... no PC required
- > Menus select operating modes, Squelch Thresh, PGA Gain, CW ID, Beacon, more
- > 128 x 64 pixel graphic LCD displays audio signal spectrum 500 Hz to 2.5 kHz (with backlight)
- > Tx and Rx buffers and menu system displayed in lower half of LCD using four 20-character lines of text
- > "Tune" dial controls modem position along audio spectrum
- > Modes currently supported: BPSK31, QPSK, QPSK reversed, and RTTY
- > External keyboard jack: 6-pin mini-DIN, PS2-compatible
- > Standard PS2-style or dual-mode USB/PS2 keyboard (user-supplied) provides text input for Tx entry, command/mode selection and modem frequency adjustment
- > Connection to SSB transceiver: 8-pin mini-DIN (audio in, audio out, PTT, power)
- > Powered by two internal 9V batteries (not included) or an externally-applied supply via 2.1mm coaxial jack
- > Power requirements: 9-18V DC. Current at 12V is 60 ma without backlight, 80 mA with backlight. The current decreases as input supply voltage is increased.
- > Field reprogrammability of internal microcontroller allows software updating in the field by the owner
- > Aluminum enclosure provides for rugged portable use while shielding transceiver from digital EMI
- > Enclosure dimensions: 7" x 4" x 1"
- > Single 3.75" x 5.25" pc board contains all components and connectors
- > Lightweight: < 1 lb with batteries.
- > "Tx Audio" control for precise audio level control to transceiver
- > Cable assembly provided (plug and shielded cable) for connection to the SSB transceiver
- > Optional USB plug-in card provides ability to Record QSO text and save to USB flash memory device. The USB port also can be used for easy software upgrades. The USB option includes an independently powered Real Time Clock Calendar.
- > Beacon Mode provides auto-repeating message buffer for far-signal measurement experiments.

4) Power

Install two standard 9V alkaline batteries in the battery compartment, or connect an external 9-to-18 volt supply to the coaxial power connector (2.1mm) on the right end of the modem. The two 9V alkaline batteries nestle tightly against the pc board in the compartment. One battery lies flat and over to one side in the compartment, with the other battery sitting up at an angle with its connector overlapped with that of the first. The screw-on cover holds them firmly in place.



Use of internal batteries is not possible when optional USB card is in place.

5) Signal Connections

Install a connector(s) to the unterminated end of the cable provided with the modem. Most modern HF rigs have a mini-DIN Data or AUX connector which provides for PTT, fixed level audio from the receiver (independent of the volume control on the rig), and a line-level (approx 100mv rms) audio input to the transmitter. On the Yaesu FT-817/857/897 this connector is a 6-pin mini-DIN. On many Kenwood HF rigs there are 6-pin and 13 pin mini-DIN connectors that may be used. See Appendix A for wiring details. See the website Ordering page for a list of pre-assembled modem cables accommodating over 50 different rigs.

6) Keyboard

The modem requires an AT/PS2 style keyboard for character entry. The keyboard also provides for entry and playback of macros. Connect the keyboard to the 6-pin mini-DIN connector on the right-hand side of the modem. A USB keyboard may be used if it has built-in PS2 support. Most USB keyboards that are sold with a USB-to-PS2 adapter will work using this adapter.

7) Operation

Once you have the cable between the modem and the rig connected, keyboard attached, and power available, you are ready to operate. But first, some additional setup may also be desired, as described next.

Turn on the modem. If the cabling between the rig and modem is wired correctly, you should see evidence of signals and/or noise on the top half of the display (the spectrum area). Tune your rig to one of the PSK sub-bands. These are typically 70-to-74 kHz above the lower band edge on 40 and 20 meters. If there is digital activity on the band, you should see peaks on the graphic display. The horizontal location of the peaks corresponds to the audio frequency of each signal relative to the tuned frequency of the rig. For example, if the rig is tuned to 14070 kHz, the display shows audio frequencies from 500 Hz to 2500 Hz, or actual RF frequencies from 14070.5-to-14072.5 kHz.

Now for the fun ... **tuning!** Turn the “Tune” dial clockwise, or counterclockwise, to move the cursor to a higher or lower frequency. The cursor is the small triangular icon just below the spectrum display. The audio frequency is displayed when turning the dial. Try to align the cursor with one of the peaks on the display. Don’t worry if it is not exactly aligned. Once close to the peak, stop turning the encoder. The modem now attempts to “lock” onto the signal and fine-tune the frequency if needed. If the modem is able to lock onto a PSK signal, it will very shortly begin decoding the signal, and then display characters on the screen. The time it takes for decoded characters to appear depends on the ability of the modem to estimate the center frequency of the incoming signal and the signal to noise ratio. Tuning can also be done by using the arrow keys on the keyboard. The right and left arrow keys provide finer tuning, while the up and down arrow keys provide faster tuning. The tuning rate of the encoder on the modem can also be selected from a menu setting. Note: When tuning in receive mode, the spectral display is frozen - this is intentional.

Now on to **setup for transmission.** If you have a dummy load for your rig, connect it now.

Since PSK signals generated by the modem contain simultaneous multiple frequencies (over a very narrow bandwidth), it is imperative that the audio output from the modem not overdrive the input to the rig; otherwise very poor signal quality will result. To facilitate setting the audio drive to the rig, a potentiometer on the modem may be used to adjust the level. In addition, the modem includes provision for “measuring” the position of the potentiometer so that it can be easily reset to the same setting in the future. More on this later.

We have found that the best way to set up for PSK operation is to initially set up the transceiver for normal SSB operation, including whatever power setting you usually employ. For example, if you have a 100 watt PEP rig, set it up for 100 watts on SSB.

Switch to Digital mode if your rig provides that option; otherwise retain the SSB mode.

Then press F8 on the keyboard. This places the modem in the TUNE state, which is denoted by “TUNE” at the top left of the display. The modem is now generating a continuous single tone, which is fed to the audio input of the rig. The PTT signal from

the modem should also cause the transceiver to switch to Transmit. At this point, the “Tx Audio” control on the modem just to the right of the display can be adjusted to set the power level of the transceiver. A transmit power of 15%-to-40% of the rig’s rated power is recommended. (That is, 15-to-40 Watts with a 100 Watt rig). Keeping the power at this level does two things. First, it minimizes distortion due to clipping. Second, it avoids excessive heating in the rig finals since PSK is a 100% duty cycle mode. A power meter is very handy for making this setting. Once the Tx Audio control has been set, press F8 again to return to RECEIVE mode.

You should now be ready for transmitting PSK.

Pressing F10 will place the modem in TRANSMIT mode, but with a PSK idle tone being generated, unlike the single tone used in TUNE. If you are ready to give it a try, Press F10. At this point anything that you type on the keyboard will be converted into Varicode characters and transmitted using PSK modulation. Pressing F10 again, will toggle back to RECEIVE. When in TRANSMIT mode, “TX” will appear at the top left of the display.

8) RTTY Operating Details

Starting with software version 2.10, the NUE-PSK Digital Modem is now able support full RTTY transmit and receive. Use of the modem for this older-yet-still-popular digital mode is very similar to the other modes we support (PSK, QPSK), and is great for long ragchews, sending “brag files” describing equipment, and contesting. Decoding sensitivity is a bit less than with PSK31 (a mode that has been optimized for low power operation), but tuning in someone calling CQ is a bit easier and some people say there are more RTTY-capable hams around for potential contact, continuing the age-old enjoyment of the hobby.

We are initially supporting 45 baud operation with 170 Hz shift between mark and space frequencies, which classically tends to characterize the majority of RTTY use over the years – especially with the older and original TTY equipment. We also simplify the upper/lower sideband confusion that can exist these days by allowing the user to flip the order of the mark and space frequencies, thus accommodating a variety of users over all the bands.

RTTY Specs:

- 45 Baud, 170 Hz shift. (Other speeds and shifts may be supported later.)
- Normal operating convention is to use USB for RTTY. In the event that the station that you are attempting to connect with is instead using LSB, you may “reverse” the Mark and Space frequencies to allow this “cross-mode” connection.
- Normal mode, with the lower Mark frequency, is indicated by an N in the upper right corner of the LCD.
- Reverse mode, with the higher Mark frequency, is indicated by an R in the upper right corner of the LCD.

- Normal and Reverse may be toggled by typing Ctrl-R while the modem is in Receive mode. Typical usage of this toggling is to help the modem decode when the transmitter is on a different sideband.
- Generally, Normal mode is used when both transmitting and receiving stations are on the same sideband. (USB-USB or LSB-LSB.) When the stations are on different sidebands (USB-LSB or LSB-USB), type Ctrl-R to toggle to Reverse mode in order to enable proper transmit and receive.
- An L or F is also displayed in the upper right portion of the LCD, corresponding to LTRS or FIGS being received by the modem. The L and F may be toggled by typing Ctrl-C, which is useful if the corresponding LTRS or FIGS character is missing from the incoming data stream. Thus the user can correct such an error condition.

Setting the Modem for RTTY Operation:

- Select the Mode item in the Config menu. (Press the Select pushbutton for about 2 seconds, release and rotate the Tune encoder one position clockwise.)
- Rotate the Tune dial until the RTTY menu item is shown. Press the Select pushbutton to change to that mode. The press the pushbutton again to exit back to normal modem operation.
- Notice that the spectral display now shows two cursors. These cursors are used when tuning to a RTTY signal that has two characteristic spectral peaks separated by 170 Hz. When the frequency is properly adjusted, each cursor will point to a spectral peak.
- Two techniques may be used for adjusting the frequency to place the cursors beneath the two spectral peaks of the desired incoming signal. The modem's Tune dial may be used in the conventional manner to slide over to the received signal. Otherwise, the receiver's frequency dial may be adjust to move the spectral peaks of the desired signal such that they are positioned over the two cursors.
- If the modem does not immediately start properly decoding the incoming data stream, try pressing Ctrl-R to reverse the mark-space frequencies as described above. The sending operator might be on an opposite sideband from what you are using, and the mark-space frequencies would need to be the same for proper decoding.

RTTY Operating Tips:

- When using RTTY with your transceiver set to USB, the actual RF frequency is simply the addition of the transceiver setting plus the display frequency on the NUE-PSK modem. Further, most Digital modes (with the exception of RTTY) are usually run in USB.

- It should be noted that RTTY will not decode weak signals as well as PSK31. This is because the filters for RTTY are not as narrow. The modem will decode a PSK signal that is about one S-unit lower than what can be decoded with RTTY
- Macros work just fine in RTTY mode – same as in other modes, and is quite convenient for the “brag files” that are commonly used in RTTY.
- Beacon Mode works well with RTTY as well.
- If you wish to use RTTY mode exclusively for a while, it may be convenient to select Save Config from the Configure menu, thus saving your current mode (RTTY) so it comes up by default when you next turn on the modem.
- Some typed characters do not appear on the LCD. The older, 5-bit “Baudot code” used in RTTY communications is limited in the number of characters that are supported. Thus, only capital letters are able to be transmitted, and the only supported “FIGS” include: -, ?, :, &, !, &, #, ‘, (,), /, “, comma, semicolon and period. (*Characters **not** transmitted or displayed on the modem LCD include: %, @, ^, *, {, }, [,], |, \, +, =, ~, ` , _ , - , < , and > .*) So be careful not to use these characters when doing RTTY communications ... otherwise your messages may be received in an unusual manner. (For example: “My email is george verizon.net”, “It costs 23.44”, “The Dow is up 2.1”, “John I went home”, etc.)
- We have implemented the US version of Baudot character representation. For example, someone on a mechanical TTY keyboard (such as the Teletype Model 19) who types a FIGS key followed by the H key, a pound sign (#) will be sent and displayed on the NUE-PSK display. Correspondingly from the NUE-PSK modem keyboard, pressing the # key will transmit the FIGS code followed by the H code (or just the H code if the FIGS code was previously sent) and the # character will be printed on the receive side.

9) Using the “Download Config” and “Upload Config” Features

This new feature pair, accessed from the modem’s CONFIG menu (beneath the Select pushbutton), allows the operator to send (Upload) the modem’s current “configuration settings” (user settings and macro strings) to a text file on the USB Flash Drive; edit this text file on a PC; and then load (Download) that modified text file into the modem. This is a great way to create macro strings offline and save them for later reminder or modification. This is a very convenient way to ...

- Send the modem's current configuration parameter settings and the current macro strings (found under the Function keys F1-thru-F7) as a text file to the USB thumb drive;
- Edit all of the above on the PC by plugging the USB thumb drive into the PC; and
- Load the modified text settings back to the modem by plugging the USB flash drive into the modem and "Downloading" the config.txt file.

The best way to use the new Download/Upload capabilities ...

- 1) Download the blank template to your PC from <http://www.nue-psk.com/software/CONFIG.TXT> (right-click the link and save file to a known location on your computer. The file is also shown at the end of this section.)
- 2) Open the **config.txt** file on your PC using the WordPad text editor. WordPad can be found in the Start->Programs->Accessories location on your computer. (The Microsoft NotePad text editor produces unexpected formatting problems for us.)
- 3) Edit the **config.txt** template to reflect your preferences for the modem. You can change the text lines in the template to reflect your favorite mode, your callsign, and other settings that you would like the modem to have when you turn power on each time. Additionally, and most powerfully, you can edit and manage the text strings used as the F1-through-F7 macros on the modem. For example, changing one word in Macro 5 (F5) is much easier to do by editing here on the PC than by re-entering the entire string anew with the modem's keyboard.

Editing Config.txt

It is very important to keep several in mind when editing the **config.txt** file ... The Instructions written out at the top of the file, briefly describing how to successfully edit the various lines. Read these instructions carefully. In short ...

- 1) You can **ONLY** edit the text on each of the 15 lines **after the colon and the space**;
- 2) The **ONLY allowable text** after the colon+space on lines 1-thru-8 are shown in the parentheses for that line. You must enter the desired option exactly as shown, or the selected edit will not be put in place when the file is later Downloaded to the modem.
- 3) You **MUST** be sure to retain the line termination character "|" at the end of each macro string (lines 9-thru-15). This is the "pipe" character typically located on the right side of one's keyboard as a shift character for the backslash key. Failure to retain this special character at the end of the macro string will cause a run-on (merge) of the two adjacent macro strings when loaded back into the modem;

After edits have been made, save the file to your computer using the same filename (i.e., you must keep the same filename **config.txt**), and copy that **config.txt** to your USB thumb drive.

- 4) Load the **config.txt** file into your modem -- Plug your thumb drive into your modem's USB port and in the CONFIG menu, dial up the **Download Config** menu item and select Start Download. See the modem port LED blink for perhaps about 3 seconds. The modem will then automatically reset and re-power up with the new (edited) configuration parameters and/or macro strings in place. They are automatically "saved to EEPROM" such that each time the modem is started up in the future, the new settings will be in effect.

Upload Config

The **Upload Config** feature is a lesser-needed capability that copies the modems config settings and macro text strings to the USB thumb drive. One could use this as a starting point for making text edits as described above, instead of using the blank template to start with. However an updated "C02" firmware file needs to be loaded into the USB chip, and a hardware modification is needed on the modem pcb for this feature to work for modems purchased prior to Feb 1, 2010. See the web page **Using the USB Card** (<http://www.nue-psk.com/usb/using.html>) and follow the steps described in the section **Installing the USB Card** for the hardware mod, and the section **Programming the USB Card** for installing the C02 firmware on the USB chip.

Note that the **Upload Config** command is **completely optional** and the modem will work just fine even if you don't make the hardware modification. Of course you won't have the ability to send the modem's config and macro strings to the thumb drive, but most people (including modem designers Milt and George) only use the Download Config feature to get the edited **config.txt** file from the PC into the modem. This is the most common and most useful aspect of the feature-pair.

All new modems going out the door here with USB cards, and those that have the Full Factory Upgrade made, will indeed have the extra signal wire and the updated "C02" USB chip firmware. This will enable those new modem users to use the **Upload Config** feature as well as future features coming downstream.

However, if you chose to make the optional hardware modification, you will be able to use the **Upload Config** feature, and at least one other feature coming soon -- support for a USB printer. So perhaps making the simple modification when convenient, or perhaps sending it back to us to do the low-cost mod, would be a good thing to plan on doing. Once the hardware modification is done to support **Upload Config**, you will be able to send the config and macro text to the USB thumb drive ...

- 1) Place the thumb drive in the modem's USB port.
- 2) Selecting **Upload Config** from the CONFIG menu. (Press-and-hold the Select pushbutton for a couple seconds, release and turn dial to Config Upload, and tap the Select pushbutton to initiate the feature.)
- 3) See the USB port LED blink rapidly for about 15 seconds while the modem's parameters and macro strings are written to the **config.txt** text file on the USB thumb drive.
- 4) When the blinking has stopped and control is returned to the modem's LCD screen, remove the USB thumb drive and place into the USB port of your PC. You can save this file away for safe keeping or use it (instead of the Template) as a starting point for making some edits.

Default Template for Config.txt File

NUE-PSK CONFIG

Configuration file for the NUE-PSK Digital Modem for device settings and macro strings.

DESCRIPTION ... This file is generated by the 'Upload Config' selection in the modem's CONFIGURE menu, and is written to a USB flash drive inserted into the modem.

CONFIG.TXT ... This file reflects all the current settings of the modem, and may be modified as desired on a PC by using a simple text editor like Microsoft WordPad.

EDITING ... Editing this text file must be done very carefully by changing characters after the colon and space. The options available for each field are listed in parentheses for each field and must be entered exactly as shown. Special control characters are entered into macro strings as <TXON>, <TXOFF>, <MYCALL> and <THEIRCALL>. For example ... <TXON>Thanks <THEIRCALL>. QTH HERE IS BALTIMORE, de <MYCALL><TXOFF>

Be sure to leave the special termination character '|' in as the last string character.

LOADING INTO MODEM ... The settings and strings contained in the CONFIG.TXT file may loaded into the modem by placing the file onto the flash drive, inserting it into the modem, and then selecting 'Download Config' in the modem's CONFIGURE menu.

RESULTS ... If the modem is able to successfully read and transfer all settings to the modem, 'Exit' will be displayed and pressing the Select pushbutton will bring you back to the normal operating mode of the mode with the new settings in effect. Otherwise, the modem will beep will beep and the Download Config operation will terminate.

-
- 1) My Call: N2APB
 - 2) Log Fname: NUE-PSK.txt
 - 3) PGA (x1,x5,x16,x32): x16
 - 4) Mode (BPSK,QPSK,QPSK/R,RTTY): BPSK
 - 5) BackLight (ON,OFF): ON
 - 6) SQLCH (25, 50): 25
 - 7) AFC (ON,OFF): ON
 - 8) CWID (ON,OFF): OFF
 - 9) Macro 1: <TXON>CQ CQ CQ CQ de <MYCALL> <MYCALL> <MYCALL> PSE K <TXOFF> |
 - 10) Macro 2: My Macro 2 |
 - 11) Macro 3: My Macro 3 |
 - 12) Macro 4: My Macro 4 |
 - 13) Macro 5: My Macro 5 |
 - 14) Macro 6: My Macro 6 |

15) Macro 7: My Beacon Macro |

10) Real Time Clock Calendar (RTCC)

In receive and transmit modes, the date and time are displayed on the top line of the 128 x 64 graphical display. In other modes, the entire screen is used so the date and time are not displayed; however, the date and time are maintained so they will be current when next displayed. When first powered up, the time is initialized as "00:00:00" and the date is not displayed until the date is input to the modem either by the operator (see Configuration Menu) or by the optional USB option card (automatic, if installed). If the time is not updated, it can serve as a running time meter showing how long the modem has been turned on. The operator may also choose to turn the date and time displays off.

The date display is located in the upper left corner as an eight-character string formatted as: "MM/DD/YYYY". The time display is located in the upper right corner as an eight-character string formatted as: "hh:mm:ss" in a 24-hour format. To conserve display space, both are displayed using a special 3 x 5 font with no space between characters instead of the standard screen font which is a 5 x 7 font with one column of pixels between characters (6 x 7 pixels used per character).

The time is updated every second either by the Real Time Clock Calendar (RTCC) circuits on the USB option card or, when the USB option card is not installed, by a one-second timer in the modem. The main differences between these two approaches are accuracy and persistence. The RTCC on the USB option card uses the same type of crystal used in quartz watches to generate a very accurate time base. The modem time base is derived from the main system clock and is less accurate. The RTCC is powered by its own separate battery so it will maintain accurate time even when the modem power is turned off. Each time the modem is turned on, it verifies that the RTCC is present and automatically sets its copy of the date and time from the current RTCC settings. When the RTCC is not detected, the user must manually enter the date and time each time the modem is powered up.

When the USB option card is first installed, the date and time settings will not be accurate. The operator must enter them once. From then on, the RTCC will maintain them whether or not the modem is powered on. The RTCC knows nothing about time zones and daylight savings time. The operator can choose to use either local time or Universal Time and must change the time ahead or back one hour to account for daylight savings time, if desired. The RTCC programming is aware of leap years so it is not necessary for the operator to make leap year adjustments in the date. Of course, the operator will have to reenter the date and time after replacing the RTCC battery. (Note: Whenever a battery is installed onto the USB card, pin 4 of PIC controller U3 should be grounded quickly once with a touch of a clip lead in order to properly reset the PIC and start the clock programming.)

12) Macros

a) General Macro Usage

Macros are pre-recorded strings of characters for subsequent convenient playback. If you wish to use macros, now is a good time to do it.

For those already familiar with PSK operations, macro setup is similar to many of the popular PSK programs.

Macro recording is initiated by pressing the Ctrl key plus the function key that you want to be associated with your macro. Let's go through an example of entering your callsign into EEPROM memory and setting up a CQ calling sequence, as shown below. I'll use my callsign in this example, but of course you should use your own.

a) Record your callsign into EEPROM ...

Ctrl-M n2apb Ctrl-Z

b) Record the CQ calling sequence into the F1 macro

Ctrl-F1 Ctrl-S cq cq cq de Alt-M k Ctrl-Q Ctrl-Z

Now play the macro by pressing F1 and see ...

Tx comes on, "cq cq cq de n2apb k", Tx turns off

You can also record the other station's call sign "TheirCall" in RAM (not in nonvolatile EEPROM) by pressing Ctrl+T, TheirCall and Ctrl-Z to end the entry. To insert the other station's call sign into a macro, simply use Alt+T in the macro. Then, when you play the macro the other station's call sign will be inserted into the macro. In this way whenever you enter a new call sign using Ctrl+T, you do not need to re-record the macro to use the new call sign.

b) Special macro usage: Beacon Mode

- Using this feature, the user is able to specify a text string up to 256 characters in length into macro buffer F7 and then turn on Beacon Mode by pressing Shift-F9.
- The F7 macro should contain the Tx-ON control character Ctrl-S at the start of the string and the Tx-OFF control character Ctrl-Q at the end. The beacon transmission will then start and stop automatically with nothing being transmitted during the pauses.
- Once in Beacon mode, the reverse-video characters "BCN" are displayed at the right edge of the display and the F7 buffer begins transmitting as the text is displayed on the LCD.
- Since the Tx-OFF control character Ctrl-Q is the last character in the string, the modem drops out of Tx mode and the modem stays in Rx mode until the Beacon Interval timer expires.
- When the Beacon Interval time expires (which must be greater than the time required to transmit the F7 buffer), the F7 buffer transmit cycle begins again.
- This "beacon cycle" continues as long as the modem is powered (i.e., transmit F7 buffer, wait for Beacon Interval to timeout, transmit F7 buffer, ...)
- Beacon mode may be turned off at any time by pressing Alt-F9.

- The Beacon Interval is able to be set within the modem's Configure menus ... press-hold the Select pushbutton, dial two positions counter-clockwise and select Beacon Interval. Adjust the dial to select time in seconds for the start of every F7 buffer transmit cycle. It is important that the time be greater than the time required for F7 buffer to transmit. A good guideline is to first program the F7 buffer with the desired string and play the F7 buffer once by pressing F7 while in Tx mode. Time the transmission and add the number of seconds desired before the next transmission. That combined time will be the Beacon Interval.
- The user-set Beacon Interval time in the Config menus is retained only as long as modem power is applied. You will need to re-enter the time each time you power up the modem. The default Beacon Interval is 60 seconds.
- Usage Example: A beacon is desired for sending "v v v v N2APB 10mW PSK Beacon"
 - a) Enter string to F7:
"Ctrl-F7, Ctrl-S v v v v N2APB 10mw PSK Beacon Ctrl-Q, Ctrl-Z"
 - b) Send F7 buffer to determine length: F7 (Takes about 6 seconds)
 - c) Set Beacon Interval to 15 seconds:
 - press-hold Select, dial to Beacon Interval and select it;
 - dial to 15 seconds;
 - tap Select twice to exit back to normal modem display.
 - d) Turn on Beacon Mode: press Shft-F9
... see modem transmit F7 buffer on 15 second intervals
 - e) Turn off Beacon Mode: press Alt-F9

13) Configuration Menu

Configuration of the modem is accomplished by using a menu system. For example, you can select among the available modes PSK, RTTY, QPSK, and QPSK reversed. You can also change the software squelch setting, the gain of the programmable gain amplifier (PGA), turn CW Identification on or off, turn the display backlight on or off, change the tuning "increment", monitor battery voltage, or monitor the setting of the TX audio potentiometer. Other items may be added to the menu at a later time.

The method of menu access is through the "Select" button on the menu and the Tune dial. Pressing and holding the Select button for more than ½ second will activate the menu system. When initially activated, the display will show "Configure" on one line, followed by "Exit" on the line below. If you wish to abort configuration, simply tap the Select button at this time. If, on the other hand, you wish to configure one of the modem settings, simply rotate the dial clockwise or counter clockwise to cycle through the top level menu selection. Once you see an item that you wish to change, tap the Select button again. This will then allow you to cycle through a list of choices, again by rotating the Tune dial. When the choice you wish to make appears on the display, tap the Select button again. This will record your choice, and the menu will revert to the top level, showing "Exit" as the default choice. You can now make additional changes or tap the Select button again to exit the Configuration menu.

The current menu choice is the item initially displayed when a given menu is selected. For example, if you dial up Squelch Threshold menu item and change it to show “25”, the next time you access this menu item it will still show as “25”, thus allowing you to always see the current setting before (possibly) changing it.

Another way to see a full “status display” of current settings is to press the F12 key. This function shows the current value for each of the changeable settings: Mode, Squelch, CwID, Backlight and PGA. This is a convenient way to determine at a glance how your modem is currently configured.

Once a change is made in Config mode, the display shows “Exit” as a prompt for you to tap the Select button to get out of Config mode; and once you exit that change will be effect as long as the modem has power applied. However, you have an opportunity to save any changed Configuration settings to nonvolatile memory such that those new settings will be in effect the next time you power up the modem. Just turn the Tune dial one position counterclockwise and see the option for “Save Config”. Tapping Select at this point will save the current settings to EEPROM and they will be loaded and put into effect when you next turn on the modem.

See a useful list of available menus and hot key assignments on the next page, along with a sample usage scenario for saving data to the USB device.

Hot Keys

| | |
|-----------------|--|
| F1 to F7 | Play Macros |
| Ctrl-Fn | Record Macros-- Enter keystrokes. Ctrl-Z to conclude entry. |
| Alt-Fn | Delete Macro associated with Fn. |
| F8 | Toggle TUNE mode on/off. Accessible only in RX or TX. (Not in Setup, or Macro Recording.) |
| Shft-F9 | Turn on Beacon Mode. 'BCN' displayed. |
| Alt-F9 | Turn off Beacon Mode. |
| F10 | Toggle between RX and TX (but not in Setup, or Macro Recording) |
| F11 | Display "MyCall" EEPROM. |
| F12 | Toggle on/off a display of modem's current settings. |
| Ctrl-M | Record "MyCall" into EEPROM. Ctrl-Z to conclude entry. |
| Ctrl-T | Record "TheirCall" into RAM. Ctrl-Z to conclude entry. |
| Alt-M | Insert "MyCall" into a Macro. |
| Alt-T | Insert "TheirCall" into a Macro. |
| Ctrl-F | Save the current frequency into EEPROM so that it can be restored at the next power-up. |
| Alt-F | Retrieve the saved frequency and makes it the current frequency. |
| Ctrl-Tab | Displays the current frequency (audio) |
| Ctrl-A | Enable AFC (Automatic Frequency Control) |
| Alt-A | Disable AFC |
| PgUp | Increase input gain. |
| PgDn | Decrease input gain. |
| Ctrl-L | Clear the text area of the LCD |
| Ctrl-K | Clear the keyboard buffer. (While receiving, keystrokes are not displayed—this allows clearing the buffer, so that callsigns may be entered, or re-entered in case you think that you have entered the wrong callsign) |
| Ctrl-B | Clear the internal buffers |
| Ctrl-Q | Inserts a TX-OFF control character in the TX buffer or Macro. (Toggles back to Rx mode when encountered in the string being transmitted.) |
| Ctrl-S | Inserts a TX-ON control character in the Tx buffer or macro. |
| Ctrl-O | Toggles the display backlight on and off. |
| Ctrl-R | Reverse the order of MARK and SPACE frequencies in RTTY mode. Useful for copying sender Transmitting on opposite sideband |
| Ctrl-D | Enter Date. |
| Alt-D | Enter Time (Ctrl-Z ends entry) |

Spectrum Cursor Tuning Rates

Left: 1x: Left Arrow 2x: Down Arrow 5x: ALT+Left Arrow 10x: ALT+Down Arrow
Right: 1x: Right Arrow 2x: Up Arrow 5x: ALT+Right Arrow 10x: ALT+Up Arrow

USB-Related Hot Keys

Ctrl-U: Toggle REC mode on/off. REC displayed on right edge of display. Mode aborted if no flash device present in connector. If USB card not detected within 5 seconds, piezo beeped mode aborted.

Ctrl-N: Enter name for USB file to be recorded. Ctrl-Z concludes entry. Standard 8.3 file names accepted. (E.g., "FD2008-2.txt")

Ctrl-I: Insert text into recording file. Ctrl-Z to conclude entry. The USB file must already be open (Ctrl-U) for this to work. The recording file remains open for additional Rx or Tx text, until Ctrl-U pressed again to close the recording file.

Example Usage of Recording to USB Device

- 1) Power up modem (flash mem device not inserted)
- 2) Enter filename for file to be recorded ...
Ctrl-N FieldDay.txt Ctrl-Z
- 3) Turn on REC mode to begin recording
Ctrl-U
and see the USB LED blink fast.
- 4) Insert block of free form text to Flash filename ...
Ctrl-I Field Day 2008 QSO recordings Ctrl-Z
- 5) Tune around and find a station to call
- 6) Enter Tx mode per usual (F10) to call. Entered text is recorded to USB filename.
- 7) Enter Rx mode per usual (F10) to receive. Receive text is recorded to USB filename.
- 8) Insert free form text to USB file ...
Ctrl-I Time ending QSO is 2130 hrs. Ctrl-Z
- 9) Close USB file recording session ...
Ctrl-U
and see the USB LED stop blinking and go solid on.
- 10) Remove Flash memory device for remote viewing, archival or printing.

14) Updating Modem Software

Increasingly today, microcontrolled devices have an ability to be “field updated” with new features and software updates made available by the designers. So instead of needing to send your modem back for re-programming to get these new capabilities and bug fixes, you can simply download the latest-and-greatest software from the Internet and send it to the modem and the hardware automatically updates its internal memory with the new program. What a great way to keep your project completely up to date with the latest features!

Three methods are available to perform this field updating of the software:

- a) **External Serial Adapter between Modem and PC** – With this method you just need to connect your PC serial port to the modem using a simple adapter, and send it the new software obtained from the NUE-PSK website whenever new capabilities are made available. We designed a TTL serial port into the modem, accessible via a 4-pin connector P4 located inside the battery compartment. Just connect your computer’s USB port to an inexpensive USB-to-TTL adapter such as the CP2102 from SparkFun⁹, and plug the adapter into P4. When you select the PC Bootload option in the Config menu and run the ‘prog’ loader program on your PC, the new software will be transferred to the modem. Once you power-cycle the modem, the modem will be running the latest software release containing, for example, a new digital mode, some new I/O capabilities, and so on. This is really quite a convenient and powerful capability for the project.



Photo 10: CP2102 USB-to-TTL interface from SparkFun

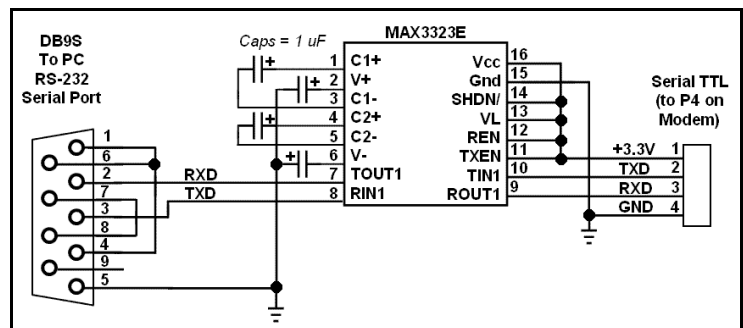


Figure 5: Schematic of an easy RS-232 interface to the NUE-PSK Digital Modem

- b) **PC Bootload using optional internal USB Card** – Connect the modem to a USB port on the PC using an A/B USB cable and upgrade the modem software from the PC in the same manner as with the external serial adapter. Just dial up the PC Bootload function in the Select menu, activate the same “prog” program on your PC as before, and watch your modem software get upgraded.
- c) **Flash Bootload using optional internal USB card** – Use a USB flash “thumb drive” to load new software into the modem, thus eliminating any need for cable connection to the PC. See the USB section for details.

Loading New Software using an External Serial Adapter

In general, the process is simply to select PC Bootload item in the modem's Config menu, connect the serial adapter, and run a program called **prog** on your PC.

***Important** ... If you haven't yet proved out your serial adapter connection between your PC and modem, you should first follow the steps outlined on the web page [Serial Interface Checkout \(http://www.nue-psk.com/serial_interface\)](http://www.nue-psk.com/serial_interface). If you cannot do the operation specified there, you will not be successful trying to load new software into the modem.*

First, you'll need to "get ready" by first doing a couple of things ...

1) Determine the COM port number of your USB or RS-232 serial port -- You can find this out by clicking START and then right-clicking My Computer. Select Properties and then the Hardware tab. Click Device Manager and find the Ports line item in the list. Expand that line item and see that the Communications Port will have a COM number shown. That is the serial COM port number that you'll use.

2) Get the PROG program onto your local computer -- You can download prog from http://www.nue-psk.com/serial_interface/prog.exe. Save the file in a convenient place, like at the root of your C drive. (When your computer prompts for the save location, enter C:\)

3) Download the latest modem software to your computer -- Download the software file **modem2_10h.zip** from the Software section on the website www.nue-psk.com, and place it in the same location as you did the prog program above.

Next, perform the following steps to connect the PC to your modem using your serial port ...

4) Connect the serial adapter between the modem and the PC -- You will either (a) connect a serial adapter to a serial port cable that is plugged into your computer, and then connect the adapter to the 4-position "Field Programming" pinheader (P4) located on the bottom side of the modem pc board, as accessed from the battery compartment; or (b) connect an A/B USB cable between the PC and the USB card's square connector on the side of your modem.

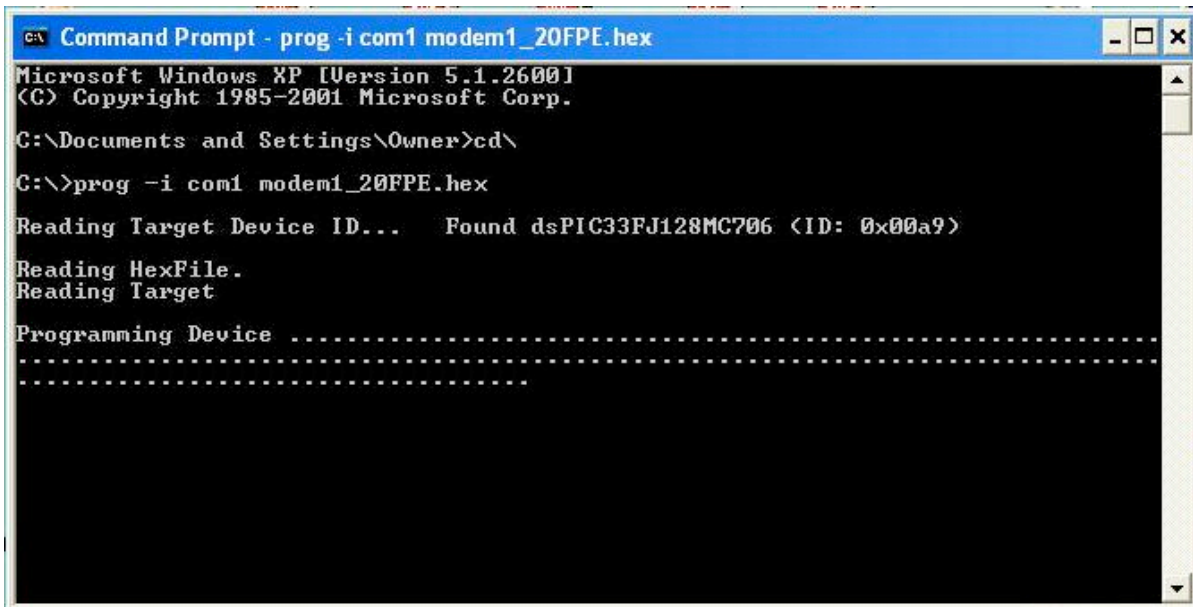
5) Open a Command Window on the PC -- You can bring up this window by clicking in START, Run ... and enter Command. Navigate to where you saved the prog.exe program. If this was at the root of the C drive, just enter CD \ .

6) Enter command to run the "prog" program -- From the prompt inside the Command Prompt window, type the following command line ... **but do not yet press <Enter>**. For example, on my system that uses the COM1 serial port, I would type

```
prog -i com1 modem3_0(modem+lowboot).hex
```

7) Start the PC Bootload process -- Select the PC Bootload function in the modem's Config menu, and then select Start Download. Next press the "Enter" key on the PC keyboard to execute the command you previously entered.

8) See the PC screen start displaying the downloading indicators -- See the PC screen show a series of "periods" as the software gets downloaded to the modem and burned into flash. You will see about 3 rows of the periods and then it will stop. At that point the modem will automatically restart and you'll see the splash screen display the new version number "2.10h".



(NOTE: This screenshot shows the command line for loading version 1.20 software. The sequence is the same for all version numbers, but instead using the filename of the latest software version.)

15) Capabilities and usage of the optional internal USB Card

Three major features are enabled by having the USB card installed: **REC mode**, **Flash Bootload**, and **PC Bootload**. These features are very powerful and will greatly enhance your digital modem experience.

Software v1.34 (or later) must be loaded for these features to work as described ... **and** you must have firmware "C01" loaded on your USB card. See the USB web page for instructions on loading C01 firmware if you constructed the USB card from a kit.

=====

REC MODE -- Recording QSOs to a USB flash memory device

Insert a USB flash memory device into the modem connector. The LED on the side of the modem will come on.

Type **Ctrl-U** on the modem keyboard to place the modem into RECORD mode. You will see "REC" displayed on the right side of the modem display and the LED on the USB port will start blinking rapidly, indicating that it is ready to receive any text that you may type in Tx mode or any text that is coming across the LCD in Rx mode.

(Note: If the USB card is not in place, or not working, the REC will be shown briefly

on the display and a beep will be sounded by the modem to indicate that an error condition is present.)

Assuming things are working (no beep and the LED blinking rapidly), place the modem into **Tx mode** (press **F10**) and start typing some text. You do not need to be connected to your transceiver to try this out. You will see the text displayed on the modem LCD of course, but it is also being simultaneously written to your USB flash device.

Type **Ctrl-U** again to stop the REC mode and you will see the USB port LED stop blinking and remain on continuously.

Remove the USB device and plug it into your computer. You will notice a new file on the stick called **NUE-PSK.TXT**. If you open this file you will see the text that you typed while in Tx mode, and any other text that might have been displayed while in Rx mode.

As summarized on the Command Reference sheet, two other USB-related features are available to you. One is that you may specify **your own unique filename** for the data being recorded to the USB device while plugged into the modem. Before turning on REC mode (**CTRL-U**), you may type **CTRL-N** and you will be prompted at the top of the modem display to enter a filename. Give it any standard 8.3 format filename that is useful to you. (8.3 is 8 characters followed by a period and 3 more characters as an extension, like "Test1234.txt".) Don't forget to use **CTRL-Z** key to end this entry.)

The other USB-related feature is that you may **Insert** your own text into the data stream being recorded to your USB flash device. For example, after getting into REC mode (**CTRL-U**) but before starting up a QSO, you might wish to enter the current date, time or operator name in order to have a better record of the QSO downstream. To do this, type **CTRL-I** and you will be prompted at the top of the screen to enter this "offline" text. Don't forget to end your entry with a **CTRL-Z** in order to return back to Tx or Rx mode. Remember, what you enter in this Insert mode is **not** transmitted, but it is only text that is inserted into the stream of data going to your USB flash memory device.

The QSO recording format

The QSO recording format for flash drives is enhanced with additional information including date and time. At the start of each recording session (initiated by a **CTRL-U**) the following text block is written to the file:

```
*****  
* START RECORDING <MM/DD/YY hh:mm:ss> *  
*****
```

This text block is always followed by a blank line. At the end of the recording session (terminated by another **CTRL-U**), the following text block is written to the file:

```
*****  
* STOP RECORDING <MM/DD/YY hh:mm:ss> *  
*****
```

This text block is always preceded by a blank line.

The start of each recorded receive session contains the following preamble text:

* * * RECEIVING: <hh:mm:ss>

This text is followed by a single space character and then the received text as received, no formatting.

The start of each recorded transmit session contains the following preamble text:

* * * TRANSMITTING: <hh:mm:ss>

This text is followed by a single space character and then the transmitted text as transmitted, no additional formatting.

When the operator inserts text in the recording (**CTRL-I**), the following text is inserted in the file:

* * * INSERTING: <hh:mm:ss>

This text is followed by a single space character and then the operator-keyed text, no additional formatting. When the operator ends the insert operation with **CTRL-Z**, the modem resumes recording the interrupted mode with the appropriate RECEIVING or TRANSMITTING preamble.

=====

FLASH BOOTLOAD -- Loads new modem software from a flash device

This feature allows you to upgrade your modem software from a file placed onto a USB thumb drive. Just place the latest version of the modem software (in a special format, named mem.dat) onto your USB drive, as downloaded from the NUE-PSK website. This file is then automatically loaded into your modem. Thus, you no longer need to use a serial adapter to upgrade your modem software!

- 1)** Download the modem software **mem.dat** to your computer from the Latest Software section of the modem web page, and then copy the file to your thumb drive.
- 2)** Insert the USB drive into the modem and select the Flash Bootload function in the modem menu within the Select pushbutton items list. (Hold the Select pushbutton down for more than 1/2 second and turn the dial counterclockwise until Flash Bootload is displayed, and tap Select again to select this menu item.)
- 3)** Turn the dial until "Start Bootload" is showing then tap the Select pushbutton. You will note some blinking of the LED on the USB drive itself (if it has an LED), and in about 15 seconds the modem will reboot and start up the software version just loaded.

=====

PC BOOTLOAD -- Loads new modem software from your PC

This feature allows you to load a new version of a software hex file onto your modem from your PC, much in the same way as you did previously when using a serial adapter.

1) Download from the modem website the software you wish to load into your modem, for example **modem2_10h(modem+lowboot).hex**, and then connect your modem to the USB port on your PC. You will use a suitable cable that plugs into the square USB jack on the modem and into the rectangular USB jack on the PC. When you plug in both ends of the cable, the computer will recognize the USB port.

2) Ready your PC in the same fashion as done previously when using the separate serial adapter. Bringing up a Command Prompt window on the PC, navigating to the location where the PROG program and your modem software hex file reside (the root of the C: drive is convenient) and type: **prog -i com5 modem2_10h(modem+lowboot).hex** where the COM port number is that used by your PC for the USB ports. Do not hit <Enter> yet until you have readied the modem side of the connection.

3) Select the PC Bootload function in the modem menu underneath the Select pushbutton. (Hold the Select pushbutton down for more than 1/2 second and turn the dial counterclockwise until Flash Bootload is displayed.)

4) Press the Select pushbutton and turn the dial one notch to see "Start Bootload" displayed.

5) Tap the Select pushbutton to select the Start Bootload item on the modem, and then press the <Enter> key on the PC keyboard to run the PROG program. You will see the standard series of about 100 dots appear on the PC screen to signify the program download process. When the dots stop appearing, the modem will reset and the new software will be running.

NOTE 1: You will need to have the FTDI USB driver installed on your PC before attempting to use this PC Bootload feature. To install the driver, download the driver installation zip file from:

www.nue-psk.com/software/CDM%202.04.06%20WHQL%20Certified.zip

and expand it onto a temporary file on your PC, and then plug in the cable from your modem. With the modem power turned on, the PC will recognize that a new USB device is plugged in and Device Found Wizard will pop to lead you through the process of installing the new driver. At the appropriate point indicate that you wish to specify that that PC searches for the driver at the location you have the temporary folder. When the PC indicates that the device is successfully installed, you can use the PC Bootload feature. NOTE: If you need help with this process, you can download and study the FDTI application note called "AN232R-03 Driver Pre-Installation Document", located at:

http://www.nue-psk.com/usb/AN232R-03_DriverPreInstallation.pdf

16) Tips & Techniques, and "Things to Watch Out For"

Here is a useful section that will undoubtedly grow in length over time. Please be sure to often check the NUE-PSK website for the latest online information.

- a) **Signal Level** – Setting the right drive level to your SSB rig is essential to success when operating the PSK31 mode. Please be sure to read the corresponding section on the NUE-PSK website containing lots of tips on this topic.
- b) **Inserting Plugs to the Modem** – You will want to be sure that you fully insert the Radio and Keyboard plugs into the connectors on the modem. Failure to do so could well result in unusual, intermittent or “noisy signal” symptoms during usage. When inserting, be sure to press firmly in the direction of insertion – do not “wobble the plug while inserting. Same for unplugging – just pull it back firmly. (Care in this area will save the life of the connectors on the modem.)
- c) **Tap-Hold to Select Config** – As described elsewhere in this manual, you can get into the Configuration menu in order to make various settings in your modem. Config is entered by a press-and-hold of the Select pushbutton ... just press the pushbutton for about one second (say “one one thousand”) and release it to see the options that you can further select by rotating the Tune control. You can select any other operation or menu selection merely with a quick tap of Select.
- d) **Tx Audio Level Setting** – This menu selection in Config will show you the relative position of the mini-pot used for the control on the top of the modem. The control currently ranges from 0%-to-26%, or -60%, -125% or even -160%, etc. Don't worry about the specific number at this time; we will make the readings more consistent from unit-to-unit in a future software release.
- e) **Spectrum Artifacts** – When viewing a moderately-strong signal at the midscale point on the modem's LCD spectrum (which corresponds to 1500 Hz), “noise” will also be seen on the far right and far left ends of the spectrum display. This is common and is an artifact of the DSP process of the signal, and it will occur even when viewing received signals a bit below or above the spectrum midpoint.
- f) **How We Tested the Modem (in part)** – Some might find this info helpful in testing their own modems. We had direct audio connections to a laptop running Digipan, with the audio in/out cables connected to the soundcard headphone/mic connectors, respectively. We then commanded the modem to transmit at 1500 Hz and viewed the classic two-tone “railroad track” signal on the Digipan waterfall display. Ensuring that the Digipan frequency (i.e., the red diamond) was centered on the tracks to ensure we were tuned to the modem's signal, we adjusted the Tx Audio level control fully counterclockwise to generate no signal, then increased it slowly in a clockwise direction while viewing the IMD reading on the Digipan window. We stopped turning the control when the IMD reading got to a -54 dB level, after which turning it further has no more effect. We found this level to be an ideal setting of the Tx Audio level delivered by the modem. Characters typed on the modem keyboard could then be seen on the Digipan receive window. We then turned the channel around (i.e., set Digipan to Tx and the modem to Rx), and saw on the modem display the characters typed into Digipan. [Note, you should follow the adjustment procedure elsewhere in this manual when connected to a radio.]

17) Technical Support

In case of questions or problems, feel free to send an email with your comments to us at support@nue-psk.com.

Be sure to also check the NUE-PSK website at www.nue-psk.com for the latest information, software availability and tips & techniques to make your digital mode operating experience enjoyable. This printed manual will be updated frequently with corrections and new capabilities presented in the current software, so be sure to always check out the website.

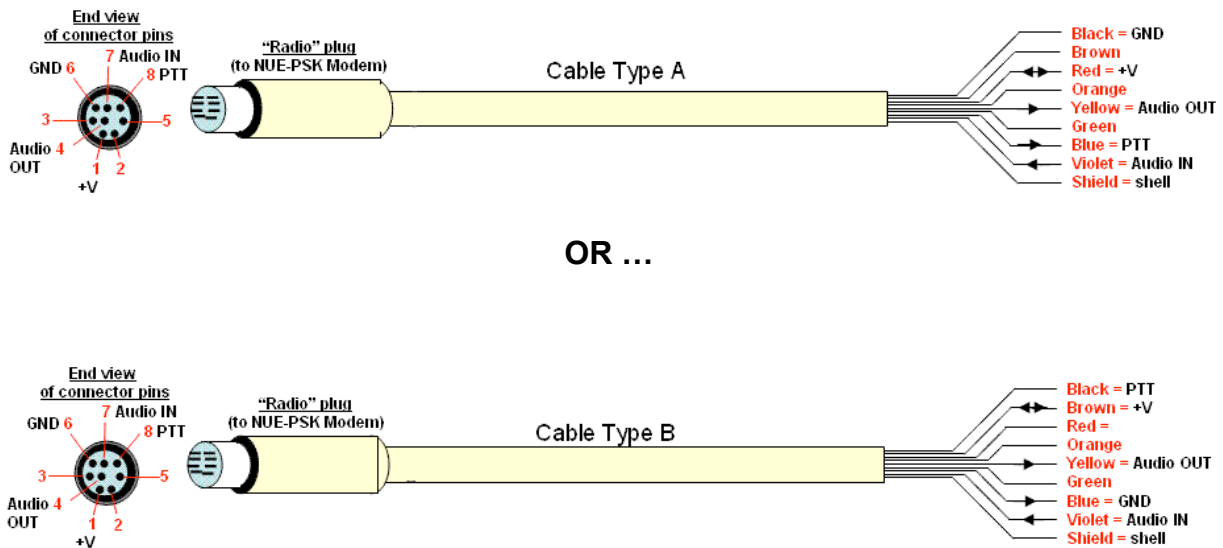
Another great source of information and camaraderie with fellow owners of the digital modem is the **NUE-PSK email reflector** on Yahoo Groups. If not already signed up for this great communication forum, go to www.yahogroups.com and search for the group called NUE-PSK. You can view all the messages posted there, and if you join (for free!), you will be able to post questions and comments yourself, as well as access the files in the group.

Appendix A: The Radio Cable

This diagram represents what is shipped with your NUE-PSK modem. Since the modem can interface with literally hundreds of different SSB transceivers, it will be necessary for you to connect the “unfinished end” of the Radio cable to properly interface with your specific radio. Once you have the proper connector in hand for your radio, the task is simple – just use the signal names and wire colors here as a guide to get the PTT signal and audio tones to your rig.

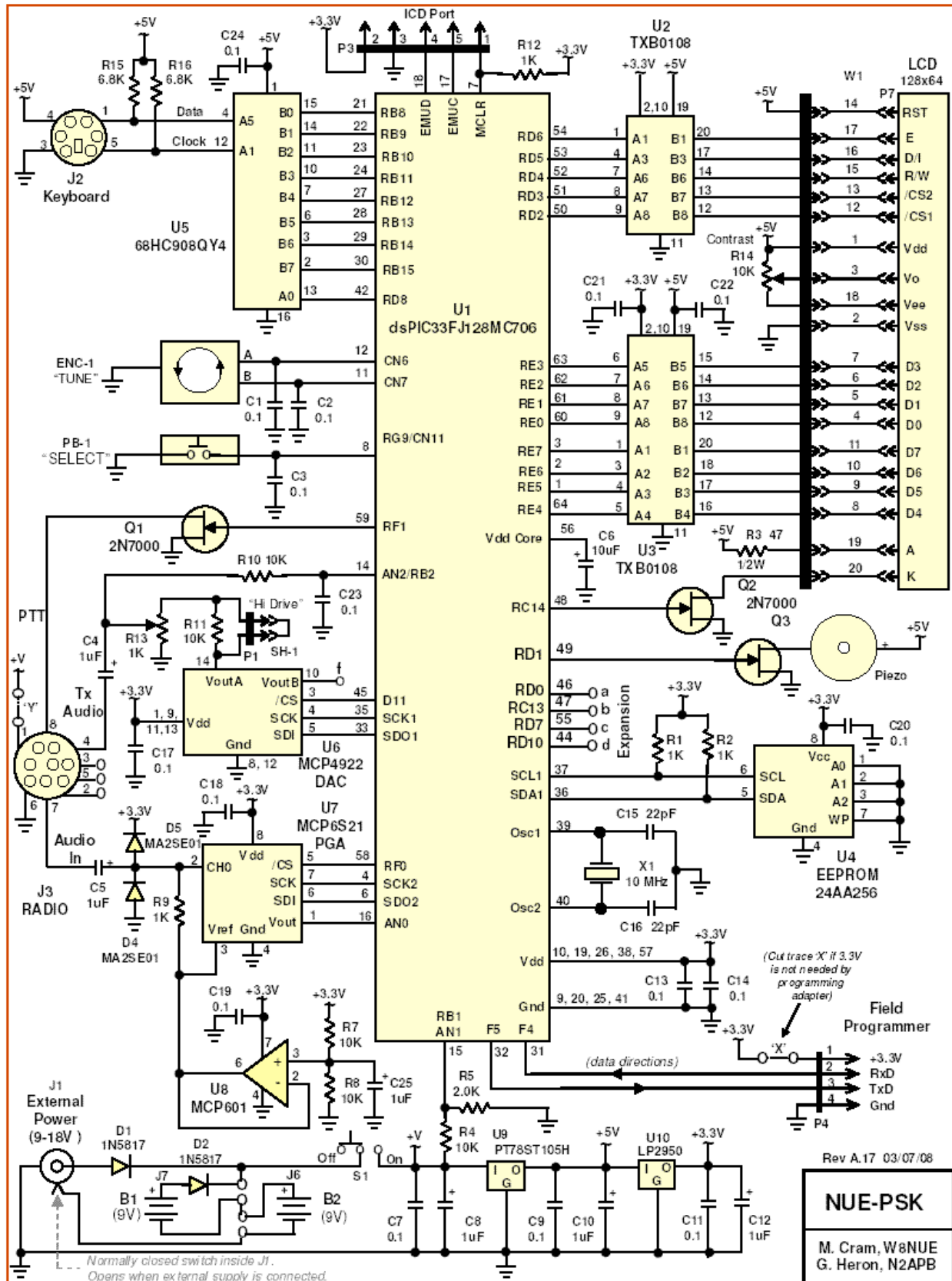
The cable supplied with the modem has color-coded wires on one end, either as shown in Figure A or in Figure B below. You will need to determine which type you have before attaching the connector required for the data connection to your specific radio.

You can easily determine which cable type you have by using a VOM to check for continuity from pin 8 on the molded Radio plug to the blue wire on the other end of the cable. If there is continuity, you have Cable Type A. Otherwise, with pin 8 continuity to the black wire, you have Cable Type B

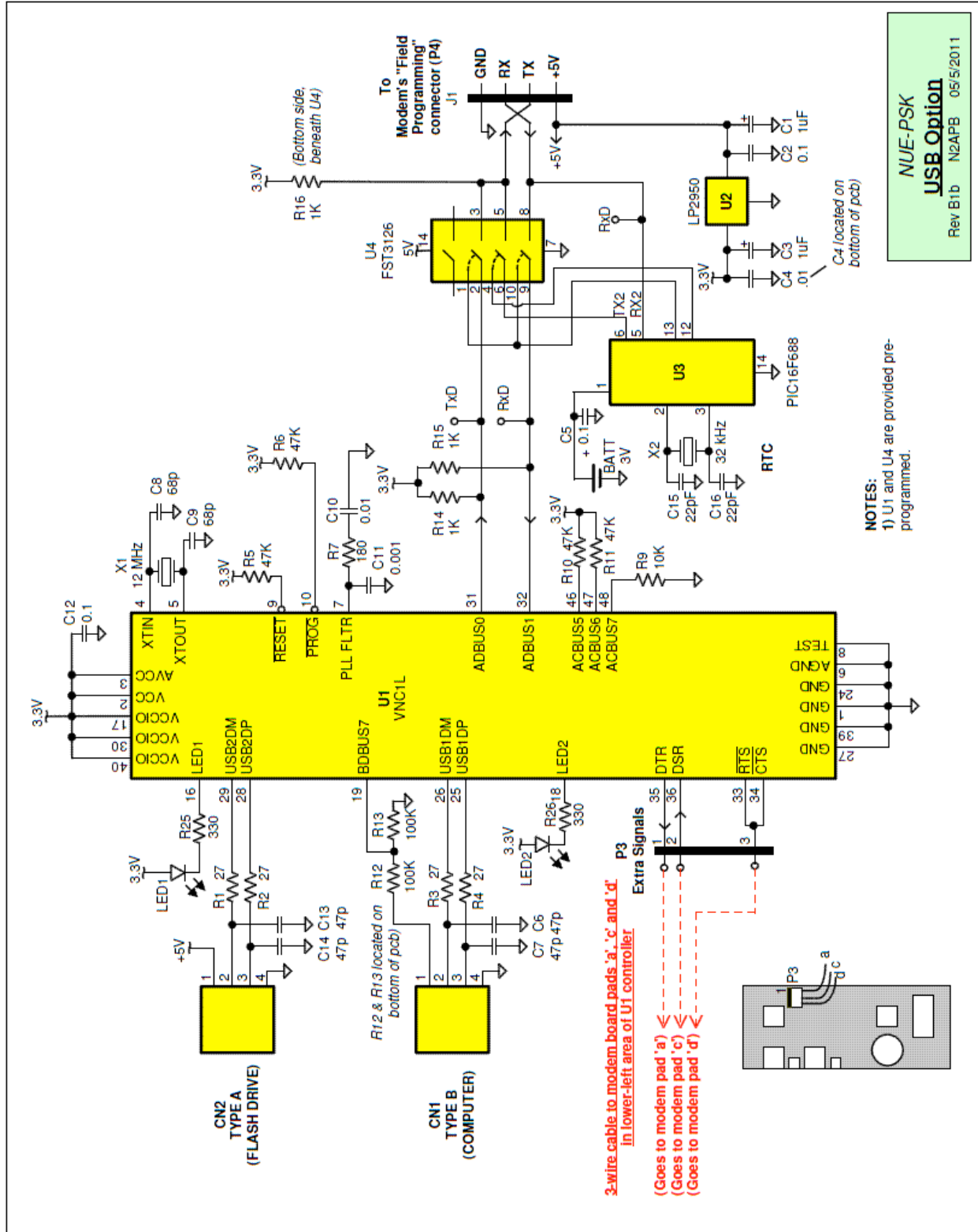


To help owners get on the air as quickly as possible with their new modems, we have pre-fab cables, supporting over 50 popular transceiver models, available for purchase from the NUE-PSK website. See www.nue-psk.com for details.

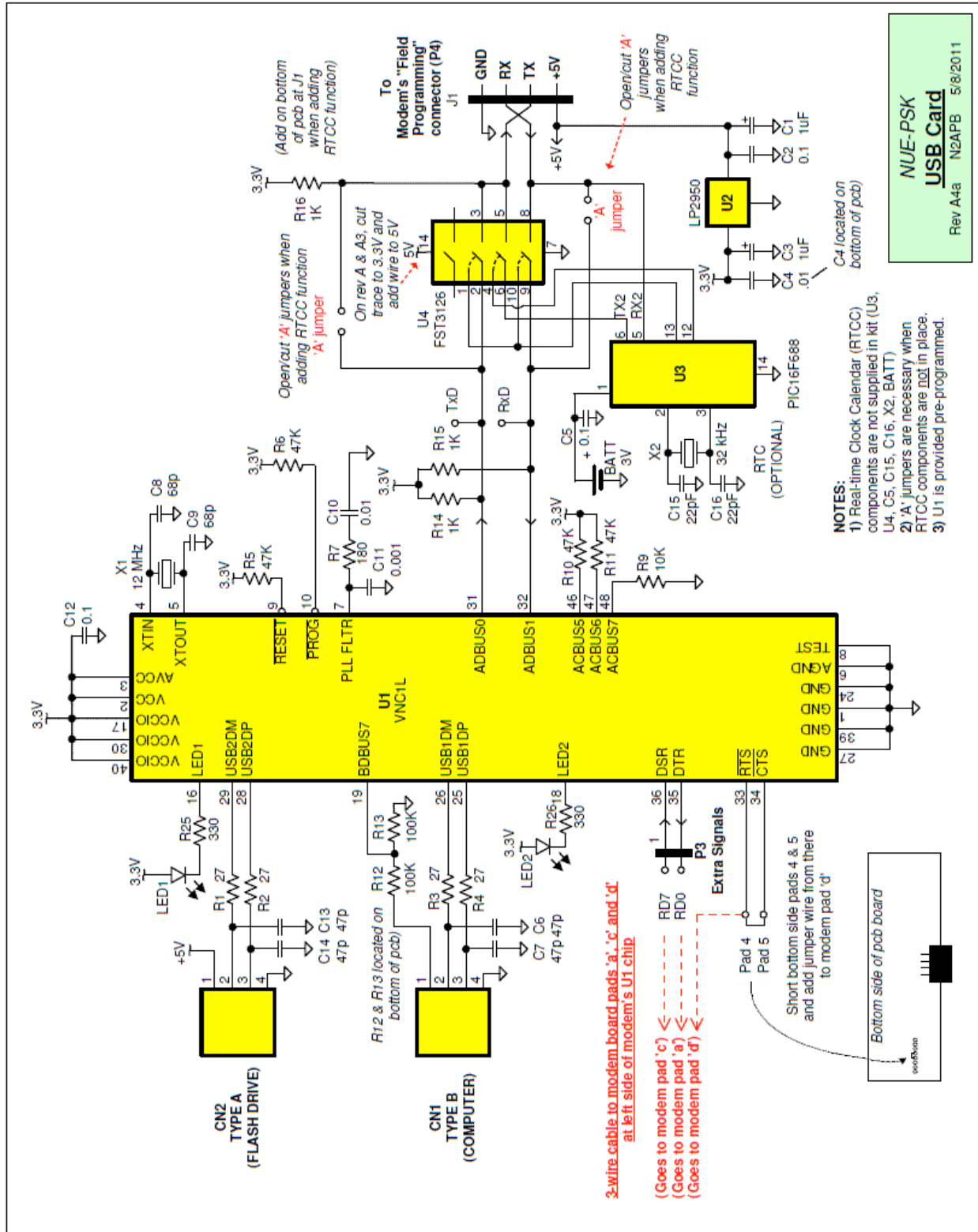
Appendix B: Modem Schematic



Appendix C: Optional USB+RTCC Card Schematic (rev B1)

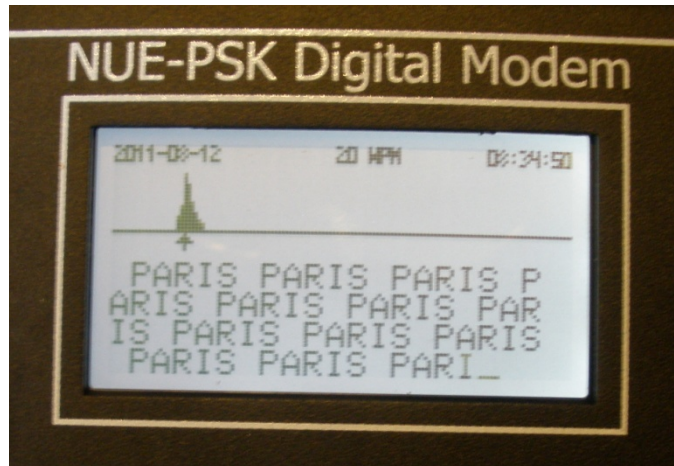


Appendix D: Optional USB+RTCC Card Schematic (rev A, A3 and A4)



CW Mode

Operating Section



| | | |
|---------------|---|-----------|
| 18 | INTRODUCTION | 33 |
| 19 | <u>GENERAL DESCRIPTION</u> | 34 |
| 19.1 | TUNING | 34 |
| 19.2 | CW RECEPTION..... | 35 |
| 19.3 | CW TRANSMISSION | 36 |
| 20 | <u>FUNCTIONAL DESCRIPTION</u>..... | 37 |
| 20.1 | CW TRANSMISSION | 37 |
| 20.1.1 | 3.1.1 Status Display..... | 37 |
| 20.1.2 | Transmit Side Tone | 38 |
| 20.1.3 | Keyboard Input..... | 38 |
| 20.1.4 | Transmit Text Display | 39 |
| 20.1.5 | CW Macros..... | 40 |
| 20.2 | CW RECEPTION..... | 40 |

| | | |
|-------------|---|----|
| 20.2.1 | SPACE Processing..... | 41 |
| 20.2.2 | MARK Processing | 42 |
| 20.2.3 | Receive Text Display..... | 43 |
| 20.2.4 | Spectrum Display | 43 |
| 20.2.5 | Receive Decode Parameters | 44 |
| 21 | <u>CONFIGURATION</u> | 47 |
| 21.1 | EEPROM MAP | 47 |
| 21.2 | CONFIG.TXT FILE | 47 |
| 22 | <u>OTHER V4.00 CHANGES</u> | 47 |
| 22.1 | DATE FORMATS | 48 |
| 22.2 | ENTERING THEIR CALL AND MY CALL | 48 |
| 22.3 | SERIAL NUMBERS | 50 |
| 22.4 | KEYER INPUT..... | 51 |
| 22.5 | DEFAULT RECORD (LOG) FILE NAME..... | 52 |
| 22.6 | BATTERY VOLTAGE DISPLAY..... | 52 |
| APPENDIX A: | CW CODE/CHARACTER CONVERSION TABLE..... | 53 |
| APPENDIX B: | NEW CONFIGURATION OPTIONS AND HOT-KEYS..... | 54 |
| APPENDIX C: | RECOGNIZED PROSIGNS | 56 |
| APPENDIX D: | EEPROM CONTENTS..... | 57 |
| APPENDIX E: | CONFIG.TXT..... | 59 |
| APPENDIX F: | HOT KEY MAP..... | 61 |

18 INTRODUCTION

This section describes the CW operating mode. This added operating mode is implemented in firmware and is available with all hardware versions and options. Adding the CW operating mode to an existing NUE-PSK modem will only require a firmware update. Before getting into the details, some definitions are in order.

Throughout this specification the term “SPACE” refers to a key-up condition and the term “MARK” refers to a key-down condition. The term “DIT” refers to the MARK duration of a Morse code dot and the term “DAH” refers to the MARK duration of a Morse code dash. DITs and DAHs are referred to as “Morse elements”. Morse elements are combined to form characters. Characters can be letters, numbers, punctuation marks, and prosigns. A prosign is a combination of elements representing something other than the characters and, in this context, something unique to amateur radio. Throughout this specification, prosigns are represented by two, lower-case, boldface letters the Morse code characters for which are sent, run together, with no inter-character space between them. Familiar prosigns include **bk** (Break) and **sk** (Silent Key). Normal, alpha Morse characters are represented as upper-case, boldface letters.

The terms “intra-character SPACE” and “inter-element SPACE” refer to the duration of the SPACE between DITs and DAHs within a character. The term “inter-character SPACE” refers to the SPACE duration between characters. The term “inter-word SPACE” refers to the SPACE duration between words.

A basic time unit (T_{cw}) is used to quantify time durations of Morse code elements and SPACES. Standard Morse code durations for Morse elements and SPACES are as follows:

DIT 1 x T_{cw} (“short MARK”)
DAH 3 x T_{cw} (“longer MARK”)
Inter-element SPACE 1 x T_{cw} (between DITs and DAHs within a character)
Inter-character SPACE ... 3 x T_{cw} (between characters)
Inter-word SPACE 7 x T_{cw} (minimum, between words)

Since all timing is derived from T_{cw} , its duration determines the transmission rate commonly stated in “words per minute” or “wpm”. A standard “word” has been defined for computing wpm. That word is “PARIS ” which, in Morse code, has ten DITs and four DAHs and contains exactly 50 T_{cw} including the ending inter-word SPACE. Using this

standard word, the relationship between Tcw and wpm is: $wpm = 1200 / T_{cw}$, where Tcw is expressed in milliseconds and all element and SPACE durations are standard as listed above.

19 GENERAL DESCRIPTION

While receiving CW, the modem will copy and display standard Morse code characters received through an audio output from a transceiver. While transmitting, the modem will transmit standard Morse code characters as entered by the operator or contained in macros via the audio input to a transceiver. The transceiver shall be in DATA, PACKET, or SSB mode, **not CW mode**. CW mode is selected for the modem using the MODE entry in the configuration menu system. Once CW mode is activated, the modem will be in the receive state until transmission is activated. The transmit state may be activated or deactivated in a number of ways as described below.

19.1 TUNING

Normally, the transceiver translates received RF to baseband audio referenced to the frequency displayed on the transceiver dial. The modem uses DSP techniques to analyze and demodulate the audio signal and extract the desired information according to the mode the modem is operating in. The modem can process signals in a 2 KHz spectrum of audio frequencies ranging from 500 Hz to 2500 Hz; however, in CW mode, the tuning range is limited to 1500 Hz at the top end. Tuning is aided with a spectrum display representing the energy detected in each of 128 frequency slices or “buckets”. Each bucket represents a 15.625 Hz slice of the spectrum and is displayed as a vertical bar chart or histogram. The length of each of the 128 bars represents the amount of energy detected in the associated bucket. The histogram data is generated by a 512 term, Fast Fourier Transform with a sampling rate of 8,000 samples per second.

The spectrum display includes a cursor representing the current frequency of interest. The cursor may be moved in a couple of ways by the operator. During normal operation, the operator sets the transceiver frequency dial to a base frequency and can then tune the modem to cover a range of between 500 Hz and 1500 Hz above the base frequency. Tuning can also be done by leaving the modem cursor at a fixed position (e.g., at 800 Hz) and tuning the transceiver to move displayed bars to the cursor. Generally it is more convenient to do gross tuning (1 KHz increments) with the transceiver and fine tuning with the modem

The normal modem tuning features are available in CW mode; however, the tuning range is limited to a maximum of 1500 Hz and confined to the left half of the display.

During operation, the transceiver is tuned to get the desired signal's bucket on the display. This is done by listening to the transceiver audio and watching the modem display as the transceiver is tuned. Fine tuning is then done by moving the cursor to the bucket. The modem tuning controls allow tuning in steps of 10, 5, 2, or 1 bucket from the keyboard. The modem also provides a tuning dial that can be rotated left or right to move the cursor down or up the spectrum display. In receive mode, pressing the End key on the keyboard will activate the Acquire function and the cursor will automatically be moved to the bucket with the most energy within two buckets of the current bucket. The Acquire function is automatically activated after a short timeout following any tuning of the modem.

It will not be apparent to the operator but the dial frequencies on the two transceivers will be off by the modem tuning frequency when the remote transceiver is operating in CW mode. For example, if the local transceiver is tuned to 14,060.00 KHz and the modem is tuned to 800 Hz, the remote transceiver will be tuned to 14,060.80 when its tuning indicator indicates "on frequency".

Note that the FFT generation is much too slow to be used for demodulating the CW signal. It is only intended as an aid to tuning. Instead, a specialized DFT algorithm called a "Goertzel filter" is used to process the raw ADC output. The Goertzel algorithm is very fast to compute and very efficient when the application only requires analysis of a small number of frequencies when only energy levels are needed and phase information is not needed. The most common use for Goertzel filters is to decode the DTMF tones generated by telephone keypads.

19.2 CW RECEPTION

In order to receive CW accurately, the signal must have certain characteristics often attributed to an operator with, what is commonly referred to as, a "good fist". Best results will be obtained by the modem when the signal is generated by a computer (or a microcontroller) and strictly follows normal Morse code standards (e.g., a DAH is three times a DIT, inter-word SPACES are at least 7 DITs, etc.). This case includes modem-to-modem CW communication. The most probable causes of errors will be received signal fading (QSB), interference from other stations operating near our operating frequency (QRM), or excessive noise (low Signal-to-Noise ratio) in the receive channel. Some of these sources can be handled through filtering, adjusting the gain of the input amplifier, or adjusting the MARK-SPACE threshold level. There are limits, however, and solid CW copy by the modem will require a fairly strong, distinct, and clear tone

from the receiver audio channel with the receiver tuned to produce a CW side tone within the 1 KHz audio spectrum processed by the modem in CW mode.

The second-best choice would be an electronic keyer operating in fully automatic mode so that it will strictly control the duration of DITs and DAHs and the SPACE between them. In this mode, the transmitting operator is responsible for inter-character and inter-word SPACE duration. The receive algorithm will try to accommodate variations in this timing but there are limits. (Some of the parameters used to define various CW elements can be tweaked manually by the operator.) The following are some of the problems that will occur when these limits are exceeded:

- Inter-word SPACE too short words run together
- Inter-character SPACE too long .. extra spaces between characters
- Inter-character SPACE too short . characters run together

The third-best choice would be an electronic keyer operating in semi-automatic (“bug”) mode where the keyer controls the DOT duration and the SPACE between consecutive DOTs and but the operator is responsible for DASH durations, the SPACES before and after DASHES, and those items listed above for an electronic keyer in fully automatic mode. Exceeding limits in these areas adds the following to our list of problems:

- DASH duration too short..... DASHs interpreted as DOTs
- Inter-DASH SPACE too long characters split into two or more false characters
- Inter-element SPACE too short ... missed DOTs (combined into long DASHs)
- Inter-DASH SPACE too short missed DASHs (combined into very long DAHs)

These conditions can also cause the modem to recalculate an inaccurate Tcw which will affect the accuracy of decoding following characters.

19.3 CW TRANSMISSION

During CW transmission, the operator selects a transmission speed (words per minute or “wpm”) and all Morse elements, inter element, and inter character durations are determined by that selection. A minimum inter-word duration is determined by the modem but this duration may be extended by keying additional spaces between words or by pauses in the keyed input. The minimum, transmitted inter-word SPACE duration is set at seven Tcw. Transmitted inter-element SPACE durations are set at one Tcw; inter-character SPACE durations are set at three Tcw. The primary objective in transmit

mode is to send perfect Morse code according to the standards described in the INTRODUCTION above.

20 FUNCTIONAL DESCRIPTION

The heartbeat of CW mode is a timer that generates an interrupt every millisecond. The interrupt service routine (ISR) increments three counters: space_msec, mark_msec, and last_trans. The first two are used to time SPACES and MARKS, respectively, during CW receive operations. The third is used to time how long it has been since the last transition between a SPACE and MARK levels and is used to filter out short noise bursts in the receive channel. The general firmware structure is such that the time spent in the ISR is minimized. All the processing functions are called from the main control loop, outside of any ISR. The CW control loop has two function calls. A state variable (cw_state) determines which of two CW receive functions is called. One receive function runs during key-up (SPACE) and the other during key-down (MARK).

20.1 CW TRANSMISSION

The modem always starts CW mode in receive state. Transmit state is activated when one of the following occurs:

- The operator presses and releases F10
- A macro is played containing a <TXON> tag at the start of the macro.

The modem will return to receive state when one of the following occurs:

- The operator presses and releases F10
- A macro is played containing a <TXOFF> tag

The same display area is used to display received and transmitted text, one at a time. The transceiver is always in transmit mode when the modem is in CW transmit state. The transceiver will not go into receive mode until the modem state is changed to receive which releases PTT. Because of this, it is not possible to “hear” received characters between transmitted characters and true QSK operation cannot be supported.

20.1.1 3.1.1 Status Display

At this point, the spectrum display is cleared and replaced by the following status information displayed on the second and third lines of the LCD display:

“TX CW WPM: WW
SIDE TONE: SSSS Hz”

Where “WW” is a two-digit representation of the current wpm (words per minute) setting. The wpm setting may be varied between 5 wpm and 50 wpm by turning the tuning knob when the above status is displayed (modem in the CW transmit state).

20.1.2 Transmit Side Tone

As an added feature, the modem’s beeper may be used to generate a side tone so the operator can listen to the Morse code being transmitted. The transmit side tone generator is toggled on and off by pressing and releasing the ESC key while in CW transmit state. The side tone frequency can be adjusted by holding the CONTROL key down while turning the tuning knob. The frequency can be adjusted to any of nine frequencies between 400 and 2,000 Hz. There is no volume control; however, the frequency response of the “speaker” is such that some frequencies sound much louder than others. Changing the side tone frequency offers some control of the side tone apparent volume. (My preferred side tone frequency is 1333 Hz.)

The three or four digit display “SSSS” is the current side tone frequency in Hertz. Note that side tone frequency is only displayed and can only be changed in transmit state when the transmit side tone is turned on. The side tone frequency selection applies to both the transmit and the receive side tones. The on-off state of the side tone, the side tone frequency, and the wpm will be saved with a saved configuration and automatically restored each time the modem is powered up. They are also included in the CONFIG.TXT file.

20.1.3 Keyboard Input

In CW mode, the keyboard is forced into Caps Lock mode where all keyed alpha characters will be entered as upper-case letters unless a SHIFT key is pressed. All alpha characters keyed while the SHIFT key is depressed will be entered as lower-case letters. Lower-case letters are transmitted as prosigns by following the last CW element with a single (one Tcw) inter-element SPACE instead of the normal (three Tcw) inter-character SPACE. For example, keying Shift-B, K, and Space will result in the prosign **bk** being transmitted as “-...-.-”.

During CW transmission, keystrokes are queued as ASCII characters in a first-in-first-out (FIFO) buffer until a code representing a space code is buffered. At this point, characters are read, one at a time, from the FIFO, translated to Morse characters, and transmitted up to and including the space character which is transmitted as an inter-

word SPACE. Sending words as a contiguous block of Morse characters avoids pauses in the input keying causing the insertion of unwanted, inter-word SPACES in the transmitted text. The inter-word SPACE duration is only specified as minimum so longer pauses between words generally do not cause a problem (assuming the delay does not exceed the receiving operator's level of patience). This approach also allows error correction and editing within words. When the operator continues keying during transmission, space characters are counted as they are entered into the FIFO. This count is decremented each time a space character is removed from the FIFO. As long as the space count is greater than zero, transmission will continue. Note that Prosigns follow the same rules as other characters and will not be transmitted until they are followed by a space character in the FIFO.

The transmit FIFO is 256 characters deep and is a circular or "ring" buffer. That means that after the last character position in the buffer is loaded, the next character will be loaded in the first character position of the buffer. There is no overrun check, if buffer input gets 256 characters ahead of the transmitted data stream, the 256-character contents of the buffer will be lost and will not be transmitted. It is recommended that the operator not have more text queued for transmit than will fit in the transmit text area of the LCD display. This corresponds to about 80-character type-ahead. (The full 256 character FIFO capacity is required for queuing macros for transmission.)

20.1.4 Transmit Text Display

Keyed CW text characters are displayed on the lower four lines of the graphic LCD display as they are entered even though there will usually be a time delay until they are transmitted. Keyed characters are displayed on the LCD with a continuous over line. For example:

AD7JT

If this is all that is keyed, nothing will be transmitted. The first character is only transmitted after a space code is keyed and entered in the buffer. As each character is transmitted, the over line is removed to indicate to the operator what has been transmitted and what remains queued to be transmitted. The modem maintains a count of the number of un-transmitted space codes in the transmit buffer. This count is incremented each time a space code is inserted into the transmit buffer and is decremented each time a space code is read from the buffer. Transmission will continue as long as the space count is greater than zero. When the space count is

decremented to zero, transmission will pause until another space code is inserted in the buffer.

Since CW text is essentially transmitted in words, it is not possible to backspace in (or into) a word that has started to be transmitted. In other words, the backspace key will not work when the space count is equal to one. It will work when the space count is equal to zero indicating there is only one word to be transmitted in the buffer and a trailing space has not been entered. It will work when the space count is greater than one indicating there are at least two words in the buffer and the last one has not started to be transmitted. It is not possible to backspace into a word on the display that has already been transmitted (no over line). Backspacing is also limited to the bottom two lines of the text display.

The hot-keys Alt-M, Alt-T, and Alt-S may be used to insert “My Call”, “Their Call” and a serial number (see Section 5.3) in the transmit buffer. In these cases, the characters are entered as if the operator keyed them and they are displayed with the over line. They will not be transmitted until a following space code is keyed. The call signs must be entered (Ctrl+M and Ctrl+T) with upper-case letters to avoid generating unwanted prosigns. Spaces in a call sign are not allowed and may cause erratic behavior.

20.1.5 CW Macros

When macros are played, the characters are displayed as they are transmitted so over lines are not used. They also do not require an ending space code to transmit the last word in the macro. If a macro does not end in a space code or <TXOFF>, a space code will be automatically added to the end of the macro as it is buffered for transmission. The CW macros are a different set of macros than the ones used by the other, digital modem modes. They are accessed normally (F1 – F7) but only when the modem is in CW mode. The normal Ctrl-key combinations may be used to insert <TXON>, <TXOFF>, <MYCALL>, <THEIRCALL> and <SERIALNO> (see Section 5.3) codes in macros. Note that the data is case sensitive. Normal alpha text must be entered as upper case letters. Lower-case letters will generate prosigns as described above. Each of the seven CW macro buffers can hold up to 255 characters.

20.2 CW RECEPTION

As previously described, during CW reception, the transceiver audio is monitored over a specific frequency spectrum and shown in the spectrum display in the top three lines of the LCD display. A Goertzel filter is used to detect the MARK-SPACE signals being received in a pass band centered on the selected bin of the FFT process. The output of the Goertzel filter is processed by one of two functions. Which is used depends on the

last noted state of the received signal. These functions time the duration of the received MARKs and SPACES and determine the type of elements and SPACES received. The MARK types (DOT and DASH) are buffered until an inter-character SPACE is received. The buffered MARK types are interpreted and translated to a Morse character or a prosign and displayed on the lower half of the graphics display as described above.

20.2.1 SPACE Processing

When CW mode is first entered, it is assumed the receive state is SPACE. The SPACE processor first checks the state of the received signal to determine if it is still SPACE. If it is, it then determines the duration of the current SPACE. This is done by testing the value of the space_msec counter. This counter is cleared when the received signal transitions from MARK to SPACE so it will contain the duration of the current SPACE code in milliseconds.

When the received signal changes back to MARK in less than 5 milliseconds, the SPACE is assumed to be the result of noise in the input and is ignored. In this case, the modem goes back to MARK processing as if the transition to SPACE had not occurred. Note that the mark_msec timer is still running so no time information is lost.

When the SPACE duration is greater than the Tcw count limit for inter-character SPACE, the accumulated MARKs are translated to ASCII per the table in Appendix A and displayed. After each character is displayed, the current wpm is calculated and displayed at the center of the top line of the graphic LCD display. Note that the wpm will not be displayed until at least one character has been received and Tcw can be calculated.

When the SPACE duration exceeds the Tcw count threshold for inter-word SPACE, a space character is displayed on the graphic display. At this point, the received signal is only monitored to determine when it transitions from SPACE to MARK. At that point, the receive state is changed to MARK, the mark_msec timer is reset to zero, and the next call from the main control loop will be to the MARK processing function.

During SPACE processing, two thresholds or fences are computed and used to detect inter-character and inter-word SPACES in the received signal. The durations of the last ten spaces that are shorter than the current inter-word SPACE are saved and their average computed each time a new SPACE is added to the buffer. The character SPACE fence is set to twice this average. (Remember that intra-character SPACE durations are nominally one Tcw and inter-character SPACE durations are nominally three Tcw, giving an average of two Tcw durations.) The second fence is used to detect

inter-word spaces. It is nominally set to 2.5 times the character SPACE fence. Both of these fences can be adjusted by the operator in increments of tenths of one Tcw duration as described in later sections.

20.2.2 MARK Processing

MARK processing consists of measuring and buffering the duration of each MARK received and the recalculation of Tcw to adapt to changes in received data rates. All MARK processing is done when the function detects the received signal has transitioned from MARK to SPACE. The first check is to make sure the MARK duration is greater than 5 milliseconds. If it is not, it is ignored and the receive state is changed back to SPACE. Note that the space_msec counter has not been reset and is still measuring the SPACE duration. It is assumed that any MARK shorter than this is the result of signal interference. (At 99 wpm, the shortest MARK is about 12 milliseconds long.) This action constitutes a noise filter.

After the MARK to SPACE transition has been validated, the MARK duration is noted and compared with a “fence” that is computed by analyzing the last 32 elements received. When the duration is greater than the fence, it is recorded as a DASH; otherwise it is recorded as a DOT. After a MARK is classified as a DOT or a DASH, it is buffered in a MARK buffer. Each entry consists of a code identifying it as a DOT or a DASH.

The MARK buffer can contain up to 8 MARKs. When this limit is exceeded (buffer overflow), the buffer is cleared and a pound sign (#) is displayed. The average duration and the average mean deviation of the last 32 MARKs received and saved are calculated. The results of these calculations are used to generate new values for Tcw and the DOT-DASH fence. To avoid skewing these results when long strings of DOTs or DASHs are received, all repeated Morse elements after a specific number (the zkew limit) are left out of the average calculations. An element is considered to be repeated when its duration is within +/- 12.5% of the duration of the last element received and saved. An exception is made if four times the absolute value of the mean deviation average is greater than the current MARK average. In this case, the current MARK is accepted regardless of the value of the proceeding MARK duration. This algorithm decreases the amount of time required to adapt to rapid changes in received wpm which may occur, for example, when changing frequencies.

The fence (used to differentiate between DOTs and DASHs) is calculated as the average of all the values in the MARK buffer plus the average mean deviation. Ideally,

the buffer will contain an equal number of DOTs (1 x Tcw) and DASHs (3 x Tcw) and the average mean deviation will be zero resulting in a fence value of 2 Tcw.

Making these calculations at the end of each MARK received enables the receive function to adapt to changes in received wpm. The number of samples used by these calculations determines the speed and accuracy of the results. The lower the number, the faster it will adapt. The higher the number, the more accurate the results will be. The number of samples currently used for these calculations is 32. If desirable, in a future release, this number may be adjusted somewhat by the operator to better suit requirements and band conditions. [The mechanism for this is TBD].

Note that similar analysis is done on SPACE time durations but not as thorough (or as complex) as is done on MARK time durations. This is because MARK durations are generally determined by a keyer or a computer and are, therefore, much more accurate than spaces which can depend on the skill of the sending operator. The Tcw calculated from MARKs is used as a time base for SPACE duration fences.

20.2.3 Receive Text Display

In receive state, received and decoded CW text is displayed on the bottom four lines of the graphic LCD display. Each line displays up to 20 characters. As in other modes, lines are scrolled up when the end of the bottom (eighth) line is reached. Characters are displayed as they are decoded. Normal text is displayed as upper-case letters; recognized prosigns are displayed as pairs of lower-case letters. Recognized prosigns are listed in Appendix C.

Unrecognized (invalid) Morse characters are displayed as a single asterisk ('*'). When a character overflows the 8-entry MARK buffer the buffer is cleared and a pound sign ('#') is displayed.

20.2.4 Spectrum Display

The standard FFT display covering the range of 0.5 to 2.5 KHz (above the frequency the receiver is set to) is displayed on the top half of the graphic LCD display along with the optional RTCC date and time information. In receive state, the current, computed receive wpm is displayed in the center of the top line.

In receive mode, the right half of the spectrum display can be used to display and/or modify/edit one of a number of parameters as described in following subsections. In all cases, pressing Enter will clear this portion of the display. Switching to transmit mode will also clear this portion of the display but it will be refreshed after switching back to

receive mode. The refreshed screen will be displaying the same parameter(s) that was (were) displayed when the modem last switched to transmit mode.

20.2.5 Receive Decode Parameters

There are four parameters affecting the decode operation which may be adjusted within limits by the operator. Two of the parameters define the thresholds for recognizing a SPACE as being inter-character or inter-word. These thresholds are expressed in Tcws. The third parameter specifies the number of (near) equal, consecutive MARK durations that will be accepted and used for timing calculations. The fourth parameter is the Goertzel filter threshold level or fence between MARK and SPACE levels. These parameters and their range limits are as follows:

- Inter-character SPACE (Char): ... 1.6 to 6.0 Tcw with 0.1 Tcw precision
- Inter-word SPACE (Word): (Char + 0.5) to 12.0 Tcw with 0.1 Tcw precision
- Skew Limit (Zkew): 2 to 6 MARKs
- Goertzel threshold (Th): 200 to 250,000 in steps of 200 (Th <=10,000) or 1000 (Th >10,000)
- Bandwidth (BW)..... 100 to 1000 Hz, nine selections

These parameters may be displayed in CW receive state by the operator depressing any one of the first letters in the parameter name ('C', 'W', 'Z', 'T' (or 'G'), or 'B'). When one of these characters is depressed, the right half of the spectrum display area is used to display the parameter name abbreviation, the allowed range, and the current value. Received data continues to be displayed on the lower four lines of the LCD display.

The Char display is as follows:

```
"2011-09-14 13.5 V. 26 WPM 17:48:16"  
"   Char: 1.8"  
"  _____"  
"  | ^ |"  
"
```

The Word display is as follows:

```
"2011-09-14 13.5 V. 26 WPM 17:48:16"  
"   Word: 5.1"  
"  _____"  
"  | ^ |"  
"
```

The Zkew display is as follows:

```
"2011-09-14 13.5 V. 26 WPM 17:48:16"
```

```
"      Zkew: 02"
```

```
"      (02-06)"
```

```
"  [ ^ ]      "
```

The Th display is as follows:

```
"2011-09-14 13.5 V. 26 WPM 17:48:16"
```

```
"      Th: 3326"
```

```
"      (64K-200)"
```

```
"  [ ^ ]      "
```

The BW display is as follows:

```
"2011-09-14 13.5 V. 26 WPM 17:48:16"
```

```
"      CW BW: "
```

```
"      400 Hz"
```

```
"  [ ^ ]      "
```

The lower four lines of the display continue to display received CW text and the FFT spectrum display continues to operate.

Changes to the displayed parameter are made with the '+' and '-' keys. The plus will add 0.1 to Char or Word, 1 to Zkew, or 200 to Th. The minus key will subtract 0.1 from Char or Word, 1 from Zkew, and 200 from Th. The range allowed for the parameter is displayed on line three below the parameter name. The minimum for Word is computed to be 0.5 greater than the current value of Char. When the operator tries to change a parameter to a value outside the displayed range, the parameter is restrained to the displayed limit. When Char is changed, the minimum limit for Word will be changed accordingly and if the changed Char value is less than 0.5 below the current Word value, the current Word value (and minimum) will be changed to the Char value plus 0.5.

The significance of Char, Word, and Zkew should be obvious from the above discussion. The significance of Th is a little more obscure. The Goertzel filter a fence used to determine whether the received signal is a MARK or a SPACE is computed as previously described. The units used are not standardized so only relative values are used. The energy level computations tend to range between 100 and over 250,000 units and are affected by the gain of both the transceiver and the modem. Normally, the Goertzel function calculates the fence value based on two running averages, one for high levels (above the current fence) and one for low levels (below the current fence).

When the operator presses a 'T', the current threshold fence value is displayed. Since the display is constantly updated, the operator can watch how the threshold is changing with incoming signal strength. When the operator presses a '+' or '-' key, the fence value calculation is suspended (is locked) and the fence value comes under control of the operator until the Enter key is pressed. When the operator presses the Enter key in receive state, the fence value is unlocked and is again calculated by the Goertzel filter function.

The Char and Word values are also continuously calculated by the modem. When one of these is selected, the displayed value will be updated continuously. When the operator presses a '+' or '-' key, the value is locked and comes under control of the operator until the Enter key is pressed. Note that any or all three (Char, Word, and Th) may be locked at the same time. Zkew and CW BW are always locked and under control of the operator.

The CW BW display allows selection of one of nine bandwidths for the Goertzel filter. When the operator presses a 'B', the current bandwidth is displayed. Pressing the '+' or '-' key will move up or down through the available bandwidths. The following options are available:

- 100 Hz
- 125 Hz
- 160 Hz
- 200 Hz (Default)
- 250 Hz
- 400 Hz
- 500 Hz
- 800 Hz
- 1000 Hz

Note that the narrower bandwidths may reduce the top keying speed (wpm) the modem can copy. The bandwidth is not saved in the EEPROM nor is it saved or restored with the writing or reading of the CONFIG.TXT file. Each time the modem is turned on, the bandwidth is set to the default value. The current pass band is shown graphically as a box around the cursor.

Pressing the Enter key will return the upper portion of the LCD display to the normal FFT spectrum display. At this point, any locked parameters will be unlocked and will again come under control of the modem. Note that none of the keys listed in this

section are case (or shift) sensitive and the shift key is ignored. This includes the '+' (or '=') and '-' (or '_') keys.

21 CONFIGURATION

A number of modem configuration parameters have been added to support the CW mode of operation. These parameters can be saved in the EEPROM so they will be reloaded each time the modem is powered up. When the USB option is installed, the contents of the EEPROM may be saved to or loaded from a USB thumb drive.

21.1 EEPROM MAP

The current contents of the EEPROM are shown in Appendix D. The new entries supporting CW operation are shown in bold face type.

21.2 CONFIG.TXT FILE

The CONFIG.TXT file format has been extended to include several CW-specific entries. The new file format is shown in Appendix E. The added items are on lines 16 through 29. Most of the items should be self-explanatory. Line 17 configures the side tone frequency for both the RX and TX side tones. The parameter value for this line may have any integer value between 2 and 10. The side tone frequency is equal to $4000/N$ Hz, where N is the parameter. This gives the following frequency options:

| <u>N</u> | <u>FREQ</u> |
|-----------------|--------------------|
| 10 | 400 Hz |
| 9 | 444 Hz |
| 8 | 500 Hz |
| 7 | 571 Hz |
| 6 | 666 Hz |
| 5 | 800 Hz |
| 4 | 1000 Hz |
| 3 | 1333 Hz |
| 2 | 2000 Hz |

22 OTHER V4.00 CHANGES

The following features are not strictly CW features but were added to the same release introducing CW mode.

22.1 DATE FORMATS

Version 3.01 changed the date format from “MM/DD/CCYY” to “CCYY-MM-DD”. This version adds a configuration option to select one of three date formats. A “Save Config” operation will save the current date configuration in the EEPROM. Each time the modem is powered up, the saved date format will be initialized to the value in the EEPROM. The date format is not, however, saved with an “Upload Config” operation nor is it changed by a “Download Config” operation.

The user may select any one of the following date formats:

“CCYY-MM-DD” (default)
“MM/DD/CCYY”
“DD/MM/CCYY”

Where:

“CC” is the century number (00 through 84)
“YY” is the year number (00 through 99)
“MM” is the month number (01 through 12)
“DD” is the day of the month(01 through 27, 28, 30, or 31 depending on the month and leap year status)

The selected date format will be used to display the date on the LCD screen and to format the dates in timestamps when logging transmitted and received data. The selected date format is also used when manually entering a new date (Ctrl-D).

22.2 ENTERING THEIR CALL AND MY CALL

Previous versions cleared the LCD screen and paused the receive operation while the user entered “Their Call” and “My Call”. This version allows the entering of “Their Call” and “My Call” and the incrementing and decrementing of a three-digit serial number (see Section 5.3) without interrupting the receive operation. This change applies to all modes of operation, the old, full-screen method is no longer provided for entering Their Call and My Call. The new method uses the second and third lines of the right side of the LCD display while the received characters continue to be displayed on the last four lines of the display. This is especially convenient for entering Their Call since it leaves the received call sign displayed while it is being entered. The modem continues to receive and display characters so Their Call can be entered during the initial exchange without waiting for the end of the received transmission.

The enter My Call (Ctrl-M) display is as follows:

```
"2011-09-14 13.5 V. 26 WPM 17:48:16"  
"      My Call:  "  
"  AD7JT      "  
" | ^ |      "
```

The enter Their Call (Ctrl-T) display is as follows:

```
"2011-09-14 13.5 V. 26 WPM 17:48:16"  
"          Their Call:"  
"  N2APB          "  
" | ^ |          "
```

In both cases, the current call letters will be displayed when the Ctrl-M or Ctrl-T key is pressed and the cursor positioned just to the right of the last character displayed. There is no visual cursor.

The displayed call sign can be edited by using the backspace key to delete characters and move the cursor to the left. Pressing the home key will clear the current call sign and position the cursor in the first character position. Since Space characters are not allowed in call signs, any Space character keyed by the operator while entering a call sign will be ignored.

After My Call has been entered or edited, pressing Enter (or Ctrl-Z) will save it to EEPROM and it will be persisted when modem power is turned off. Their Call is maintained in RAM and is updated in-place and will not be persisted when modem power is turned off. Their Call can be used immediately, it is not necessary to press Enter (or Ctrl-Z) to save it. Both call signs are limited to 11 characters (previous firmware versions allowed up to 12 characters).

The information is displayed as an overlay. That is, it is ORed with the spectrum display so that the spectrum information can still be seen when entering call signs. The ORing is done in such a way as to display this information in reverse video when it overlaps bars in the spectrum display.

Note that displays that include call signs may be cleared using either of two key sequences Enter or Ctrl-Z. They both clear the current display but Enter will also unlock the Word, Char, and Th parameters if they are locked when Enter is pressed. Ctrl-Z will not unlock these parameters. Note also that pressing Enter at any time while in receive

mode will unlock these three parameters whether or not any of them are displayed when Enter is pressed.

22.3 SERIAL NUMBERS

Many amateur radio contests require each QSO exchange to include a serial number that usually starts at 001 and is incremented by one for each QSO logged. This release includes a new tag "<SERIALNO>" for macros to insert a three-digit serial number in the transmit data stream. It also includes hot-keys for incrementing, decrementing, and resetting the serial number. The serial number value is stored in the EEPROM but is not included in the CONFIG.TXT file. This allows the serial number to be preserved when modem power is turned off and to not be disturbed when downloading CONFIG.TXT to, for example, update macros. There are actually two different displays associated with serial numbers.

The basic Serial Number display is activated when in receive state by pressing 'S' or 's'. The display is as follows:

```
"2011-09-14 13.5 V. 26 WPM 17:48:16"  
"          S/N: 123          "  
"          - - - - -          "  
" | ^ |                      "
```

Pressing the '+' (or '=') key will increment the serial number by one. Pressing the '-' (or '_') key will decrement the serial number by one. Pressing the Home key will reset the serial number to 001. The allowed range is 001 through 999. Attempting to change the value to less than 001 or more than 999 will cause an audible Beep and the number will not change. This display can be closed by pressing Enter or any of the other recognized receive state hot keys.

The second display containing the serial number also displays Their Call. This allows the operator to manage both the serial number and Their Call while in receive state. As is the case for all displays using the upper-right portion of the display, the receive operation continues and received characters will be displayed on the last four lines of the display.

The combined Serial Number and Their Call display is activated when in receive state by pressing 'X' or 'x' while in receive state. The display is as follows:

```
"2011-09-14 13.5 V. 26 WPM 17:48:16"  
"          S/N: 123          "  
"          N2APB          "  
" | ^ |          "
```

When this display is shown, the keyboard control functions for both the Serial Number and Their Call are available to the operator with one exception. The exception is the Home key. In the basic Serial Number display, pressing the Home key will reset the serial number to 001. Here, pressing the Home key will clear Their Call. This has the advantage of protecting the operator from inadvertently clearing the Serial Number in the heat of a contest. The displayed call sign can be edited as described above for the Their Call display. Both the serial number and Their Call are updated immediately so it is not necessary to exit the display before using new values.

Since all the letter and number keys are available for editing Their Call, this display can only be closed by pressing the Enter key (or Ctrl-Z). This is the recommended display for actual contesting because of the protection against resetting the serial number. If the operator is not using Their Call (e.g., when only answering CQs in “seek and pounce” mode), just press Home to clear the Their Call line making the spectrum display more visible.

When serial numbers are transmitted in CW mode, each leading zero is replaced with a single DASH (‘T’). For example, a serial number of 005 will be transmitted as “TT5”. This is a common convention followed by most CW contest participants. In all other modes, leading zeroes are transmitted as zeroes (‘0’).

When recording a macro, pressing Alt-X or Alt-S will enter the serial number tag into the macro text. When the macro is played back, the then-current serial number will replace the tag in the transmitted text. When keying transmit data in transmit state, pressing Alt-X or Alt-S will insert the then-current serial number in the transmit buffer. In CW mode, the serial number will be displayed with an over line indicating the text has not been transmitted. Transmission of the serial number will not start until at least one space character is entered following the serial number. At any time before the modem has started to transmit the serial number, the serial number may be edited or deleted by the operator using the Back Space key.

22.4 KEYSER INPUT

This change is related to CW mode but is not required for CW operation. Expansion pad b on the main modem board is used as an input to allow an external keyer to be used as input to the CW decode logic. This input is ORed with the Goertzel filter output.

To use this feature, add a wire to expansion pad b and 2-pin connector. The second pin is to be grounded. Shorting the two pins together will present a key-down (MARK) to the decode logic. This feature was added primarily as a test and debug aid for developing the CW decode logic but it would have some value as a CW training and / or demonstration aid.

22.5 DEFAULT RECORD (LOG) FILE NAME

Previous versions required a valid Log File name in the EEPROM for RECOding mode to work properly. If the EEPROM did not contain a file name, a no-name file would be created on the flash drive which results in Illegal Path errors when attempting to read the file on a PC. This can happen, for example, when a CONFIG.TXT file is downloaded with a blank Log Fname field. When this happened, the only way to clear the error was to reformat the flash drive. This version added a check of the saved file name and if none, uses a default file name. The default file name is "REC.TXT".

22.6 BATTERY VOLTAGE DISPLAY

A constant display of the current battery voltage was added to the top line of the display. The battery voltage display was removed from the splash screen and the configuration menu.

```
"2011-09-14 13.5 V. 26 WPM 17:48:16"  
"  
"  
" | ^ |"
```

When the voltage drops below 9 volts or rises above 40 volts, the battery voltage will be displayed in reverse video. This is the input voltage range specified for the modem's five volt regulator.

```
"2011-09-14 8.8 V. 26 WPM 7:48:16"  
"  
"  
" | ^ |"
```

APPENDIX E: CW CODE/CHARACTER CONVERSION TABLE

| CHAR | DEC | HEX | MORSE | PROSIGN |
|------|-----|------|---------|---------|
| | 32 | 0x20 | SPACE | |
| ! | 33 | 0x21 | | |
| " | 34 | 0x22 | .-...- | |
| # | 35 | 0x23 | | |
| \$ | 36 | 0x24 | | |
| % | 37 | 0x25 | | |
| & | 38 | 0x26 | | |
| ' | 39 | 0x27 | | |
| (| 40 | 0x28 | -...- | KN |
|) | 41 | 0x29 | | |
| * | 42 | 0x2A | ...-- | SK |
| + | 43 | 0x2B | .-...- | AR |
| , | 44 | 0x2C | --...-- | |
| - | 45 | 0x2D | -...-- | |
| . | 46 | 0x2E | .-...- | |
| / | 47 | 0x2F | -...- | |
| 0 | 48 | 0x30 | ----- | |
| 1 | 49 | 0x31 | .----- | |
| 2 | 50 | 0x32 | ..---- | |
| 3 | 51 | 0x33 | ...-- | |
| 4 | 52 | 0x34 |- | |
| 5 | 53 | 0x35 | | |
| 6 | 54 | 0x36 | -..... | |
| 7 | 55 | 0x37 | --.... | |
| 8 | 56 | 0x38 | ---... | |
| 9 | 57 | 0x39 | ----. | |
| : | 58 | 0x3A | ----... | |
| ; | 59 | 0x3B | -.-...- | |
| < | 60 | 0x3C | | |
| = | 61 | 0x3D | -...- | BT |
| > | 62 | 0x3E | | |
| ? | 63 | 0x3F | ..-...- | |

| CHAR | DEC | HEX | MORSE |
|------|-----|------|-------|
| @ | 64 | 0x40 | |
| A | 65 | 0x41 | .- |
| B | 66 | 0x42 | -... |
| C | 67 | 0x43 | -.-. |
| D | 68 | 0x44 | -.. |
| E | 69 | 0x45 | . |
| F | 70 | 0x46 | ...- |
| G | 71 | 0x47 | --. |
| H | 72 | 0x48 | |
| I | 73 | 0x49 | .. |
| J | 74 | 0x4A | .---- |
| K | 75 | 0x4B | -.- |
| L | 76 | 0x4C | .-... |
| M | 77 | 0x4D | -- |
| N | 78 | 0x4E | -. |
| O | 79 | 0x4F | --- |
| P | 80 | 0x50 | .---. |
| Q | 81 | 0x51 | --.- |
| R | 82 | 0x52 | .-. |
| S | 83 | 0x53 | ... |
| T | 84 | 0x54 | - |
| U | 85 | 0x55 | ..- |
| V | 86 | 0x56 | ...- |
| W | 87 | 0x57 | .-.- |
| X | 88 | 0x58 | -...- |
| Y | 89 | 0x59 | -.-.- |
| Z | 90 | 0x5A | --.. |

APPENDIX F: NEW CONFIGURATION OPTIONS AND HOT-KEYS

In CW mode:

F10: Toggles between receive (RX) and transmit (TX) modes.

In CW Receive mode:

C or c: Inter-character SPACE (char): 1.6 to 6.0 Tcw with 0.1 Tcw precision

Determines the threshold between received intra-character SPACES and inter-character SPACES.

Z or z: Skew Limit (Zkew): 2 to 6 MARKs

Number of MARKs of equal duration that will be used to calculate thresholds. Consecutive MARKs are considered equal when their durations are within +/- 12.5 % of each other.

W or w: Inter-word SPACE (word): (char + 0.5) to 12.0 Tcw with 0.1 Tcw precision

Determines the threshold between received inter-character SPACES and inter-word SPACES. Will be automatically incremented when the Inter-char SPACE parameter is incremented to within 0.5 Tcw.

T or t: MARK-SPACE threshold 64,000 to 200 with 200 unit precision

Displays or sets the threshold/fence used by the Goertzel filter to distinguish between MARK and SPACE levels.

F or f: FFT CW Spectrum display

Displays a numerical representation of FFT buckets 18, 19, and 20.

+ or =: Increment selected parameter +1

- or _: Decrement selected parameter -1

Enter: Clears parameter display.

Esc: Toggles RX side tone on and off.

In CW Transmit mode:

F1 - F7 Transmit the selected CW macro.

If not in transmit mode when the function key is pressed, the macro must start with <TXON> or the macro will not be processed. Note, the CW macros are separate from the macros used in other modes.

TUNE: Adjusts the transmit rate..... 5 to 99 wpm

Ctrl-TUNE: Adjusts the side tone freq. 400 to 2000 Hz

Nine discrete frequencies are available: 400, 444, 500, 571, 666, 800, 1000, 1333, and 2000 Hz ($4000/N$ where N is an integer between 10 and 2, inclusive).

Esc: Toggles TX side tone and TX side tone display on and off.

APPENDIX G:**RECOGNIZED PROSIGNS**

| MORSE | PROSIGN | MEANING | DESCRIPTION |
|--------------|----------------|-----------------------|---------------------|
| .-.-.. | al | | ??? |
| .-.-. | ar | All Right | end of message |
| .-... | as | wait A Sec | stand by |
| -...-.- | bk | BacK-to-you/let me in | BreaK |
| -...- | bt | | Separator |
| -.-...-.. | cl | CLear | CLosing down |
| -.-...-.- | cq | | Calling |
| -.-.- | ct | Commence Transmission | start of message |
| | hh | error | HuH? |
| ..--.- | iq | | ??? |
| -...- | kn | oK, Named-station | Kalled station only |
| ...-.- | sk | Silent Key | end of contact |
| ...-. | sn | Sho' 'Nuff | understood |

APPENDIX H: EEPROM CONTENTS

Note: Entries new with Version 4.00 are shown in bold-face italics.

| NUE-PSK MODEM EEPROM (25AA1025) CONTENTS | | | |
|--|---|-------------------------------------|-------------|
| ADDRESS (HEX) | CONTENT | TO ENTER or EDIT | MAX # CHARS |
| 00000 | 's' (indicates saved config is valid) | - | 1 |
| 00001 | CFG1 (PGA + mMode) | | 1 |
| 00002 | CFG2 (BL + SQTH + AFC + CWID) | | 1 |
| 00003 | CFG3 (<i>CW side tone enables</i> RTCC display enable flags) | <i>Esc</i> | 1 |
| 00004 | <i>CW TX Speed (WPM)</i> | <i>CW Mode + Tuning</i> | 1 |
| 00005 | <i>CW Side-Tone Period</i> | <i>CW Mode + Ctrl-Tuning</i> | 1 |
| 00006 | <i>CW RX inter-char Tcw x 10</i> | <i>'C' +/-</i> | 1 |
| 00007 | <i>CW RX inter-word Tcw x10</i> | <i>'W' +/-</i> | 1 |
| 00008 | <i>CW RX skew limit</i> | <i>'S' +/-</i> | 1 |
| 00009 | <i>Date Display Format (see below)</i> | <i>Config option</i> | 1 |
| 0000A-0000B | <i>Serial Number (high, low)</i> | <i>'N'/'X' +/-/Home</i> | 2 |
| 0000C-0001F | Reserved | | 20 |
| 00020 | 'd' | - | 1 |
| 00021 | 'e' | - | 1 |
| 00022 | ' ' | - | 1 |
| 00023-0002F | My Call Sign (11 char max, null terminated) | Ctrl+M | 12 |
| 00030-0003F | Saved Frequency | Ctrl+F | 4 |
| 00040 - 0004F | (unassigned) | - | 16 |
| 00050 | ' ' | - | 1 |
| 00051-00059 | Log File Name (8.3) | Ctrl+N | 12 |
| 0005A-0005F | (unassigned) | - | 6 |
| 0005A-000FF | (unassigned) | - | 166 |
| 00100-001FF | Macro 1 | Ctrl+F1 | 255 |
| 00200-002FF | Macro 2 | Ctrl+F2 | 255 |
| 00300-003FF | Macro 3 | Ctrl+F3 | 255 |
| 00400-004FF | Macro 4 | Ctrl+F4 | 255 |
| 00500-005FF | Macro 5 | Ctrl+F5 | 255 |
| 00600-006FF | Macro 6 | Ctrl+F6 | 255 |
| 00700-007FF | Macro 7 | Ctrl+F7 | 255 |
| 00800-03FFF | (unassigned) | - | |

| | | | |
|--------------------|-------------------|----------------|------------|
| 04000-040FF | (unassigned) | - | 256 |
| 04100-041FF | CW Macro 1 | Ctrl+F1 | 255 |
| 04200-042FF | CW Macro 2 | Ctrl+F2 | 255 |
| 04300-043FF | CW Macro 3 | Ctrl+F3 | 255 |
| 04400-043FF | CW Macro 4 | Ctrl+F4 | 255 |
| 04500-045FF | CW Macro 5 | Ctrl+F5 | 255 |
| 04600-046FF | CW Macro 6 | Ctrl+F6 | 255 |
| 04700-047FF | CW Macro 7 | Ctrl+F7 | 255 |
| 04800-07FFF | (unassigned) | - | 30720 |
| 08000-0BFFF | (unassigned) | - | 32768 |
| 0C000-0FFFF | (unassigned) | - | 30720 |
| 10000-1FFFF | (unassigned) | - | 32768 |

CFG Byte Formats:

| | | | | | | | | |
|-------|---|-----|----------|----------|-------|------|------|------|
| BIT: | 7 | 6 | 5 | 4 | 3 | 2 | 1 | 0 |
| CFG1: | X | PGA | | | mMode | | | |
| CFG2: | X | X | BL | X | SQTH | | AFC | CWID |
| CFG3: | X | X | CW RX ST | CW TX ST | X | time | date | RTCC |

Date Display Formats:

- 00 – “CCYY-MM-DD”
- 01 – “MM/DD/CCYY”
- 02 – “DD/MM/CCYY”

APPENDIX I: CONFIG.TXT

```
=====
                        NUE-PSK CONFIG
                        =====
Configuration file for the NUE-PSK Digital Modem for device settings and macro strings.

DESCRIPTION ... This file is generated by the 'Upload Config' selection in the
                modem's CONFIGURE menu, and is written to a USB flash drive inserted into the modem.

CONFIG.TXT ... This file reflects all the current settings of the modem, and may be
               modified as desired on a PC by using a simple text editor like Microsoft WordPad.

EDITING ... Editing this text file must be done very carefully by changing characters after
            the colon and space. The options available for each field are listed in parentheses
            for each field and must be entered exactly as shown. Special control characters are
            entered into macro strings as <TXON>, <TXOFF>, <MYCALL> <THEIRCALL> and <SERIALNO>.
            For example ...<TXON>Thanks <THEIRCALL>. QTH HERE IS BALTIMORE, de <MYCALL><TXOFF>

LOADING INTO MODEM ... The settings and strings contained in the CONFIG.TXT file may loaded
                       into the modem by placing the file onto the flash drive, inserting it into the modem,
                       and then selecting 'Download Config' in the modem's CONFIGURE menu.

RESULTS ... If the modem is able to successfully read and transfer all the settings to the modem,
            'Exit' will be displayed and pressing the Select pushbutton will bring you back to the
            normal operating mode of the mode with the new settings in effect. Otherwise, the modem
            will beep will beep and the Download Config operation will terminate.
=====

1) My Call: AD7JT
2) Log Fname: NUE-PSK.txt
3) PGA (x1,x5,x16,x32): x32
4) Mode (BPSK,QPSK,QPSK/R,RTTY,CW): BPSK
5) BackLight (ON,OFF): ON
6) SQLCH (25, 50): 50
7) AFC (ON,OFF): ON
8) CWID (ON,OFF): OFF
9) Macro 1: <TXON>CQ CQ CQ DE <MYCALL> <MYCALL> <MYCALL> PSE K<TXOFF>|
10) Macro 2: <TXON><THEIRCALL> <THEIRCALL> <THEIRCALL> DE <MYCALL> <MYCALL> <MYCALL> PSE K <TXOFF>|
11) Macro 3: |
12) Macro 4: HERE IN SUN CITY WEST, AZ (NW SUBURB OF PHOENIX) NAME HERE IS DAVE DAVE. HOW COPY?
<THEIRCALL> DE <MYCALL> K<TXOFF>|
13) Macro 5: RIG HERE IS YAESU FT-897D RUNNING ABOUT 40 WATTS CONTROLLED BY A NUE-PSK DIGITAL MODEM
WITH NO PC. MY ANT IS A 20M VERTICAL ATTACHED TO THE SIDE OF THE HOUSE. THE ANT IS DISGUISED BECAUSE
OUR HOA EXPLICITLY FORBIDS HAM ANTENNAS|
```

14) Macro 6: I WAS FIRST LICENSED IN MN AS WOLSH IN 1952 AT THE AGE OF 13 BUT LET MY LICENSE LAPSE IN THE 70S DUE TO THE DEMANDS OF STARTING A CAREER AND A FAMILY. I RETIRED IN 2005, MOVED FROM SO CA TO AZ AND GOT RELICENSED IN THE FALL OF 2006. |

15) Macro 7: |

16) CW TX WPM (5 - 99): 20

17) CW Side Tone Frequency (10 => 400 Hz, 2 => 2000 Hz): 03

18) CW TX Side Tone (ON, OFF): OFF

19) CW RX Side Tone (ON, OFF): OFF

20) CW RX Inter-Char Tcw (2.0 - 4.0):2.0

21) CW RX Inter-Word Tcw (2.5 - 7.0):2.5

22) CW RX Max Skew Count (2 - 6):2

23) CW Macro 1: <TXON>CQ TEST CQ TEST DE <MYCALL> <MYCALL> TEST K<TXOFF>|

24) CW Macro 2: <TXON><THEIRCALL> 5NN <SERIALNO> <TXOFF>|

25) CW Macro 3: <TXON>TU QRZ TEST DE <MYCALL> TEST K<TXOFF>|

26) CW Macro 4: <TXON><MYCALL><TXOFF>|

27) CW Macro 5: <TXON><THEIRCALL> <THEIRCALL> <THEIRCALL> DE <MYCALL> <MYCALL> <MYCALL> kn<TXOFF>|

28) CW Macro 6: <TXON><THEIRCALL> DE <MYCALL> RIG HERE IS FT2000 RUNNING 100W TO A 20M VERTICAL. ALSO USING A NUE PSK MODEM WITH NEW CW MODE I AM TESTING. HOW DOES IT SOUND? <THEIRCALL> DE <MYCALL> kn <TXOFF>|

29) CW Macro 7: |

APPENDIX J: HOT KEY MAP

Note: **Boldface** entries are new to Version 4.00.

| KEY | --- | Ctrl- | Alt- |
|-----|------------------------------|--------------------------------|--|
| A | | Enable AFC | Disable AFC |
| B | CW Groetzel Bandwidth | Clear internal buffers | |
| C | CW Char SPACE fence | Toggle RTTY FIGS | |
| D | | Enter date (MM/DD/CCYY) | Enter Time (hh:mm:ss) |
| E | | | |
| F | CW FFT bucket counts | Save freq in EEPROM | Retreive saved freq |
| G | | | |
| H | | | |
| I | | Enter text to be RECD (toggle) | |
| J | | | |
| K | | Clear keyboard buffer | Add counter in beacon mode |
| L | | Clear text display | |
| M | | Enter My Call (MC) | Insert My Call in macro or Tx queue |
| N | | Enter REC file name | |
| O | | Toggle back light | |
| P | | <i>Keyboard to Tx buffer</i> | |
| Q | | Insert Tx OFF in macro | |
| R | | Reverse RTTY Mark & Space | |
| S | Serial Number | Insert Tx ON in macro | Insert Serial Number in macro or Tx queue |
| T | CW Groetzel threshold | Enter Their Call (TC) | Insert Their Call in macro or Tx queue |
| U | | Toggle REC (record) mode | |
| V | | | |
| W | CW Word SPACE fence | | |
| X | Serial Number/TC | | Insert Serial Number in macro or Tx queue |
| Y | | | |
| Z | CW Skew count | Input string terminator | |
| F1 | Play macro 1 | Record macro 1 | Delete macro 1 |
| F2 | Play macro 2 | Record macro 2 | Delete macro 2 |
| F3 | Play macro 3 | Record macro 3 | Delete macro 3 |

| | | | |
|---------|-------------------------|----------------------|----------------|
| F4 | Play macro 4 | Record macro 4 | Delete macro 4 |
| F5 | Play macro 5 | Record macro 5 | Delete macro 5 |
| F6 | Play macro 6 | Record macro 6 | Delete macro 6 |
| F7 | Play macro 7 | Record macro 7 | Delete macro 7 |
| F8 | Toggle TUNE mode | | |
| F9 | Save_Macro | | Beacon OFF |
| F10 | Toggle Rx & Tx | | |
| F11 | Display My Call | | |
| F12 | Toggle settings display | | |
| Tab | Dummy Function | Display current freq | |
| Pg-Up | Increase PGA gain | | |
| Pg-Dn | Decrease PGA gain | | |
| L-Arrow | Tune down x 1 | | Tune down x 5 |
| R-Arrow | Tune up x 1 | | Tune up x 5 |
| D-Arrow | Tune down x 2 | | Tune down x 10 |
| U-Arrow | Tune up x 2 | | Tune up x 10 |

RTCC

Real Time Clock Calendar

Contents

| | | |
|----------|---|----|
| 23 | INTRODUCTION | 63 |
| 24 | GENERAL DESCRIPTION | 63 |
| 25 | FUNCTIONAL DESCRIPTION | 64 |
| 25.1 | RTCC HARDWARE | 64 |
| 25.1.1 | <u>RTCC Controller</u> | 64 |
| 25.1.2 | <u>Serial Bus Switch</u> | 64 |
| 25.1.3 | <u>32.768 KHz Crystal</u> | 65 |
| 25.1.4 | <u>Three-Volt Battery</u> | 65 |
| 25.2 | INTERFACE PROTOCOL | 65 |
| 25.3 | FIRMWARE | 67 |
| 25.3.1 | <u>RTCC Firmware Implementation</u> | 68 |
| 25.3.1.1 | System Clock Calibration | 68 |
| 25.3.1.2 | Time and Date Update Sequence..... | 69 |
| 25.3.1.3 | Modem Request Processing..... | 69 |
| 25.3.2 | <u>Modem Firmware Extensions</u> | 70 |
| 25.3.2.1 | Date and Time Display | 70 |
| 25.3.2.2 | RTCC Updates by the User | 71 |
| 25.3.2.3 | Basic, Standalone RTCC Modem Functions..... | 72 |
| 25.3.2.4 | Time Stamping QSO Recording Files | 72 |



23 INTRODUCTION

This section describes the Real Time Clock Calendar (RTCC) option for the NUE-PSK USB add-on card. The basic hardware design for this option has been included in all versions of the USB add-on card PCB layout. The RTCC option was not included in the early releases of the modem firmware and the add-on cards (assemblies and kits) were shipped without the RTCC components. All USB add-on cards shipped after the completion and release of the RTCC option firmware early this year include the RTCC components and the supporting firmware.

Completion of the RTCC implementation required extensions to the basic NUE-PSK modem firmware and the development of the RTCC firmware for the RTCC microcontroller. The following sections describe the hardware and firmware associated with the RTCC implementation in the NUE-PSK Digital Modem (here after referred to simply as the “modem”).

24 GENERAL DESCRIPTION

The USB add-on card interfaces to the modem card with a simple serial interface. The add-on card contains two USB interfaces, one master and one device. The primary function of the master USB interface is to output transmitted and received messages for archiving (e.g., in a “thumb drive”) or for direct printing on a USB printer. This interface can also be used to update firmware in both the USB controller (VNC1L) and the modem controller (dsPIC33FJ128MC706) from a flash drive. The device interface can be used to update firmware directly from a PC. These functions are described in detail in the USB Card Operator’s Manual available on the NUE-PSK web site (<http://www.nue-psk.com>) and in the VNC1L Datasheet available on the FTDI web site (http://www.ftdichip.com/Support/Documents/DataSheets/ICs/DS_VNC1L.pdf).

When the RTCC option is installed, it maintains current date and time information. The RTCC option is battery powered to maintain proper date and time when modem power is turned off or even when the add-on card is disconnected from the main modem card. To maximize battery life, the RTCC controller goes into “sleep mode” whenever it is idle and “wakes up” when needed to update the date and time information and to communicate with the modem controller. After completing either of these operations, the controller returns to sleep mode. It is expected that one new battery shall be able to continuously power the RTCC for six months or longer.

The RTCC monitors the serial interface between the modem and the add-on card. When the modem generates a special control sequence on it’s transmit line, the RTCC controller disconnects the USB controller from the serial interface and takes over communications with the modem. This communication consists of two basic functions:

setting and reading the current RTCC date and time. Additional functionality may be added in the future.

25 FUNCTIONAL DESCRIPTION

The RTCC option consists of three basic elements:

- The RTCC hardware
- The RTCC firmware
- The modem firmware extensions

25.1 RTCC HARDWARE

The USB add-on card schematic is shown in Figure 1.0. The major RTCC components are the PIC16F688 microcontroller (U3), the FST3126 4-bit bus switch (U4), the 32.768 KHz quartz crystal (X2), and the 3V battery (BATT).

25.1.1 RTCC Controller

The RTCC controller is an 8-bit Microchip microcontroller with 4,096 14-bit words of flash memory for program storage, 256 bytes of SRAM for data storage, and 256 bytes of EEPROM storage. The RTCC controller utilizes the built-in UART to monitor the serial interface between the add-on card and the modem and to communicate with the modem. It also uses one of the two built-in timers (T1) to generate interrupts to update the date and time information. The 32.768 KHz crystal is used as a time base for this timer. The timer is, basically, a 16-bit counter that is preloaded to 0x8000 (decimal - 32768) and counted up. An interrupt is generated each time the counter overflows (from 0xFFFF to 0x0000) which gives a one-second interrupt rate. The interrupt routine sets the most-significant bit of the count to one to assure the count overflows occur at one second intervals. Since the counter keep running after the overflow, this approach maintains an accurate, long-term time base independent of any delays there may be in the RTCC controller's interrupt response time.

25.1.2 Serial Bus Switch

Two of the RTCC controller PIO lines (PA1 and PA0) are used to control the serial bus switch which is connected in line with the serial interface between the USB controller and the modem. Two of the four bus switches connect or disconnect transmit and receive lines between the two controllers. These two switches are controlled by PA0. A third switch position is used to connect or disconnect the RTCC UART transmit line (TX2) to the modem controller receive line (TX). This switch is controlled by PA1. The fourth switch position is not used.

25.1.3 32.768 KHz Crystal

The crystal is a standard, cylinder case unit as used in quartz watches. It has a frequency tolerance of plus or minus 20 parts per million (PPM). This is a worst-case error of about 10.5 minutes per year. The crystal oscillator increments the Timer 1 (T1) counter in the RTCC controller.

T1 consists of a 16-bit counter accessible as two 8-bit halves. The lower counter is incremented which each cycle of the 32.768 KHz oscillator. The upper counter is incremented each time the lower counter overflows (from 0xFF to 0x00). An interrupt is generated when the upper counter overflows. The incrementing continues as long as T1 is enabled (which is always). If the count is allowed to run unchanged, the next overflow and the next interrupt will occur after two seconds (65,536 counts). To generate an interrupt each second, the 16-bit count must be incremented by 32,768 or 0x8000 sometime between each interrupt. When the interrupt is serviced, the RTCC controller sets the most-significant bit of the upper counter to 1 within one second of an overflow to avoid missing the next overflow. This essentially eliminates any tight timing requirements on servicing the timer interrupt.

25.1.4 Three-Volt Battery

The battery used to power the RTCC controller is a coin-type 3.0 volt lithium battery type BR1225 (Digi-Key part number P191-ND or equivalent) rated at 48 mAh. The battery plugs into a PCBA mounted header and is accessible by removing the modem top cover. The current drain on the battery typically measures less than 8 uA when the RTCC is attached to the modem and operating normally. This indicates a typical battery life of 6,000 hours.

25.2 INTERFACE PROTOCOL

During normal operation, the interface protocol used between the USB controller and the modem controller is set by the USB controller protocol definition. (See Vinculum Firmware User Manual at http://www.ftdichip.com/Firmware/Precompiled/UM_VinculumFirmware_V205.pdf.) To direct messages to the RTCC controller, a special control sequence is generated by the modem controller. The special control sequence consists of a break sequence followed by two or more control characters. A break sequence is a series of 10 or more SPACE (0 or low level) bits. When received as a normal character, a break sequence will be seen as a character of all zeroes (NUL) with a framing error (missing STOP bit). Break characters are generally ignored by receiving devices and are sometimes used to force character synchronization. All messages to and from the RTCC controller are ended with a CR character (0x0D) which is consistent with the USB controller protocol.

The RTCC controller will normally be in sleep mode with the UART interface AUTO-WAKE-UP ON BREAK mode enabled. In this mode, a receive interrupt is generated when a MARK to SPACE (one to zero) transition occurs on the receive data line. In sleep mode, all clocks in the RTCC controller are turned off to minimize the amount of power required. (The 32.768 KHz oscillator and T1 remain active in sleep mode.) The interrupt starts the system clock and, after a start-up delay, the controller responds by executing the interrupt routine. When the RTCC controller recognizes a valid break sequence, it disconnects the USB controller from the serial interface and reads the following data characters. When the RTCC does not recognize a valid break sequence, it leaves the serial interface connected to the USB controller and returns to sleep mode.

The first character following the break sequence must be 0x55. When this character is followed immediately by a check character and a message end character (CR or 0x0D) it is interpreted as a request for the RTCC controller to return the current date and time. When this character is followed by seven characters followed by a check character followed by a message end character it is interpreted as a request to update the current date and time. When either of these two messages is received correctly, without error, by the RTCC controller, it returns a message to the modem controller containing the current date and time information. When the request message received by the RTCC controller is received in error (e.g., a framing error) or is not of one of the two expected lengths or any received character is not properly formatted (e.g., month number greater than 12), the message is ignored, no response is generated, and the RTCC controller returns to sleep mode. The receive operation is timed by the RTCC and if the end of message character (CR) is not received within about 1.5 ms, the communication is aborted and the RTCC controller returns to sleep mode.

Initially, only two message formats will be used, future product enhancements may add more. The two acceptable message formats are as follows:

BK 0x55 CK CR

BK 0x55 CC YY MM DD hh mm ss CK CR

Where:

BK = the break sequence

CC = current century (binary value of the two most-significant year digits)

YY = current year (binary value of the two least-significant year digits)

MM = current month of the year (1 – 12)

DD = current day of the month (1 – 31)

hh = current hour of the day (0 – 23)

mm = current minute of the hour (0 – 59)

ss = current second of the minute (0 – 59)

CK = check character

CR = carriage return character (end of message 0x0D)

The check character is computed so that summing (modulo 256) all characters after the break sequence and before the end character (0x0D) will result in 0xFF. Note that the check character for the first message format will always be 0xAA (0x55 + 0xAA = 0xFF).

When the RTCC receives a valid message it returns a message in the following format:

0xAA CC YY MM DD hh mm ss CK CR

These fields are formatted as described above for the messages received by the RTCC controller.

The RTCC must respond to a valid modem controller message within 2 ms to avoid the modem controller timing out and assume a transmission error has occurred. When the modem controller detects an error in a received message (framing error, improper length, check digit error, or time-out) it will ignore the response.

25.3 FIRMWARE

The RTCC option requires firmware development in two areas: implementation of the RTCC controller firmware and modifications or extensions to the modem controller firmware.

25.3.1 RTCC Firmware Implementation

The RTCC controller firmware performs two major functions. First, it must update the time and date values every second and, second, it must respond to requests from the modem controller. These functions are to be implemented as efficiently as possible to minimize power requirements and maximize battery life. To minimize power requirements, the RTCC controller will be put in power-down or “sleep” mode whenever possible. In sleep mode all clock activity except the 32.768 KHz oscillator is suspended including the timing source for the UART baud rate generator. The controller is conditioned to wake on either of two conditions: the T1 interrupt (which will occur every second) and a possible break condition on the serial interface. Interrupts are only enabled while the RTCC controller is in sleep mode.

25.3.1.1 System Clock Calibration

The PIC16F688 has several clocking options. The one used in the RTCC application is an internal RC oscillator set to run at a nominal 4 MHz. The internal RC oscillator is calibrated during production but can be adjusted over a limited range by the firmware writing to the “OSCTUNE” register which will shift the frequency above or below the nominal frequency depending on the sign of the contents of the OSCTUNE register.

The serial interface between the option card and the modem controller operates at 115,200 bits per second. The RTCC controller’s UART’s baud rate generator uses the controller system clock to generate the timing for asynchronous communications. It turns out that the baud rate generator cannot generate an accurate enough time base for reliable communications at 115,200 bits per second with a 4 MHz system clock. To fix this problem, the RTCC controller’s initialize sequence recalibrates the system clock to run at 3.6864 MHz. This minimizes the baud rate error and allows reliable asynchronous communication at 115,200 bits per second.

The recalibration is done using the 32.768 KHz oscillator as the time reference. Each instruction execution takes four system clock cycles. With a system clock frequency of 3.6864 MHz, each instruction execution takes 4.3403 us. The 32.768 KHz counter is set to -32 and started. The counter should then overflow 32 cycles later or 977 us. A small loop of four instructions is executed so that the number of instructions executed before the counter overflows can be measured. In 977 us, the loop should be executed 225 times. After the loop count is determined, the OSCTUNE value is adjusted up or down one increment. This process is repeated until the loop count is within one of 225.

Clock calibration is done by the RTCC controller initialization sequence which is only performed once when battery power is first applied to the RTCC controller. Normally, the initialization sequence will not be performed again until the battery is replaced. To compensate for any long-term drift there may be in the system, the calibration sequence

is executed every time the RTCC detects a receive communication error. The calibration sequence takes less than one ms to complete.

25.3.1.2 Time and Date Update Sequence

The time and date update sequence is pretty straight forward. First the second count is incremented by one. When the second count is incremented to 60, it is reset to zero and the minute count is incremented by one. When the minute count is incremented to 60, it is reset to zero and the hour count is incremented by one. When the hour count is incremented to 24, it is reset to zero and the day count is incremented by one. When the day count is incremented to one more than the number of days in the current month, it is reset to one and the month count is incremented by one. When the month count is incremented to 13, it is reset to one and the year count is incremented by one. When the year count is incremented to 100, it is reset to zero and the century count is incremented by one.

The number of days of the month is usually determined by a hard-coded table in the firmware. An exception is made for February (month two). February has 28 days except during a leap year when it has 29 days. Leap years are all years evenly divisible by 4 except when the year can be evenly divided by 100 unless the century can be evenly divided by 4.

The execution time will vary, depending on how far a carry must be propagated, but should never take more than 100 us. This delay may cause the controller to miss an occasional break sequence but these cases will be very rare because the update execution time is such a small fraction of the one second interval between timer interrupts.

25.3.1.3 Modem Request Processing

The auto-wake-on-break sequence is started by the transmit line (from the modem) going to the SPACE (0 or low) state. This is also the case at the start of each character during normal data transmission. A normal data character of all zeroes will be transmitted as SPACE for nine bit times followed by a MARK bit (the STOP bit). The break sequence looks the same except the space condition will be maintained for at least 13 bit times. After wake-up and the system clock has restarted, the RTCC must recognize a break sequence as a SPACE lasting more than nine bit times. When the SPACE state is shorter than this, the sequence is aborted and the RTCC returns to sleep mode. The RTCC also makes sure the break condition does not exceed about 15 bit times.

When a valid break sequence is detected, the RTCC disconnects the USB controller from the serial interface and waits for the request message from the modem controller.

To further validate the request, the RTCC will wait a maximum of 1.5 ms for the message from the modem controller to complete. When the message is not received within this time period, the RTCC controller will abort the sequence, reconnect the USB controller to the serial interface, and return to sleep mode.

When the serial interface operates at the planned bit rate of 115,200 bits per second, the total time to receive the worst-case message transmission time will be about 2.0 ms. This delay will not lock out the timer interrupt long enough to cause RTCC timing errors.

25.3.2 Modem Firmware Extensions

The following functions are added to the modem controller firmware:

- Display time information on the modem's graphic display
- Accept user input to update the RTCC date and time
- Provide a limited set of RTCC functions when the option is not installed
- Add time stamps to messages logged to a USB flash memory stick
- Add QSO logging capability with time stamps on each entry (future feature?)

25.3.2.1 Date and Time Display

The Date and time are displayed on the top line of the 128 x 64 graphical display. The date is located in the upper left corner as an eight-character string formatted as: "MM/DD/YY" (the century number, CC, is not displayed). The time is located in the upper right corner as an eight-character string formatted as: "hh:mm:ss". To conserve space, both are displayed using a special 3 x 5 font with no space between characters instead of the standard screen font which is a 5 x 7 font with one column of pixels between characters (6 x 7 pixels used per character).

In receive mode, the time and date displays are merged (Ored) with the spectrum display pixels. In transmit mode, the spectrum display is not active so the time and date are displayed alone. During data entry, the input function takes over the entire screen so the time and date displays will not be shown in data entry mode. In this case, the RTCC keeps running so when it is again displayed, the date and time will be correct.

In record mode ("REC") the write operation to the flash drive "hogs" the serial bus to the USB option card so the modem is unable to access the RTCC. Instead, the modem's local copy of the RTCC is updated by the modem using a local, one-second timer. Once the modem exits REC mode, the RTCC is again available and the local copy is updated with the RTCC responses.

In any of the data input modes, the entire LCD display is dedicated to the input function and the date and time cannot be displayed. The local RTCC copy is maintained and will be accurate when next displayed after the data input mode ends.

By default, the date and time are displayed as described above. There is a CONFIG menu option available to disable and enable the time and data display. To use this option, press the Select button for about one second, release the button and turn the Tune knob counter clockwise until "RTCC Display" is displayed, momentarily press the Select button, use the Tune knob to select "ON" or "OFF", momentary press the Select button two more times to exit the CONFIG menu.

A one-second timer in the modem triggers the request to the RTCC for an update. When the RTCC is not installed, the modem will use this timer to independently update its local copy of the RTCC. In this case, the initial time is set to "00:00:00" and the date display is disabled. This provides an elapse time meter. The user may update the date and time as described in the following subsection. Once the date has been updated by the user, it will be displayed as it is when the RTCC is present.

25.3.2.2 RTCC Updates by the User

Added modem keyboard functions enable the user to set the RTCC date and time individually. Once set, the RTCC will maintain the correct date and time even when the modem power is switched off as long as the battery power source is above about 2.0 volts. During date or time input by the operator, all other modem functions are suspended except for the constant running RTCC.

The RTCC cannot adjust for time zones or daylight savings time. The user must initialize the date and time settings to the desired time zone and, if appropriate, reset the time to account for daylight savings time.

To set the date, the user enters Ctrl-D (or d) and the date data input screen is displayed. The first two lines of the modem display are as follows:

DATE?
"MM/DD/YYYY"

The cursor (a single underline) is placed in the lower left corner of the display, ready for user input. The date must be entered as 10 characters, including the slash characters (/). The MM and DD fields must be entered as two digits each, The YYYY must be entered as four digits. A leading zero must be input when a field value is less than 10. When the user has entered the correct date, Ctrl-z (or Z) must be entered to complete the input operation. The values input are checked and must be valid for that field. If the number of characters input is not exactly 10 or the slash characters are not input or the

value inputted in any field is invalid, the modem will beep and return to the initial date input screen. The validation includes the number of days in a month based on the value in the MM field and takes leap year into account. The user may exit the date input mode at any time by pressing the Esc key. The RTCC date is not updated until a valid character string has been entered and accepted. Updating the RTCC date has no effect on the RTCC time.

To set the time, the user enters Alt-D (or d) and the time data input screen is displayed. The first two lines of the modem display are as follows:

TIME?

“hh:mm:ss”

The cursor (a single underline) is placed in the lower left corner of the display, ready for user input. The date must be entered as exactly 8 characters, including the colon characters (':'). The hh, mm, and ss fields must be entered as two characters each. A leading zero must be input when the field value is less than 10. When the user has entered the correct time, Ctrl-Z (or z) must be entered to complete the input operation. The values input are checked and must be valid for that field. If the number of characters input is not exactly 8 or the colons are not input or the value inputted in any field is invalid, the modem will beep and return to the initial time input screen. The user may exit the time input mode at any time by pressing the Esc key. The RTCC time is not updated until a valid character string has been entered and accepted. Updating the RTCC time has no effect on the RTCC date.

25.3.2.3 Basic, Standalone RTCC Modem Functions

The modem controller has an RTCC timer that interrupts it every second to interrogate the RTCC controller and update its RTCC copy. When the RTCC option is not available, the modem will attempt to maintain its local RTCC copy by updating it when its RTCC timer interrupts. This timer is not as accurate as the RTCC option timer and, when operating stand-alone, the user must enter the date and time every time the modem is powered up. Also, the modem may not be able to update the RTCC values when the modem is in data entry mode. Once set, the modem will make all the RTCC functionality available. The only difference will be in the accuracy of the time and date values.

25.3.2.4 Time Stamping QSO Recording Files

The recording format for flash drives has been enhanced with additional information including date and time. At the start of each recording session (initiated by Ctrl-U) the following text block is written to the file:

* START RECORDING <MM/DD/YY hh:mm:ss> *

This text block is always followed by a blank line. At the end of the recording session (terminated by another Ctrl-U), the following text block is written to the file:

* STOP RECORDING <MM/DD/YY hh:mm:ss> *

This text block is always preceded by a blank line.

The start of each recorded receive session contains the following preamble text:

* * * RECEIVING: <hh:mm:ss>

This text is followed by a single space character and then the received text as received, no formatting.

The start of each recorded transmit session contains the following preamble text:

* * * TRANSMITTING: <hh:mm:ss>

This text is followed by a single space character and then the transmitted text as transmitted, no additional formatting.

When the operator inserts text in the recording (Ctrl-I), the following text is inserted in the file:

* * * INSERTING: <hh:mm:ss>

This text is followed by a single space character and then the operator-keyed text, no additional formatting. When the operator ends the insert operation with a Ctrl-Z, the modem resumes recording the interrupted mode with the appropriate RECEIVING or TRANSMITTING preamble.

Following the heading text block, the appropriate preamble is also inserted in the recording.