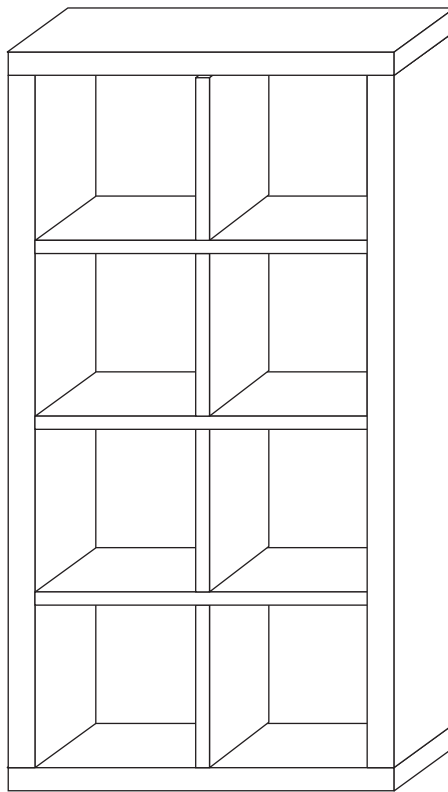


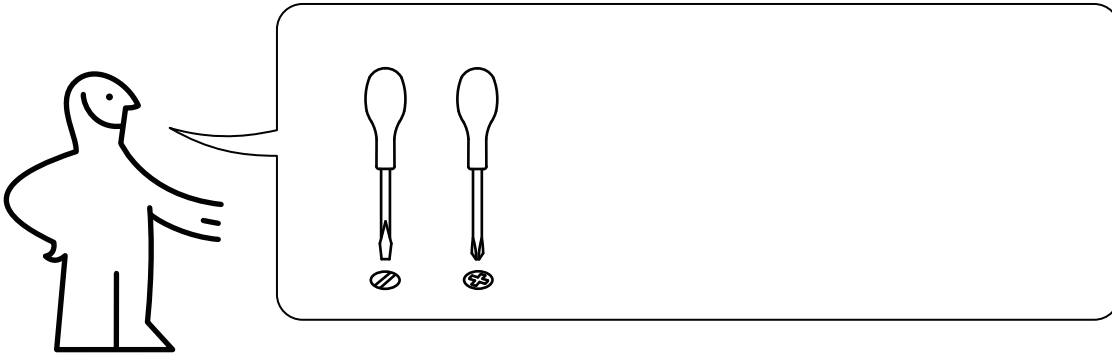
# Assembly Instructions

## **CLUEDO 8 CUBE**

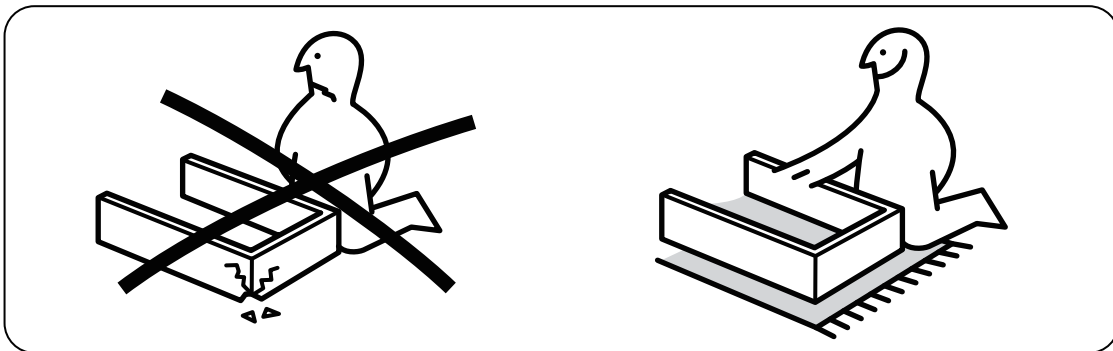
**OWCLUE8CBW/OWCLUE8CBE**



### Tools Required For Assembly



### Assemble Item On A Clean Flat Surface



Please check you have all hardware components before assembling.

If you are missing any hardware components from the [Hardware List](#) please contact My Zone on Tel: (03) 9310 3011, Fax: (03) 9310 3844 or email: [hardware@myzone.net.au](mailto:hardware@myzone.net.au)

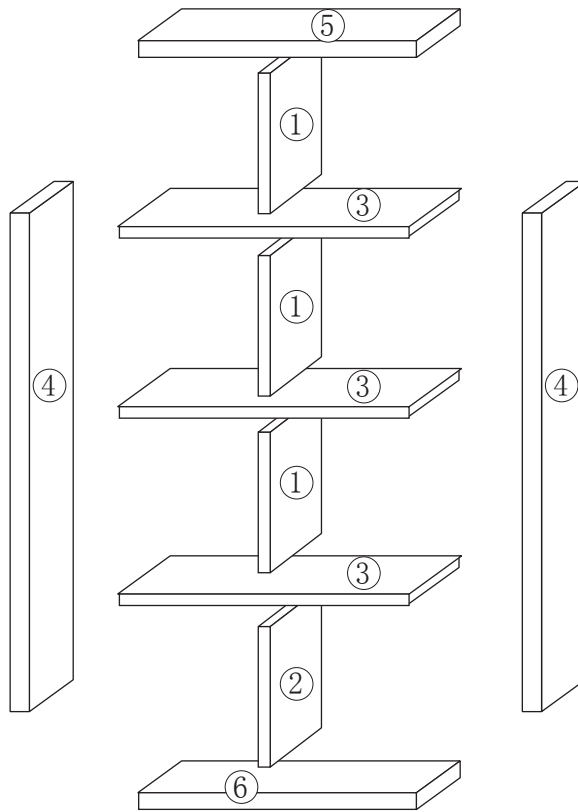
Please ensure you have the name of the item, store purchased from, hardware part required and quantity.

If you are missing any panels from the [Panel List](#) please contact your store of purchase.

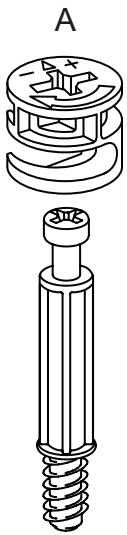
Please retain your receipt to validate warranty. Enjoy your new purchase!

If you require assembly assistance with this product please call 1300 OFFICE (1300 633 423).

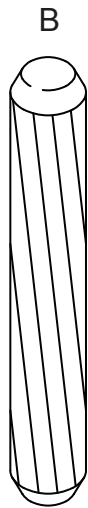
PANEL LISTING



HARDWARE LISTING



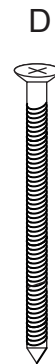
X 30



X 8



X 22



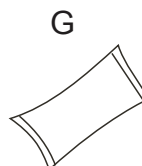
X 6



X 8

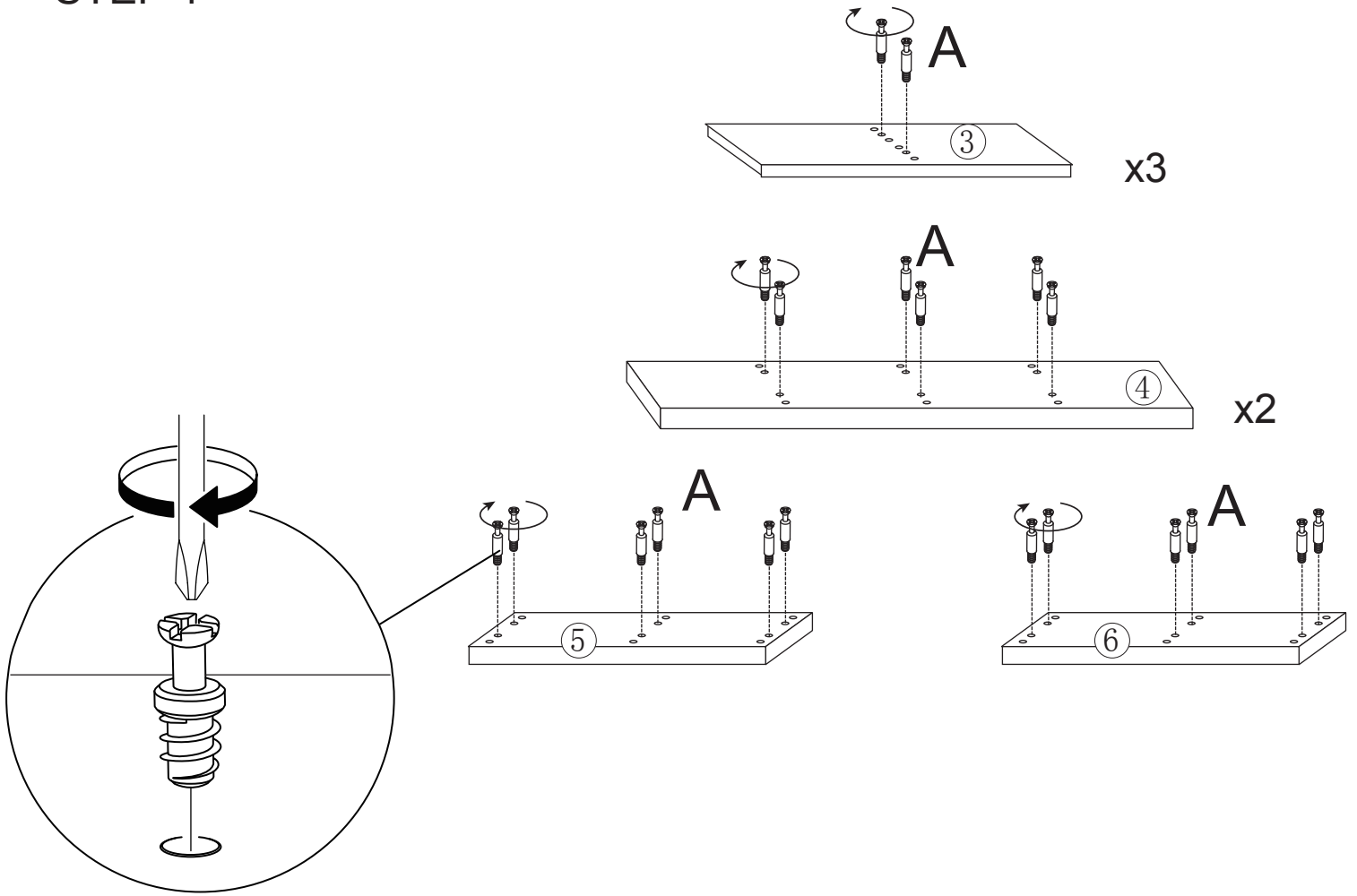


X 22

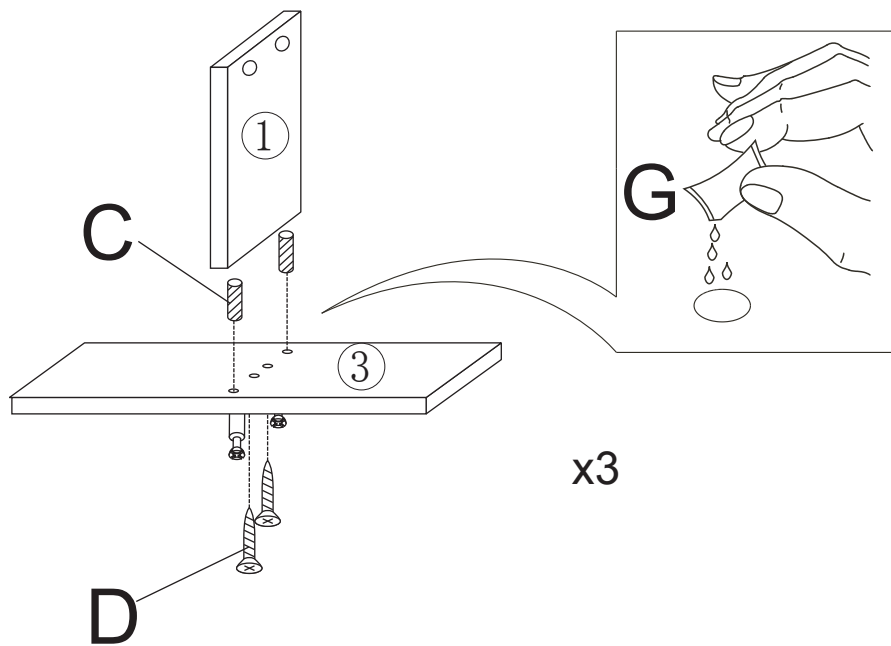


X 3

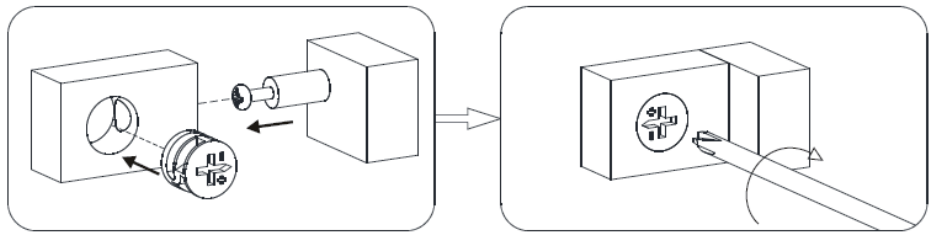
# STEP 1



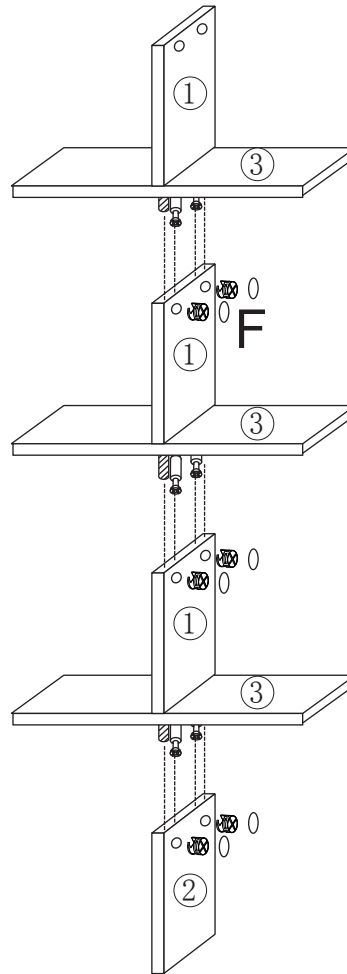
# STEP 2



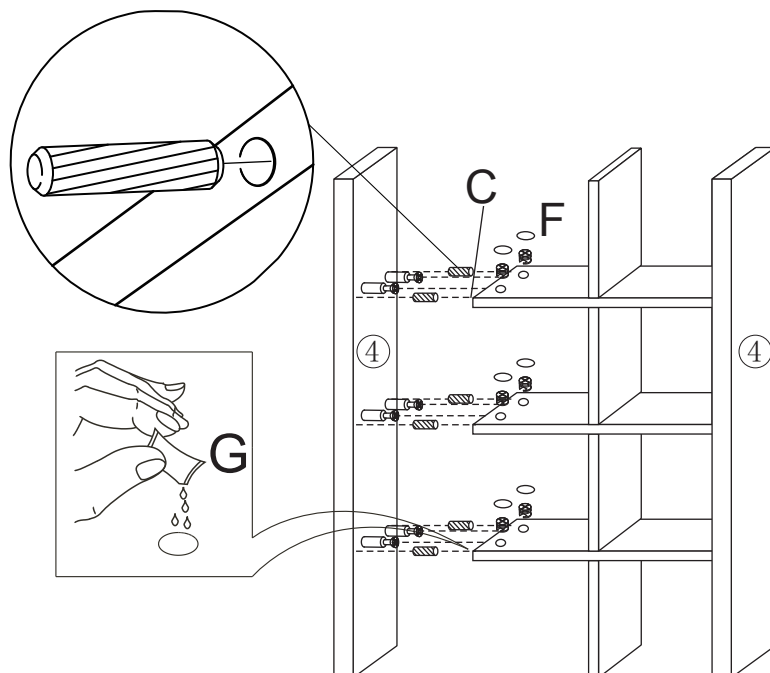
### STEP 3



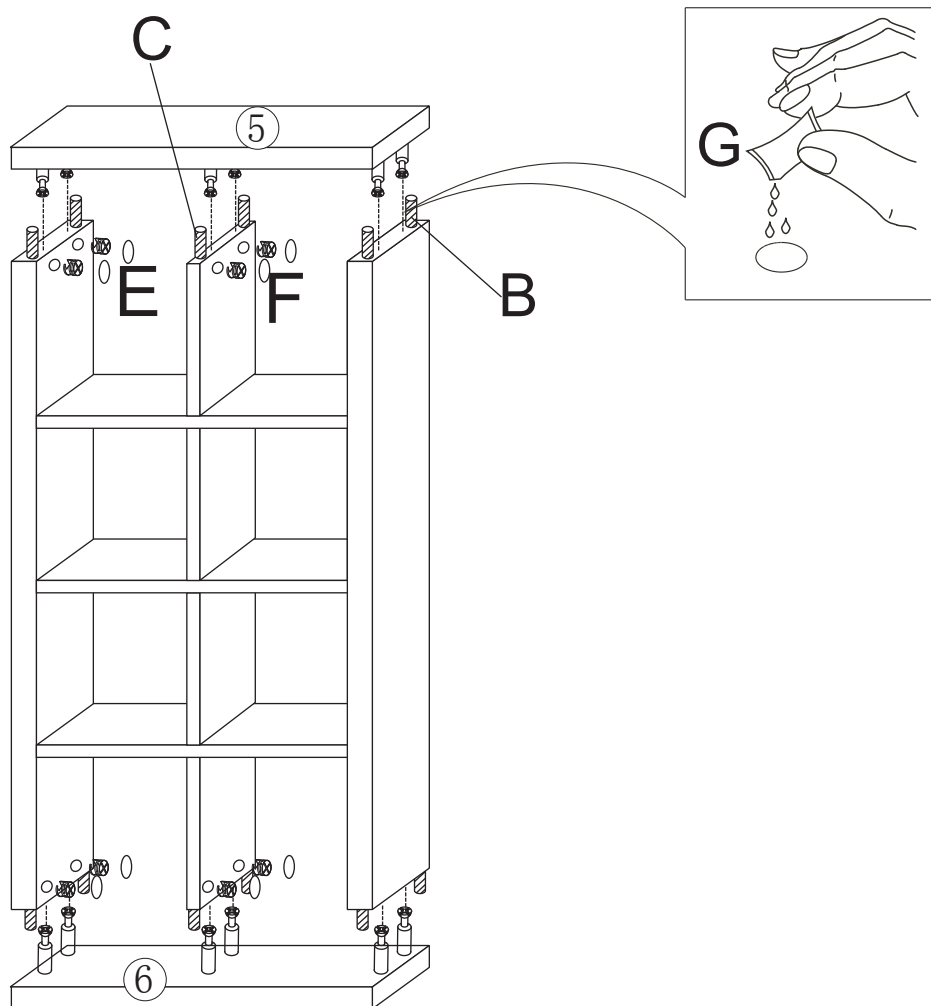
**Please hand tighten this with screwdriver!**



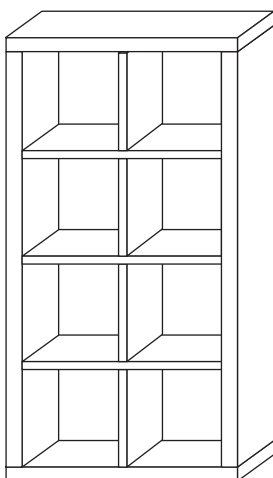
### STEP 4



## STEP 5



## STEP 6



Your Cluedo 8 Cube is now complete and ready for use