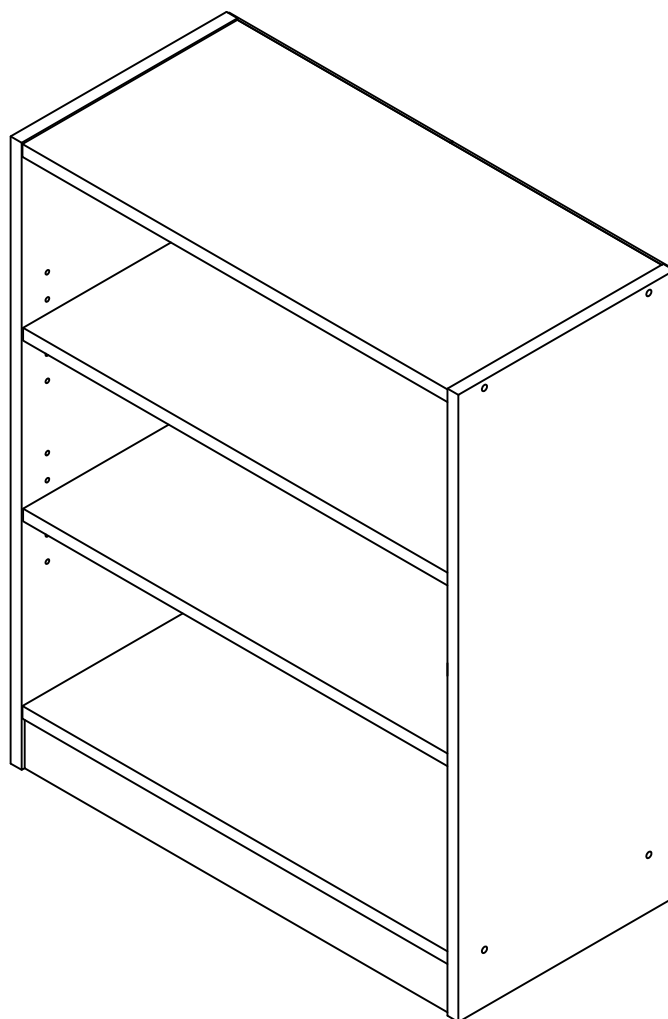


# ASSEMBLY INSTRUCTIONS

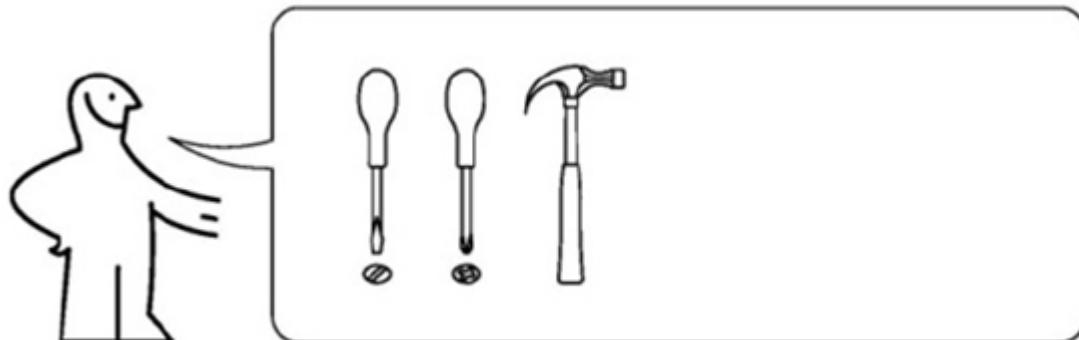
NEVADA 3 CUBES (1CTN)

OWNEV3BKCE/OWNEV3BKBH/OWNEV3BKWE

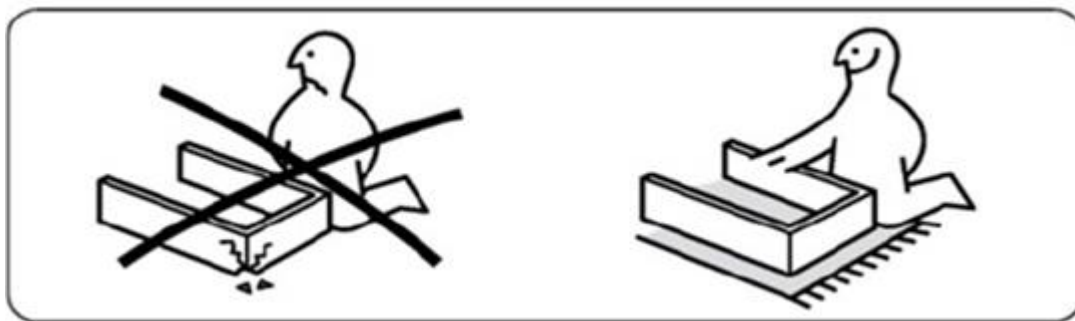
9341694035239/2050000083198/2050000083181



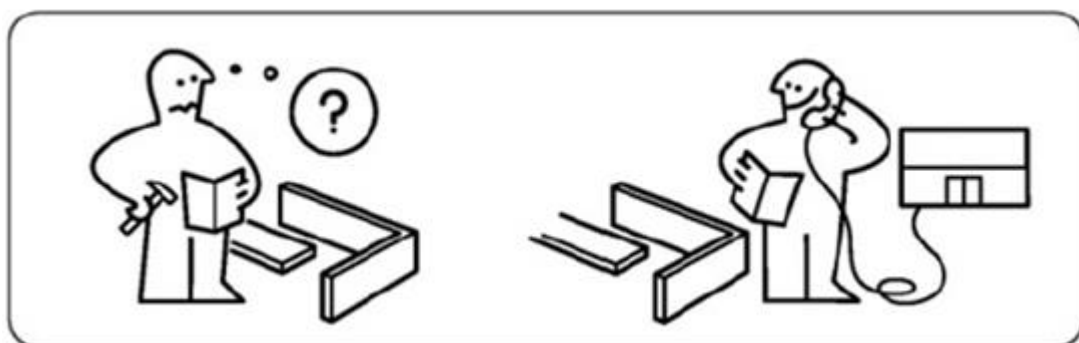
## Tools Required For Assembly



## Assemble Item On a Clean Flat Surface



## Assembly Assistance, Please Call 1300 Office (1300 633 423)



Please check you have all hardware before assembling.

If you are missing any hardware from the hardware list please email our customer service at [sales@maxfit.com.au](mailto:sales@maxfit.com.au) or telephone (03) 9939 4765

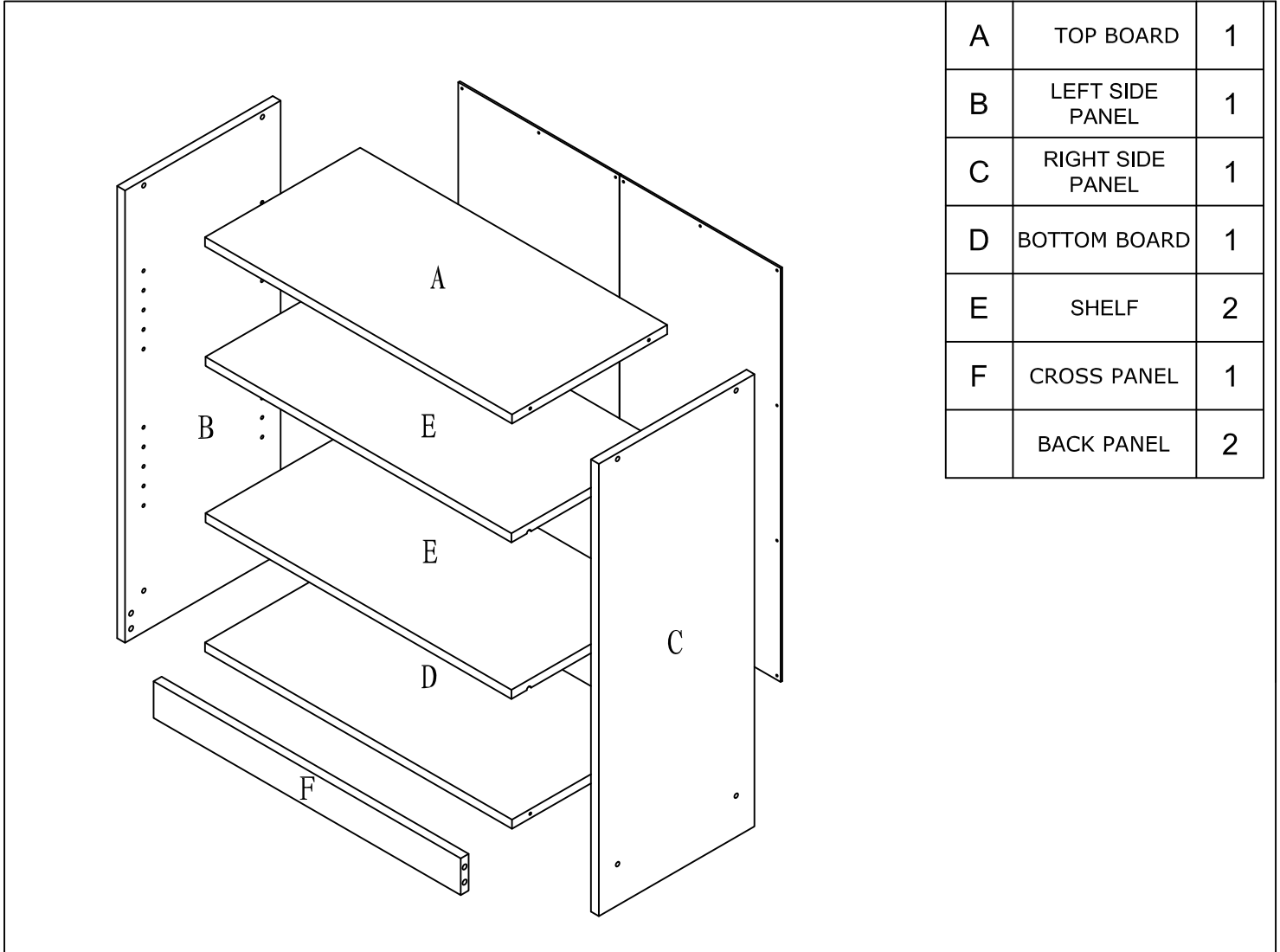
Please ensure you have the name of item, store purchase from, hardware part required and quantity.

Please retain your receipt for proof of purchase to validate warranty. Enjoy your new purchase.




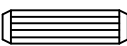
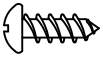
Officeworks Superstores Pty Ltd. | 236-262 East Boundary Road | East Bentleigh | 3165 | AUSTRALIA

## Hardware List

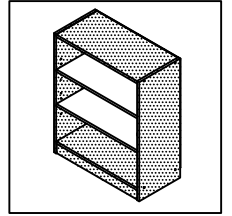
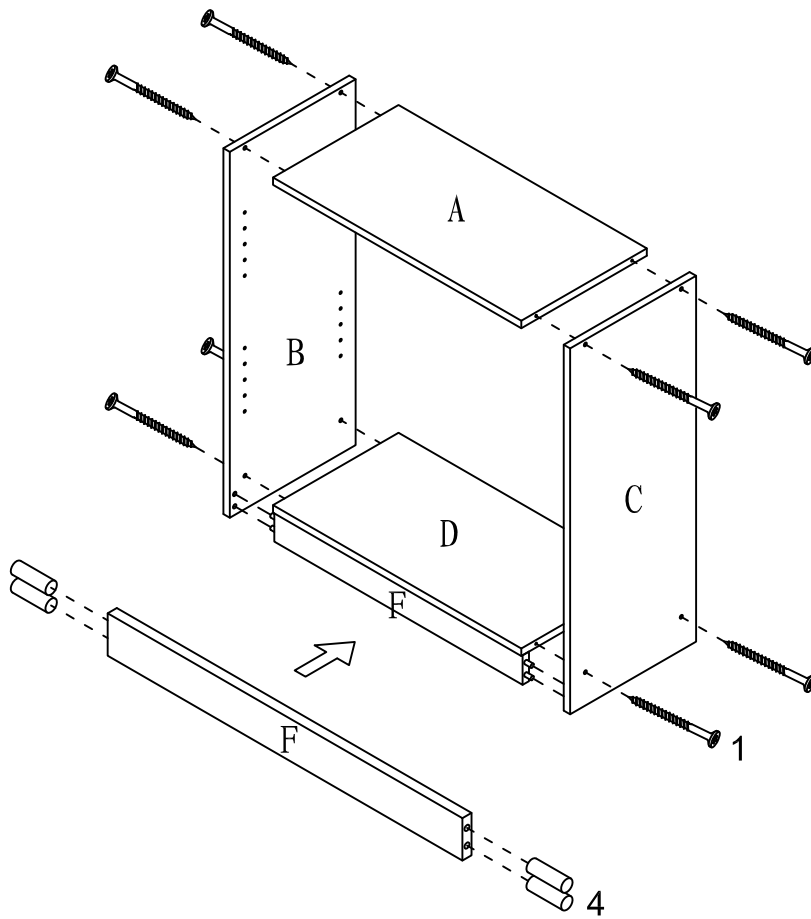
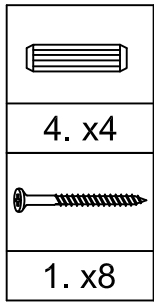
Phillips head screwdriver is required, not included.



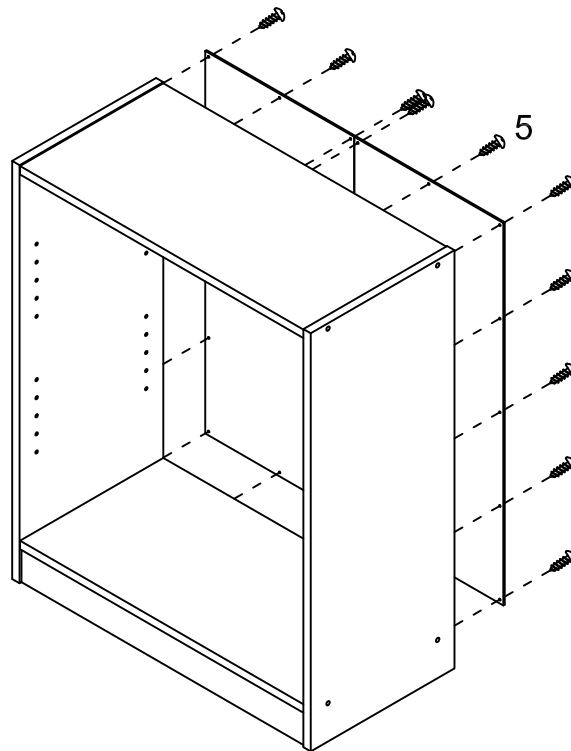
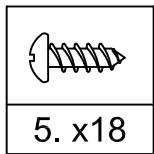
A	TOP BOARD	1
B	LEFT SIDE PANEL	1
C	RIGHT SIDE PANEL	1
D	BOTTOM BOARD	1
E	SHELF	2
F	CROSS PANEL	1
	BACK PANEL	2

				
1. x8	2. x8	3. x8	4. x4	5. x18

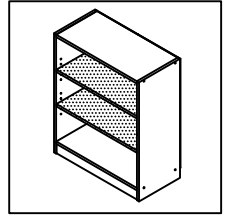
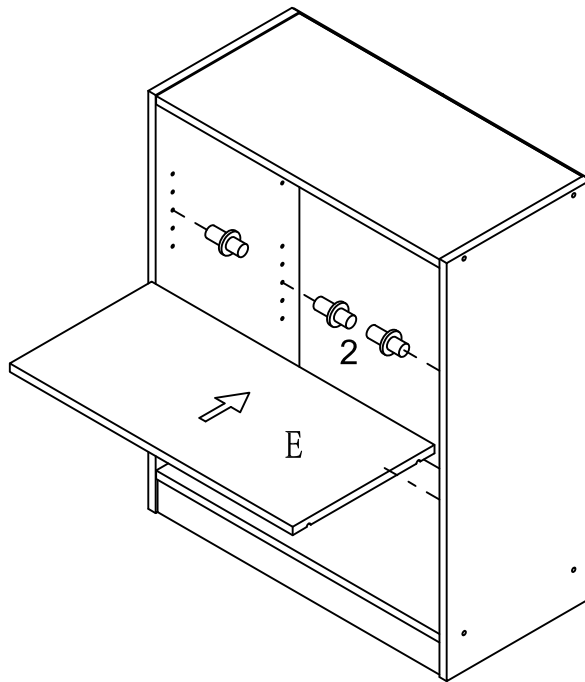
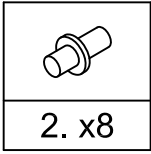
## Step 1



## Step 2



### Step 3



### Step 4

