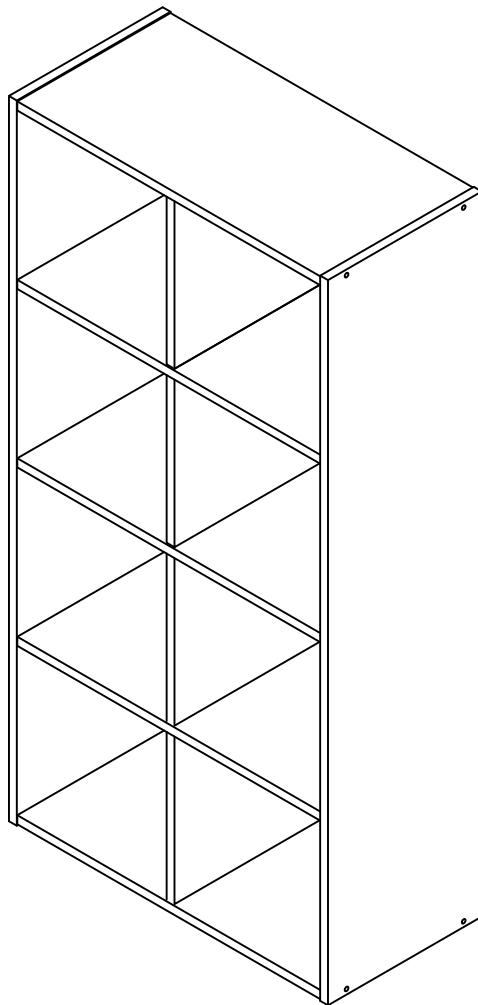


# ASSEMBLY INSTRUCTIONS

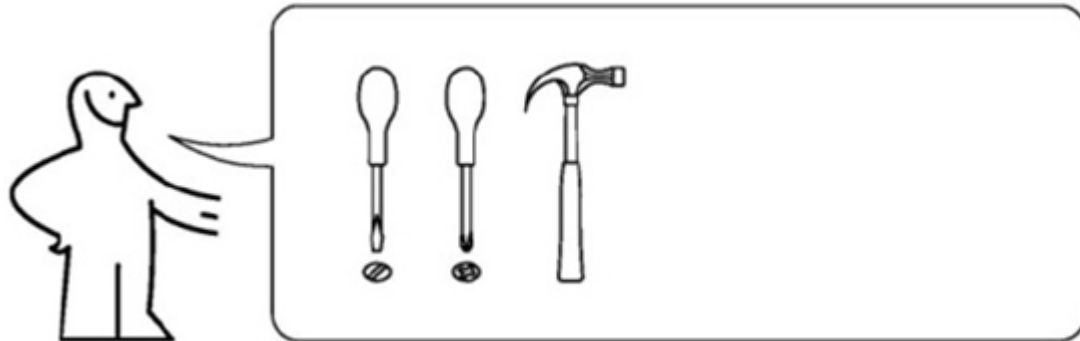
NEVADA 8 CUBES (1CTN)

OWNV8CUBEW/OWNV8CUBEB/OWNV8CUBEC

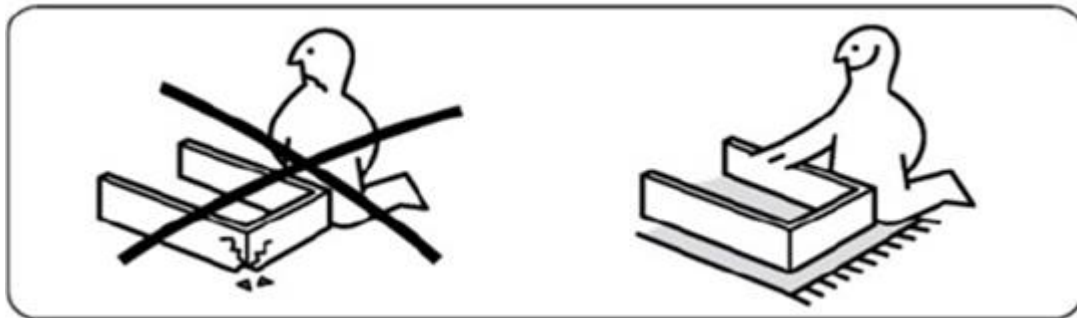
2050000083266/2050000083273/9341694035260



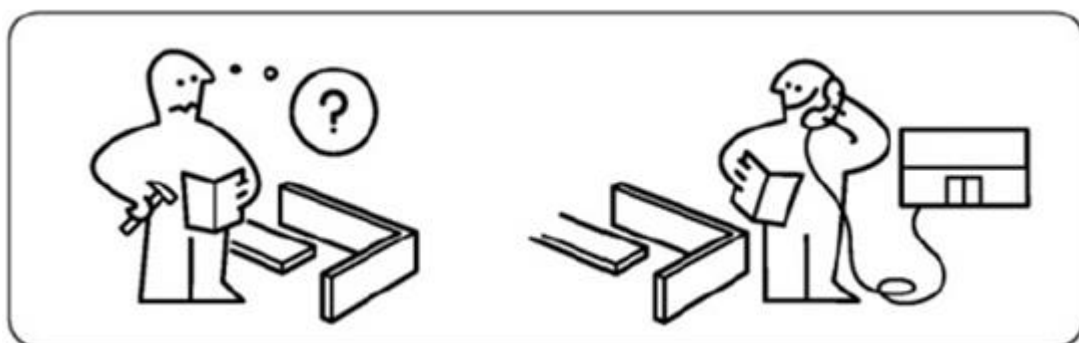
## Tools Required For Assembly



## Assemble Item On a Clean Flat Surface



## Assembly Assistance, Please Call 1300 Office (1300 633 423)

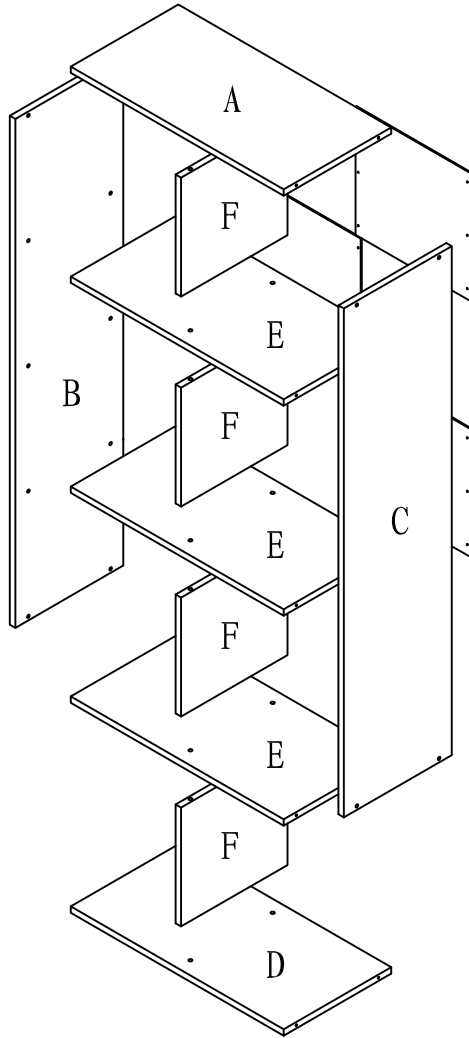


Please check you have all hardware before assembling.  
If you are missing any hardware from the hardware list please email our customer service at [sales@maxfit.com.au](mailto:sales@maxfit.com.au) or telephone (03) 9939 4765  
Please ensure you have the name of item, store purchase from, hardware part required and quantity.  
Please retain your receipt for proof of purchase to validate warranty. Enjoy your new purchase.



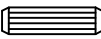
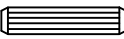

Officeworks Superstores Pty Ltd. | 236-262 East Boundary Road | East Bentleigh | 3165 | AUSTRALIA

## Hardware List

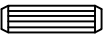
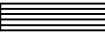
Phillips head screwdriver is required, not included.

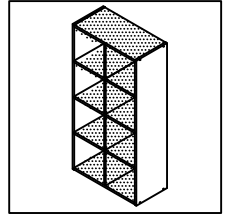
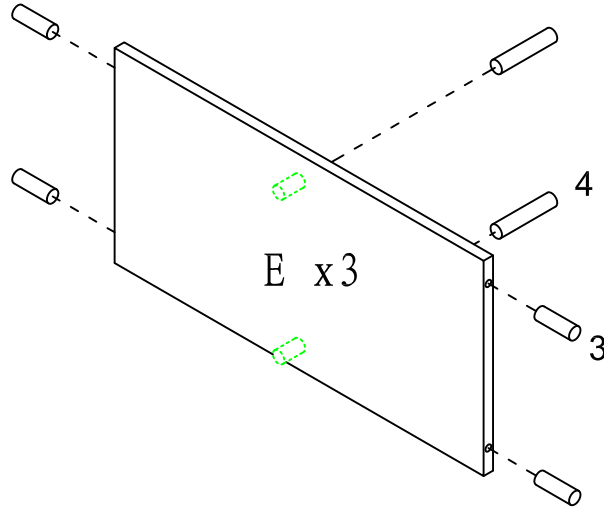


A	TOP BOARD	1
B	LEFT SIDE PANEL	1
C	RIGHT SIDE PANEL	1
D	BOTTOM BOARD	1
E	SHELF	3
F	CENTRE PANEL	4
	BACK PANEL	4

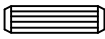
				
1. x8	2. x8	3. x16	4. x6	5. x24

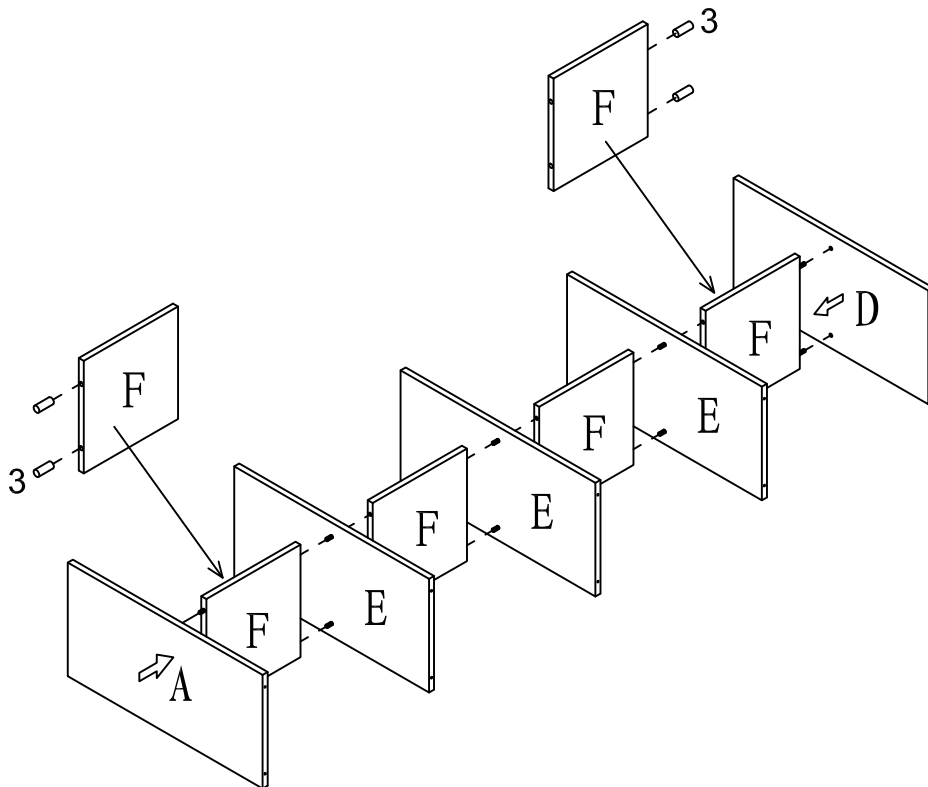
# Step 1

-  3. x12
-  4. x6





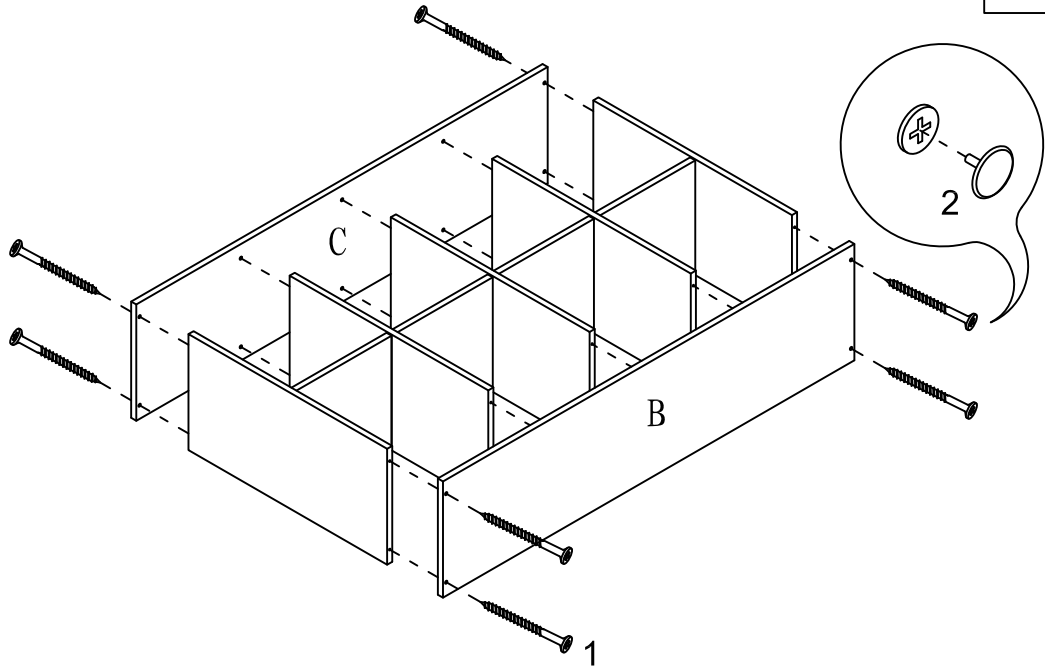
# Step 2

-  3. x4

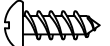


### Step 3

-  1. x8
-  2. x8



### Step 4

-  5. x24

