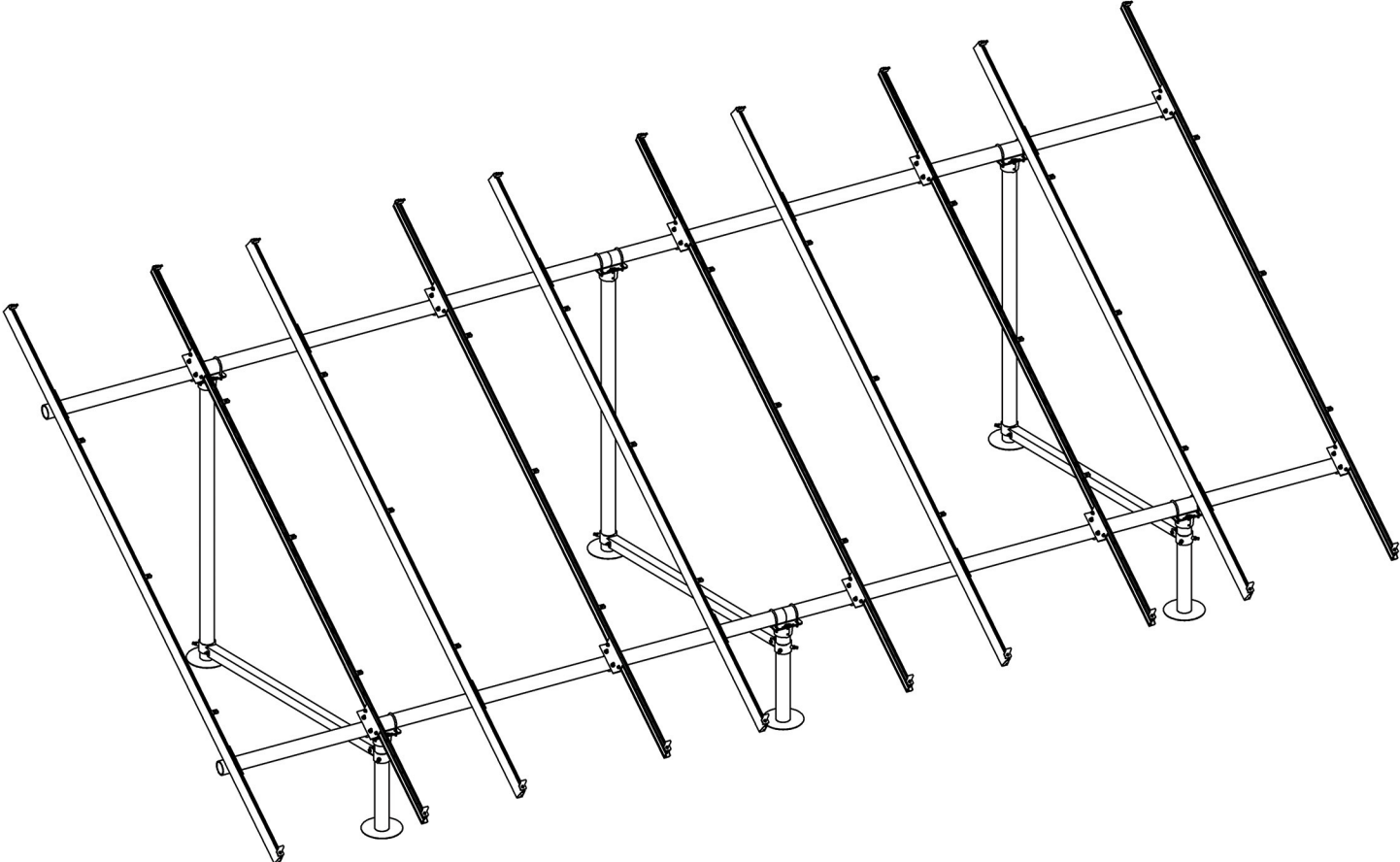


GROUND MOUNT



CONTENTS

DISCLAIMER	1
CHECKLIST	2
1. ERECT BASE	3
2. CONNECT PIPES	3
3. PLACE RAILS	4
4. SECURE LUGS	4
5. CLAMP MODULES	5
DIAGONAL BRACES (OPTIONAL)	6
UNDER CLAMPS (OPTIONAL)	6
END CAPS (OPTIONAL)	6
WIRE CLIPS (OPTIONAL)	6
WARRANTY	7

DISCLAIMER

This manual describes the proper installation procedures and provides necessary standards required for product reliability and warranty. All installers must thoroughly read this manual and have a clear understanding of the installation steps and procedures prior to installation. Failure to follow these guidelines may result in property damage, bodily injury or even death.

IT IS THE INSTALLER'S RESPONSIBILITY TO:

- Ensure that the installation is completed by a licensed solar professional.
- Comply with all applicable local or national building codes, including any that may supersede this manual.
- Ensure all products are appropriate for the installation, environment, and array under the site's loading conditions.
- Use only IronRidge parts or parts recommended by IronRidge; substituting parts may void any applicable warranty.
- Review the [Design Assistant](#), [Engineering Design Guide](#), and [Certification Letters](#) to confirm design specifications.
- Comply with all applicable fire codes including, but not limited to, keeping walkways clear and avoiding obstacles.
- Ensure provided information is accurate. Issues resulting from inaccurate information are the installer's responsibility.
- Confirm with the module manufacturer that Ground Mount is compatible with the selected module.
- Validate foundation parameters prior to installation, as a local geotechnical report may be required to assess ground conditions. We recommend consulting with a local engineer familiar with local regulations and build site requirements, including soil conditions, terrain and load criteria. All parameters may impact foundation requirements.
- Ensure safe installation of all electrical aspects of the array. All electrical installation and procedures should be conducted by a licensed and bonded electrician or solar contractor. All work must comply with national, state and local installation procedures, product and safety standards.

CHECKLIST

PRE-INSTALLATION

- Verify module compatibility with Ground Mount.
- Purchase 2" or 3" schedule 40 steel pipe for structure.
- Verify that needed components have been obtained. Contact your local distributor for any additional parts.

TOOLS REQUIRED

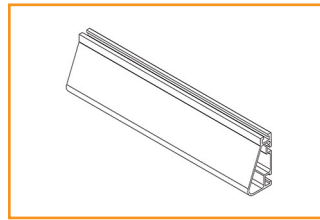
- Post Hole Digger or Powered Auger
- Socket Drive (7/16", 9/16", and 1/2" Sockets)
- Torque Wrenches (0-240 in-lbs and 10-40 ft-lbs)
- Transit, String Line, or Laser Level
- 3/16" Allen Head

TORQUE VALUES

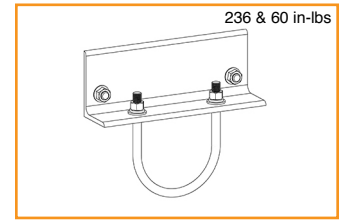
Reduce torque values by 15% when lubricated.

- Top Cap Set Screws (3/8"-16): 240 in-lbs (dry)
- Top Cap U-Bolt Nuts (3/8"-16): 180 in-lbs (dry)
- Rail Connector Bracket Nuts (3/8"-16): 236 in-lbs (dry)
- Rail Connector U-Bolt Nuts (3/8"-16): 60 in-lbs (dry)
- Grounding Lug Nuts (1/4"-20): 120 in-lbs (dry)
- Grounding Lug Set Screws (1/4"-20): 84 in-lbs (dry)
- End Clamp Nuts (1/4"-20): 60 in-lbs (dry)
- Mid Clamp Nuts (1/4"-20): 120 in-lbs (dry)
- Diagonal Brace Hardware (1/2"-13): 480 in-lbs (dry)
- Under Clamp Nuts (1/4"-20): 120 in-lbs (dry)
- Reduce torque values by 15% when lubricated.

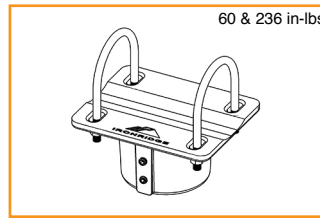
PRIMARY COMPONENTS



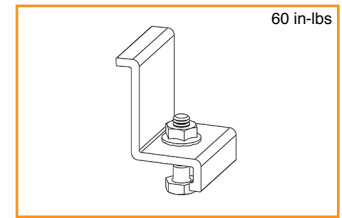
Standard Rails
Aluminum



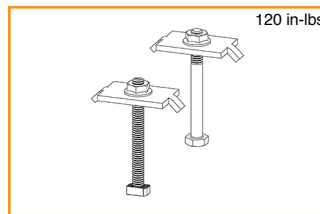
Rail Connectors
Aluminum



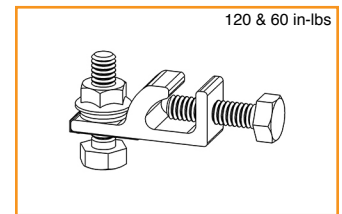
Top Caps
Aluminum



End Clamps
Aluminum



Mid Clamps
Aluminum

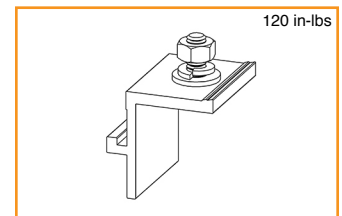


Grounding Lugs
Tinned Copper & SS

SECONDARY COMPONENTS



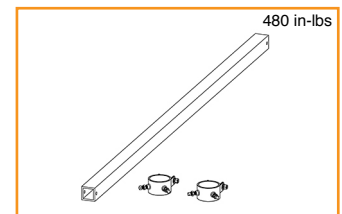
Wire Clips
Polycarbonate



Under Clamps
Aluminum



End Caps
Polycarbonate



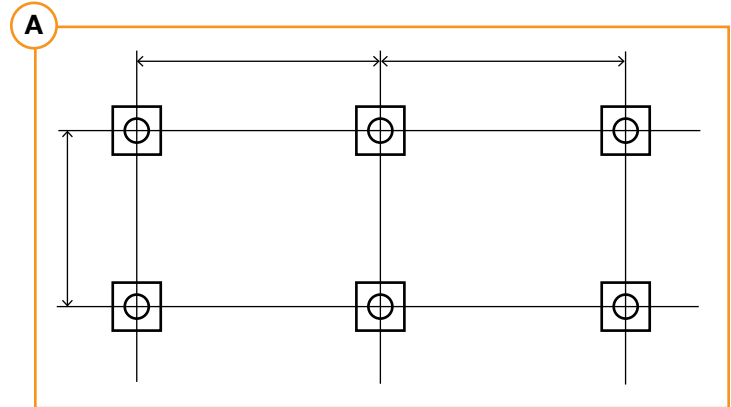
Diagonal Braces
Aluminum

1. BUILD BASE

A. POSITION PIERS

Establish pier locations. Once grid of pier positions has been set, verify all angles are square.

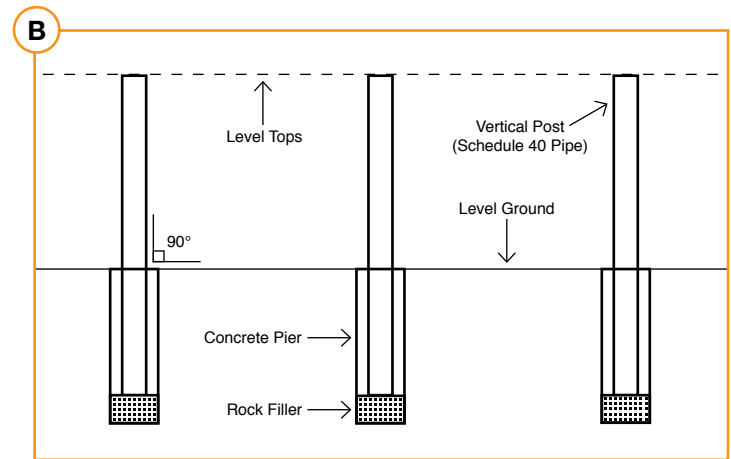
- ☑ Spacing varies with load conditions. Consult engineering specs.



B. STAND POSTS

Excavate foundation, install piers, and insert vertical posts. Make sure vertical posts are plumb, level, and square, in parallel rows. Even tops of vertical posts with level.

- ☑ For concrete piers, brace posts until cured to remain plumb.
- ☑ In some cases, cross bracing is required to provide extra support for posts. If required, install [Diagonal Braces](#) at this time.

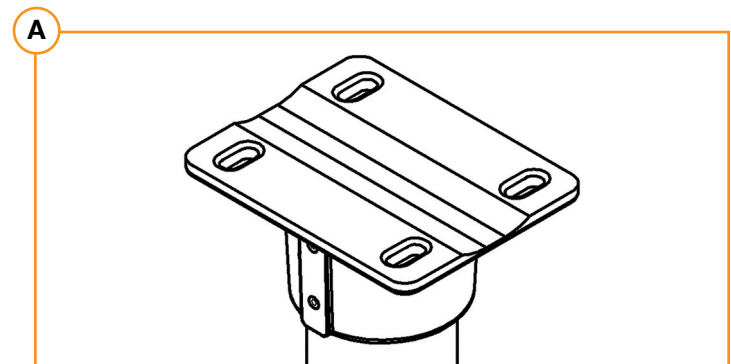


2. CONNECT PIPES

A. MOUNT TOP CAPS

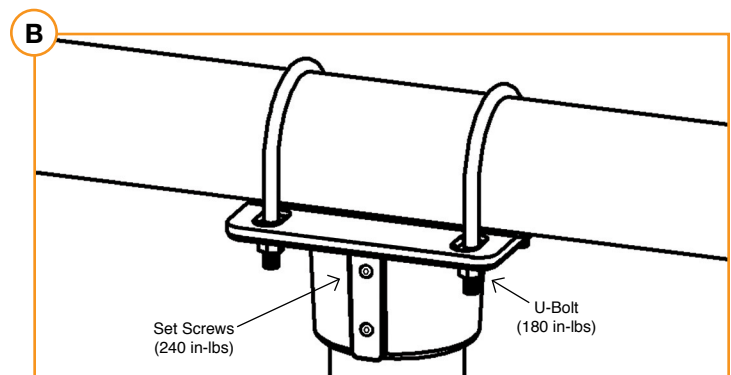
Mount a Top Cap on each post. Wait to tighten set screws.

- ☑ If using [Diagonal Braces](#), install them prior to Top Caps.



B. LAY PIPES

Set cross pipes in Top Cap grooves. Attach with 3/8"-16 U-bolts, flange nuts, flat washers, and lock washers. Torque U-bolts to 180 in-lbs. Complete and align entire assembly. Torque Top Cap set screws to 240 in-lbs.

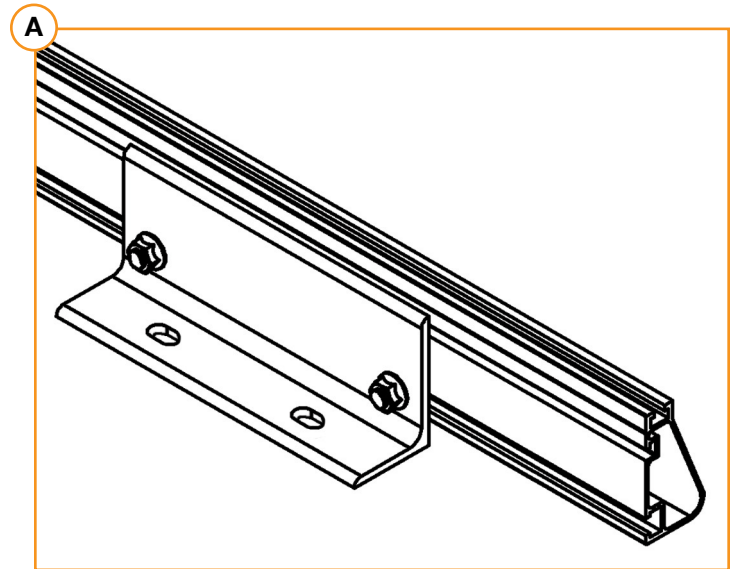


3. PLACE RAILS

A. ATTACH HARDWARE

On ground, attach Rail Connector bracket to rail by sliding 3/8"-16 bolts into side slot. Space out to match pier spacing. With bracket in place, finger tighten flange nuts onto bolts. Repeat for remaining Rail Connectors.

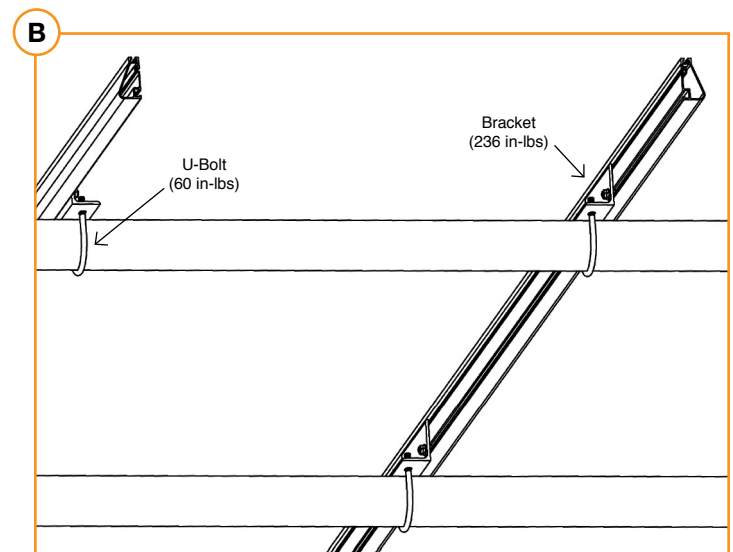
- ☑ If using Mid Clamps with hex bolts, slide provided 1/4"-20 bolts into top slot of rails at this time. Space bolts for panel spacing.
- ☑ Tape ends of rail, to keep bolts from sliding out while moving.



B. FASTEN CONNECTORS

Center rails on cross pipes, leaving equal distance on ends. Secure with Rail Connector hardware: 3/8"-16 U-bolts, flange nuts, flat washers, and lock washers. Torque U-bolt to 60 in-lbs and bracket to 236 in-lbs.

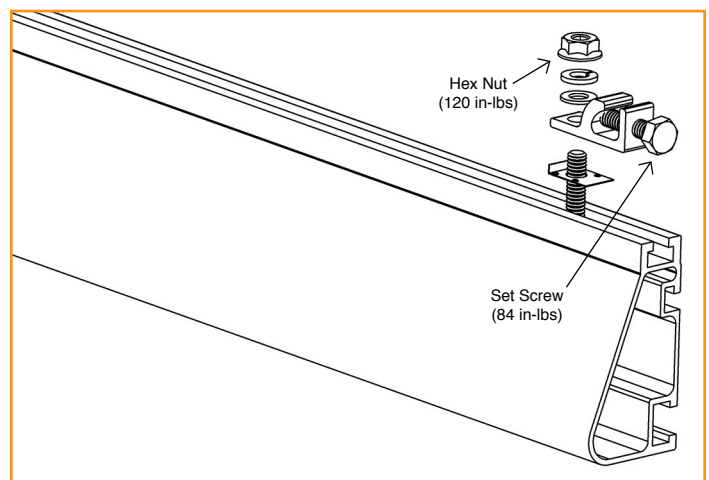
- ☑ Spacing between rails should align with module mounting holes.



4. SECURE LUGS

WEEB LUGS

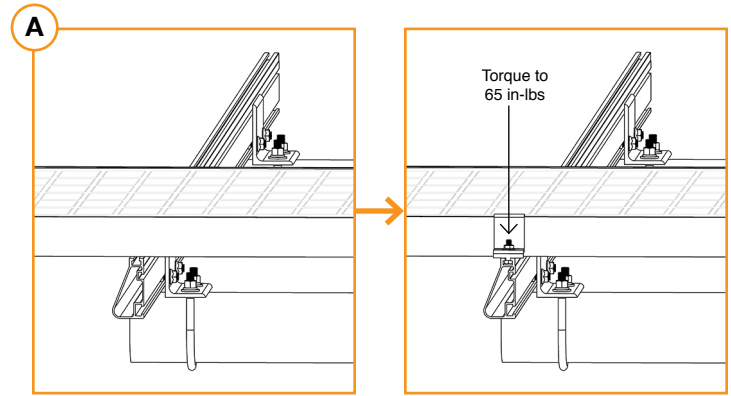
Review Wiley [WEEB Installation Instructions](#), using 6-10 AWG (minimum) solid copper grounding wire. Torque hex nut to 120 in-lbs and set screw to 84 in-lbs.



5. CLAMP MODULES

A. END CLAMPS

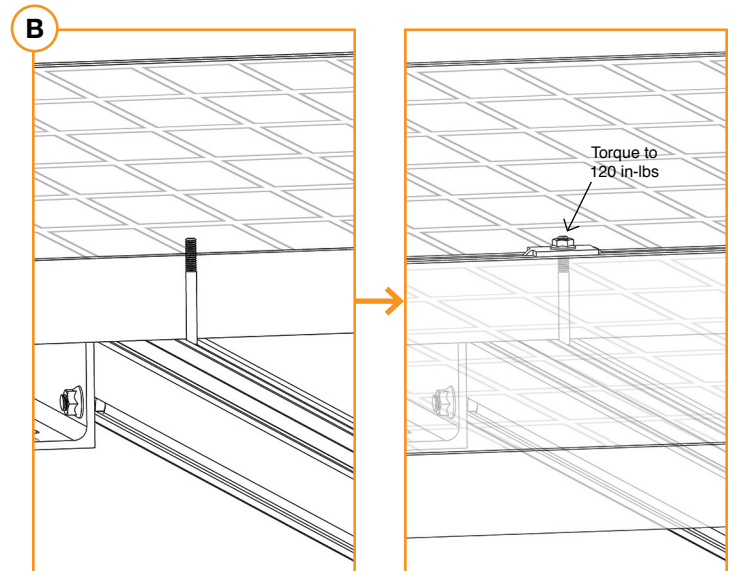
Place first module in position on rails, a minimum of 1.5" from rail ends. Secure End Clamps on rails, ensuring they are hooked over top of module. Torque to 65 in-lbs.



B. MID CLAMPS

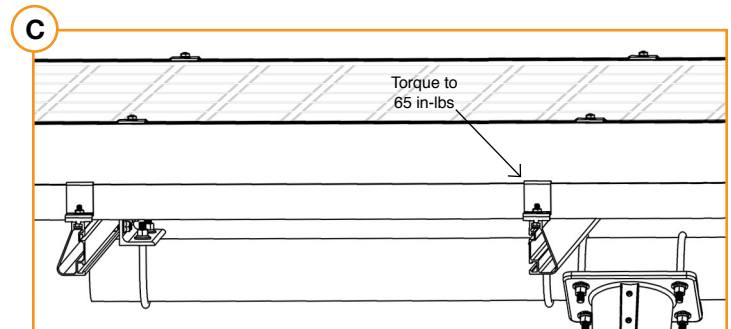
Slide Mid Clamp T-bolts in top rail slots, placing them flush against opposite side of module. Place second module into position on rails, against Mid Clamp bolts. Put a Mid Clamp, then flange nut, on each bolt. Torque to 120 in-lbs. Repeat for each following module.

- ☑ Refer to [WEEB Installation Manual](#) for installing WEEB Clips.
- ☑ If using Under Clamps or Wire Clips, refer to [Page 6](#).
- ☑ Grounding Mid Clamps should not be used with Ground Mount.



C. END CLAMPS

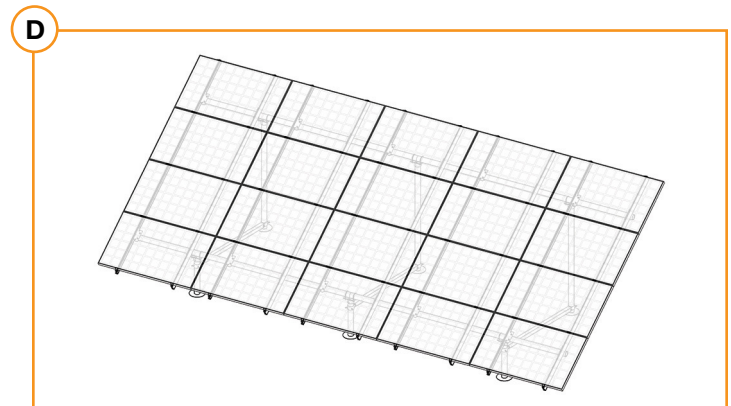
Place last module in position on the rails, a minimum of 1.5" from rail ends. Secure End Clamps on rails, ensuring they are hooked over top of module. Torque to 65 in-lbs.



D. REPEAT STEPS

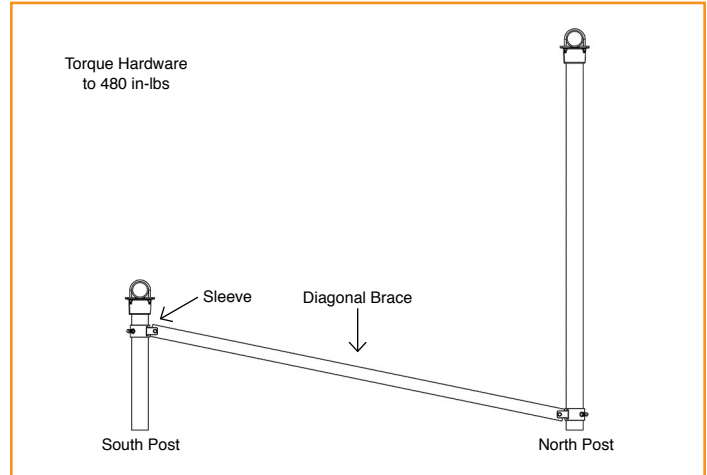
Clamp remaining module rows:

- ☑ If using End Caps, refer to [Page 6](#).



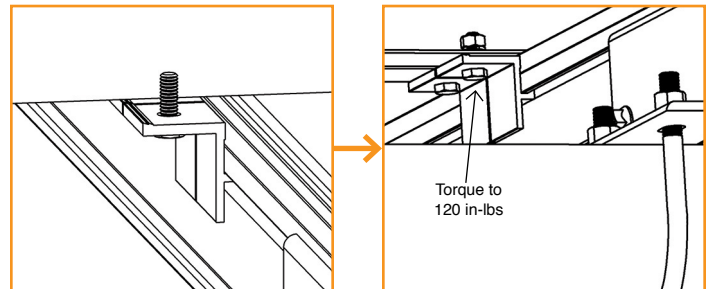
DIAGONAL BRACES (OPTIONAL)

Slide sleeve on north post, 2-3" above the ground. Attach Diagonal Brace to sleeve with 1/2" hardware. Slide second sleeve on south post, raising Diagonal Brace to align holes in sleeve and brace. Attach hardware and raise sleeve to full extent. Torque Diagonal Brace assembly to 480 in-lbs.



UNDER CLAMPS (OPTIONAL)

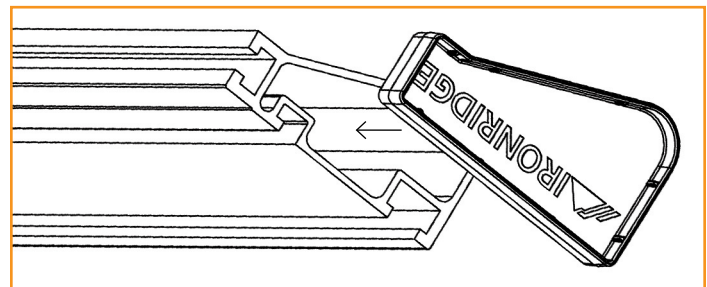
Slide Under Clamp into side rail slot. Line up Under Clamp with module mounting holes and attach with hardware. Torque hardware to 120 in-lbs.



END CAPS (OPTIONAL)

End Caps add a completed look and keep debris and pests from collecting inside rail.

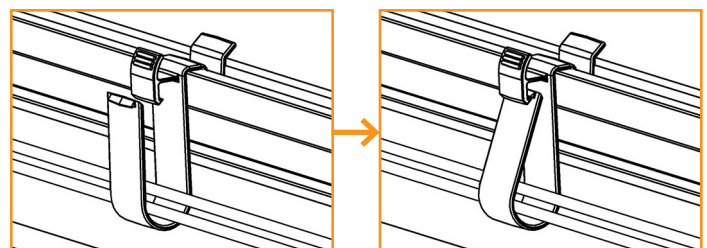
Firmly press End Cap onto rail end.



WIRE CLIPS (OPTIONAL)

Wire Clips offer a simple wire management solution.

Firmly press Wire Clip into top rail slot. Open clip and insert electrical wire accordingly. Close clip once complete.



WARRANTY

Effective for IronRidge, Inc. (“IronRidge”) mounting structure components (“Products”) manufactured after April 1st, 2012, IronRidge provides the following warranties, for Products installed properly and used for the purpose for which the Products are designed:

- finishes shall be free of visible defects, peeling, or cracking, under normal atmospheric conditions, for a period of three (3) years from the earlier of (i) the date of complete installation of the Product or (ii) thirty days after the original purchaser’s date of purchase of the Product (“Finish Warranty”);
- components shall be free of structurally-related defects in materials for a period of ten (10) years from the earlier of (i) the date of complete installation of the Product or (ii) thirty days after the original purchaser’s date of purchase of the Product;
- components shall be free of functionally-related manufacturing defects for a period of twenty (20) years from date of manufacture.

The Finish Warranty does not apply to: (a) surface oxidation of the galvanized steel components or any foreign residue deposited on Product finish; and (b) Products installed in corrosive atmospheric conditions, as defined solely by IronRidge; corrosive atmospheric conditions include, but are not limited to, conditions where Product is exposed to corrosive chemicals, fumes, cement dust, salt water marine environments or to continual spraying of either salt or fresh water. The Finish Warranty is VOID if (c) the practices specified by AAMA 609 & 610-02 – “Cleaning and Maintenance for Architecturally Finished Aluminum” (www.aamanet.org) are not followed by Purchaser for IronRidge’s aluminum based components; and (d) if the practices specified by ASTM A780 / A780M - 09 “Standard Practice for Repair of Damaged and Uncoated Areas of HotDip Galvanized Coatings” are not followed by Purchaser for IronRidge’s galvanized steel-based components.

The warranties above do not cover any parts or materials not manufactured by IronRidge, and exclude nonfunctionally-related defects, as defined solely by IronRidge. The warranties do not cover any defect that has not been reported to IronRidge in writing within twenty (20) days after discovery of such defect.

In the event of breach of or non-compliance with the warranties set forth above, IronRidge’s sole obligation and liability, and the sole and exclusive remedy for such breach or non-compliance, shall be correction of defects by repair, replacement, or credit, at IronRidge’s sole discretion. Such repair, replacement or credit shall completely satisfy and discharge all of IronRidge’s liability with respect to these warranties.

Refurbished Product may be used to repair or replace the defective components. Transportation, installation, labor, or any other costs associated with Product replacement are not covered by these warranties and are not reimbursable. These warranties additionally do not cover (a) normal wear, or damage resulting from misuse, overloading, abuse, improper installation (including failure to follow professional instruction and certification), negligence, or accident, or from force majeure acts including any natural disasters, war or criminal acts; and (b) Products that have been altered, modified or repaired without written authorization from IronRidge or its authorized representative; and (c) Products used in a manner or for a purpose other than that specified by IronRidge. A formal document proving the purchase and the purchase date of the Product is required with any warranty claim.

Except as set forth above, IronRidge sells the Products on an “AS IS” basis, which may not be free of errors or defects, and ALL EXPRESS OR IMPLIED REPRESENTATIONS AND WARRANTIES, INCLUDING ANY WARRANTIES OF MERCHANTABILITY, FITNESS FOR A PARTICULAR PURPOSE, QUALITY, WORKMANLIKE EFFORT, CORRESPONDENCE TO DESCRIPTION, DESIGN, TITLE OR NON-INFRINGEMENT, OR ARISING FROM COURSE OF DEALING, COURSE OF PERFORMANCE OR TRADE PRACTICE, ARE HEREBY DISCLAIMED.