



2011 LEAF™

First Responder's Guide



Zero Emission

Foreword

This manual describes first response operations and related warnings and cautions for this vehicle. This vehicle is an electrically driven car equipped with a high voltage battery pack. **Failure to follow recommended practices during emergency responses will cause death or serious personal injury.**

Please read this manual in advance in order to understand the features of this vehicle and to help you deal with incidents involving this vehicle. Follow the procedures in order to help assure a successful first response operation.

NISSAN EMERGENCY CONTACT INFORMATION

- Nissan EV Customer Support: 1-877-664-2738 (Hours of operation are Monday-Friday 7am - 7pm, Saturday 8am - 4:30pm Central time zone)
- Nissan Consumer Affairs: 1-800-647-7261 (US) or 1-800-387-0122 (Canada) (Hours of operation are 8am - 5pm (Monday-Friday) Eastern, Central and Pacific time zones)

IMPORTANT INFORMATION ABOUT THIS MANUAL

You may see various symbols in this manual. They have the following meanings:



This symbol is used to inform you of an operation which will result in death or serious personal injury if instructions are not followed.

Example: Touching high voltage components without using the appropriate protective equipment will result in electrocution.



This symbol is used to inform you of an operation which may cause death or serious personal injury if instructions are not followed.



This symbol is used to inform you of an operation which may cause personal injury or component damage if instructions are not followed.

Please note that there may be differences between this manual and the vehicle specification due to specification changes.

Table of Contents

FOREWORD	2
NISSAN EMERGENCY CONTACT INFORMATION	2
IMPORTANT INFORMATION ABOUT THIS MANUAL	2
1. ABOUT THE NISSAN LEAF™	4
1-1 LEAF IDENTIFICATION	5
1-1.1. EXTERIOR	5
1-1.2. INTERIOR COMPONENT LOCATION	6
1-2 VEHICLE IDENTIFICATION NUMBER (VIN) LAYOUT	7
1-3 WARNING AND INDICATOR LAMP INFORMATION	7
2. BASIC HIGH VOLTAGE SYSTEM AND 12V SYSTEM INFORMATION	8
2-1 HIGH VOLTAGE-RELATED AND 12V-RELATED COMPONENT LOCATIONS AND DESCRIPTIONS	8
2-1.1. LI-ION BATTERY PACK SPECIFICATIONS	9
2-2 HIGH VOLTAGE SAFETY MEASURES	10
2-2.1. WARNING LABEL	10
2-3 HIGH VOLTAGE CIRCUIT SHUT-OFF SYSTEM	11
2-4 PREVENTING ELECTRICAL SHOCK	11
2-5 EMERGENCY MEDICAL EQUIPMENT	11
3. EMERGENCY RESPONSE STEPS	12
3-1 PREPARATION ITEMS	13
3-1.1. PPE (PERSONAL PROTECTIVE EQUIPMENT) PROTECTIVE WEAR CONTROL	14
3-1.2. DAILY INSPECTION	14
3-1.3. INSULATED TOOLS	14
3-2 VEHICLE IMMOBILIZATION AND STABILIZATION	14
3-2.1. SETTING THE ELECTRIC PARKING BRAKE	14
3-3 HOW TO HANDLE A DAMAGED VEHICLE AT AN ACCIDENT SCENE	16
3-3.1. HIGH VOLTAGE SYSTEM SHUT-DOWN PROCEDURE	16
3-3.2. WATER SUBMERSION	24
3-3.3. VEHICLE FIRE	25
3-3.4. CUTTING THE VEHICLE BODY	25
3-3.5. LI-ION BATTERY DAMAGE AND FLUID LEAKS	30
3-3.6. ACCESSING THE OCCUPANTS	30
4. EMERGENCY QUICK REFERENCE GUIDE	32

1. About The Nissan LEAF™

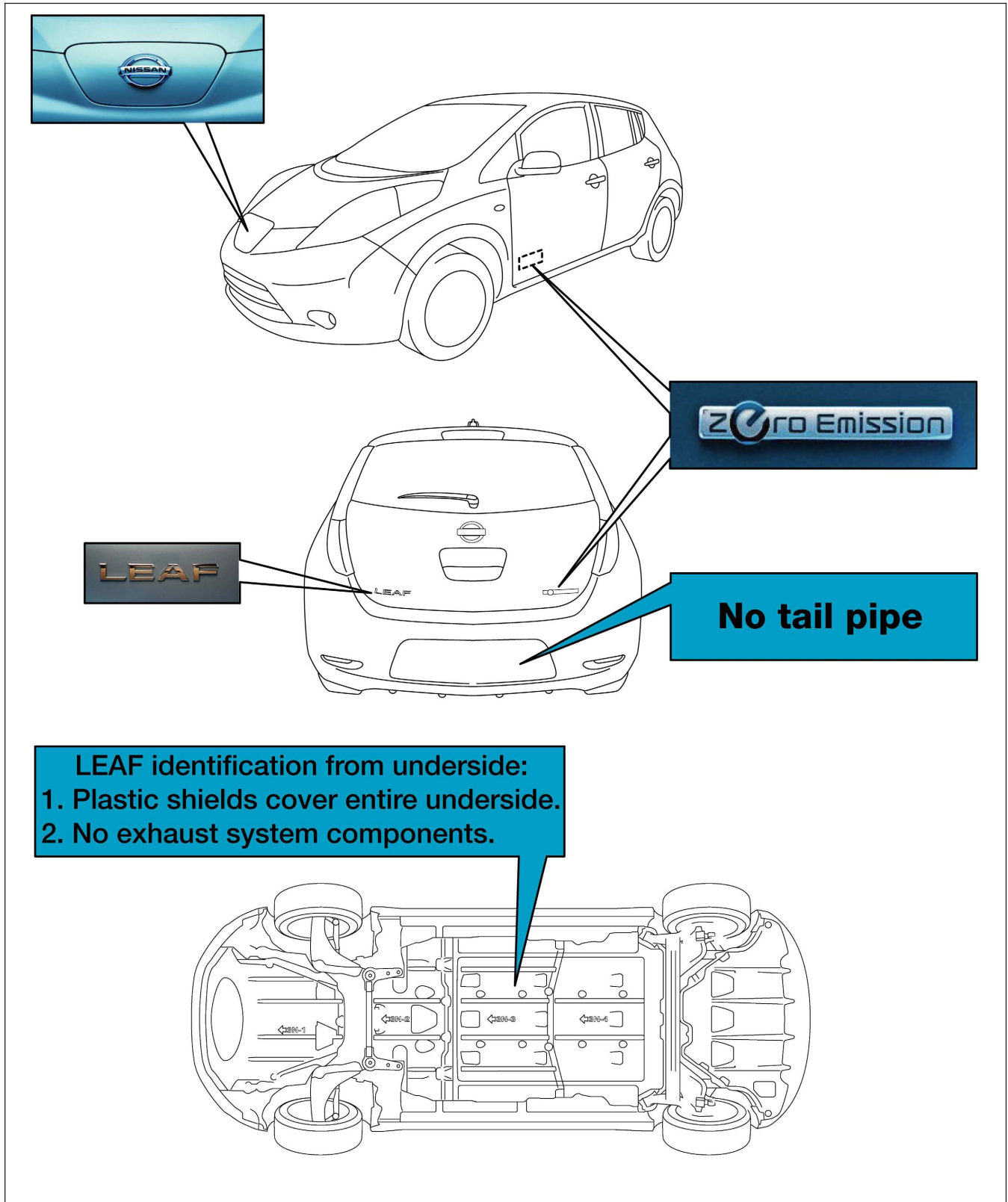
This vehicle uses two types of batteries. One is a 12V battery that is the same as the battery in vehicles powered by internal combustion engines, and the other is the Lithium-ion (Li-ion) battery (high voltage) for the traction motor which propels the vehicle. The Li-ion battery is encased in steel and mounted underneath the vehicle.

The vehicle must be plugged-in in order for the Li-ion battery to be recharged. Additionally, the vehicle system can recharge the Li-ion battery by converting driving force into electricity while the vehicle is decelerating or being driven downhill. This is called regenerative charging. This vehicle is considered to be an environmentally friendly vehicle because it does not emit exhaust gases.

1-1 LEAF Identification

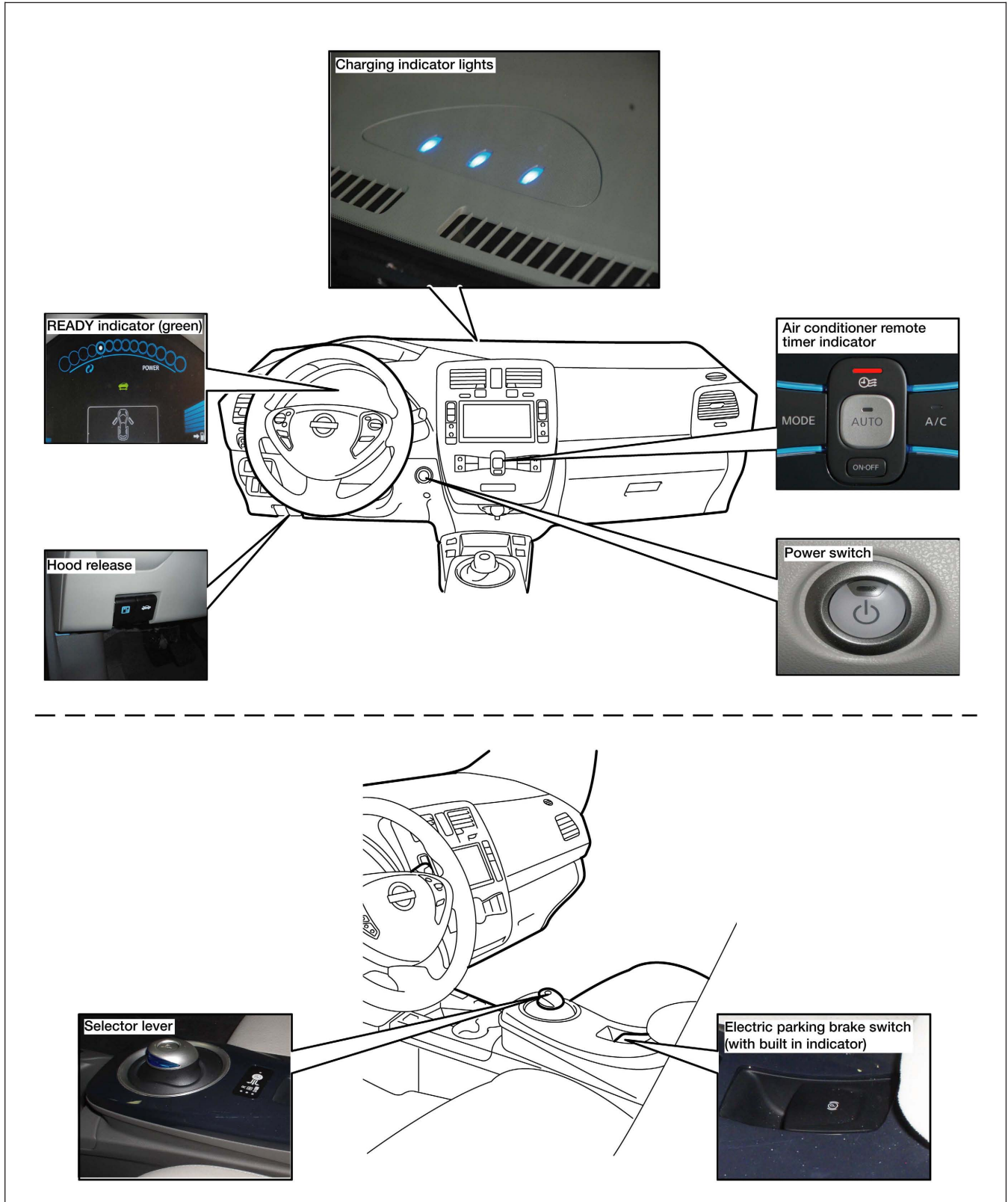
1-1.1 Exterior

The specific exterior identification features are indicated as follows:



1-1.2 Interior Component Location

Interior components referenced in this manual are as follows:



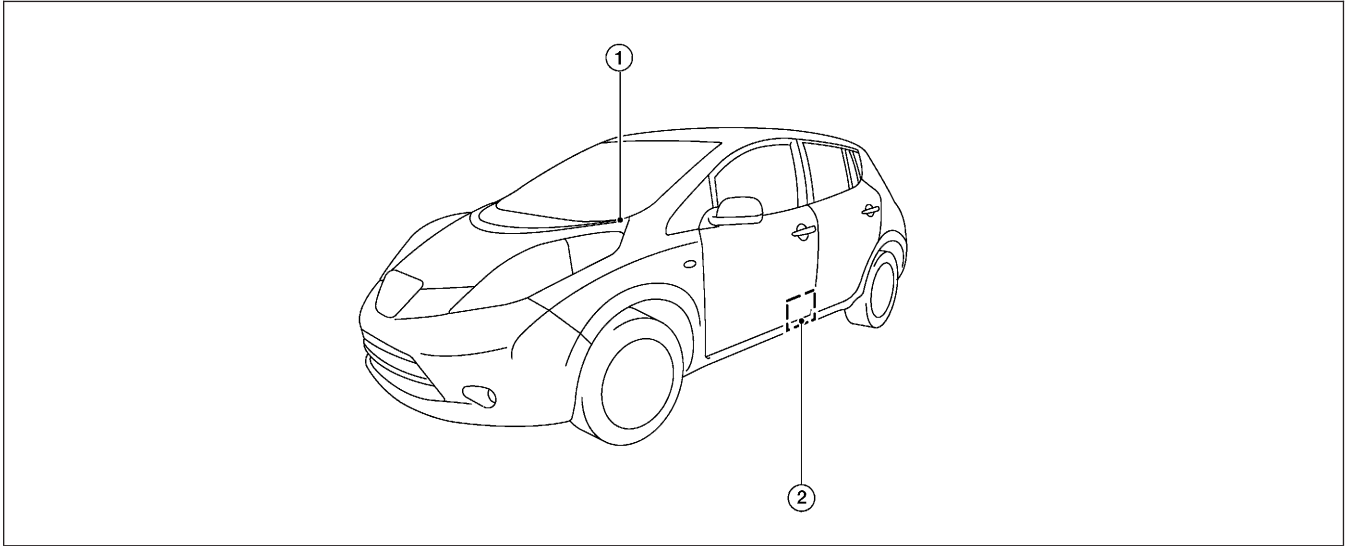
1-2 Vehicle Identification Number (VIN) Layout

The vehicle identification number can be located as follows:

Example VIN : JN1AZ0CP3BT000001

The LEAF is identified by the 5th alphanumeric character: **Z**

Z = Electric vehicle



1. VIN plate (visible through windshield)

2. Vehicle certification plate (lower center pillar)

1-3 Warning and Indicator Lamp Information

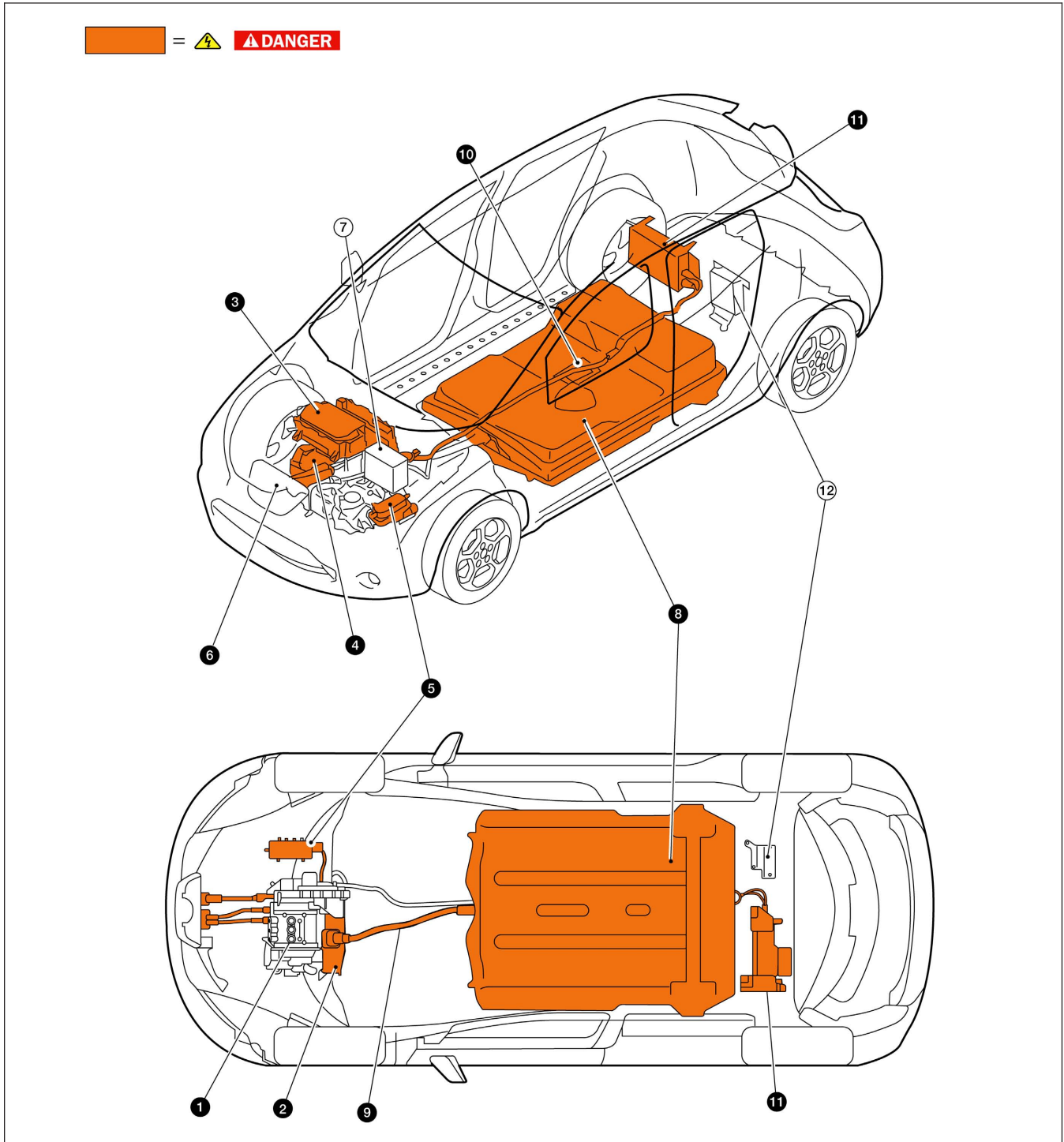
The following warning and indicator lamps are located in the instrument cluster.

Lamp Name	Icon	Description
READY Indicator		This lamp is on when the EV system is powered up and the vehicle is ready to drive.
EV System Warning Lamp *1		<ul style="list-style-type: none"> ▪ Malfunction has occurred in the EV system and/or ▪ Emergency shut-off system has been activated. The shut-off system activates in the following conditions: <ul style="list-style-type: none"> – Front and side collisions in which the air bags are deployed. – Certain rear collisions. – Certain EV system malfunctions.
Master Warning Lamp (RED)		This lamp is on when another red warning lamp is displayed in the instrument cluster or a warning is displayed on the dot matrix LCD.
Master Warning Lamp (YELLOW)		This lamp is on when: <ul style="list-style-type: none"> ▪ Li-ion battery is getting low on charge. ▪ A yellow warning lamp is displayed in the instrument cluster or a message is displayed on the dot matrix LCD.

*1: When this lamp is ON, the ready lamp will turn OFF.

2. Basic High Voltage System and 12V System Information

2-1 High Voltage-Related and 12V-Related Component Locations and Descriptions



NOTE:

Components with white number in black background are high voltage components.

No.	Component	Location	Description
①	Traction Motor	Under hood	Converts three-phase AC power to drive power (torque) which propels the vehicle.
②	DC/DC Converter – High voltage junction box	Under hood	This component includes a DC/DC converter and high voltage junction box (J/B). The junction box provides electric power from the Li-ion battery to all high voltage parts of the vehicle. The DC/DC converter reduces the voltage of the Li-ion battery to provide power to the 12V battery in order to operate the vehicle's electric components (headlights, audio system, etc.).
③	Inverter	Under hood	Converts the DC power stored in the Li-ion battery to three-phase AC power and controls motor torque (revolution) by regulating the motor current.
④	Electric air conditioner compressor	Under hood	Air conditioner compressor
⑤	Cabin heater	Under hood	This is the electric heat source for the cabin heater. It heats the interior of the vehicle.
⑥	Charge port	Under hood	Connecting port for EVSE (Electric Vehicle Supply Equipment). Two ports are available: Normal charge and quick charge (if so equipped).
⑦	12V Battery	Under hood	A lead-acid battery that supplies power to the low voltage devices.
⑧	Li-ion (Lithium ion) battery	Undercarriage	Stores and outputs DC power (Maximum voltage 400V) needed to propel the vehicle.
⑨	High voltage cables	Undercarriage and Under hood	Orange-colored power cables carry high voltage current between each of the high voltage components.
⑩	High voltage battery service disconnect	Rear seat floor	Isolates the battery from the rest of the high voltage electrical system.
⑪	On Board Charger	Cargo area (This unit is installed behind a trim panel to prevent access)	Converts single-phase AC power from a home power outlet to DC power and increases the voltage in order to charge the Li-ion battery.
⑫	Brake power supply backup unit	Cargo area (This unit is installed behind a trim panel to prevent access)	Power supply backup unit for the brake system. It supplies power to the brake system if a malfunction occurs in the 12V battery.

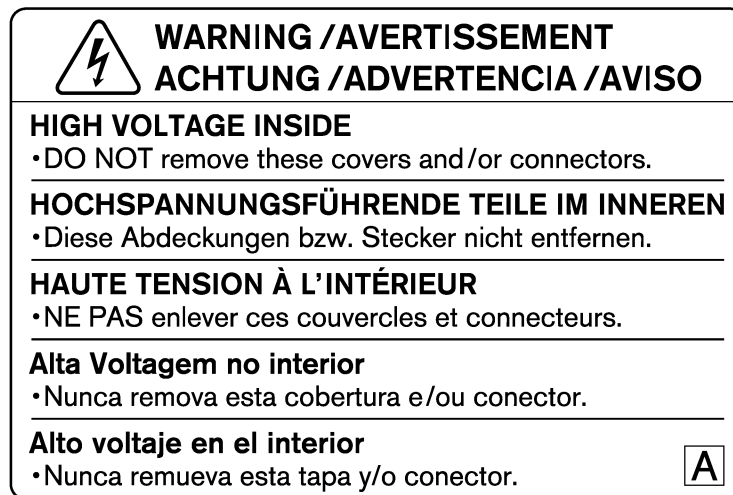
2-1.1 Li-ion Battery Pack Specifications

Li-ion battery voltage	403.2V
Number of Li-ion battery modules in the pack	48
Li-ion battery dimensions	61.8 x 46.8 x 10.4 in. (1570.5 x 1188 x 264.9 mm)
Li-ion battery weight	648 lbs (294 kg)

2-2 High Voltage Safety Measures

Circuit insulation	The high voltage positive (+) and negative (-) circuits are insulated from the metal chassis.
Reducing the risk of electrocution	The high voltage components and harnesses have insulated cases or orange-colored coverings which provide insulation and easy identification. The high voltage battery case is electrically connected to the vehicle ground. This connection helps protect the vehicle occupants and emergency responders from high voltage electrical shock.
Identification	The high voltage components are labeled "WARNING" similar to label shown below. All high voltage harnesses are coated in orange.

2-2.1 Warning Label



2-3 High Voltage Circuit Shut-Off System

The high voltage can be shut off by the following methods:

Service plug	Positioned in the center area of the Li-ion battery, this shuts off output high voltage when manually removed.
System main relay	Controlled by the power switch, this relay, which is controlled by the 12V system, shuts off the high voltage from the Li-ion battery.
Emergency shut-off system	In the case of a collision (front and side collisions in which the air bags are deployed, certain rear collisions) or certain system malfunctions this system may shut off the high voltage from the Li-ion battery.
Charging connector	Some of the high voltage components are activated during charging. Remove the charging connector to deactivate these components.

2-4 Preventing Electrical Shock

1. If it is necessary to touch any of the high voltage harnesses or components, you must wear appropriate PPE ([refer to 3-1 Preparation Items](#)) and shut off the high voltage system by referring to [3-3.1 High Voltage System Shut-Down Procedure](#).
2. To avoid the risk of electrocution, do not touch the inside of the Li-ion battery unless appropriate PPE is worn even after shutting off the high voltage system. The Li-ion battery maintains charge even though the high voltage system is shut down.
3. Cover any damaged high voltage components with insulated tape.



2-5 Emergency Medical Equipment

The high voltage system will not interfere with emergency medical equipment which must be used in or near the vehicle at an accident scene.






3. Emergency Response Steps







DANGER

-  Failure to properly shut down the high voltage electrical system before the Emergency Response Procedures are performed will result in serious injury or death from electrical shock. To prevent serious injury or death, **DO NOT** touch high voltage harnesses or components without wearing appropriate PPE.
-  If it is necessary to touch any of the high voltage harnesses or components you must wear appropriate PPE to avoid electrical shock. Shut down the high voltage system by following the steps outlined in [3-3.1 High Voltage System Shut-Down Procedure](#). Wait at least ten (10) minutes for complete discharge of the high voltage capacitor after the high voltage system has been shut down.

WARNING

-  **NEVER** assume the LEAF is shut OFF simply because it is quiet.
-  If the READY  indicator, charging indicator or air conditioning remote timer indicator are ON the high voltage system is active.
-  If possible, be sure to verify that the READY  indicator on the instrument cluster is OFF and the high voltage system is stopped.
- Some of the under hood parts get hot and may cause serious burns. Use caution when working on or around these parts.

3-1 Preparation Items

Preparation Items	Specification	Purpose
PPE (personal protective equipment): Insulated gloves 	Up to 1,000V	For protection from high voltage electrical shock
Insulated shoes 	-	
Safety shield 	-	
Wrenches 	Size:10mm	To remove the service plug access cover bolts. To remove the 12V battery terminal bolt.
Solvent resistant protection gloves	-	To utilize in the event of a Li-ion battery electrolytic solution leak.
Solvent resistant protection shoes	-	
Absorbent pad	The same pad used for internal combustion engine fluids can be used.	To absorb any Li-ion battery electrolytic solution leakage.
Standard fire fighting equipment	Standard fire fighting equipment Depending on type of fire (vehicle or battery) use standard fire fighting equipment (water or extinguisher).	To extinguish a fire.
Insulated tape	Insulating	To cover any damaged harnesses to protect from and prevent electrical shock. Tape should cover all bare or damaged wire.

3-1.1 PPE (Personal Protective Equipment) Protective Wear Control

Perform an inspection of the PPE items before beginning work. Do not use any damaged PPE items.

3-1.2 Daily Inspection

This inspection is performed before and after use. The responder who will be using the items should perform the inspection and check for deterioration and damage.

- Insulated rubber gloves should be inspected for scratches, holes and tears. (Visual check and air leakage test)
- Insulated safety boots should be inspected for holes, damage, nails, metal pieces, wear or other problems on the soles. (Visual check)
- Insulated rubber sheet should be inspected for tears. (Visual check)

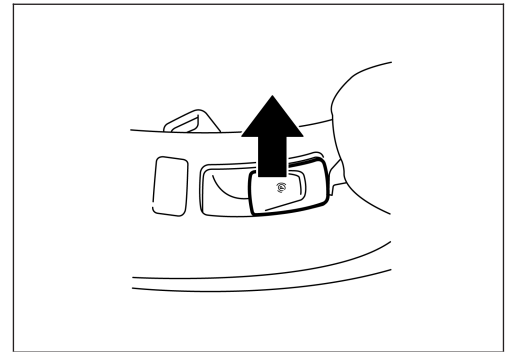
3-1.3 Insulated Tools

When performing work at locations where high voltage is applied (such as terminals), use insulated tools meeting 1,000V/300A specifications.

3-2 Vehicle Immobilization and Stabilization

3-2.1 Setting the Electric Parking Brake

1. Firmly apply the brake pedal.
2. Pull up on the electric parking brake switch.

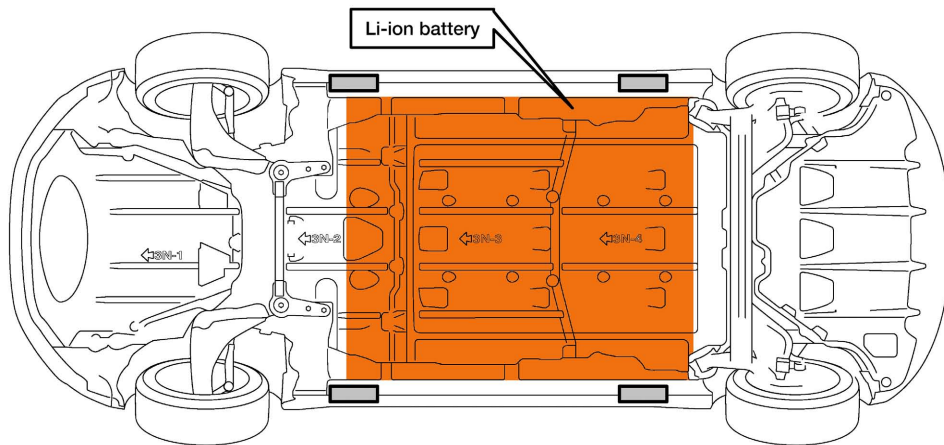
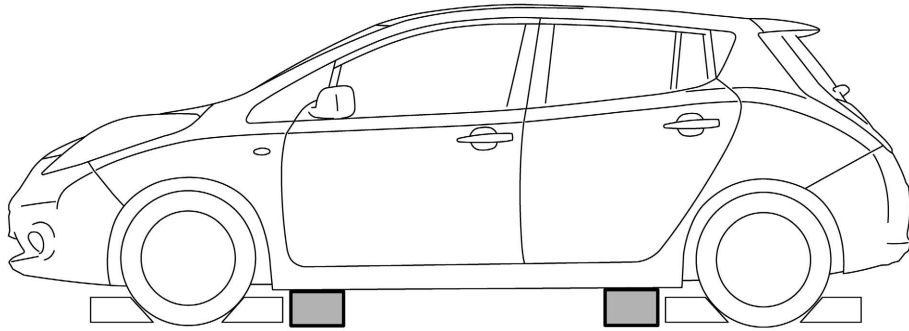


If possible, immobilize the vehicle with the electrically operated parking brake before turning the 12V system OFF and stabilize it with a wheel chock(s). Stabilize the vehicle with cribbing, by removing air from the tires, or utilize the Lift Airbag Equipment for rescue.

⚠ WARNING

- Do not stabilize the vehicle with cribbing under the Li-ion battery.
- To avoid electrical shock, do not put the Lift Airbag Equipment for rescue and wheel chock(s) under the high voltage components and harnesses as shown following.

 =  **⚠ DANGER**





3-3 How to Handle a Damaged Vehicle at an Accident Scene

3-3.1 High Voltage System Shut-Down Procedure





Any of the following procedures can shut down the high voltage system. The first response operation should only begin after shutting down the high voltage system. If the vehicle is heavily damaged, for example the Li-ion battery is deformed, broken or cracked, appropriate PPE must be used and the Li-ion battery and high voltage components must not be touched.



DANGER

-  **Failure to properly shut down the high voltage system before the Emergency Response Procedures are performed will result in serious injury or death from electrical shock. To prevent serious injury or death, DO NOT touch high voltage harnesses or components without wearing appropriate PPE.**
-  **When contact with high voltage components or high voltage harnesses is unavoidable, or when there is risk of such contact, you must wear appropriate PPE.**

⚠ WARNING

-  If the charge connector is connected to the vehicle, remove it. Refer to [Removing the Charge Connector](#).
-  The vehicle contains parts that contain powerful magnets. If a person who is wearing a pacemaker or other medical device is close to these parts, the medical device may be affected by the magnets. Such persons must not perform work on the vehicle.
- Be sure to verify that the READY  indicator is off and the high voltage system is stopped.
- There is a possibility of remaining high voltage in the air conditioning system. If the READY  indicator is turned OFF and the air conditioning remote timer indicator is turned ON the high voltage system is active. Please ensure that the air conditioning remote timer indicator is turned OFF and the air conditioning system is inactive.
- After the high voltage system is shut down, please wait at least ten (10) minutes for complete discharge of the high voltage capacitor. While waiting, do not operate any vehicle functions.

NOTE:

The high voltage full discharge takes ten (10) minutes, but after five (5) minutes the voltage has dropped below 60V.

- After shutting down the high voltage system and removing the 12V battery negative (-) terminal, wait at least three (3) minutes to discharge the air bag capacitor. Even though the 12V battery negative (-) is disconnected, the Supplemental Restraint System (SRS) air bag maintains voltage at least three (3) minutes. During this time, there is a possibility of sudden SRS air bag inflation due to harness short circuit or damage and it may cause serious injuries.
- Always shut down the high voltage system before disconnecting the 12V battery. Not doing so may result in serious injury or death from electrical shock.
- The 12V system will remain active even after the 12V battery negative (-) terminal is removed while the high voltage system is active. The high voltage system is active during any of the following conditions:
 - air conditioning system remote timer indicator is turned ON
 - charging indicator is turned ON
 - READY indicator is turned ON

Refer to [1-1.2 Interior Component Location](#) for location of these indicators. This is because DC/DC converter will not shut down and power will be supplied to the 12V system and high voltage system continuously.

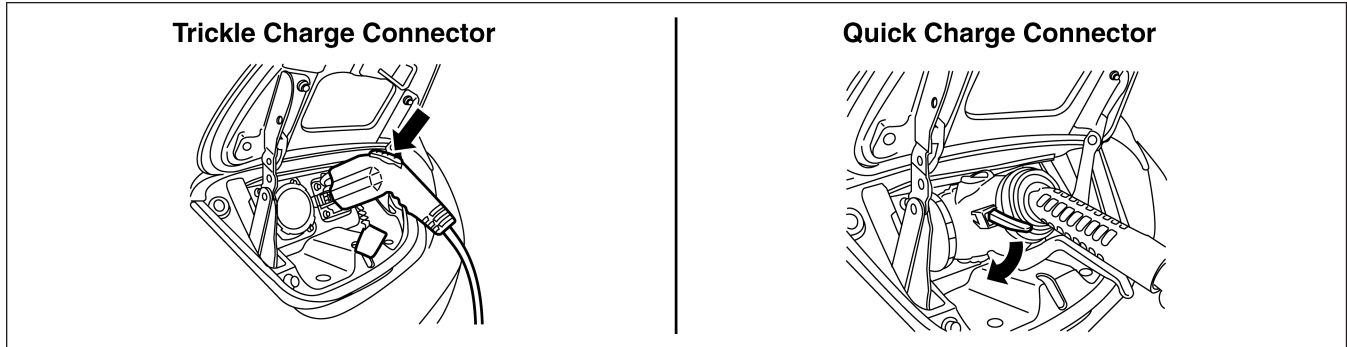
Removing the Charge Connector

1. Press the lock release button/lever on the charge connector.


NOTE:

The quick charge connector is not equipped on all models.

2. Pull the charge connector to remove it.



Indications the High Voltage System is ON

1. If the READY  indicator is ON, the high voltage system is active.
2. If the charge indicator is ON, the high voltage system is active.
3. If the air conditioning remote timer indicator (located on the HVAC controller) is ON, the high voltage system is active.
4. If the remote controlled climate control system is active, push the power switch to the ON position. This will turn OFF the remote controlled climate control system.

NOTE:

Remote controlled climate control system is a feature that allows the vehicle owner to activate the climate control system via telematics communication (cell phone, personal computer, etc.). When this system is active, the air conditioning remote timer indicator (located on the HVAC controller) is illuminated.



Before disconnecting the 12V battery terminal, if necessary, set the parking brake, lower the windows, unlock the doors, and open the rear hatch as required. Once 12V battery is disconnected, power controls will not operate.

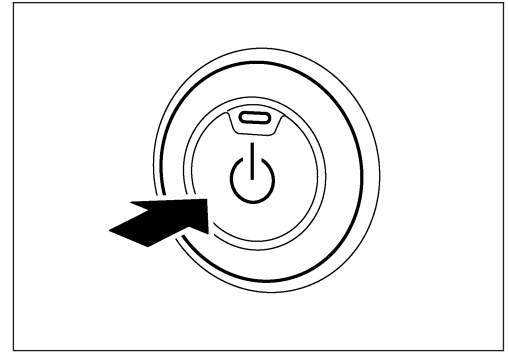
Powering Down the High Voltage System

The high voltage system can be shut down with any 1 of the following procedures:

- Turn OFF the power switch and disconnect the 12V battery. Refer to [Primary Procedure](#).
- Remove the fuses for the high voltage control system and disconnect the 12V battery. Refer to [Alternate Procedure 1](#).
- Remove the service plug and disconnect the 12V battery. Refer to [Alternate Procedure 2](#).

Primary Procedure

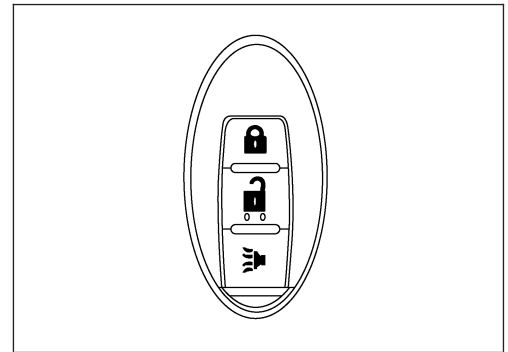
1. Check the READY  indicator status. If it is ON, the high voltage system is active.
2. Place the selector lever in the Park (P) position.
3. Press the power switch once to turn OFF the high voltage system. Then verify whether the READY  indicator is OFF.



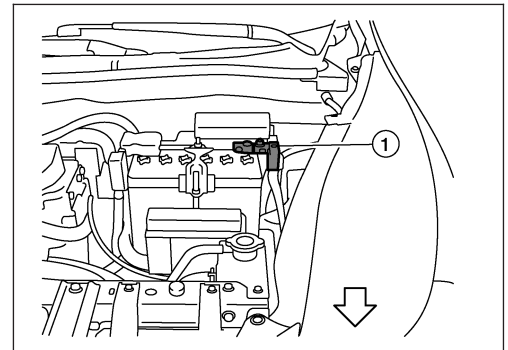
4. If possible, keep the Nissan Intelligent Key™ at least 5 meters (16 feet) away from the vehicle.

NOTE:

This step is not necessary if the 12V system is already disabled.



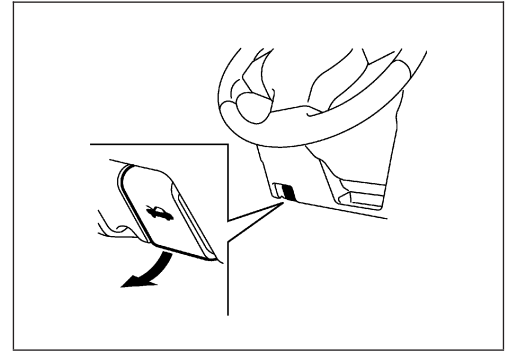
5. Disconnect the negative (-) 12V battery cable (1). Insulate the negative (-) battery cable terminal with insulated tape.



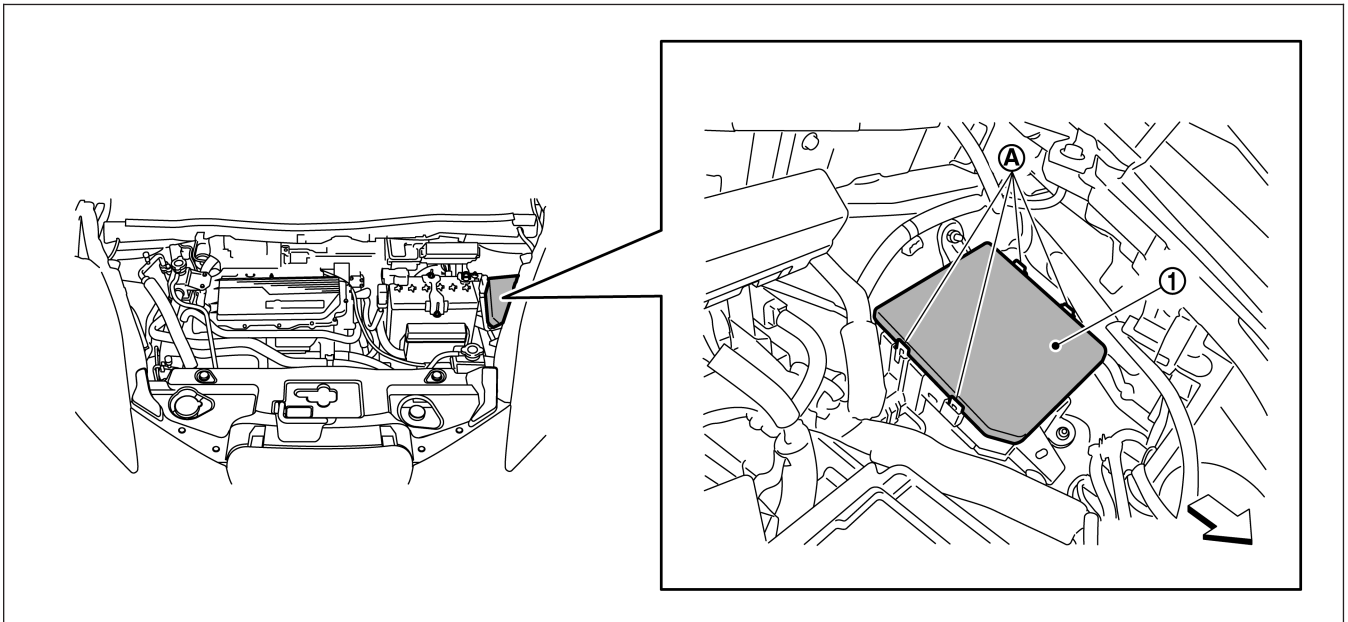
6. Wait at least ten (10) minutes for complete discharge of the high voltage capacitor after the power switch has been turned OFF.
7. Perform the first response action.

Alternate Procedure 1

1. Open the hood.



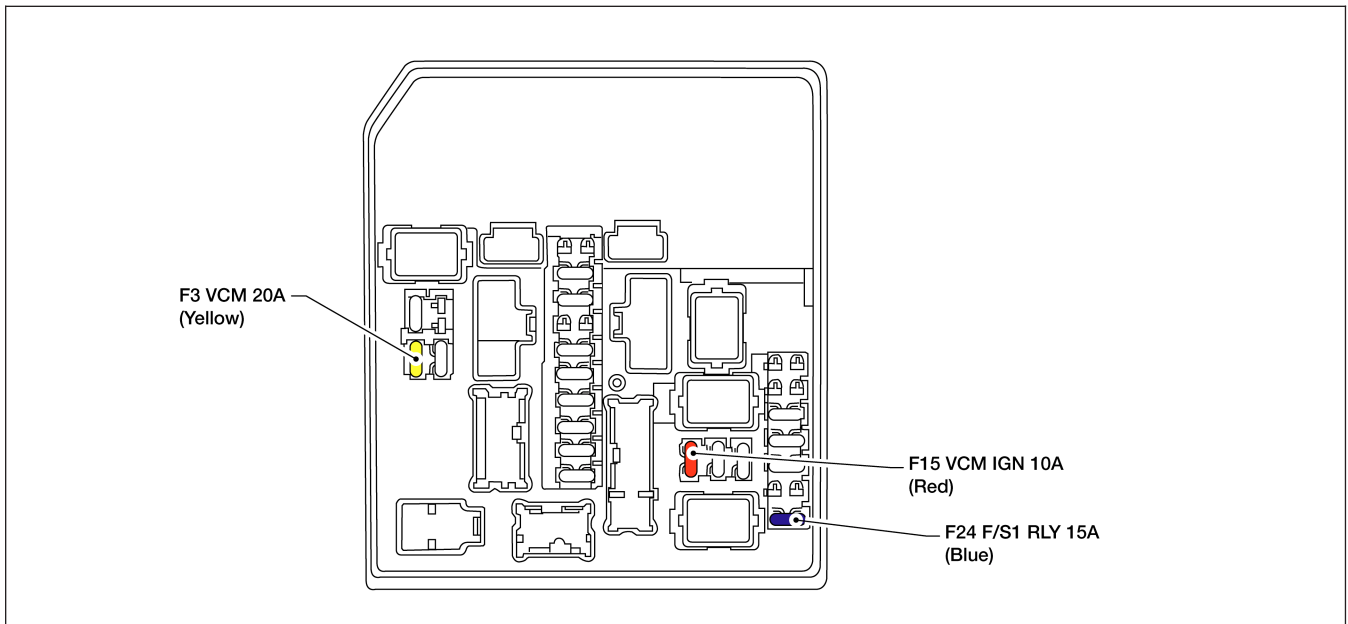
2. Press and expand the pawls (A) on the sides of the fuse box and remove the fuse box (1) from its housing.



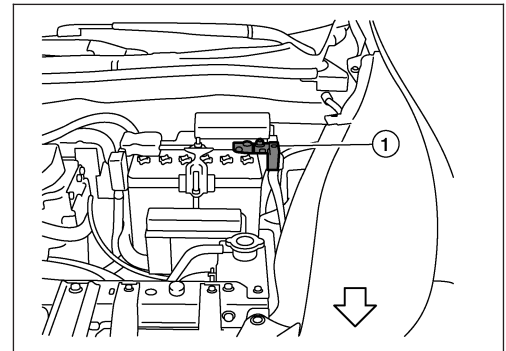
NOTE:

There is no separate fuse box cover. The bottom of the fuse box is also its cover.

3. Remove the following fuses:
 - a. VCM IGN fuse (F15 VCM IGN 10A)
 - b. F/S1 RLY Fuse (F24 F/S1 RLY 15A)
 - c. VCM Fuse (F3 VCM 20A)



4. If you cannot identify the above fuses, remove all fuses in the fuse box.
5. Disconnect the negative (-) 12V battery cable (1). Insulate the negative (-) battery cable terminal with insulated tape.



6. Wait at least ten (10) minutes for complete discharge of the high voltage capacitor after the fuses are pulled.
7. Perform the first response action.

⚠ WARNING





To avoid unintended installation and risk of electrical shock and severe personal injury or death, the rescuer should carry the fuses on his/her person and cover the fuse box with insulated tape.

Alternate Procedure 2



DANGER

-  Do not remove the service plug without wearing appropriate PPE to help protect the responder from serious injury or death by electrical shock.
-  Immediately cover the service plug socket with insulated tape. The Li-ion battery retains high voltage power even when the service plug is removed. To avoid electric shock, DO NOT touch the terminals inside the socket.

WARNING

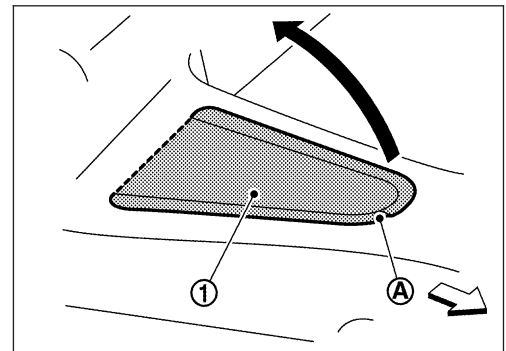


To avoid unintended installation and risk of electrical shock and severe personal injury or death, the rescuer should carry the service plug on his/her person while work is in progress.

1. Locate the carpet flap (1) behind the center console on the floor raised area. At the notched area (A) pull up on the carpet flap (1).

NOTE:

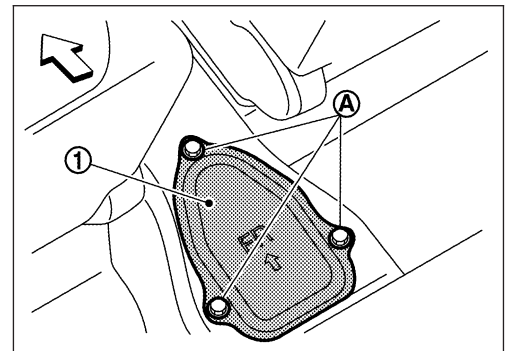
Arrow in illustration depicts vehicle front direction.



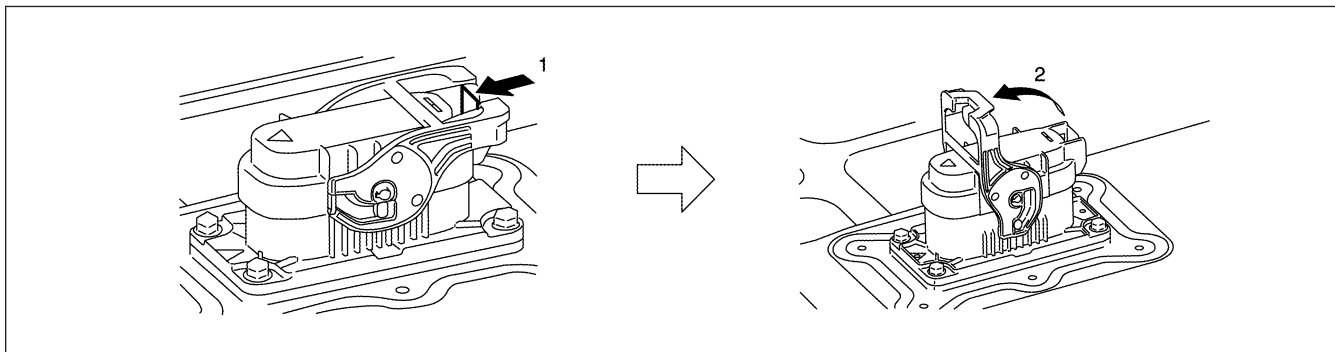
2. Remove the 10mm access cover bolts (A) and remove the cover (1).

NOTE:

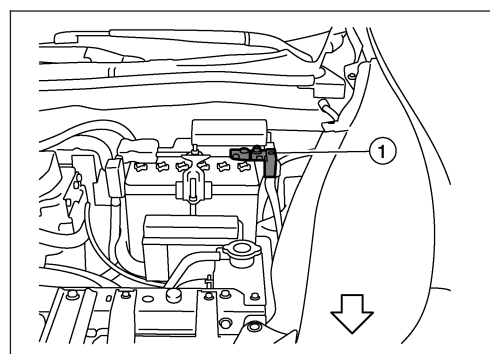
Arrow in illustration depicts vehicle front direction.



- Remove the service plug by pressing the locking tab (1) and rotating the handle (2) upward. Using the handle, pull the service plug completely out of its socket.



- Wait at least ten (10) minutes for complete discharge of the high voltage capacitor after the service plug has been removed.
- Open the hood.
- Disconnect the negative (-) 12V battery cable (1). Insulate the negative (-) battery cable terminal with insulated tape.



- Perform the first response action.

NOTE:

If any air bags have deployed in the following 3 situations, the high-voltage (HV) system has been automatically shut off at the time of deployment.

The Nissan LEAF high-voltage system incorporates capacitors which are energized whenever the high-voltage system is on. If the high-voltage system is shut down (either through one of the built-in automatic mechanisms or manually through one of the procedures explained in this FRG), the capacitors will begin to gradually discharge. After 5 minutes, the voltage level will have dropped below 60V, and complete discharge requires approximately 10 minutes after high-voltage system shut down. It is within this period of time that responders must be most cautious.

When arriving to an incident involving a Nissan LEAF, the vehicle should be approached with caution and inspected for the level of damage. In addition to overall vehicle condition (location and severity of body damage, air bag deployment, etc.), the high-voltage system should be assessed specifically. The locations of the high-voltage component parts are illustrated in this FRG. Refer to [2-1 High Voltage-Related and 12V-Related Component Locations and Descriptions](#). Appropriate personal protective equipment (PPE) must always be worn when approaching a vehicle of unknown condition, as described in this FRG.

Situation 1) High voltage system intact, occupants can be accessed without extrication tools

The HV system can be shut down by following the procedure in this guide, while wearing appropriate PPE. After HV system shut down, occupant assistance can begin immediately, and no wait period is necessary.

Situation 2) High voltage system intact, occupants cannot be accessed without extrication tools

The HV system can be shut down by following the procedure in this guide, while wearing appropriate PPE. After HV system shut down, absolute care must be taken not to cut through or damage any HV system

wiring or components within ten (10) minutes of HV system shut down, but occupant assistance operations using extrication equipment can begin immediately. The locations of the HV components are illustrated in this guide.

Situation 3) High-voltage (HV) system damaged

If there is any evidence that the HV system has been compromised (such as arcing/sparking, orange wiring harnesses cut or damaged, HV component casings damaged, etc.), the responder may still be at risk of high voltage exposure. The vehicle must be approached with extreme caution prior to initiating any system shut down procedures or rendering assistance to occupants. Appropriate PPE must be worn as described in this guide, and the ten (10) minute wait time must be observed after HV system shut down in order to ensure the system is de-energized.

In rare situations where vehicle damage is very severe, HV system shut down procedures as described in this guide may not work. In these instances extreme caution and appropriate risk management must be followed to prevent shock or electrocution to the responder or occupant.

3-3.2 Water Submersion






⚠ DANGER



Damage level of submerged vehicle may not be apparent. Handling a submerged vehicle without appropriate PPE will result in serious injury or death from electrical shock.

⚠ WARNING

-  **The power switch of the submerged vehicle must be turned OFF first, if possible. Then the vehicle must be completely out of the water and drained to avoid electrical shock.**
-  **Wear appropriate PPE and remove/drain water before removing the service plug when working on a vehicle after a fire or submersion to avoid electrical shock.**
-  **If the vehicle is in the water, to avoid electrical shock do not touch the high voltage components, harnesses or service plug.**

3-3.3 Vehicle Fire

⚠ WARNING

- Always utilize full PPE and self-contained breathing apparatus during fire fighting operations. Smoke from a LEAF vehicle fire is similar to smoke from a conventional vehicle fire.
- In the case of extinguishing a fire with water, large amounts of water from a fire hydrant (if possible) must be used. DO NOT extinguish fire with a small amount of water.

⚠ CAUTION

In the event of a small fire, a Type ABC fire extinguisher may be used for an electrical fire caused by wiring harnesses, electrical components, etc. or oil fire.




Fire attack should follow standard fire fighting practices.

If you must walk away from the vehicle, notify an appropriate responder or a rescue person of the fact that the vehicle is an electric car and contains a high voltage system and warn all others.


During overhaul operations (late stage fire suppression process to examine for remaining sources of heat), make sure the battery is fully cooled to avoid fire re-ignition. The battery could reignite if it is placed near fire. To avoid possible electrical shock and serious personal injury, do not breach the Li-ion battery case.

3-3.4 Cutting the Vehicle Body

⚠ DANGER

-  Do not cut into high voltage related areas to avoid severe personal injury or death.
-  Do not cut into the Li-ion battery to avoid severe personal injury or death.
-  When removing parts, DO NOT touch the high voltage parts or the insides of the exposed orange-colored high voltage cables to avoid severe personal injury or death.

⚠ WARNING

-  Use the appropriate tools (for example, hydraulic cutter) when cutting the vehicle to help protect the first responder to avoid severe personal injury or death.
- Do not cut air bag parts to avoid unintended deployment of the air bags and the risk of severe personal injury or death.

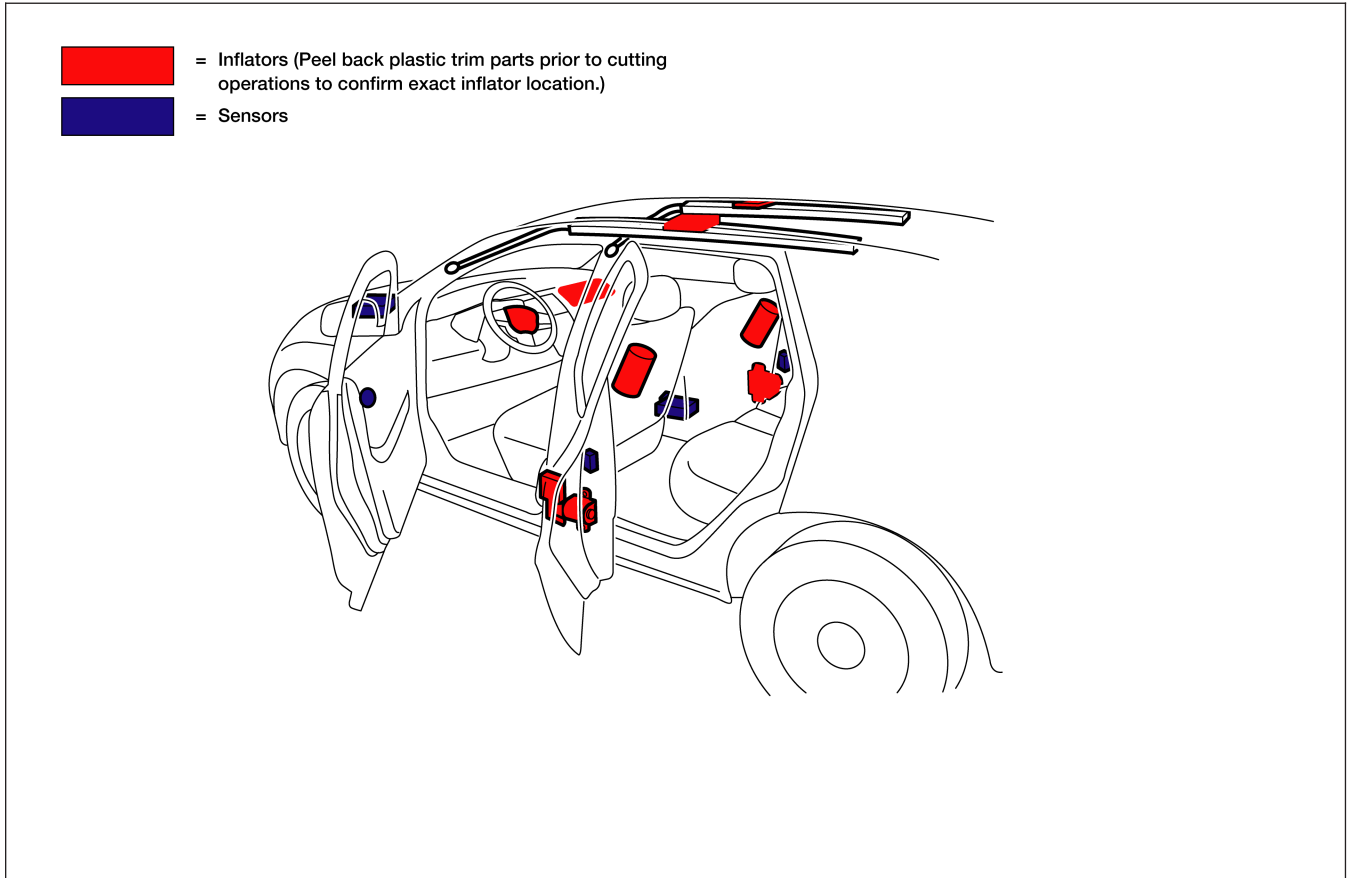
If at least ten (10) minutes have passed since the rescuer shut down the high voltage system (refer to [3-3.1 High Voltage System Shut-Down Procedure](#)), then the rescuer can cut the vehicle except for the Li-ion battery.

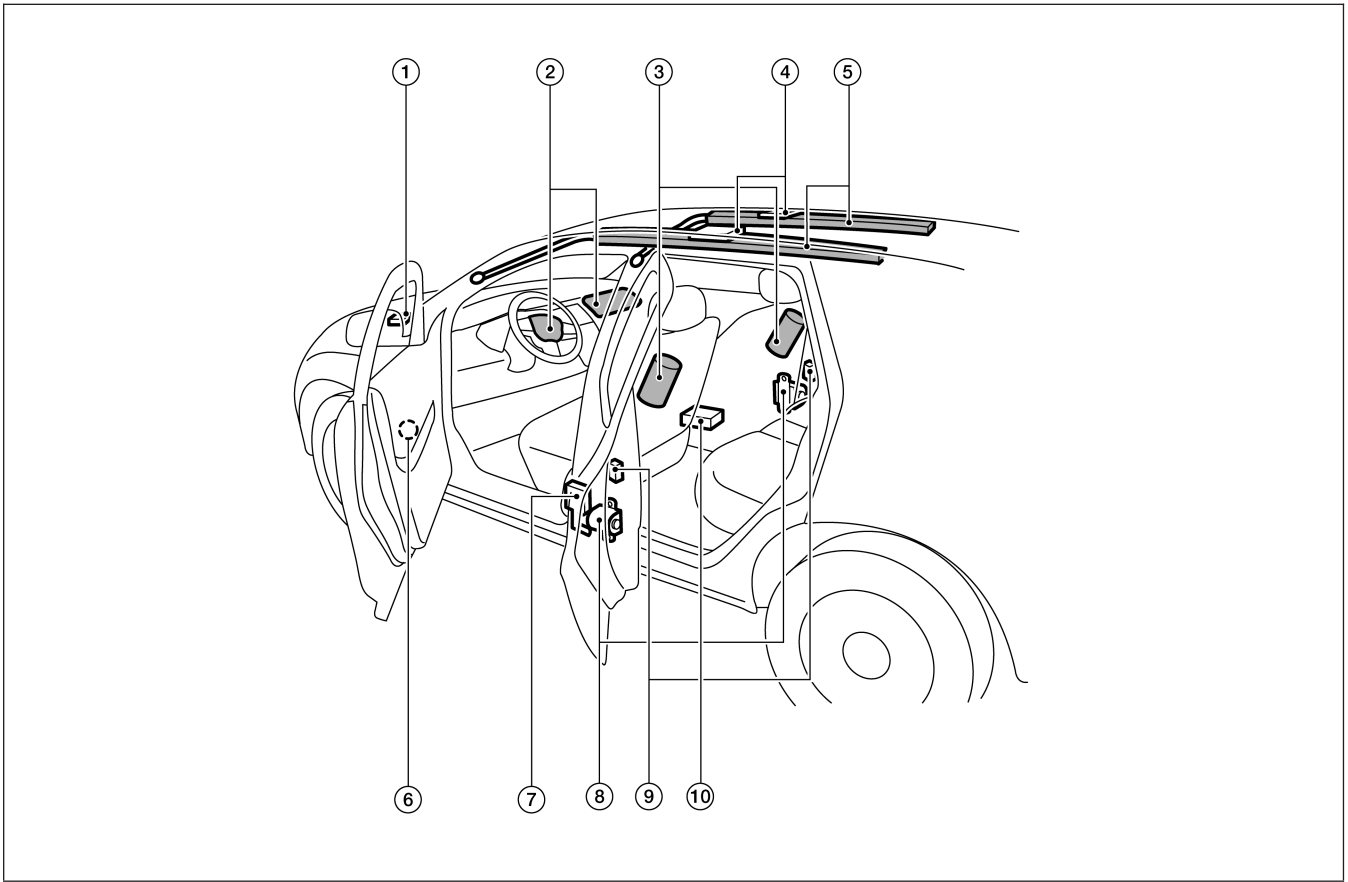
If the rescuer cannot wait the full ten (10) minutes or shut down the high voltage system, absolute care must be taken to avoid cutting HV parts and appropriate PPE must be worn. DO NOT cut the Li-ion battery due to possible electrocution risk and electrolyte solution leakage.

SRS Air Bag System Components Location

Avoid cutting air bag system parts. However, the vehicle can be cut (except inflators) under the following conditions:

- The front, side and curtain air bags have deployed.
- At least three (3) minutes have passed after the 12V battery negative (-) cable has been disconnected and the high voltage system has been shut down.





1. Crash zone sensor

4. Roof-mounted curtain side-impact supplemental air bag inflators

7. Lap outer pretensioner (driver side only)

10. Air bag control unit (ACU)

2. Supplemental front-impact air bag modules

5. Roof-mounted curtain side-impact supplemental air bag modules

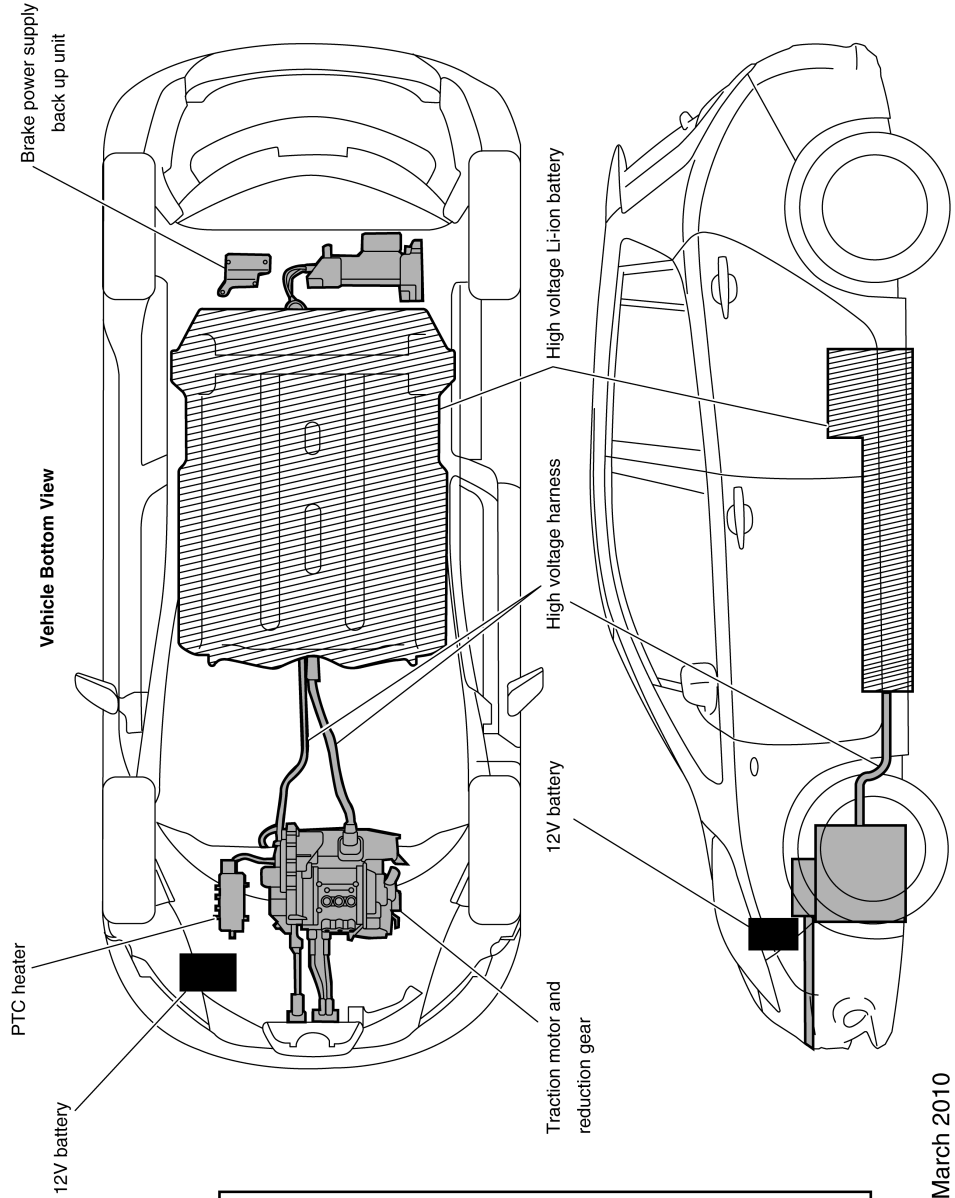
8. Seat belt with pretensioner

3. Front seat-mounted side-impact supplemental air bag modules

6. Front door satellite sensors

9. Rear satellite sensors (located in lower B-pillar)

Emergency Contact:
Nissan EV Customer Support: 1-877-664-2738
(Monday-Friday 7am-7pm, Saturday 8am-4:30pm Central Time) or
Nissan Consumer Affairs: 1-800-647-7261 (US) or
1-800-387-0122 (Canada) (Monday-Friday 8am-5pm Eastern, Central and Pacific Time Zones)

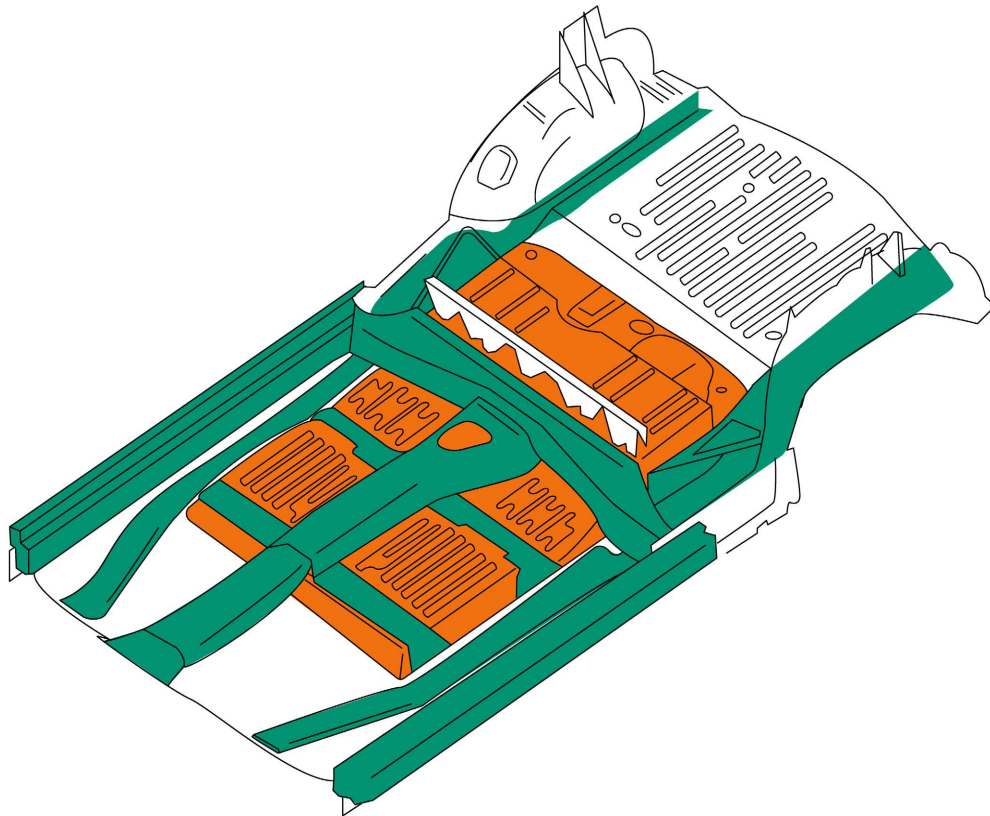
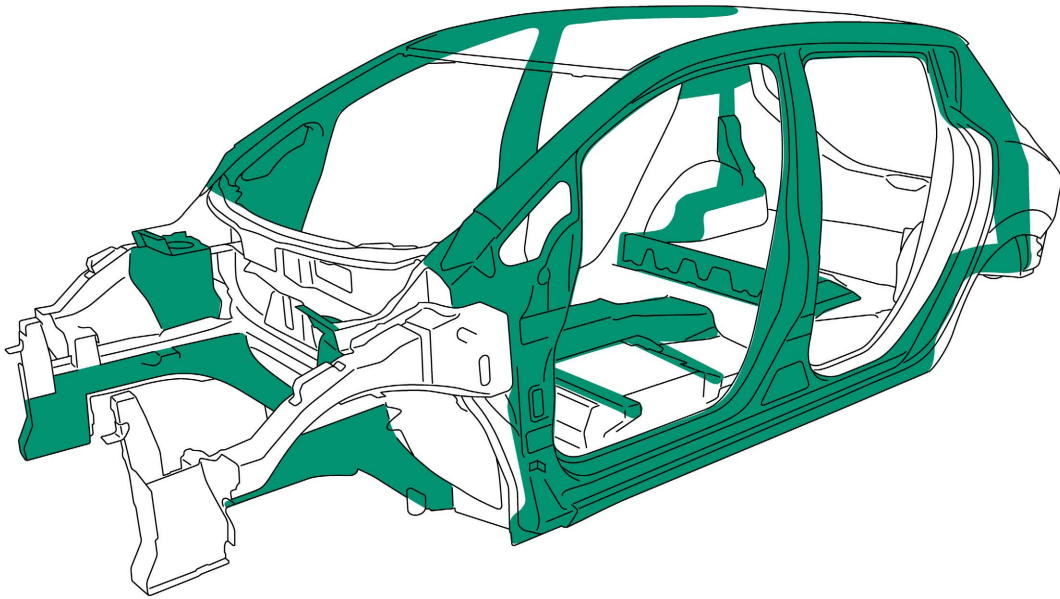


Key

■	High voltage component or harness (Can be cut only after the high voltage system shut-down procedure has been completed.)
▨	NEVER CUT- Li-ion battery
■	12V Battery
⚠	DANGER Never cut electrical components/batteries for any reason. Death or serious personal injury will result.

High Strength Steel Locations

-  = High strength steel
-  =  **DANGER**



3-3.5 Li-ion Battery Damage and Fluid Leaks

If electrolyte solution leakage, or damage such as any problem with the Li-ion battery casing are observed, first responders should attempt to neutralize the battery by applying a large volume of water to the battery pack while wearing appropriate PPE. The neutralization process helps stabilize the thermal condition of the battery pack but does not discharge the battery.

Li-ion Battery Electrolyte Solution Characteristics:

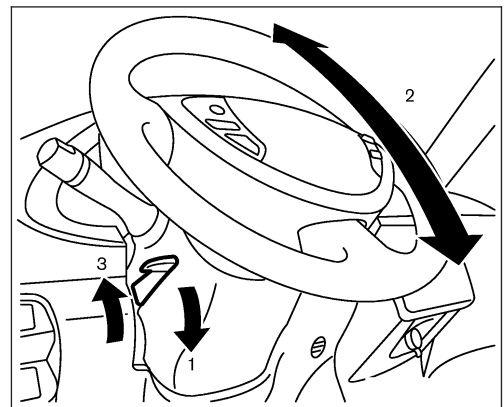
- Clear in color
- Sweet odor
- Similar viscosity to water
- Skin irritant
- Eye irritant – If contact with eyes, rinse with plenty of water and see a doctor immediately.
- If electrolyte leak occurs, wear appropriate solvent resistant PPE and use a dry cloth to clean up the spilled electrolyte. Be sure to adequately ventilate the area.
- Highly flammable
- Electrolyte liquid or fumes that have come into contact with water vapors in the air will create an oxidized substance. This substance may irritate skin and eyes. In these cases, rinse with plenty of water and see a doctor immediately.
- Electrolyte fumes (when inhaled) can cause respiratory irritation and acute intoxication. Move to fresh air and wash mouth with water. See a doctor immediately.
- Since the Li-ion battery is made up of many small sealed battery modules, electrolyte solution leakage should be minimal.

NOTE:

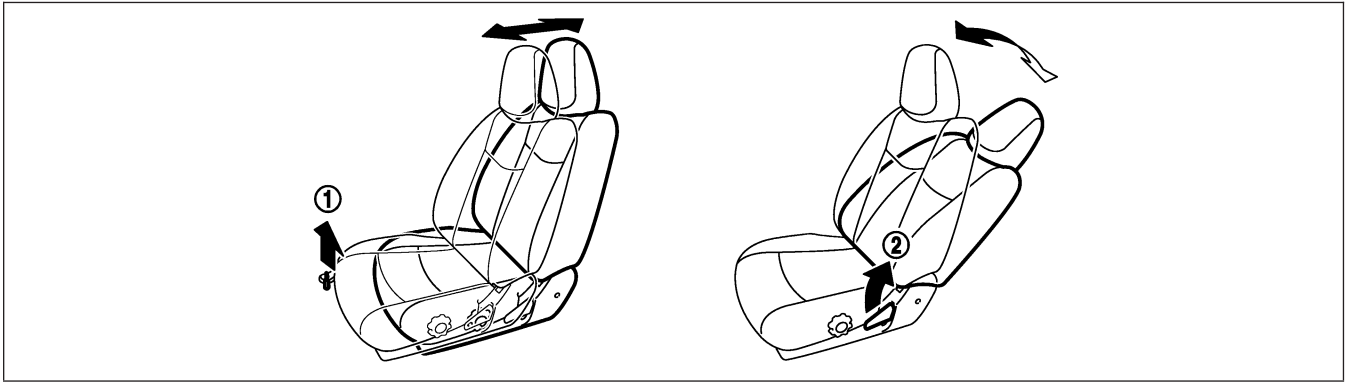
Other fluids in the vehicle (such as washer fluid, brake fluid, coolant, etc.) are the same as those in a conventional internal combustion vehicle.

3-3.6 Accessing the Occupants

1. Remove windows
 - a. Perform window removal the same as a normal vehicle.
2. Remove doors
 - a. The doors are removable with hand tools or basic rescue tools such as electrical/hydraulic rescue tools. It may be easier to remove the doors by cutting door hinges.
3. Adjust steering wheel and front seat position (if necessary)
 - a. Steering wheel can be adjusted up/down by pushing the lock lever down (1), moving the steering wheel (2) and pulling the lock lever up (3) to lock the steering wheel in place.

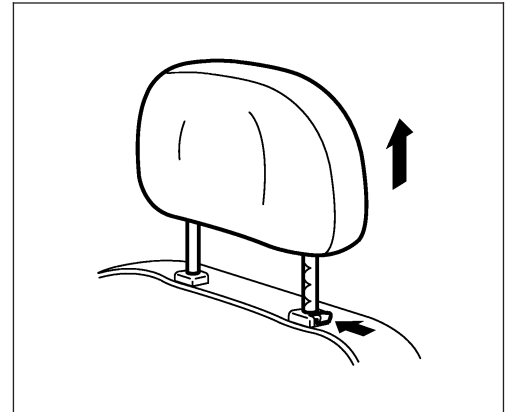


- b. Front seat can be adjusted forward/backward manually by pulling up and holding lever (1) and tilted forward/backward manually by pulling up and holding lever (2).



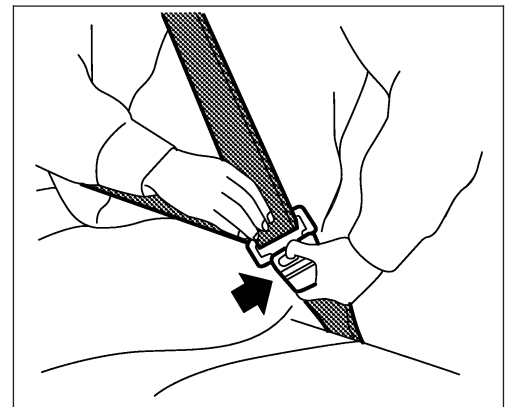
4. Remove front seat head restraint (if necessary).

The front seat head restraint can be removed by pressing the lock knob and pulling it up.



5. Unfasten the seat belt.

Seat belt can be unfastened by pressing the release button. If seat belt cannot be unfastened, cut it with a belt cutter.



4. Emergency Quick Reference Guide

The following is for emergency quick reference only. It does not replace the detailed safety information and procedures in this manual.

2011 NISSAN LEAF™

Emergency Responder's Quick Reference Guide

The following is for emergency quick reference only. It does not replace the detailed safety information and procedures in the First Responder's Guide (FRG).

VEHICLE IDENTIFICATION



**WARNING / AVERTISSEMENT
ACHTUNG / ADVERTENCIA / AVISO**

HIGH VOLTAGE INSIDE
• DO NOT remove these covers and/or connectors.

HOCHSPANNUNGSFÜHRENDE TEILE IM INNEREN
• Diese Abdeckungen bzw. Stecker nicht entfernen.

HAUTE TENSION À L'INTÉRIEUR
• NE PAS enlever ces couvercles et connecteurs.

Alta Voltagem no Interior
• Nunca remova esta cobertura e/ou conector.

Alto voltaje en el Interior
• Nunca remueva esta tapa y/o conector.



Zero Emission



NO TAIL PIPE

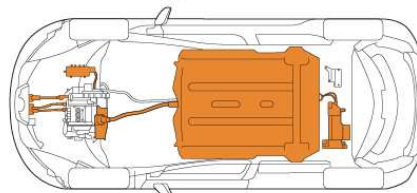
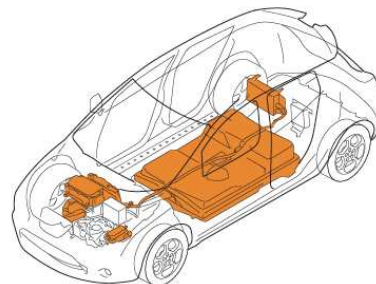
WARNING AND INDICATOR LAMPS

LAMP NAME	ICON	DESCRIPTION
READY Indicator		This lamp is on when the EV system is powered up and the vehicle is ready to drive.
EV System Warning Lamp*1		This lamp is on when: <ul style="list-style-type: none"> • Malfunction has occurred in the EV system and/or • Emergency shut-off system has been activated. The shut-off system activates in the following conditions: <ul style="list-style-type: none"> ◦ Front and side collisions in which the air bags are deployed. ◦ Certain rear collisions. ◦ Certain EV system malfunctions.
Master Warning Lamp (RED)		This lamp is on when another red warning lamp is displayed in the instrument cluster or a warning is displayed on the dot matrix LCD.
Master Warning Lamp (YELLOW)		This lamp is on when: <ul style="list-style-type: none"> • Li-ion battery is getting low on charge. • Another yellow warning lamp is displayed in the instrument cluster or a message is displayed on the dot matrix LCD.

*1: When this lamp is ON, the READY lamp will turn OFF.

HIGH VOLTAGE (HV) PARTS LOCATIONS

= **DANGER**



DO NOT Cut HV Parts!

2011 NISSAN LEAF™

Emergency Responder's Quick Reference Guide

The following is for emergency quick reference only. It does not replace the detailed safety information and procedures in the First Responder's Guide (FRG).

VEHICLE SHUT-DOWN

Appropriate PPE must be worn during these procedures!

PRIMARY PROCEDURE

1. Turn Power Switch OFF



2. Verify READY indicator is OFF.



3. If possible, keep the Intelligent Key™ at least 5 meters (16 feet) away.

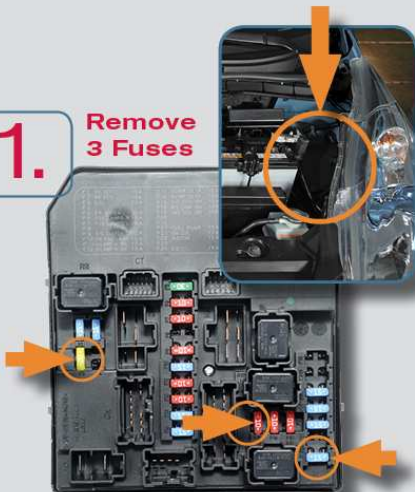


4. Remove Negative Battery Cable



ALTERNATE PROCEDURE 1.

1. Remove 3 Fuses



Release four tabs to remove fuse panel.

2. Remove Negative Battery Cable



Q2

Emergency Responder's Quick Reference Guide

The following is for emergency quick reference only. It does not replace the detailed safety information and procedures in the First Responder's Guide (FRG).

ALTERNATE PROCEDURE 2.

1.

Remove Service Plug



Located under carpet flap behind center console.

- 1 Release lever locking tab
- 2 Rotate green lever up.
- 3 Pull to remove.

- 4 Wait 10 minutes for the HV system to fully discharge. If unable to wait full 10 minutes, absolute care must be taken and full PPE must be worn.

2.

Remove Negative Battery Cable



HIGH VOLTAGE SYSTEM SHUT DOWN AND VEHICLE DAMAGE LEVEL CONSIDERATIONS

Note: If any air bags have deployed in the following 3 situations, the high-voltage (HV) system has been automatically shut off at the time of deployment.

1) High-voltage (HV) system intact, occupants can be accessed without extrication tools

The HV system can be shut down by following the procedure in this QRG, while wearing appropriate PPE. After HV system shut down, occupant assistance operations can begin immediately, and no wait period is necessary.

(2) High-voltage (HV) system intact, occupants cannot be accessed without extrication tools

The HV system can be shut down by following the procedure in this QRG, while wearing appropriate PPE. After HV system shut down, absolute care must be taken not to cut through or damage any HV system wiring or components within 10 minutes of HV system shut down, but occupant assistance operations using extrication equipment can begin immediately. The locations of the HV component parts are illustrated in this QRG.

(3) High-voltage (HV) system damaged

If there is any evidence that the HV system has been compromised (such as arcing/sparking, orange wiring harnesses cut or damaged, HV component casings damaged, etc.), the responder may still be at risk of high voltage exposure. The vehicle must be approached with extreme caution prior to initiating any system shut down procedures or rendering assistance to occupants. Appropriate PPE must be worn as described in the FRG, and the 10 minute wait time must be observed after HV system shut down in order to ensure the system is de-energized.

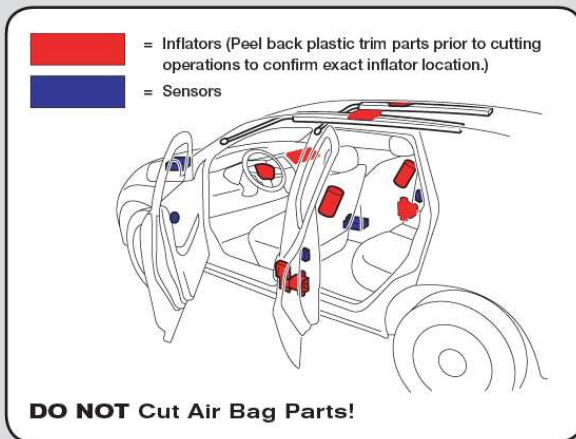
In rare situations where vehicle damage is very severe, HV system shut down procedures as described in the FRG or this QRG may not work. In these instances extreme caution and appropriate risk management must be followed to prevent shock or electrocution to the responder or occupant.

Emergency Responder's Quick Reference Guide

The following is for emergency quick reference only. It does not replace the detailed safety information and procedures in the First Responder's Guide (FRG).

VEHICLE IDENTIFICATION

SRS AIR BAG SYSTEM PARTS LOCATIONS



VEHICLE FIRE

- Use standard firefighting equipment.
- Use large amounts of water. Small amounts create toxic gas.
- Be sure Li-ion battery is completely extinguished and cooled to avoid reignition.

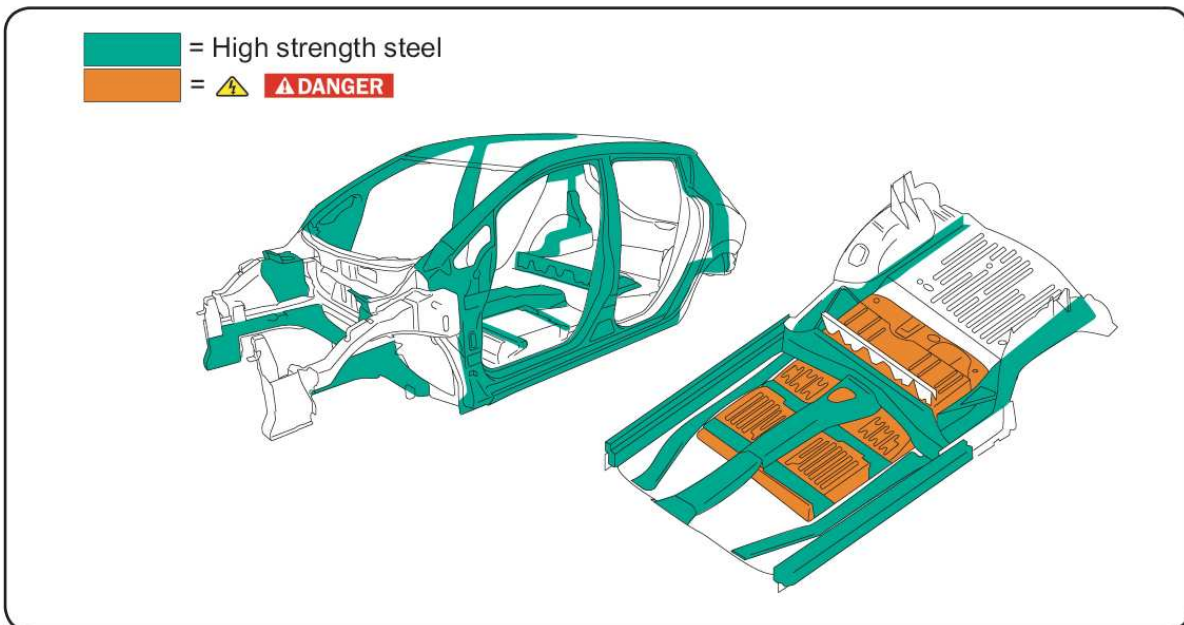
VEHICLE SUBMERSION

- Wear appropriate PPE before entering water.
- Vehicle must be removed from water and drained before touching any HV parts.

LI-ION BATTERY ELECTROLYTE CHARACTERISTICS

- Clear in color.
- Sweet odor.
- Similar viscosity to water.
- Highly flammable.
- Skin and eye irritant – rinse with plenty of water and see a doctor immediately.
- Wear appropriate PPE around electrolyte leakage.

HIGH STRENGTH STEEL LOCATIONS





Zero Emission

© 2012 NISSAN NORTH AMERICA, INC.

All rights reserved.

This document may not be altered without the written permission of NISSAN NORTH AMERICA, INC.

Pub. No. FR1E-1ZE0U1