

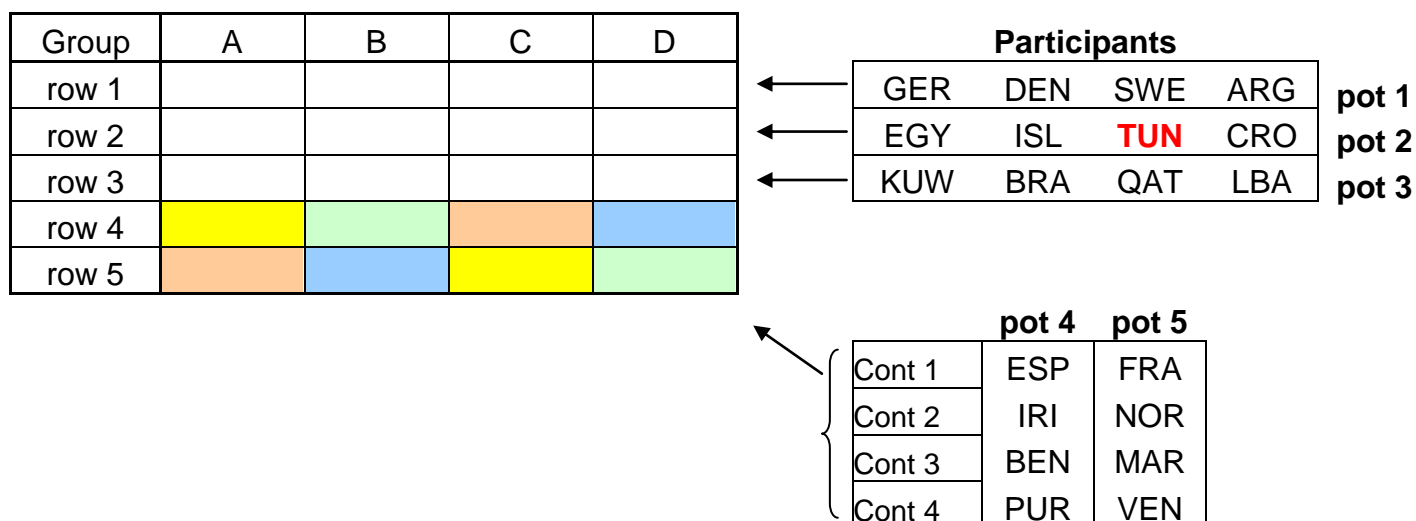
2009 Men's Youth World Championship in TUN (20.07. – 31.07.2009)

Field of participants

1	 GER	 DEN	 SWE	 ARG
2	 EGY	 ISL	 TUN	 CRO
3	 KUW	 BRA	 QAT	 LBA
4,5	 BEN	 PUR	 ESP	 NOR
	 FRA	 VEN	 MAR	 IRI

Draw procedure

1. Teams in pot 4 are drawn to groups A – D in row 4; according to the result of draw the teams in pot 5 are assigned to the corresponding groups in row 5.
2. Teams in pot 3 are drawn to groups A – D in row 3.
3. Teams in pot 1 are drawn to groups A – D in row 1.
4. Organiser **TUN** has the prerogative to assign itself to a group of its choice.
5. Remaining teams in pot 2 are drawn to groups A – D in row 2.



Draw of rows 4 and 5 (continent places)

2 teams of one continent shall not meet at this level within the preliminary round and the main round. 4 continent pots have been built. Each continent has a place in row 4 and a place in row 5 according to the continental ranking. Only teams of row 4 are drawn, the places of the teams of row 5 result automatically.

The related positions are: A4-C5, B4-D5, C4-A5, D4-B5