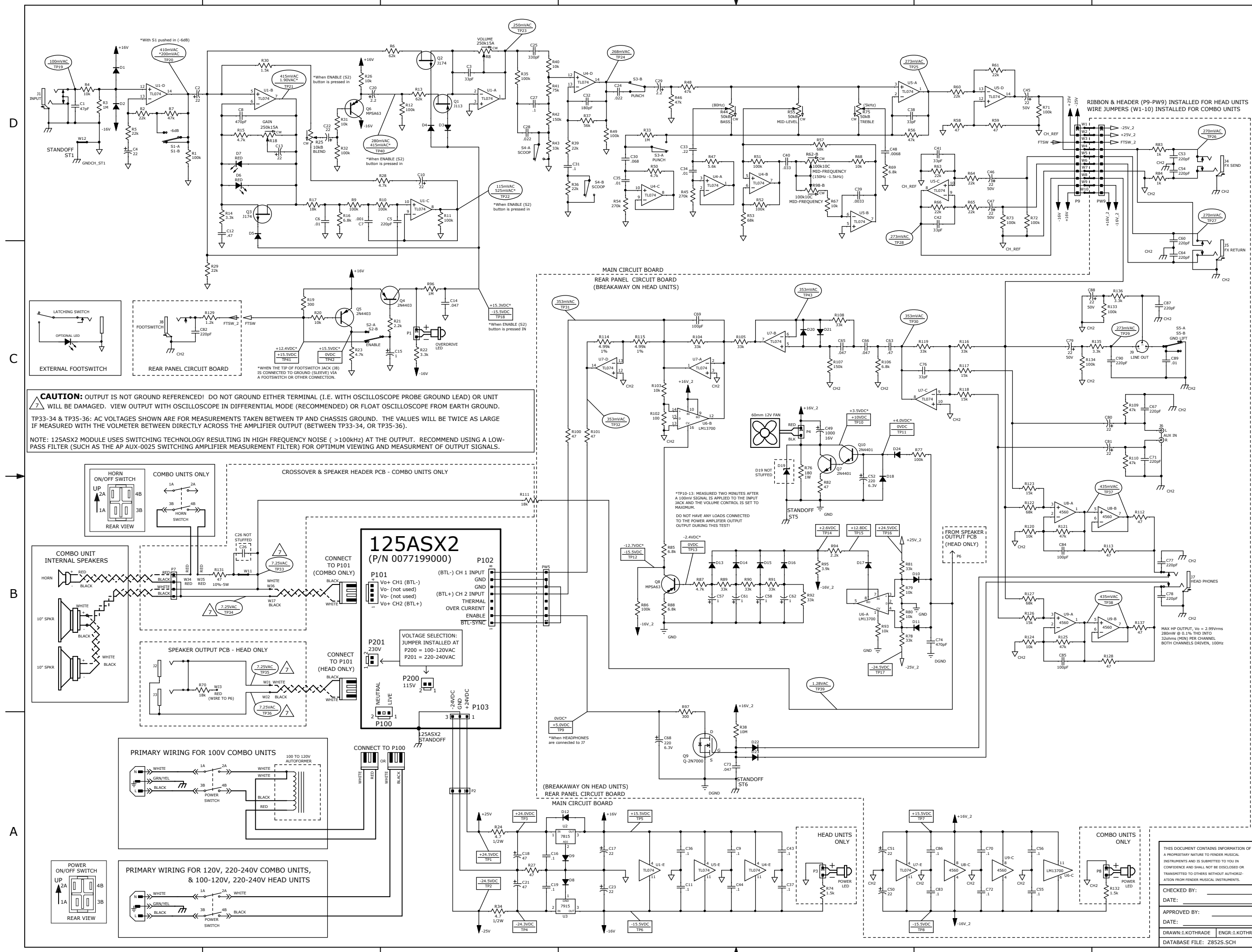


REVISIONS			
REV.	DESCRIPTION	DATE	APPROVED
A	PR852	24-NOV-09	IDK
B	EC 4357	30-MAY-10	IDK



**CAUTION:** OUTPUT IS NOT GROUND REFERENCED! DO NOT GROUND EITHER TERMINAL (I.E. WITH OSCILLOSCOPE PROBE GROUND LEAD) OR UNIT WILL BE DAMAGED. VIEW OUTPUT WITH OSCILLOSCOPE IN DIFFERENTIAL MODE (RECOMMENDED) OR FLOAT OSCILLOSCOPE FROM EARTH GROUND. TP33-34 & TP35-36: AC VOLTAGES SHOWN ARE FOR MEASUREMENTS TAKEN BETWEEN TP AND CHASSIS GROUND. THE VALUES WILL BE TWICE AS LARGE IF MEASURED WITH THE VOLTMETER BETWEEN DIRECTLY ACROSS THE AMPLIFIER OUTPUT (BETWEEN TP33-34, OR TP35-36).

NOTE: 125ASX2 MODULE USES SWITCHING TECHNOLOGY RESULTING IN HIGH FREQUENCY NOISE (>100kHz) AT THE OUTPUT. RECOMMEND USING A LOW-PASS FILTER (SUCH AS THE AP AUX-0025 SWITCHING AMPLIFIER MEASUREMENT FILTER) FOR OPTIMUM VIEWING AND MEASUREMENT OF OUTPUT SIGNALS.

**OUTPUT POWER TEST:**

RESISTIVE LOAD CONNECTED AT W36-W37 (COMBO) OR J2/J3 (HEAD)  
 RATED LINE VOLTAGE SUPPLIED TO UNIT  
 SINEWAVE INPUT SIGNAL APPLIED TO AUX-IN JACK (36)  
 OUTPUT VOLTAGE MEASURED WITH A DVM ACROSS RESISTIVE LOAD  
 OSCILLOSCOPE PROBE MAY BE CONNECTED EITHER SIDE OF LOAD, BUT DO NOT GROUND EITHER (+ OR -) CONNECTION TO THE LOAD! UNDER THESE CONDITIONS, ADJUST INPUT TO VERIFY THE FOLLOWING:

LOAD	FREQ = 100Hz	FREQ = 1kHz
8 OHM	221W (42.0Vrms)	222W (42.2Vrms)
(ONSET OF LIMITER)	< 0.1% THD	< 0.1% THD
4 OHM	400W (40.0Vrms)	400W (40.0Vrms)
(ONSET OF LIMITER)	< 0.1% THD	< 0.1% THD

6. AC AND DC VOLTAGES ARE READ WITH RESPECT TO GROUND WITH A DVM UNDER THE FOLLOWING CONDITIONS:  
 ALL CONTROLS AT 50% ROTATION (12-00).  
 ALL PUSH-BUTTONS IN THE OFF POSITION.  
 ALL PCBs INTERCONNECTED AND INSTALLED IN CHASSIS ALONG WITH ICEPOWER 125ASX2 MODULE.  
 UNIT AT RATED LINE VOLTAGE.  
 NO SPEAKER LOAD CONNECTED.
- TP1-8 ARE MEASURED WITH NO INPUT SIGNAL.  
 DC VOLTAGES MAY VARY BY +/-10%.
- TP19-40 ARE MEASURED WITH THE FOLLOWING SIGNAL:  
 100mVrms, 100Hz, SINE WAVE APPLIED TO INPUT JACK.  
 AC VOLTAGES MAY VARY BY +/-20%.
5. THIS SCHEMATIC IS FOR PCB FABRICATION P/N 852CF007 AND PCB ASSEMBLY P/N 852CF006.
4. ALL DIODES ARE 1N4448.
3. ALL POLARIZED CAPACITORS IN uF, 20% 25V MINIMUM.
2. ALL UNPOLARIZED CAPACITORS IN uF, 10% OR BETTER; 50V MINIMUM. (POWER SUPPLY BYPASS CAPACITORS ARE 20%).
1. ALL RESISTORS IN OHMS, 5% 1/4W.
- NOTES: (UNLESS OTHERWISE NOTED)

THIS DOCUMENT CONTAINS INFORMATION OF A PROPRIETARY NATURE TO FENDER MUSICAL INSTRUMENTS AND IS SUBMITTED TO YOU IN CONFIDENCE AND SHALL NOT BE DISCLOSED OR TRANSMITTED TO OTHERS WITHOUT AUTHORIZATION FROM FENDER MUSICAL INSTRUMENTS.

CHECKED BY: \_\_\_\_\_  
 DATE: \_\_\_\_\_

APPROVED BY: \_\_\_\_\_  
 DATE: \_\_\_\_\_

DRAWN: I.KOTHRAD ENGR: I.KOTHRAD  
 DATABASE FILE: Z852S.SCH

**Fender** MUSICAL INSTRUMENTS  
 Corona, CA U.S.A.

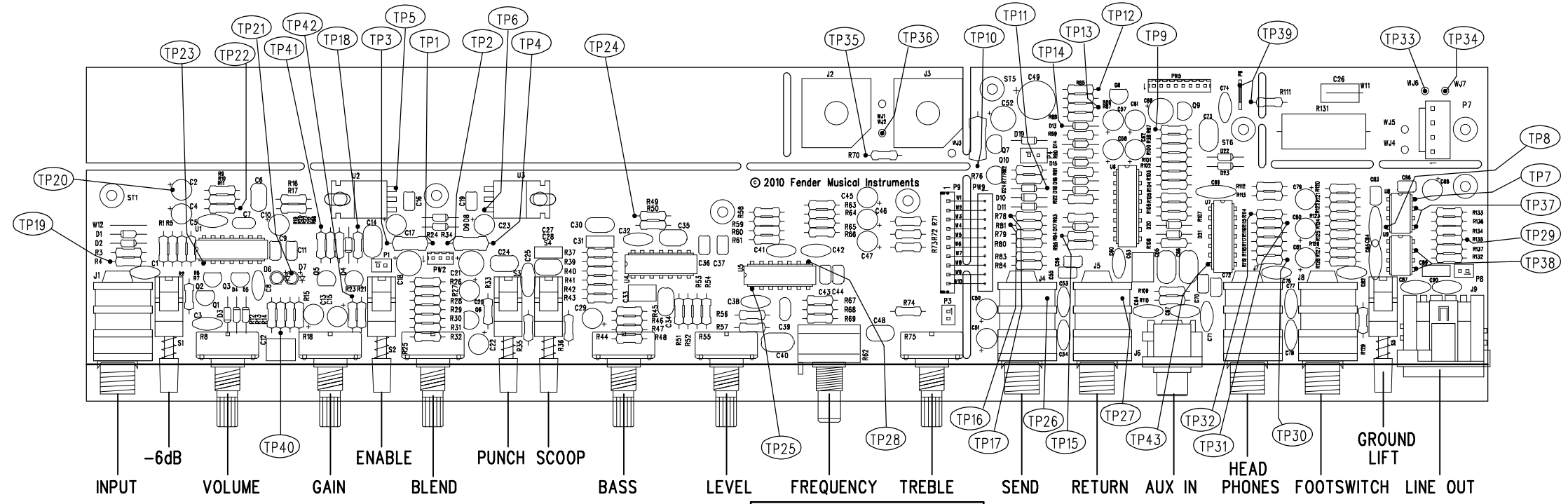
TITLE: SERVICE DIAGRAM, COMBINED RUMBLE 350 PREAMP PCB

SIZE	DRAWING NUMBER	REV.
D	852CF008	B

RELEASE DATE: 24-NOV-09 SHEET: 1 OF 2

8 7 6 5 4 3 2 1


REVISIONS			
REV.	DESCRIPTION	DATE	APPROVED
A	PR852	24-NOV-09	I D K
B	EC 4357	30-MAY-10	I D K



FILM/DWG: SERVICE DIAGRAM  
 DATABASE: Z852P.PCB DATE: 30-MAY-10

1) SEE SHEET 1 FOR TEST POINT VALUES AND AMPLIFIER SETTINGS

NOTES: (UNLESS OTHERWISE NOTED)

THIS DOCUMENT CONTAINS INFORMATION OF A PROPRIETARY NATURE TO FENDER MUSICAL INSTRUMENTS AND IS SUBMITTED TO YOU IN CONFIDENCE AND SHALL NOT BE DISCLOSED OR TRANSMITTED TO OTHERS WITHOUT AUTHORIZATION FROM FENDER MUSICAL INSTRUMENTS.		 <b>MUSICAL INSTRUMENTS</b> Corona, CA U.S.A.	
CHECKED BY: _____ DATE: _____		TITLE: SERVICE DIAGRAM, COMBINED (PCB assy) RUMBLE 350 PRE-AMP PCB ASSEMBLY	
APPROVED BY: _____ DATE: _____		SIZE	DRAWING NUMBER
DRAWN: L. KOTHRAD		<b>C</b>	852CF0008
ENGR: I. KOTHRAD		REV.	<b>B</b>
DATABASE FILE: Z852P.PCB		RELEASE DATE: 24-NOV-09	SHEET 2 OF 2

8 7 6 5 4 3 2 1