

C  
10.5"  
267

 **Hannay Reels®**  
The reel leader.

# Pumper/Cleaner Reels

## Sewer and Pipe Maintenance

| Jetting | Rodding | Steam Cleaning | Video Pipeline Inspection | Residential |  
| Washdown | Water Blasting | Vacuum Suction | Portable Toilet Cleaning | Sanitizing |



**You Can't Buy  
A Better Reel.**

Family owned and operated since 1933

# CONTENTS

<b>Pumper/Cleaner Reels</b>	<b>Page</b>
Hannay Reels Custom Department	3
<b>Sewer &amp; Pipe Maintenance Reels</b>	<b>4-10</b>
Series 6000	4-5
Series 6100	6
Series 6200	7
Series 6200 Hydraulic Direct Drive	8
Series 8000	9
Series 9000	10
<b>Hose Reels</b>	<b>11-13</b>
Series 1500	11
Series N700	12
Series PW-2	13
<b>Accessories</b>	
Utility Hose Rollers, Hose Guides, Hose Stops	14
<b>Portable Reels</b>	
Series H16-14-16 (High Pressure)	15
Series 1100/AT1200	16
Series AT1300	17
<b>Cable Reels</b>	<b>18-21</b>
CR1600	18-19
ECR1600	18-19
CR6600	18-19
ECR6600	18-19
Static Grounding Reels. Series GR/HGR	20-21
<b>Hose or Cable Reel Spec Worksheet</b>	<b>22</b>
<b>Hannay Reels Policies</b>	
Our Guarantee, Service Policy, Paint Notice, Return Goods Policy	23



## Built tough. Built for your industry.

We understand the tough conditions you face every day and build reels that can stand up to the harsh, caustic environments associated with your business. Hannay Reels has engineered more custom hose reel solutions than any other manufacturer for pumper/cleaner applications. We respond to your industry's challenges with unique, innovative solutions – like our swivel base hose reel engineered exclusively for sewer cleaning.

Let us solve your reel issues with high quality, low maintenance reels built to your unique specs – so your crew can spend more time on their jobs and less time building equipment. Because at Hannay, we don't build our reels, we build yours.

### Uses:

- Sewer, septic, portable toilet cleaning
- High pressure washdown
- Video pipeline and sewer inspection
- Steam cleaning
- Sanitizing
- Vacuum/suction
- Jetting
- Water blasting

### Mounting Hole Sizes

<b>N Series Reels</b>	7/16" wide x 7/8" long slot running front to back
<b>Pressed Frame Reels and Channel Framed Reels</b>	7/16" wide x 7/8" long slot running left to right
<b>Series 1500</b>	13/32" round holes

# Hannay Reels **Custom Department**

- Superior Design and Engineering • Handcrafted • Supreme Value
- Highest Quality Materials • Optimum Performance • Service with Integrity

Our custom department, located in a separate facility on our premises, is on the forefront of design capability, producing quality reels that meet the precise requirements of the many industries we serve.

When a specific handling problem requires a completely different type of reel, we have the design experience and manufacturing flexibility to work with you to develop the best reel for your needs.



## Series 6000

- Washdown Operations • Tank Filling
- Water Blasting\* • Sewer Cleaning\*

### To handle single 1/2" through 1" I.D. hose.

- Heavy-duty reel for longer lengths of hose.
- Choose gear-driven crank rewind or chain and sprocket drive powered by an electric, hydraulic or compressed air motor.
- Crank rewind reels supplied with pinion brake; power rewind reels with a strap brake.
- Standard inlet: 90° ball bearing swivel joint, 1" female NPT threads.
- Standard outlet: 1" female NPT threads.
- Standard inlet, outlet riser, and hub assembly are steel.
- Optional rollers are available.
- Standard pressures to 2000 psi (138 bar), available up to 5000 psi (345 bar) – must specify.
- Temperatures from -40°F to +250°F (-40°C to +121°C).
- Chain guard available upon request, must be specified.

\* Extra heavy-duty construction is usually required for water blasting and sewer cleaning applications. Refer to our 6100 and 6200 series reels. See pages 6, 7 and 8.



Electric rewind  
Standard  
configuration  
shown



### Optional Auxiliary Rewind

Ring and pinion shaft rewind unit with removable crank handle.



Optional Assembly  
C2 roller top wind  
and auxiliary rewind  
shown

# Series 6000

- Washdown Operations • Tank Filling
- Water Blasting\* • Sewer Cleaning\*

PARTS DRAWING – ISO 84

Model Number For power rewind see Note 5	Hose Capacity of Reel feet m				Approx. Weight Crank Rewind lb. kg see Note 4		Reel Dimensions*** In. mm									
	I.D. in. mm	1/2 13	3/4 19	1 25	NET	SHIP	A	B	D	E	F CRANK	F POWER	G	H	X	Y
	O.D. in. mm	7/8 22	1-9/32 33	1-9/16 40												
6024-19-21	200	100	60	85	127	21	15.5	20.5	18.75	25.38	28.5	21.5	12.12	13	16.75	
	61	30	18	39	58	533	394	521	476	645	724	546	308	330	425	
6032-19-21	350	175	85	102	144	29.5	24	20.5	18.75	33.88	37	21.5	12.12	21.5	16.75	
	107	53	26	46	65	749	610	521	476	861	940	546	308	546	425	
6024-23-24	400	150	100	92	134	21	15.5	20.5	22.75	25.38	28.5	23.5	12.12	13	16.75	
	122	46	30	42	61	533	394	521	578	645	724	597	308	330	425	
6030-23-24	-	225	150	105	147	27.5	22	20.5	22.75	31.88	35	23.5	12.12	19.5	16.75	
	-	68	46	48	67	699	559	521	578	810	889	597	308	495	425	
6038-23-24	-	300	175	120	162	35	29.5	20.5	22.75	39.38	42.5	23.5	12.12	27	16.75	
	-	91	53	54	73	889	749	521	578	1000	1080	597	308	686	425	
6016-25-26	250	100	60	88	130	13	7.5	25.5	24.75	17.38	20.5	27.88	15.5	7.75	21.75	
	76	30	18	40	59	330	191	648	629	441	521	708	394	197	552	
6022-25-26	450	175	100	100	142	19	13.5	25.5	24.75	23.38	26.5	27.88	15.5	11	21.75	
	137	53	30	45	64	483	343	648	629	594	673	708	394	279	552	
6028-25-26	-	275	175	113	155	25.5	20	25.5	24.75	29.88	33	27.88	15.5	17.5	21.75	
	-	84	53	51	70	648	508	648	629	759	838	708	394	445	552	
6018-30-31	400	200	125	101	151	15	9.5	25.5	28.75	19.38	22.5	29.88	15.5	7	21.75	
	122	61	38	46	68	381	241	648	730	492	572	759	394	178	552	
6024-30-31	-	350	175	113	163	21	15.5	25.5	28.75	25.38	28.5	29.88	15.5	13	21.75	
	-	107	53	51	74	533	394	648	730	645	724	759	394	330	552	
6028-30-31	-	450	250	121	171	25.5	20	25.5	28.75	29.88	33	29.88	15.5	17.5	21.75	
	-	137	76	55	78	648	508	648	730	759	838	759	394	445	552	
† 6030-30-31	-	500	275	125	175	27.5	22	25.5	28.75	31.88	35	29.88	15.5	19.5	21.75	
	-	152	84	57	79	699	559	648	730	810	889	759	394	495	552	
† 6028-33-34	-	550	300	129	179	25	20	31.5	31.75	29.62	32.75	33.62	17.75	17.5	27.75	
	-	168	91	59	81	635	508	800	806	752	832	854	451	445	705	

**Notes:**

- Specifications subject to change.
- Upon request, reels can be supplied with drum lengths other than shown and with disc sizes in other diameters.
- Dimensions shown for reels up to and including 30-31 disc size reflect pressed frames. All others are rollformed channel frames.
- Weights shown in chart are for crank rewind models. ADD these amounts for power rewind models.

	Net lbs/kg	Ship lbs/kg
Electric 1/2 HP	40/18.1	40/18.1
Hydraulic	20/9.1	20/9.1
Air	20/9.1	20/9.1

- When ordering power rewind models, prefix model number with:
  - A** = Air Rewind
  - EP** = Electric Rewind (1/2 HP) with Switch and Solenoid
  - EPJ** = Electric Rewind with EP Switch, Solenoid and Junction Box
  - HD** = Hydraulic Rewind

(Air rewind reels are supplied with control valve and 18" air hose; 12v and 24v DC rewind reels are supplied with switch and solenoid; 115v AC rewind reels are not supplied with switch but can be ordered separately; hydraulic rewind reels are not supplied with control valve.)

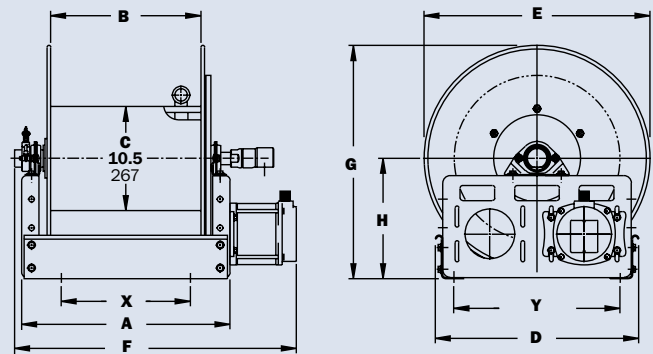
6. **Finish:** Refer to page 23.

7. **Be sure to check dimensions and weights prior to ordering.**

**NOTICE:** A flexible connector must be used between the inlet pipe and the inlet swivel joint.

\*\*\* X, Y indicate mounting holes. See page 2.

† Some applications require a clutch/reduction unit.



Power rewind shown

# Series 6100

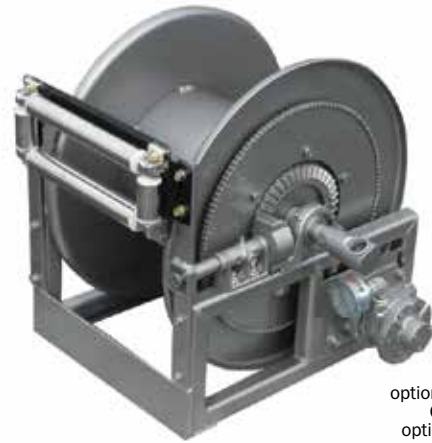
- Jetting • Water Blasting
- Sewer Cleaning

**To handle single 3/8" through 1/2" I.D. hose.**

- Rugged construction.
- Strong spool to control hose expansion.
- Standard inlet: 90° ball bearing swivel joint, 1/2" female NPT threads.
- Standard outlet: 1/2" female NPT threads.
- #40 chain and sprocket drive.
- Hydraulic, Air and Electric motorized rewinds are available.
- Steel-Hub Assembly – rated to 5000 psi (345 bar).

**Options**

- 10,000 psi working pressure (690 bar).
- Auxiliary rewind.
- Roller assemblies.
- Chain guard.
- Hose packages.



Shown with optional assembly C rollers, and optional auxiliary rewind

**PARTS DRAWING – ISO 236**

Model Number <small>For power rewind see Note 3</small>	Hose Capacity of Reel feet m			Approx. Weight lb. kg		Reel Dimensions*** In. mm									
	I.D. in. mm	3/8 10	1/2 13	NET	SHIP	A	B	C	D	E	F	G	H	X	Y
	O.D. in. mm	.68 17.3	.89 22.6												
<b>6118-23-24</b>	<b>400</b>	<b>200</b>		<b>170</b>	<b>205</b>	<b>16</b>	<b>9.5</b>	<b>10.5</b>	<b>23.25</b>	<b>22.75</b>	<b>22.75</b>	<b>24</b>	<b>12.63</b>	<b>8.5</b>	<b>20.5</b>
	122	61		77	93	406	241	267	591	578	578	610	321	216	514
<b>6122-23-24</b>	<b>600</b>	<b>300</b>		<b>175</b>	<b>210</b>	<b>20</b>	<b>13.5</b>	<b>10.5</b>	<b>23.25</b>	<b>22.75</b>	<b>26.75</b>	<b>24</b>	<b>12.63</b>	<b>12.5</b>	<b>20.25</b>
	183	91		79	95	508	343	267	591	578	679	610	321	318	514
<b>6116-25-26</b>	<b>400</b>	<b>200</b>		<b>171</b>	<b>206</b>	<b>14</b>	<b>7.5</b>	<b>10.5</b>	<b>25.25</b>	<b>24.75</b>	<b>20.75</b>	<b>26</b>	<b>13.63</b>	<b>6.5</b>	<b>22.25</b>
	122	61		78	93	356	191	267	641	629	527	660	346	165	565
<b>6118-25-26</b>	<b>475</b>	<b>300</b>		<b>176</b>	<b>211</b>	<b>16</b>	<b>9.5</b>	<b>10.5</b>	<b>25.25</b>	<b>24.75</b>	<b>22.75</b>	<b>26</b>	<b>13.63</b>	<b>8.5</b>	<b>22.25</b>
	145	91		80	96	406	241	267	641	629	578	660	346	216	565
<b>6122-25-26</b>	<b>700</b>	<b>450</b>		<b>187</b>	<b>222</b>	<b>20</b>	<b>13.5</b>	<b>10.5</b>	<b>25.25</b>	<b>24.75</b>	<b>26.75</b>	<b>26</b>	<b>13.63</b>	<b>12.5</b>	<b>22.25</b>
	213	137		85	101	508	343	267	641	629	679	660	346	318	565
<b>6116-30-31</b>	<b>600</b>	<b>300</b>		<b>200</b>	<b>250</b>	<b>14</b>	<b>7.5</b>	<b>10.5</b>	<b>29.25</b>	<b>28.75</b>	<b>20.75</b>	<b>31</b>	<b>16.63</b>	<b>6.5</b>	<b>26.25</b>
	183	91		91	113	356	191	267	743	730	527	787	422	165	667
<b>6118-30-31</b>	<b>675</b>	<b>400</b>		<b>205</b>	<b>255</b>	<b>16</b>	<b>9.5</b>	<b>10.5</b>	<b>29.25</b>	<b>28.75</b>	<b>22.75</b>	<b>31</b>	<b>16.63</b>	<b>8.5</b>	<b>26.25</b>
	206	122		93	116	406	241	267	743	730	578	787	422	216	667

**Notes:**

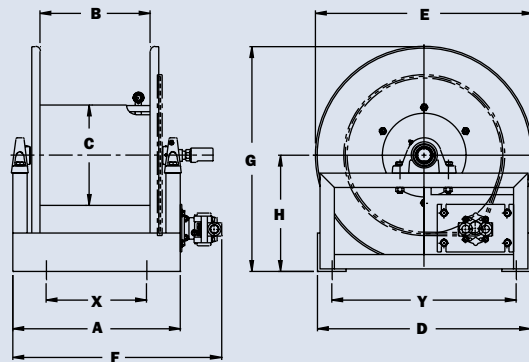
- Specifications subject to change.
- Upon request, reels can be supplied with drum lengths other than shown and with disc sizes in other diameters.
- When ordering power rewind models, prefix model number with:
  - A** = Air Rewind
  - EP** = Electric Rewind (2/3 HP) with Switch and Solenoid
  - EPJ** = Electric Rewind with EP Switch, Solenoid and Junction Box
  - HD** = Hydraulic Rewind

(Air rewind reels are supplied with control valve and 18" air hose; 12v and 24v DC rewind reels are supplied with switch and solenoid; 115v AC rewind reels are not supplied with switch but can be ordered separately; hydraulic rewind reels are not supplied with control valve.)

- Finish:** Refer to page 23.
- Be sure to check dimensions and weights prior to ordering.**

**NOTICE:** A flexible connector must be used between the inlet pipe and the inlet swivel joint.

\*\*\* X, Y indicate mounting holes which are 5/8" diameter.



Power rewind shown

# Series 6200

- Rodding • Water Blasting
- Sewer Cleaning

**To handle single 3/4" through 1" I.D. hose.**

- Heavy-duty construction.
- Strong spool and frame to control hose expansion.
- Standard inlet: 90° ball bearing swivel joint, 1" female NPT threads.
- Standard outlet: 1" female NPT threads.
- Hydraulic motor rewind.
- #50 chain and sprocket drive.
- Steel hub assembly – rated to 3000 psi (207 bar).
- Assembly "A" roller on front of frame.
- Full chain guard.

**Options**

- 5000 psi working pressure (345 bar).
- Direct drive (hydraulic) motor rewind (see page 8).
- Hose packages.
- Roller assemblies.



Standard configuration shown

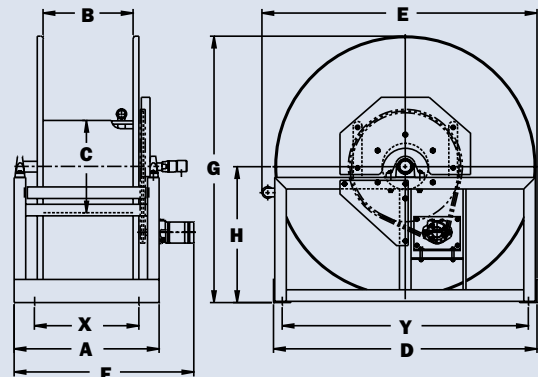
**PARTS DRAWING – ISO 237**

Model Number For power rewind see Note 3	Hose Capacity of Reel feet m			Approx. Weight lb. kg		Reel Dimensions*** in. mm									
	I.D. in. mm	3/4 19	1 25	NET	SHIP	A	B	C	D	E	F	G	H	X	Y
	O.D. in. mm	1.18 29.9	1.43 36.3			19	9.5	16	32.25	34.25	24	34	18.13	12	29.25
<b>6218-33-34-16</b>		<b>225</b>	<b>150</b>	<b>367</b>	<b>418</b>	<b>19</b>	<b>9.5</b>	<b>16</b>	<b>32.25</b>	<b>34.25</b>	<b>24</b>	<b>34</b>	<b>18.13</b>	<b>12</b>	<b>29.25</b>
		69	46	166	190	483	241	406	819	870	610	864	461	305	749
<b>6222-33-34-16</b>		<b>300</b>	<b>200</b>	<b>392</b>	<b>446</b>	<b>23</b>	<b>13.5</b>	<b>16</b>	<b>32.25</b>	<b>34.25</b>	<b>28</b>	<b>34</b>	<b>18.13</b>	<b>16</b>	<b>29.25</b>
		91	61	178	202	584	343	406	819	870	711	864	461	406	749
<b>6224-33-34-16</b>		<b>375</b>	<b>225</b>	<b>405</b>	<b>455</b>	<b>25</b>	<b>15.5</b>	<b>16</b>	<b>32.25</b>	<b>34.25</b>	<b>30</b>	<b>34</b>	<b>18.13</b>	<b>18</b>	<b>29.25</b>
		114	69	184	206	635	394	406	819	870	762	864	461	457	749
<b>6218-39-40-16</b>		<b>350</b>	<b>250</b>	<b>454</b>	<b>524</b>	<b>19</b>	<b>9.5</b>	<b>16</b>	<b>39.5</b>	<b>41.5</b>	<b>25</b>	<b>40</b>	<b>20.5</b>	<b>12</b>	<b>36.5</b>
		107	76	206	238	483	241	406	1003	1054	635	1016	521	305	927
<b>6220-39-40-16</b>		<b>400</b>	<b>300</b>	<b>466</b>	<b>536</b>	<b>21</b>	<b>11.5</b>	<b>16</b>	<b>39.5</b>	<b>41.5</b>	<b>27</b>	<b>40</b>	<b>20.5</b>	<b>14</b>	<b>36.5</b>
		122	91	211	243	533	292	406	1003	1054	686	1016	521	356	927
<b>6222-39-40-16</b>		<b>500</b>	<b>350</b>	<b>480</b>	<b>555</b>	<b>23</b>	<b>13.5</b>	<b>16</b>	<b>39.5</b>	<b>41.5</b>	<b>29</b>	<b>40</b>	<b>20.5</b>	<b>16</b>	<b>36.5</b>
		152	107	218	252	584	343	406	1003	1054	737	1016	521	406	927
<b>6224-39-40-16</b>		<b>600</b>	<b>400</b>	<b>492</b>	<b>577</b>	<b>25</b>	<b>15.5</b>	<b>16</b>	<b>39.5</b>	<b>41.5</b>	<b>31</b>	<b>40</b>	<b>20.5</b>	<b>18</b>	<b>36.5</b>
		183	122	223	263	635	394	406	1003	1054	787	1016	521	457	927
<b>6220-45-46-16</b>		-	<b>300</b>	<b>543</b>	<b>628</b>	<b>21</b>	<b>11.5</b>	<b>16</b>	<b>45.5</b>	<b>47.5</b>	<b>27</b>	<b>46</b>	<b>23.5</b>	<b>14</b>	<b>42.5</b>
		-	91	246	285	533	292	406	1156	1207	686	1168	597	356	1080
<b>6224-45-46-16</b>		<b>900</b>	<b>500</b>	<b>570</b>	<b>655</b>	<b>25</b>	<b>15.5</b>	<b>16</b>	<b>45.5</b>	<b>47.5</b>	<b>31</b>	<b>46</b>	<b>23.5</b>	<b>18</b>	<b>42.5</b>
		274	152	259	297	635	394	406	1156	1207	787	1168	597	457	1080

**Notes:**

- Specifications subject to change.
- Upon request, reels can be supplied with drum lengths other than shown and with disc sizes in other diameters.
- When ordering power rewind models, prefix model number with **HD**=Hydraulic Rewind. Hydraulic rewind reels are not supplied with control valve.

- Finish:** Refer to page 23.
  - Be sure to check dimensions and weights prior to ordering.**
- NOTICE:** A flexible connector must be used between the inlet pipe and the inlet swivel joint.
- \*\*\* X, Y indicate mounting holes which are 5/8" diameter.



Power rewind shown

# Series **HDD6200** | Hydraulic Direct Drive

- Rodding • Water Blasting
- Sewer Cleaning

**To handle single 3/4" through 1" I.D. hose.**

This reel is designed with external hose connection to allow tightening of hose connection without removing all hose from the spool. The optional hose guide arm along with the optional swivel base, allow precise payout of hose from the reel.

- Direct drive hydraulic motor (no chain and sprocket maintenance).
- 1" swivel joint with 1" FNPT threads.
- Heavy-duty spool and frame design.
- Steel hub assembly – rated to 3000 psi (207 bar).
- Other models and capacities are available upon request.

**Options:**

- Swinging guide arm with roller and operator handle.
- Rotating ball bearing swivel base.
- Heavy-duty pin lock in base for locking in multiple locations.
- 1" swivel joint with adjustable packing.
- Available up to 6000 psi (414 bar) – must specify.



Standard configuration shown with optional guide arm, pivot base, and TMI joint. Hose not included.

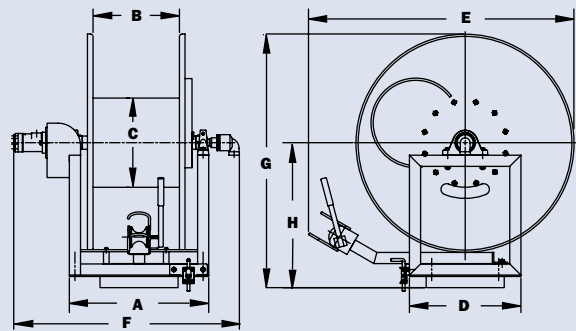
**PARTS DRAWING – ISO 238**

Model Number For power rewind see Note 3	Hose Capacity of Reel feet m			Approx. Weight lb. kg		Reel Dimensions in. mm							
	I.D. in. mm	3/4 19	1 25	NET	SHIP	A	B	C	D	E	F	G	H
	O.D. in. mm	1.18 29.9	1.43 36.3										
<b>HDD6222-39-40-16</b>		<b>500</b>	<b>350</b>	<b>480</b>	<b>555</b>	<b>23</b>	<b>13.5</b>	<b>16</b>	<b>20</b>	<b>47.6</b>	<b>38.5</b>	<b>45.5</b>	<b>26</b>
		152	107	218	252	584	343	406	508	1209	978	1156	660
<b>HDD6224-39-40-16</b>		<b>600</b>	<b>400</b>	<b>492</b>	<b>577</b>	<b>25</b>	<b>15.5</b>	<b>16</b>	<b>20</b>	<b>47.6</b>	<b>40.5</b>	<b>45.5</b>	<b>26</b>
		183	122	223	263	635	394	406	508	1209	1029	1156	660
<b>HDD6220-45-46-16</b>		<b>500</b>	<b>300</b>	<b>543</b>	<b>628</b>	<b>21</b>	<b>11.5</b>	<b>16</b>	<b>20</b>	<b>50.6</b>	<b>36.5</b>	<b>51.5</b>	<b>29</b>
		152	91	246	285	533	292	406	508	1285	927	1308	737
<b>HDD6224-45-46-16</b>		<b>900</b>	<b>500</b>	<b>570</b>	<b>655</b>	<b>25</b>	<b>15.5</b>	<b>16</b>	<b>20</b>	<b>50.6</b>	<b>40.5</b>	<b>51.5</b>	<b>29</b>
		274	152	259	297	635	394	406	508	1285	1029	1308	737

**Notes:**

1. Specifications subject to change.
2. Upon request, reels can be supplied with drum lengths other than shown and with disc sizes in other diameters.
3. Hydraulic rewind reels are not supplied with control valve.
4. **Finish:** Refer to page 23.
5. **Be sure to check dimensions and weights prior to ordering.**

**NOTICE:** A flexible connector must be used between the inlet pipe and the inlet swivel joint.





# Series 8000

- Suction/Discharge (Consult Factory) • Bulk Transfer
- Chemical Transfer • General Dispensing

**To handle single 1-1/2" or 2" I.D. hose.**

- Heavy-duty reel designed for longer lengths and larger diameters of hose through 2" I.D.
- Choose gear-driven crank rewind or chain and sprocket drive powered by an electric, hydraulic or compressed air motor.
- Crank rewind reels supplied with a pinion brake; power rewind reels with a strap brake.
- Standard inlet: 90° ball bearing swivel joint, 2" female NPT threads.
- Standard outlet: flanged riser, 2" female NPT threads.
- Standard inlet, outlet riser, and hub assembly are steel.
- Rollers may be purchased as accessory items.
- Pressures to 600 psi (41 bar).
- Temperatures from -25°F to +180°F (-32°C to +82° C).
- Consult factory for other pressures and temperatures.
- Vacuum and suction applications require OPW joint with O-ring seal riser.



Standard configuration shown



**Chain Clutch-Reduction Units**

For use on reels with disc diameter 39" or larger and/or when increased torque and slower rewind speeds are required. Factory installed when specified or available as an accessory item.

**PARTS DRAWING – ISO 35**

Model Number For power rewind see Note 4	Hose Capacity of Reel feet m			Approx. Weight Crank Rewind lb. kg see Note 3		Reel Dimensions*** in. mm									
	I.D. in. mm	1-1/2 38	2 51	NET	SHIP	A	B	D	E	F CRANK	F POWER	G	H	X	Y
	O.D. in. mm	2-1/16 52	2-9/16 65			26.25 667	20 508	27 686	25.75 654	33.75 857	34.75 883	26.62 676	13.75 349	18.75 476	23.25 591
<b>8234-26-27</b>	80 24	60 18	120 54	170 77	26.25 667	20 508	27 686	25.75 654	33.75 857	34.75 883	26.62 676	13.75 349	18.75 476	23.25 591	
<b>8238-26-27</b>	100 30	75 23	145 66	195 88	30.25 768	24 610	27 686	25.75 654	37.75 959	38.75 984	26.62 676	13.75 349	22.75 578	23.25 591	
<b>8246-26-27</b>	145 44	100 30	196 89	245 112	38.25 972	32 813	27 686	25.75 654	45.75 1162	46.75 1188	26.62 676	13.75 349	30.75 781	23.25 591	
<b>8226-33-34</b>	85 26	60 18	80 36	150 68	17.75 451	11.5 292	31.5 800	31.75 806	25.25 641	26.25 667	33.38 848	17.75 445	10.25 260	27.75 705	
<b>8234-33-34</b>	150 46	115 35	133 60	230 105	26.25 667	20 508	31.5 800	31.75 806	33.75 857	34.75 883	33.38 848	17.75 445	18.75 476	27.75 705	
<b>8238-39-40</b>	340 104	225 69	218 99	420 191	30.25 768	24 610	40 1016	39 991	37.75 959	38.75 984	39.88 1013	20.38 518	22.75 578	37 940	

**Notes:**

- Specifications subject to change.
- Upon request, reels can be supplied with drum lengths other than shown and with disc sizes in other diameters.
- Weights shown in chart are for crank rewind models. ADD these amounts for power rewind models.

	Net lbs/kg	Ship lbs/kg
<b>Electric</b>	40/18.1	40/18.1
<b>Hydraulic</b>	20/9.1	20/9.1
<b>Air</b>	20/9.1	20/9.1

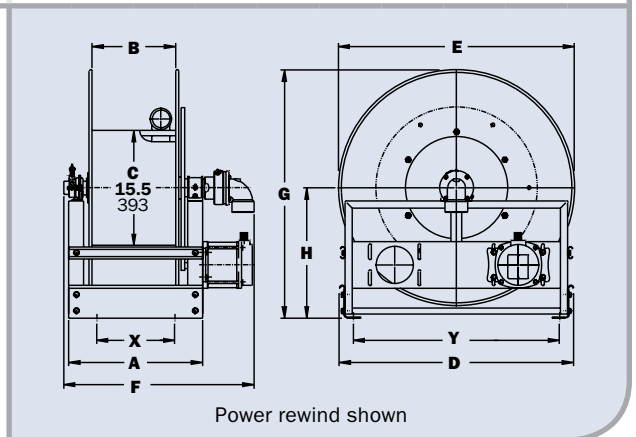
- When ordering power rewind models, prefix model number with:  
**A** = Air Rewind  
**EP** = Electric Rewind (1/2 HP)  
**HD** = Hydraulic Rewind  
 (Air rewind reels are supplied with control valve and 25" air hose; 12v and 24v DC rewind reels are supplied with switch and solenoid; 115v AC rewind reels are not supplied with switch but can be ordered separately; hydraulic rewind reels are not supplied with control valve.)

5. **Finish:** Refer to page 23.

6. **Be sure to check dimensions and weights prior to ordering.**

**NOTICE:** A flexible connector must be used between the inlet pipe and the inlet swivel joint.

\*\*\* X, Y indicate mounting holes. See page 2.



Power rewind shown

# Series 9000

- Suction/Discharge (Consult Factory) • Bulk Transfer
- High Volume Application • Chemical Transfer

**To handle 2" through 3" I.D. hose.**

- Heavy-duty reel designed for longer lengths and larger diameters of hose through 3" I.D.
- Choose gear-driven crank rewind or chain and sprocket drive powered by an electric, hydraulic or compressed air motor.
- Crank rewind reels supplied with a pinion brake; power rewind reels with a strap brake.
- Standard inlet: 90° ball bearing swivel joint, 3" female NPT threads.
- Standard outlet: flanged riser, 3" female NPT threads.
- Standard, outlet riser, and hub assembly are aluminum with ductile inlet.
- Rollers may be purchased as accessory items.
- Pressures to 300 psi (21 bar).
- Temperatures from -50°F to +180°F (-45°C to +82° C).
- Consult factory for other pressures and temperatures.



Standard configuration shown



**Chain Clutch-Reduction Units**

For use on reels with disc diameter 39" or larger and/or when increased torque and slower rewind speeds are required. Factory installed when specified or available as an accessory item.

**PARTS DRAWING – ISO 57**

Model Number <small>For power rewind see Note 4</small>	Hose Capacity of Reel feet m				Approx. Weight Crank Rewind lb. kg <small>see Note 3</small>		Reel Dimensions*** in. mm										
	I.D. in. mm	2 51	2-1/2 64	3 76	NET	SHIP	A	B	D	E	F CRANK	F POWER	G	H	X	Y	
	O.D. in. mm	2-9/16 65	3-3/16 81	3-3/4 95													
<b>9332-33-34</b>	<b>70</b> 21	<b>30</b> 9	<b>25</b> 8	<b>147</b> 67	<b>217</b> 98	<b>23.75</b> 603	<b>17.5</b> 445	<b>31.5</b> 800	<b>31.75</b> 80	<b>33.75</b> 857	<b>33.25</b> 845	<b>33.88</b> 861	<b>18</b> 457	<b>16.25</b> 413	<b>27.75</b> 705		
<b>9338-33-34</b>	<b>100</b> 30	<b>45</b> 14	<b>35</b> 11	<b>187</b> 85	<b>257</b> 117	<b>30.25</b> 768	<b>24</b> 610	<b>31.5</b> 800	<b>31.75</b> 807	<b>40.25</b> 1022	<b>39.75</b> 1010	<b>33.88</b> 861	<b>18</b> 457	<b>22.75</b> 578	<b>27.75</b> 705		
<b>9346-33-34</b>	<b>140</b> 43	<b>60</b> 18	<b>50</b> 15	<b>237</b> 108	<b>372</b> 169	<b>38.25</b> 972	<b>32</b> 813	<b>31.5</b> 800	<b>31.75</b> 807	<b>48.25</b> 1226	<b>47.75</b> 1213	<b>33.88</b> 861	<b>18</b> 457	<b>30.75</b> 781	<b>27.75</b> 705		
<b>9338-39-40</b>	<b>185</b> 56	<b>90</b> 27	<b>80</b> 24	<b>239</b> 108	<b>480</b> 218	<b>30.25</b> 768	<b>24</b> 610	<b>40</b> 1016	<b>39</b> 991	<b>40.25</b> 1022	<b>39.75</b> 1010	<b>40.38</b> 1026	<b>20.88</b> 530	<b>22.75</b> 578	<b>37</b> 940		
<b>9334-45-46</b>	<b>200</b> 61	<b>130</b> 40	<b>115</b> 35	<b>361</b> 164	<b>525</b> 239	<b>26.25</b> 667	<b>20</b> 508	<b>46</b> 1168	<b>45</b> 1143	<b>36.25</b> 921	<b>35.75</b> 908	<b>46.38</b> 1178	<b>23.88</b> 607	<b>18.75</b> 476	<b>43</b> 1092		

**Notes:**

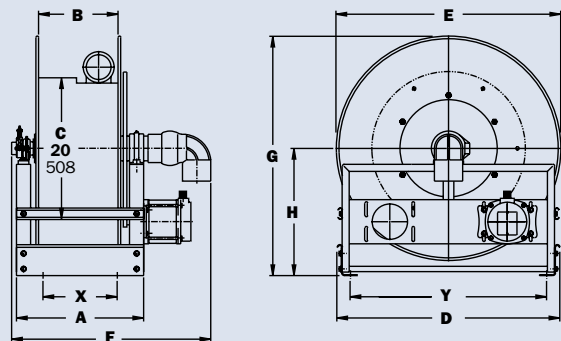
- Specifications subject to change.
- Upon request, reels can be supplied with drum lengths other than shown and with disc sizes in other diameters.
- Weights shown in chart are for crank rewind models. ADD these amounts for power rewind models.

	Net lbs/kg	Ship lbs/kg
<b>Electric</b>	<b>40/18.1</b>	<b>40/18.1</b>
<b>Hydraulic</b>	<b>20/9.1</b>	<b>20/9.1</b>
<b>Air</b>	<b>20/9.1</b>	<b>20/9.1</b>

- When ordering power rewind models, prefix model number with:  
**A** = Air Rewind  
**EP** = Electric Rewind (1/2 HP)  
**HD** = Hydraulic Rewind  
 (Air rewind reels are supplied with control valve and 25" air hose; 12v and 24v DC rewind reels are supplied with switch and solenoid; 115v AC rewind reels are not supplied with switch but can be ordered separately; hydraulic rewind reels are not supplied with control valve.)

- Finish:** Refer to page 23.
- Be sure to check dimensions and weights prior to ordering.**

**NOTICE:** A flexible connector must be used between the inlet pipe and the inlet swivel joint.  
 \*\*\* X, Y indicate mounting holes. See page 2.



Power rewind shown

# Series 1500

• Pressure Washing • Steam Cleaning • Washdown

**To handle single 1/4" through 5/8" I.D. hose.**

- Lightweight, compact reels designed for long lengths of hose in manual and power rewind.
- Direct crank rewind is permanently attached.
- Chain and sprocket drive powered by electric, hydraulic or compressed air motor.
- Manual reels include cam-lock drag brake, spring actuated pin lock.
- Standard inlet: 90° ball bearing swivel joint, 1/2" female NPT threads.
- Standard outlet: 1/2" female NPT threads.
- Optional rollers: Specify roller position when ordering.
- Standard pressures to 3000 psi (207 bar), available up to 10,000 psi (690 bar) – must specify.
- Temperatures from +20°F to +400°F (-7°C to +204°C).



Crank rewind  
Standard configuration shown



**Optional External Mounting Brackets**

Part No. 9906.0027.  
Add 2-1/2" to the X dimensions shown in the chart.

**PARTS DRAWING – ISO 90 (POWER); ISO 179 (MANUAL)**

Model Number <small>For power rewind see Note 5</small>	Hose Capacity of Reel feet m					Approx. Weight Crank Rewind lb. kg <small>see Note 3</small>			Reel Dimensions*** in. mm						
	I.D. in. mm	1/4 6	3/8 10	1/2 13	5/8 16	NET	UPS/ FedEx SHIP Wt.	Freight SHIP Wt.	A	B	E CRANK	E POWER	F CRANK	F POWER	X
	O.D. in. mm	5/8 16	3/4 19	7/8 22	1 25										
<b>1514-17-18</b>	<b>175</b>	<b>125</b>	<b>75</b>	<b>50</b>	<b>27</b>	<b>65*</b>	<b>62</b>	<b>11</b>	<b>6</b>	<b>16.5</b>	<b>19</b>	<b>18.5</b>	<b>16.5</b>	<b>9.5</b>	
	53	38	23	15	12	30	28	279	152	419	483	470	419	241	
<b>1520-17-18</b>	<b>350</b>	<b>275</b>	<b>175</b>	<b>125</b>	<b>29</b>	<b>80*</b>	<b>64</b>	<b>17</b>	<b>12</b>	<b>16.5</b>	<b>19</b>	<b>24.5</b>	<b>22.5</b>	<b>15.5</b>	
	107	84	53	38	13	36	29	432	305	419	483	622	572	394	
<b>1526-17-18</b>	<b>500</b>	<b>400</b>	<b>300</b>	<b>200</b>	<b>31</b>	<b>98*</b>	<b>66</b>	<b>23</b>	<b>18</b>	<b>16.5</b>	<b>19</b>	<b>30.5</b>	<b>28.5</b>	<b>21.5</b>	
	152	122	91	61	14	45	30	584	457	419	483	775	724	546	
<b>1530-17-18</b>	-	<b>500</b>	<b>375</b>	<b>275</b>	<b>33</b>	<b>110*</b>	<b>68</b>	<b>27</b>	<b>22</b>	<b>16.5</b>	<b>19</b>	<b>34.5</b>	<b>32.5</b>	<b>25.5</b>	
	-	152	114	84	15	50	31	686	559	419	483	876	826	648	
<b>1536-17-18</b>	-	-	<b>475</b>	<b>350</b>	<b>35</b>	<b>129*</b>	<b>70</b>	<b>33</b>	<b>28</b>	<b>16.5</b>	<b>19</b>	<b>40.5</b>	<b>38.5</b>	<b>31.5</b>	
	-	-	145	107	16	59	32	838	711	419	483	1029	978	800	

**Notes:**

1. Specifications subject to change.
2. Upon request, reels can be supplied with drum lengths other than shown.
3. Weights shown in chart are for crank rewind models. ADD these amounts for power rewind models (does not apply to FedEx or UPS):

	Net lbs/kg	Ship lbs/kg
<b>Electric</b>	<b>18/8.2</b>	<b>18/8.2</b>
<b>Hydraulic</b>	<b>15/6.8</b>	<b>15/6.8</b>
<b>Air</b>	<b>15/6.8</b>	<b>15/6.8</b>

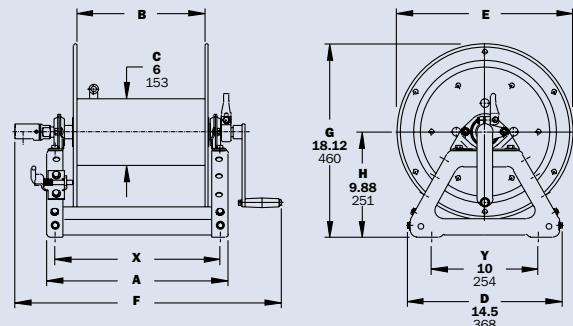
4. Dimension "F" is the overall length of standard model reels.
5. When ordering power rewind models, prefix model number with:

- A** = Air Rewind
- E** = Electric Rewind
- HD** = Hydraulic Rewind

(Air rewind reels are supplied with control valve and 18" air hose; 12v and 24v DC rewind reels are supplied with switch and solenoid; 115v AC rewind reels are not supplied with switch but can be ordered separately; hydraulic rewind reels are not supplied with control valve.)

6. Manual rewind available in RT or LB configurations only.
7. **Finish:** Refer to page 23.
8. **Be sure to check dimensions and weights prior to ordering.**
9. Some roller options may prohibit the use of our molded chain guard.

**NOTICE:** A flexible connector must be used between the inlet pipe and the inlet swivel joint.  
\* Dimensional weight applies when shipped as a parcel package (via FedEx or UPS Ground).  
\*\*\* X, Y indicate mounting holes. See page 2.



Crank rewind shown

# Series N700

- Lubrication • Air/Water • Assembly Operations
- Washdown • Air Tools • General Industrial Applications

**To handle 1/4" through 1/2" I.D. hose.**

- Narrow frame and compact mounting base.
- Non-sparking ratchet assembly.
- Declutching arbor to prevent damage from reverse winding.
- Standard inlet: 90° balanced pressure swivel joint, 1/2" female NPT threads.
- Standard outlet: 1/2" female NPT threads.
- Standard pressures to 3000 psi (207 bar), available up to 10,000 psi (690 bar) – must specify.
- Temperatures from -40°F to +250°F (-40°C to +121°C), optional temps to +400°F (+204°C) – must specify.
- 4-way roller assembly.
- Constant tension is available – consult factory.



Shown with optional full-flow swivel joint

**PARTS DRAWING – ISO 79**

Model Number	Hose Capacity of Reel feet m				Approx. Weight lb. kg			Standard Roller Assy.	Reel Dimensions*** in. mm							
	I.D. in.	1/4	3/8	1/2	NET	UPS/ FedEx SHIP Wt.	Freight SHIP Wt.		A	B	C	E	F	G	H	X
	O.D. in. mm	5/8 16	3/4 19	7/8 22												
N716-14-16-8C	-	25	25	52	64*	87	N204	10	4	8	17.62	11.25	16.25	9.12	8	
	-	8	8	24	29	39		254	102	203	448	286	413	232	203	
N716-16-17-10.5C	-	35	35	55	67*	90	N204	10	4	10.5	18.5	11.25	17	9.12	8	
	-	11	11	25	30	41		254	102	267	470	286	432	232	203	
†N716-17-18-8L	-	50†	50†	63	75*	105	N204	10	4	8	19.5	11.25	17.5	9.12	8	
	-	15†	15†	29	34	48		254	102	203	495	286	445	232	203	
N716-19-20-10.5J	-	50	50	64	82*	99	N204	10	4	10.5	20.75	11.25	20	10.62	8	
	-	15	15	29	37	45		254	102	267	527	286	508	270	203	
N716-23-24-15.5J	-	65	65	79	92*	114	N204	10	4	15.5	23.75	11.25	24	12.62	8	
	-	20	20	36	42	52		254	102	394	603	286	610	321	203	
N716-23-24-15.5G	100	75	65	94	101*	129	N204	10	4	15.5	23.75	11.25	24	12.62	8	
	30	23	20	43	46	59		254	102	394	603	286	610	321	203	
N716-25-26-15.5B	-	75	75	90	-	125	N204	10	4	15.5	25.25	11.25	26	13.62	8	
	-	23	23	41	-	57		254	102	394	641	286	660	346	203	
N718-25-26-15.5G	-	100	100	96	-	131	N206	12	6	15.5	25.25	13.25	26	13.62	10	
	-	30	30	44	-	59		305	152	394	641	337	660	346	254	

**Notes:**

**A hose stop is necessary to keep spring from unwinding.**

1. Specifications subject to change.
2. Reel models and capacities shown are for standard drag applications; for vertical lift applications, consult factory.
3. Other sizes, from standard components, available on request.
4. **Finish:** Refer to page 23.

5. **Be sure to check dimensions and weights prior to ordering.**

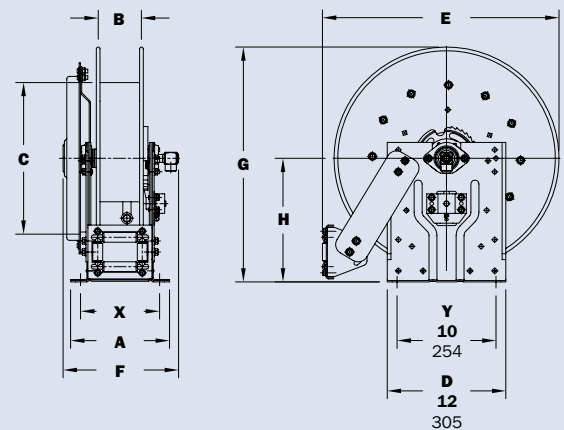
**NOTICE:** A flexible connector must be used between the inlet pipe and the inlet swivel joint.

\*Dimensional weight may apply when shipped as a parcel package (via FedEx or UPS Ground).

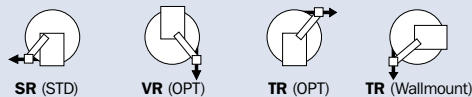
\*\*\*X, Y indicate mounting holes. See page 2.

†Capacity based on low pressure air hose only.

Not for vertical lift applications.



**Available Roller Positions**



# Series PW-2

- Pressure Washing • Steam Cleaning
- Spray Operations • Washdown

**To handle single 3/8" I.D. hose.**

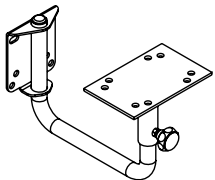
Lightweight, compact and versatile, the PW Series is designed for mobile and portable pressure wash equipment.

- Permanent direct crank rewind.
- Adjustable split bearing brake assembly.
- Standard inlet: full flow swivel joint with 1/2" NPT fitting.
- Standard outlet: 3/8" female NPT fitting.
- Other sizes and/or threads can be furnished and must be specified.
- Pressures up to 4000 psi (276 bar).
- Product temperatures from +20°F to +400°F (-7°C to +204°C).
- Consult factory for other temperatures.
- Specify mounting position when ordering mounting kits.
- Black powder coated finish.
- Optional SS construction and internals – consult factory.

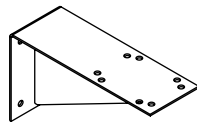


Optional PWK-200 mounting kit shown

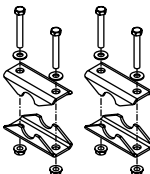
**Mounting Kits**



**PWK-400**  
Wall mount with pivot



**PWK-200**  
Wall mount



**PWK-300**  
For round tubing mount

**PARTS DRAWING – ISO 193**

Model Number	Hose Capacity of Reel feet m			Approx. Weight Crank Rewind lb. kg		Reel Dimensions*** in. mm									
	I.D. in. mm	3/8 10	1/2 13	NET	SHIP	A	B	C	D	E	F	G	H	X	Y
	O.D. in. mm	3/4 19	7/8 22			9	6	6	4	16.75	17	18.25	10	5	2.75
<b>PW-2</b>		125 38	75 23	26 12	58* 26	229	152	152	102	425	432	464	254	127	70

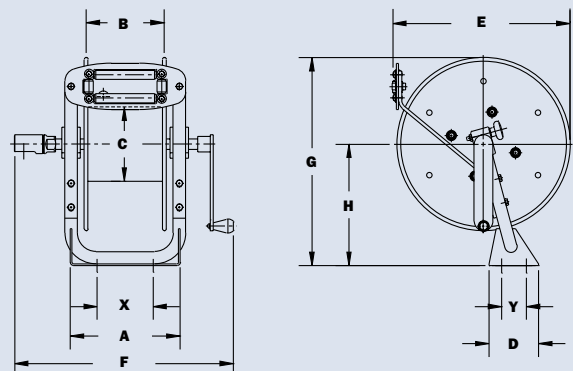
**Notes:**

1. Specifications subject to change.
2. **Finish:** Refer to page 23.
3. **Be sure to check dimensions and weights prior to ordering.**

**NOTICE:** A flexible connector must be used between the inlet pipe and the inlet swivel joint.

\* Dimensional weight applies when shipped as a parcel package (via FedEx or UPS Ground).

\*\*\*X, Y indicate mounting holes. See page 2.



# Accessories

- Utility Hose Rollers • Hose Guides • Hose Stops

## HG-15 hose guide for small frame models.

- Available for our 1500, 1600 and 1800 Series reels.
- Simple design to rewind hose evenly and neatly every time.
- No need to handle a dirty or contaminated hose.
- Powder coated bracket, stainless steel guide rods and nylon rollers assure long service life.
- Designed for aftermarket installation.

### Hose Guide Kit – HGK-15 Hannay

Part No. 9956.2200

Kit includes HG-15 Hose Guide, handle grip, 2 stainless steel guide rods, 4 mounting blocks, steel mounting bracket set, and all mounting hardware.

### Hose Guide – HG-15 Hannay

Part No. 9956.2000

Assembled black powder coated hose guide and handle grip. You must specify reel model when ordering.



Shown installed on 1500 Series Reel

Back view of HG-15

## Utility Hose Rollers

Stainless steel rollers and cast alloy brackets for use on the reel, on cabinet door openings, truck platforms and similar locations where sharp edges may cut or damage hose/cable.

Specifications: 1-1/2" diameter stainless steel roller, stainless steel rod, Delrin bearings, alloy brackets and required fasteners.

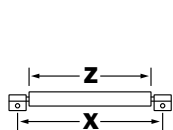
**To Order:** specify Assembly A, B, or C, and give distance between each pair of mounting holes (Dimensions X and Y) and length of **each roller** (Dimensions W and Z). W=Vertical Roller Length, Z=Horizontal Roller Length.

**Also available factory installed on the reel.**

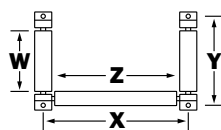


C Shown

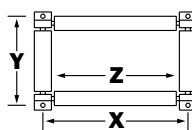
C2 Shown



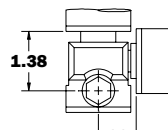
Assembly A/A2



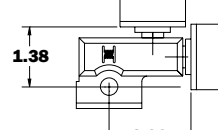
Assembly B/B2



Assembly C/C2



Assembly C



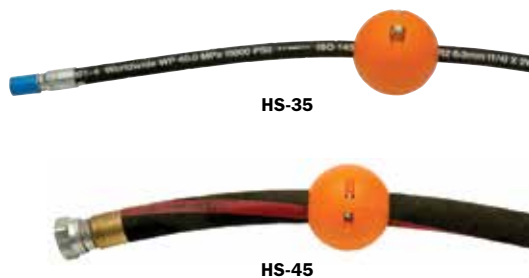
Assembly C2

## Hose Stops

Necessary with spring rewind reels and 4-way roller assemblies.

**To Order:** specify the outside diameter (O.D.) of your hose.

**Also available factory installed on the reel.**



HS-35

HS-45

# Series H16-14-16

- Pipe/Drain Cleaning • High Pressure
- For Residential and Light Commercial Use

**To handle 1/4" I.D. hose.**

- Tension brake.
- Velcro hose strap.
- Manual rewind.
- Standard pressure 5000 psi (345 bar).
- All steel construction.
- Quality swivel joint.



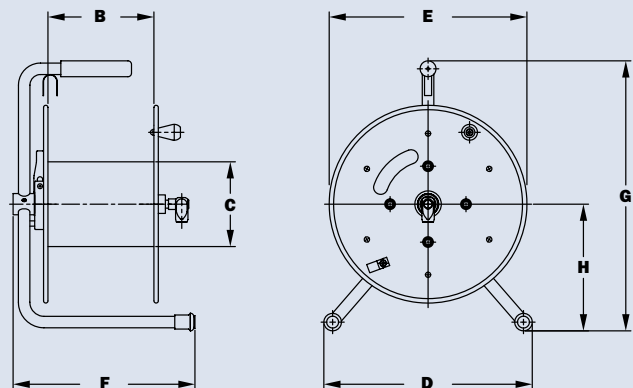
Standard configuration shown with optional hose

**PARTS DRAWING – ISO 235**

Model Number	Hose Capacity of Reel feet m		Approx. Weight lb. kg		Reel Dimensions in. mm						
	I.D. in. mm	1/4 6	NET	SHIP	B	C	D	E	F	G	H
	O.D. in. mm	5/8 16									
<b>H16-14-16</b>		<b>150</b> 46	<b>18</b> 8	<b>23*</b> 10	<b>7.5</b> 191	<b>6</b> 152	<b>14.75</b> 375	<b>14</b> 356	<b>12.88</b> 327	<b>19.13</b> 486	<b>9</b> 229

**Notes:**

1. Specifications subject to change.
  2. **Finish:** Refer to page 23.
  3. **Be sure to check dimensions and weights prior to ordering.**
- \* Dimensional weight may apply when shipped as a parcel package (via FedEx or UPS Ground).



# Series **1100/AT1200**

- Grounds Maintenance • Restaurants/Hotels
- Washdown Operations • Home Use

**To handle 3/8" through 1" I.D. hose.**

- Continuous flow reels with swivel joint inlet, fluid hub, outlet riser.
- Direct crank rewind and cam-lock brake.
- One-piece foot and removable steel handlebar.
- Permanently attached crank.
- GH prefix to model number (e.g., GH1100, GHAT1200) includes garden hose thread on outlet, 5' lead-in hose, hose end clips.

**Model 1100**

- Standard inlet: 90° ball bearing swivel joint, 1/2" female NPT threads.
- Standard outlet: 1/2" female NPT threads.
- Pressures to 3000 psi (207 bar).
- Temperatures from +20°F to +400°F (-7°C to +204°C).
- Rubber tires standard.

**Model AT1200**

- Standard inlet: 90° balance pressure swivel joint, 1" female NPT threads.
- Standard outlet: 1" female NPT threads.
- Standard pressures to 2000 psi (138 bar), available up to 4000 psi (276 bar) – must specify.
- Temperatures from -40°F to +250°F (-40°C to +121°C).
- Pneumatic tires standard.



1100 configuration shown



AT1200 configuration shown

**PARTS DRAWING – 1100–ISO 48; AT1200–ISO 87**

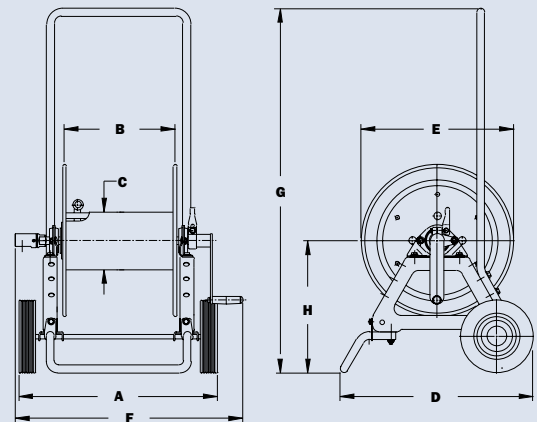
Model Number	Hose Capacity of Reel feet m						Approx. Weight lb. kg		Reel Dimensions in. mm							
	I.D. in. mm	3/8	1/2	5/8	3/4	1	NET	SHIP	A	B	C	D	E	F	G	H
		10	13	16	19	25										
<b>1100</b>		<b>275</b>	<b>175</b>	<b>125</b>	-	-	<b>47</b>	<b>100*</b>	<b>21.5</b>	<b>12</b>	<b>6</b>	<b>21</b>	<b>16.5</b>	<b>24.62</b>	<b>39</b>	<b>13.81</b>
		84	53	38	-	-	21	46	546	305	152	533	419	625	991	351
<b>AT1200</b>		-	<b>350</b>	<b>250</b>	<b>150</b>	<b>100</b>	<b>86</b>	<b>147*</b>	<b>24.88</b>	<b>11.5</b>	<b>8</b>	<b>23.31</b>	<b>22.75</b>	<b>26.5</b>	<b>40</b>	<b>17.25</b>
		-	107	76	46	30	39	67	632	292	203	592	578	673	1016	438

**Notes:**

1. Specifications subject to change.
2. Some assembly required.
3. **Finish:** Refer to page 23.

4. **Be sure to check dimensions and weights prior to ordering.**

\*Dimensional weight applies when shipped as a parcel package (via FedEx or UPS Ground).



GH1100 shown



# Series **AT1300**

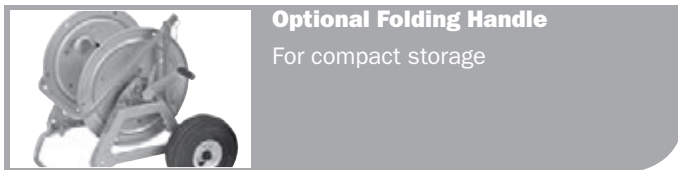
• Video Pipeline Inspection • Power Supply

**To handle live electric cable.**

- Direct crank rewind reel.
- Adjustable cam-lock drag brake.
- 3-conductor, 45-amp collector ring is standard.
- 6-foot power source lead of 10/3 cable.
- 15 amp, 3-prong straight blade (twist lock optional).
- Additional conductors available, consult factory.
- Direct offset rewind crank.
- Folding handle available for compact storage.



Standard configuration shown



**Optional Folding Handle**

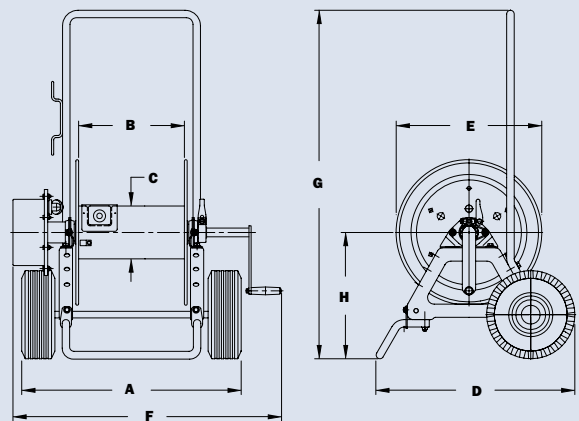
For compact storage

**PARTS DRAWING – ISO 189**

Model Number	Cable Capacity of Reel feet m				Approx. Weight lb. kg		Reel Dimensions in. mm							
	O.D. in. mm	Gauge/Number of Conductors			NET	SHIP	A	B	C	D	E	F	G	H
		14/3	12/3	10/3										
<b>AT1300</b>	<b>500</b>	<b>400</b>	<b>300</b>	<b>70</b>	<b>102</b>	<b>24.75</b>	<b>12</b>	<b>6</b>	<b>23.31</b>	<b>16.5</b>	<b>31.75</b>	<b>42.5</b>	<b>14.31</b>	
	152	122	91	32	46	629	305	152	592	419	806	1080	363	

**Notes:**

1. Specifications subject to change.
2. **Finish:** Refer to page 23.
3. **Be sure to check dimensions and weights prior to ordering.**



## Series CR

• Pipeline Inspection • Sensor Cable • Power Supply

### To handle live electric cable.

- 3-conductor, 45-amp, 600-volt collector assembly with #8 gauge wiring.
- Double brushes per circuit. Brushes are copper graphite, copper alloy rings.
- Additional conductors or higher amperage (up to 100 amps) are available at extra cost, must be specified. (300 amps possible with custom design.)
- Silver collector assemblies are available.
- Rollers and roller mounting brackets are accessory items. Specify roller position.

### Series CR1600

- Removable direct crank rewind.
- Adjustable cam-lock drag brake.

### Series ECR1600

- Optional drag brake is available.
- Some roller options may prohibit the use of our molded chain guard.



**Series ECR1600 (Power Rewind)**  
Standard configuration and optional cable package shown

### Series CR6600

- Gear-driven crank rewind.

### Series ECR6600

- Chain and sprocket drive powered by electric, compressed air or hydraulic motor.
- Auxiliary rewind and pinion brake standard.
- Consult factory for other brakes.
- Optional chain guards are available upon request.



**Series ECR6600 (Power Rewind)**  
Optional left top configuration shown



### Optional External Mounting Brackets

Part No. 9906.0025.  
Available for CR1600 and ECR1600 models.

# Series CR

• Pipeline Inspection • Sensor Cable • Power Supply

## PARTS DRAWING: SERIES CR1600 – ISO 76, SERIES CR6600 – ISO 45

Model Number <small>For power rewind see Note 5</small>	Cable Capacity of Reel feet m						Approx. Weight Crank Rewind lb. kg		Reel Dimensions*** in. mm											
	Ga./No. of Conductors								NET	SHIP	A	B	C	D	E	E	F	F	G	H
	O.D. in. O.D. mm	.53 14	.60 15	.69 18	.75 19	.67 17	.75 19	14/3			12/3	10/3	8/3	12/4	10/4	CRANK	POWER	CRANK	POWER	
CR1614-17-18	225	175	100	-	100	100	30	68*	11	6	6	14.5	16.5	19	21.75	17.5	18.12	9.88	9.5	10
	69	53	30	-	30	30	14	31	279	152	152	368	419	483	552	445	460	251	241	254
CR1616-17-18	300	200	150	-	150	150	32	68*	13	8	6	14.5	16.5	19	23.75	19.5	18.12	9.88	11.5	10
	91	61	46	-	46	46	15	31	330	203	152	368	419	483	603	495	460	251	292	254
CR1618-17-18	350	275	200	-	200	200	33	80*	15	10	6	14.5	16.5	19	25.75	21.5	18.12	9.88	13.5	10
	107	84	61	-	61	61	15	36	381	254	152	368	419	483	654	546	460	251	343	254
CR1620-17-18	450	350	250	-	250	225	34	80*	17	12	6	14.5	16.5	19	27.75	23.5	18.12	9.88	15.5	10
	137	107	76	-	76	69	15	36	432	305	152	368	419	483	705	597	460	251	394	254
CR6614-19-20	200	150	100	-	-	-	113	148	11	5.5	10.5	20.5	22	22	16	16	21.5	12.12	5.75	16.75
	61	46	30	-	-	-	51	67	279	140	267	521	559	559	406	406	546	308	146	425
CR6614-23-24	-	300	225	175	-	-	120	155	11	5.5	10.5	20.5	23	23	16	16	23.5	12.12	5.75	16.75
	-	91	69	53	-	-	54	70	279	140	267	521	584	584	406	406	597	308	146	425
CR6614-25-26	-	350	250	200	-	-	133	168	11	5.5	10.5	25.5	24.75	24.75	16	16	27.88	15.5	5.75	21.75
	-	107	76	61	-	-	60	76	279	140	267	648	629	629	406	406	708	394	146	552

**Notes:**

- Specifications subject to change.
- Upon request, reels can be supplied with drum lengths other than shown and with disc sizes in other diameters.
- Dimensions reflect pressed frames.
- Weights shown in chart are for crank rewind models. Add these amounts for power rewind models:

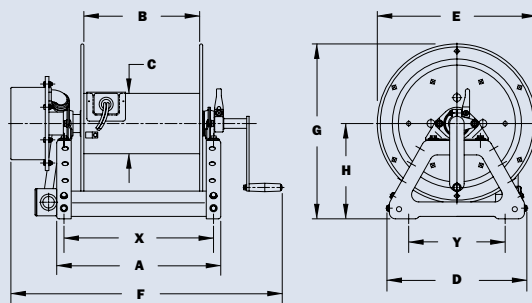
Series CR1600	Net lbs/kg	Ship lbs/kg
Electric	18/8.2	18/8.2
Hydraulic	15/6.8	15/6.8
Air	15/6.8	15/6.8

Series CR6600	Net lbs/kg	Ship lbs/kg
Electric (1/3 HP)	18/8.2	18/8.2
Hydraulic	20/9.1	20/9.1
Air	20/9.1	20/9.1

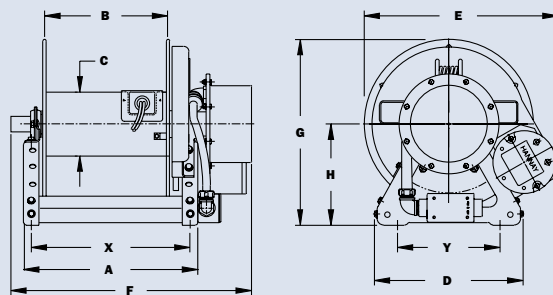
- When ordering power rewind models, prefix model number with:  
**A** = Air Rewind  
**E** = Electric Rewind  
 (Series CR1600 & CR6600)  
**EP** = Electric Rewind (Series CR6600)  
**HD** = Hydraulic Rewind  
 (Air rewind reels are supplied with control valve and 18" air hose; 12v and 24v DC rewind reels are supplied with switch and solenoid; 115v AC rewind reels are not supplied with switch but can be ordered separately; hydraulic rewind reels are not supplied with control valve.)
- Add 2-1/8" to "A" dimension when using external mounting brackets on CR1600, ECR1600 Series reels.
- When ordering reels with a 4 conductor, add 2" to "F" dimensions.
- Finish:** Refer to page 23.
- Be sure to check dimensions and weights prior to ordering.**

\* Dimensional weight applies when shipped as a parcel package (via FedEx or UPS Ground).

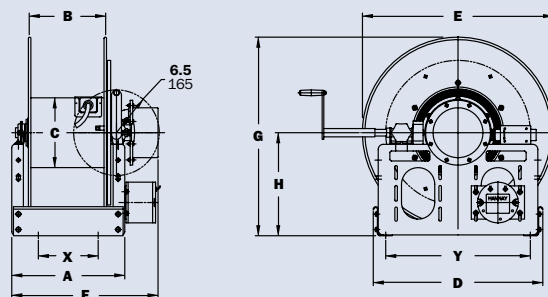
\*\*\*X, Y indicate mounting holes. See page 2.



Series CR1600 (manual rewind)



Series ECR1600 (power rewind)



Series CR6600 (power rewind)

# Static Grounding Reels

- Rescue and HazMat Operations • Aircraft Refueling
- Chemical Plants • Grain Elevators

## WARNING

These reels are for static grounding ONLY. NOT intended for lightning protection!

### For refueling or hazardous areas.

- These reels bond and/or ground aircraft, fuel trucks, and other equipment.
- Provide smooth operation and require minimum cable pull.
- Declutching arbor and adjustable guide arm with cable guide.
- Optional stainless steel construction of spool, frame, and ratchet system available on HGR Series.
- Standard finish is oven-cured enamel.
- Also available, manual rewind version. All shown with optional cable and/or "Y" branch.



**Model HGR50**  
(Shown with optional "Y" branch)



**Model SSHGR50**  
(Optional unpolished stainless steel HGR50)



**Model MHGR50**



**Model HGR100**



**Model MHGR100**



**Model GR75**



**Model MGR75**

# Series GR/HGR

- Available with 1/8", 7 x 19 galvanized carbon steel cable.
- 100 amp alligator clamp.
- Stainless steel or plastic-covered cable and "Y" branches are available at an additional charge.
- Cable guide arm of cast aluminum and ZA-12 aluminum zinc alloy.

### Series GR75

- Sealed spring is a good economical choice that's compact and lightweight.

### Series HGR

- A non-sparking ratchet assembly.
- Reels are repairable and parts are readily available.
- Supplied with 18" long grounding strap with eyelet connectors on both ends.

### Parts Drawings: HGR Series – ISO 10 and MHGR Series – ISO 234

Model Number	Cable Capacity of Reel feet m	Approx. Weight lb. kg		Reel Dimensions*** in. mm									
		Without Cable	With Cable	A	B	C	D	E	F	G	H	X	Y
GR75	75	11	14*	2	2	7	9	9.25	3.5	9.88	5.06	1	7.88
	23	5	6	51	51	178	229	235	89	251	129	25	200
† MGR75	75†	11	13*	2	2	7	9	9.25	5.25	9.88	5.06	1	7.88
	23†	5	6	51	51	178	229	235	133	251	129	25	200
HGR50	75	28	30*	4	1.25	10.75	11.5	14.25	5.5	16.75	8.88	2.38	7.5
	23	13	14	102	32	273	292	362	159	425	226	60	191
† MHGR50	125†	19	23*	4	1.25	10.75	11.5	14.25	6.25	16.75	8.88	2.38	7.5
	38†	9	10	102	32	273	292	362	159	425	226	60	191
HGR100	100	37	41*	4	1.25	13.25	11.5	16.75	5.5	17.75	8.88	2.38	7.5
	30	17	19	102	32	337	292	425	140	451	226	60	191
† MHGR100	175†	25	31*	4	1.25	13.25	11.5	16.75	6.25	17.75	8.88	2.38	7.5
	53†	11	14	102	32	337	292	425	159	451	226	60	191



**Optional Grounding Jack**  
per MIL-C-8341D/4  
Part No. 9951.0033



**Optional Browne Clamp**  
(ALS-10)  
Part No. 9951.0031

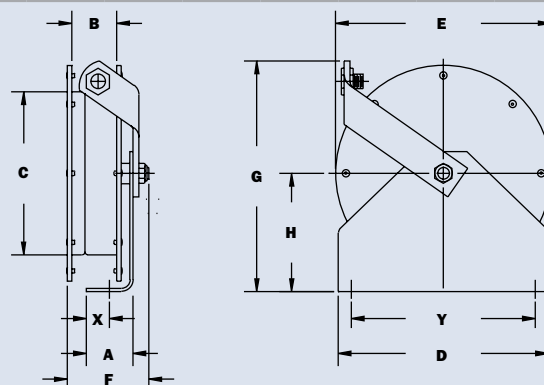
**Notes:**

1. Specifications subject to change.
2. When ordering, specify model number, gauge, O.D., length, and coating if required.
3. Specify "Y" branch if required.
4. **Finish:** Refer to page 23.

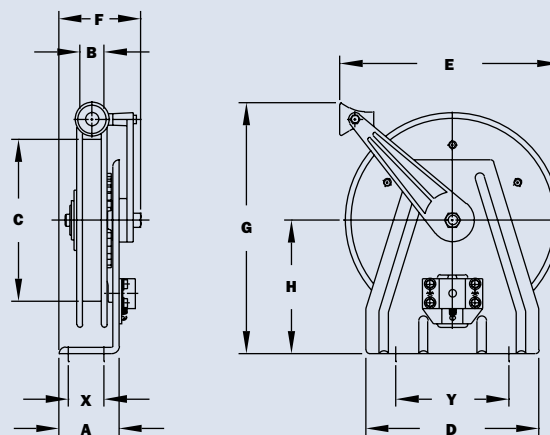
\*Reels can be shipped as a parcel package (via FedEx or UPS Ground).

\*\*\* X, Y indicate mounting holes. See page 2.

† Capacities shown are for PCC (plastic coated cable). Capacities may be higher for uncoated cable; consult factory.



Model GR75/MGR75 – GR75 shown



Model HGR50/HGR100/MHGR50 – HGR shown

# Hannay Reels **Spec Worksheet**

To specify Hannay reels, fill out this simple form and mail or fax it to your dealer.  
Photocopy this page or download and print from [hannay.com](http://hannay.com)

1. Who is the reel for?			
Contact	Date		/ /
Company	Division		
Street Address			
City	State	Zip	Country
Telephone ( )		Fax ( )	

2. What is the reel for?			
<input type="checkbox"/> <b>HOSE</b> (check one): <input type="radio"/> Storage only <input type="radio"/> Live Single hose <input type="radio"/> Live Dual hose			
Inside diameter:	Hose length:	Bend radius:	Flat hose dimensions:
Outside diameter:	Hose weight:	Coupling spacing:	
<b>Type of product handled live application: (check one):</b>			
<input type="radio"/> Liquid (specify type):	<input type="radio"/> Temperature:	<input type="radio"/> Oxygen/Acetylene:	<input type="radio"/> Other (specify):
<input type="radio"/> Gases (specify type):	<input type="radio"/> Pressure:	<input type="radio"/> Hydraulic fluid (specify):	
<b>Fluid path type: (check one):</b> <input type="radio"/> Steel (standard) <input type="radio"/> Aluminum <input type="radio"/> Stainless Steel <input type="radio"/> Other			
<b>Reel inlet type: (check one):</b> <input type="radio"/> Swivel joint 90° (standard) <input type="radio"/> Straight			
<b>Reel outlet type (riser):</b> Size:			
Thread (check one):	<input type="radio"/> National Pipe Thread (NPT)	<input type="radio"/> Joint Industry Committee (JIC)	<input type="radio"/> Other
	<input type="radio"/> National Standard Thread (NST)	<input type="radio"/> British Standard Pipe (BSP)	

Indicate your custom specifications

3. What features does the reel need? Check type of rewind:		
<input type="checkbox"/> <b>CABLE</b> (check one): <input type="radio"/> Live* <input type="radio"/> Storage only		
*Number of conductors, or wire gauge, required:		
*Number of connectors:	Cable weight:	Cable length:
*Voltage:	Outside diameter:	
*Amperage (live application only):	Bend radius:	

Indicate your custom specifications

4. Specifying Location of Components			
<b>Optional Location of Components:</b> Location of the inlet, outlet riser, and rewind mechanism can be varied to meet your requirements and <b>must be specified on your order</b> . Unless otherwise specified, most reels will be shipped as <b>Right Top Rewind</b> with the inlet, outlet riser, and rewind mechanism on the operator's right.			
	<input type="radio"/> <b>RT - Right Top Rewind</b> Standard - Always look at your reel from this position to determine right hand or left hand.		
	<input type="radio"/> <b>RB - Right Bottom Rewind</b>		
	<input type="radio"/> <b>LT - Left Top Rewind</b> Standard for 1500, 1800, 2000 & 4000 Series reels.		
	<input type="radio"/> <b>LB - Left Bottom Rewind</b>		
<b>Note:</b> Use component location initials as suffix after model number (ie: HD6024-23-24 RT)			

5. Please note size and/or weight limitations for your installation			
<b>SPECIFICATIONS</b>			
Depth: _____			
Height: _____			
Width: _____			
Weight: _____			

**For custom applications not found in our catalogs, call the Inside Sales Group at 518-797-3791.**

3. What features does the reel need? Check type of rewind:			
<input type="checkbox"/> <b>MANUAL REWIND</b>			
<input type="radio"/> Disc rewind (hand over hand)	<input type="radio"/> Gear-driven crank	<input type="radio"/> Direct crank (permanent or removable)	<input type="radio"/> Chain-driven crank
<input type="checkbox"/> <b>POWER REWIND</b>			
<input type="radio"/> Spring	<input type="radio"/> Air	<input type="radio"/> Electric (voltage):	<input type="radio"/> Hydraulic
<b>Type of installation (check one):</b> <input type="radio"/> Floor <input type="radio"/> Wall <input type="radio"/> Overhead <input type="radio"/> Vehicle			
Temperature Range:		Environment:	
Accessories (if any):		Hose/Cable Stop: <input type="radio"/> Yes <input type="radio"/> No	
Roller Assemblies:			
<b>Finish:</b> <input type="radio"/> Painted steel (standard) <input type="radio"/> Aluminum <input type="checkbox"/> Polished <input type="checkbox"/> Unpolished <input type="radio"/> Stainless steel <input type="checkbox"/> Polished <input type="checkbox"/> Unpolished			
<b>Check type of installation and roller position for spring reels:</b>			
<input type="radio"/> Drag Position <b>SR</b>	<input type="radio"/> Lift Position <b>VR</b>	<input type="radio"/> Stretch (no roller) Position <b>TR</b>	<input type="radio"/> Wall Mount Position <b>TR</b>
		or	<input type="radio"/> Recovery (pick-up) (no roller)
<input type="radio"/> Constant tension available on all roller positions			

# Hannay Reels Sales Policies

## Our Guarantee and Service Policy - 2 Year Warranty

Equipment manufactured by Hannay Reels, Inc. is guaranteed for **2 years** from date of shipment when installed according to our instructions, given proper care, and used for the purpose for which it is designed.

Equipment which proves to be defective upon our inspection will be replaced free of charge, including freight to the customer. Our responsibility ceases upon delivery to any common carrier and we do not, unless previously instructed, insure shipments beyond point of delivery to such carrier. No material will be accepted for return without a return goods authorization. No allowance will be made for labor charges incurred in making exchanges, replacements or repairs.

**Components (including hose and cable) which are manufactured by other vendors will be subject to the warranty terms of their own manufacturers.**

**Also excluded from the general guarantee are normal wear items (including seals, motor brushes, and paint finish).**

We reserve the right to modify or alter materials, dimensions, design, and construction when necessary to improve the performance of the reel and/or accessories, or to meet delivery requirements.

**Failure to use a properly sized circuit breaker with any electric rewind motor will void warranty on motor.**

**Failure to use a flexible connector with any live hose reel will void warranty on swivel joint.**

We expressly disclaim any liability for damage or injuries resulting from the use, operation, service, maintenance or failure of equipment.

## Notice on Reel Finish

Standard finish on Hannay reels is a high performance modified acrylic enamel paint. Standard color is metallic graphite. Other colors available at no additional cost include red, white, black, and primer.

Most of the major components on standard reels are e-coated prior to receiving final topcoat paint finish. This combination of e-coat and enamel topcoat will meet the finish requirements of most customer applications and environments.

In cases where requirements cannot be met with the standard finish, Hannay Reels can coat any model reel with an automotive primer, allowing application of final coating at your facility. Alternatively, Hannay Reels can provide a quote for matching a customer-provided paint specification. For further information, please contact your Hannay Reels sales engineer and a special paint request form will be sent to you.

For environments where no paint finish is suitable, we offer both aluminum and stainless steel (304 grade) construction on most reel models.

## Return Goods Policy

All Hannay reels are built to order. The parts and components are ordered or placed into production as soon as the order is written.

In order to keep the number of returned goods at a minimum, we ask that you use the Hannay Reels Spec Worksheet and/or Accessory Order Form when specifying reels with us.

**Be sure to include any size and/or weight limitations for your installation.**

In the event that an item does need to be returned for credit, repair or replacement, prior approval **must** be obtained from Hannay Reels, Inc. Upon your request, we will fax a Return Goods Authorization form. A signed copy of this form **must** accompany the material when returned to us.

All material must be returned prepaid, unless otherwise noted on our Return Goods Authorization. **No** return will be accepted that has been damaged due to improper return packaging, tampered with or altered from its original condition. **Equipment specially built to customer specifications and requirements is not subject to cancellation or returnable for credit under any conditions.**

Our restocking and handling fee is a **MINIMUM** of 25% for standard catalog reels and parts.

**No** material will be accepted for credit when returned without permission. Orders for equipment incorporating variations from catalog listed items are special and are not subject to return.

**No** allowance will be made for labor or mileage charges incurred in making exchanges, replacements or repairs.

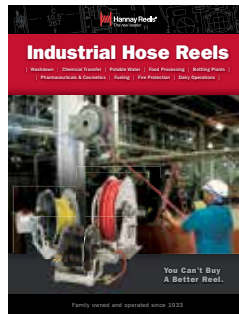
# You Can't Buy A Better Reel.

**Here's what makes Hannay Reels the industry choice:**



- Multi-position roller assembly features dual arms to give maximum support from each side.
- Heavy 14-gauge disc has rolled edges that add rigidity and strength.
- One-piece hub assembly for superior strength.
- Externally mounted spring motor and ratchet pawl lock for the most serviceable reel available.
- Drums are 304-grade stainless steel for maximum corrosion resistance.
- 11-gauge steel modular frame bolts easily to standard footprint patterns.
- Sealed axle bearings provide superior wear and effortless operation.

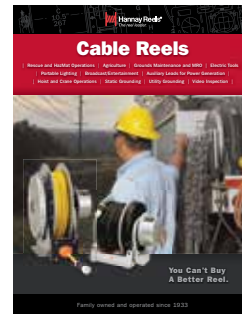
**Find reels for every need.**



### Industrial Hose Reels

**Includes specs and information on:**

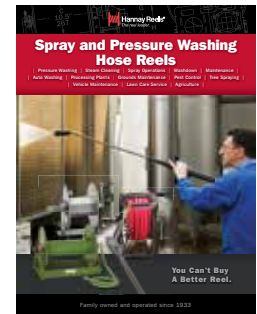
- High pressure spring rewind reels
- Compact manual rewind reels
- Power rewind reels
- Portable storage reels
- Hose assemblies



### Cable Reels

**Find out more about:**

- Manual and power rewind reels
- Storage reels
- Reels for live electric cable
- Portable reels
- Static and truck grounding reels



### Spray and Pressure Washing Hose Reels

**Details and specs for:**

- Pressure wash reels
- Manual, spring and remote controlled power rewind reels
- Portable hose reels
- Small frame model reels

**View all our reel catalogs online at [hannay.com](http://hannay.com)**



Family owned and operated since 1933, Hannay Reels is the world leader in both OEM and aftermarket applications. Hannay offers thousands of standard hose reel and cable reel models, as well as unmatched custom capabilities. We can easily and affordably customize a reel to meet your exact specifications – built to last, delivered fast. Additional catalogs are available through your local Hannay Reels dealer or online at [hannay.com](http://hannay.com).



553 State Route 143 | Westerlo, New York 12193  
 Email: [reels@hannay.com](mailto:reels@hannay.com) | [hannay.com](http://hannay.com)



All Hannay reels are constructed of quality heavy gauge steel (optional aluminum or stainless steel also available on most models).

Phone: **518-797-3791**  
 Toll Free: **1-877-467-3357**

Domestic FAX: **1-800-733-5464**  
 International FAX: **518-797-3259**

Form H-0804-PC REV WEB 6-15





# Vacuum Reels

## Series VAC-5000 Single Wrap

To handle 2" through 4" I.D. hose

- Heavy-duty reel for longer lengths and large diameters of vacuum hose through 4".
- Choose gear driven crank rewind or chain and sprocket drive powered by an electric, hydraulic or compressed air motor.
- Standard: 90° ball bearing swivel joint with female NPT threads.

### Single Wrap Configuration:

Use where width dimension is minimal, such as between cab and tank, mounted transverse to frame of truck. Provides effortless and fast rewinding and wrapping of hose. Easy access to hose from both sides of vehicle.

See models and specifications on page 2.



Series VAC-5000  
Hose not included

## Series VAC-9000 Multi-Wrap

To handle 2" through 4" I.D. hose

- Heavy-duty reel for longer lengths and large diameters of vacuum hose through 4".
- Choose gear driven crank rewind or chain and sprocket drive powered by an electric, hydraulic or compressed air motor.
- Standard: 90° ball bearing swivel joint with female NPT threads.

### Multi-Wrap Configuration:

Use where single wrap reels are too large in diameter, or cabinet/mounting space dictates a wider/lower configuration or dimensional requirements. Requires guiding of hose for optimal hose capacity. Also for installations requiring longer lengths of hose.

See models and specifications on page 3.



Series VAC-9000  
Standard configuration shown

You Can't Buy A Better Reel.

# Vacuum Reels

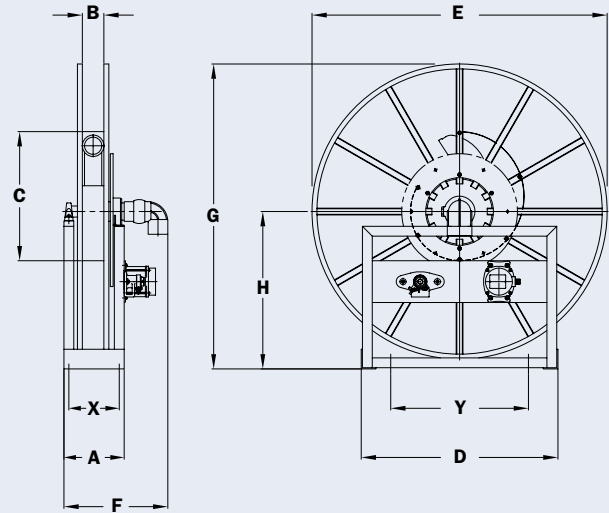
## Series VAC-5000 Single Wrap

To handle 2" through 4" I.D. hose

Model Number For power rewind see Note 2	Hose Capacity of Reel feet m			Approx. Weight lb. kg		Reel Dimensions*** In. mm										
	I.D. in. mm	2 51	3 76	4 102	NET	SHIP	A	B	C	D	E	F	G	H	X	Y
	O.D. in. mm	2.51 63.75	3.60 91.44	4.70 119.38												
VAC-5319-56-58-30	50	-	-	-	390	465	12.25	4.38	30	40	56	22	58	30	10.25	28
	15	-	-	-	177	211	311	111	762	1016	1422	559	1473	762	260	711
VAC-5319-64-66-30	75	-	-	-	410	485	12.25	4.38	30	40	64	22	66	34	10.25	28
	23	-	-	-	186	220	311	111	762	1016	1626	559	1676	864	260	711
VAC-5319-70-72-30	100	-	-	-	420	495	12.25	4.38	30	40	70	22	72	37	10.25	28
	30	-	-	-	191	225	311	111	762	1016	1778	559	1829	940	260	711
VAC-5420-62-64-30	-	50	-	-	415	490	13.50	5.63	30	40	62	25	64	33	11.50	28
	-	15	-	-	188	222	343	143	762	1016	1575	635	1626	838	292	711
VAC-5420-74-76-30	-	75	-	-	430	505	13.50	5.63	30	40	74	25	76	39	11.50	28
	-	23	-	-	195	229	343	143	762	1016	1880	635	1930	991	292	711
VAC-5420-80-82-30	-	100	-	-	438	513	13.50	5.63	30	40	80	25	82	42	11.50	28
	-	30	-	-	199	233	343	143	762	1016	2032	635	2083	1067	292	711
VAC-5420-68-70-30	-	-	50	-	422	497	13.50	5.63	30	40	68	25	70	36	11.50	28
	-	-	15	-	191	225	343	143	762	1016	1727	635	1778	914	292	711

**Notes:**

- Specifications subject to change.
  - When ordering power rewind models, prefix model number with:
    - A** = Air Rewind – Supplied with control valve and 18" air hose.
    - EP** = Electric Rewind (1/2 HP) – 12v and 24v DC rewind reels are supplied with switch and solenoid; 115v AC rewind reels are not supplied with switch but can be ordered separately.
    - HD** = Hydraulic Rewind – Not supplied with control valve.
  - Clutch/reduction unit available upon request.
  - Be sure to check dimensions and weights prior to ordering.**
- NOTICE:** A flexible connector must be used between the inlet pipe and the inlet swivel joint.  
 \*\*\* X, Y indicate mounting holes.



# You Can't Buy A Better Reel.

## Vacuum Reels

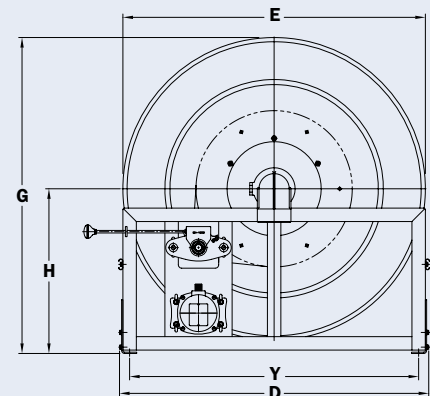
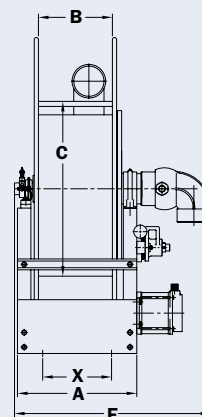
### Series VAC-9000 Multi-Wrap

To handle 2" through 4" I.D. hose

Model Number For power rewind see Note 2	Hose Capacity of Reel feet m				Approx. Weight lb. kg		Reel Dimensions*** in. mm									
	I.D. in. mm	2 51	3 76	4 102	NET	SHIP	A	B	C	D	E	F	G	H	X	Y
	O.D. in. mm	2.51 64	3.60 91	4.70 119												
VAC-9334-33-34-20	50	-	-	-	160	230	26.25	20	20	31.50	31.75	36.25	33.88	18	18.75	27.75
	15	-	-	-	73	104	667	508	508	800	806	921	861	457	476	705
VAC-9340-33-34-20	75	-	-	-	200	270	32.25	26	20	31.50	31.75	42.25	33.88	18	24.75	27.75
	23	-	-	-	91	122	819	660	508	800	806	1073	861	457	629	705
VAC-9344-33-34-20	100	-	-	-	225	295	35.75	29.50	20	31.50	31.75	46.75	33.88	18	28.25	27.75
	30	-	-	-	102	133	908	749	508	800	806	1187	861	457	718	705
VAC-9330-39-40-20	50	-	-	-	188	258	21.75	15.50	20	40	39	31.75	40.38	20.88	14.25	37
	15	-	-	-	85	117	552	394	58	1016	991	806	1026	530	362	940
VAC-9332-39-40-20	75	-	-	-	200	270	23.75	17.50	20	40	39	33.75	40.38	20.88	16.25	37
	23	-	-	-	91	122	603	445	508	1016	991	857	1026	530	413	940
VAC-9334-39-40-20	100	-	-	-	212	282	26.25	20	20	40	39	36.25	40.38	20.88	18.75	37
	30	-	-	-	96	128	667	508	508	1016	991	921	1026	530	476	940
VAC-9332-45-46-20	150	-	-	-	350	420	23.75	17.5	20	46	45	33.75	46.38	23.88	16.25	43
	46	-	-	-	159	191	306	445	508	1168	1143	857	1178	607	413	1092
VAC-9336-45-46-20	200	-	-	-	375	445	28.25	22	20	46	45	38.25	46.38	23.88	20.75	43
	61	-	-	-	170	202	718	559	508	1168	1143	972	1178	607	527	1092
VAC-9340-45-46-20	250	-	-	-	400	470	32.25	26	20	46	45	42.25	46.38	23.88	24.75	43
	76	-	-	-	181	213	819	660	508	1168	1143	1073	1178	607	629	1092
VAC-9344-45-46-20	300	-	-	-	425	495	35.75	29.50	20	46	45	45.75	46.38	23.88	28.25	43
	91	-	-	-	192	225	908	748	508	1168	1143	1162	1178	607	718	1092
VAC-9438-39-40-24	-	50	-	-	250	320	30.25	24	24	40	39	41.5	41	21.50	22.75	37
	-	15	-	-	113	145	768	61	610	1016	991	1054	1041	546	578	940
VAC-9444-39-40-24	-	75	-	-	280	350	35.75	29.50	24	40	39	47	41	21.50	28.25	37
	-	23	-	-	127	159	908	749	610	1016	991	1194	1041	546	718	940
VAC-9434-48-50-24	-	100	-	-	270	340	26.25	20	24	49	48	37.50	50.50	26.50	18.75	46
	-	30	-	-	122	154	667	508	610	1245	1219	953	1283	673	476	1168
VAC-9448-48-50-24	-	150	50	-	320	390	40.25	34	24	49	48	51.50	50.50	26.50	32.75	46
	-	46	15	-	145	177	1022	864	610	1245	1219	1308	1283	673	832	1168
VAC-9444-56-58-24	-	200	75	-	375	445	35.75	29.50	24	57	56	47	58	30	28.25	54
	-	61	23	-	170	202	908	749	610	1448	1422	1194	1473	762	718	1371
VAC-9450-56-58-24	-	250	100	-	411	481	42.25	36	24	57	56	53.50	58	30	34.75	54
	-	76	30	-	186	218	1073	914	610	1448	1422	1359	1473	762	883	1371
VAC-9456-56-58-24	-	300	150	-	447	517	48.25	42	24	57	56	60.50	58	30	40.75	54
	-	91	46	-	203	235	1226	1066	610	1448	1422	1537	1473	762	1035	1371

#### Notes:

- Specifications subject to change.
  - Upon request, reels can be supplied with drum lengths other than shown and with disc sizes in other diameters.
  - When ordering power rewind models, prefix model number with:
    - A** = Air Rewind – Supplied with control valve and 18" air hose.
    - EP** = Electric Rewind (1/2 HP) – 12v and 24v DC rewind reels are supplied with switch and solenoid; 115v AC rewind reels are not supplied with switch but can be ordered separately.
    - HD** = Hydraulic Rewind – Not supplied with control valve.
  - Clutch/reduction unit available upon request.
  - Be sure to check dimensions and weights prior to ordering.**
- NOTICE:** A flexible connector must be used between the inlet pipe and the inlet swivel joint.
- \*\*\* X, Y indicate mounting holes.

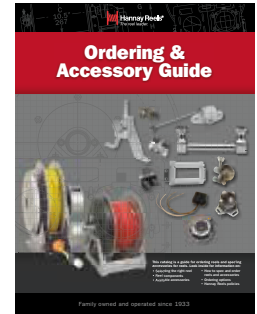
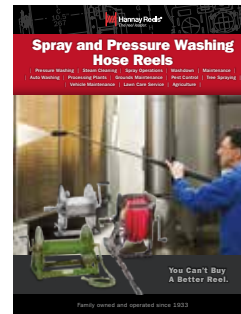
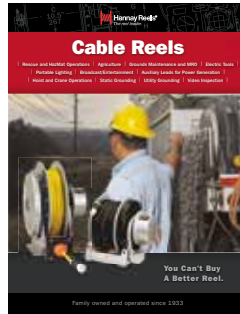
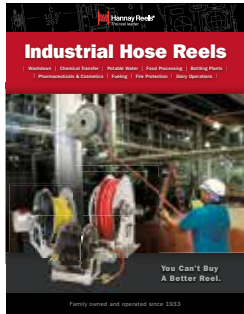


# You Can't Buy A Better Reel.



## Find reels for every need.

Learn more about all of our reels, including specs, drawings, and even how to select the right reels and accessories for your industry.



### Industrial Hose Reels

Includes specs and information on:

- High pressure spring rewind reels
- Compact manual rewind reels
- Power rewind reels
- Portable storage reels
- Hose assemblies

### Pumper/Cleaner Reels

Details and specs for:

- Sewer, septic and portable cleaning
- Steam Cleaning/Sanitizing
- High-Pressure
- Video Pipeline and Sewer Inspection
- Jetting and Rodding

### Cable Reels

Find out more about:

- Manual and power rewind reels
- Storage reels
- Reels for live electric cable
- Portable reels
- Static and truck grounding reels

### Spray and Pressure Washing Hose Reels

Details and specs for:

- Pressure wash reels
- Manual, spring, and remote controlled power rewind reels
- Portable hose reels
- Small frame model reels

### Ordering & Accessory Guide

Learn more about:

- Selecting the right reel
- Reel components
- Available accessories
- How to spec and order reels and accessories
- Ordering options
- Hannay Reels policies

View all our reel catalogs online at [hannay.com](http://hannay.com)



Family owned and operated since 1933, Hannay Reels is the world leader in both OEM and aftermarket applications. Hannay offers thousands of standard hose reel and cable reel models, as well as unmatched custom capabilities. We can easily and affordably customize a reel to meet your exact specifications – built to last, delivered fast. Additional catalogs are available through your local Hannay Reels dealer or online at [hannay.com](http://hannay.com).



553 State Route 143 | Westerlo, New York 12193  
Email: [reels@hannay.com](mailto:reels@hannay.com) | [hannay.com](http://hannay.com)



All Hannay reels are constructed of quality heavy gauge steel (optional aluminum or stainless steel also available on most models).

Phone: 518-797-3791  
Toll Free: 1-877-467-3357

Domestic FAX: 1-800-733-5464  
International FAX: 518-797-3259

Form H-1502-VAC 250 AP 3/15

