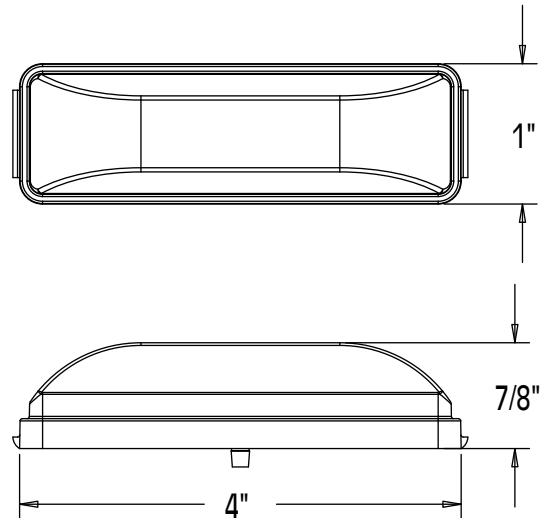


# LED Lighting



## PRODUCT INFORMATION

### DIMENSIONS



### SPECIFICATIONS

#### Model: 1A-V-1250R, 1A-V-1250RI

- Light source: 6 light emitting diodes
- Designed at: 14VDC, 0.074 Amp
- Polycarbonate lens
- ABS housing

#### Model: 1A-V-1250A, 1A-V-1250AI

- Light source: 6 light emitting diodes
- Designed at: 14VDC, 0.073 Amp
- Polycarbonate lens
- ABS housing

## LED Exterior

Thank you for your interest in Kaper II's 6 diode clearance / marker lamp.

Kaper II, Inc.  
2212 1/2 Parrott Way  
Kelso, WA 98626 USA

tel: 800-336-2011  
fax: 360-423-0785  
www.kaperii.com

### RATED

# P2 PC 03

### FEATURES

- 4" x 1".
- Standard 2-pole plug.
- Compact size and fashionable assembly.
- Many mounting base options available.

### PRODUCT RECOMMENDATION

To reduce the risk of fire, burns, or injury, use lights only in the manner intended by Kaper II. Should you have questions regarding your installation, please contact Kaper II before applying power.