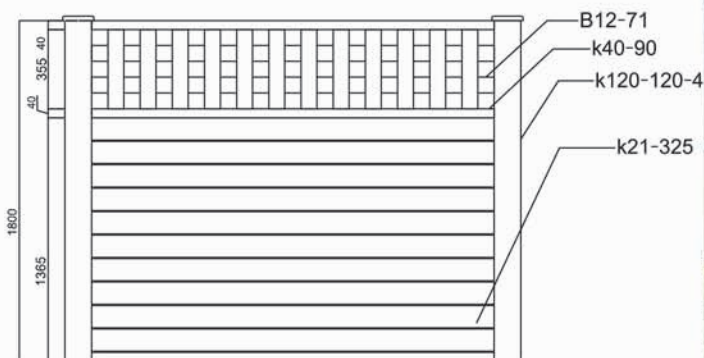
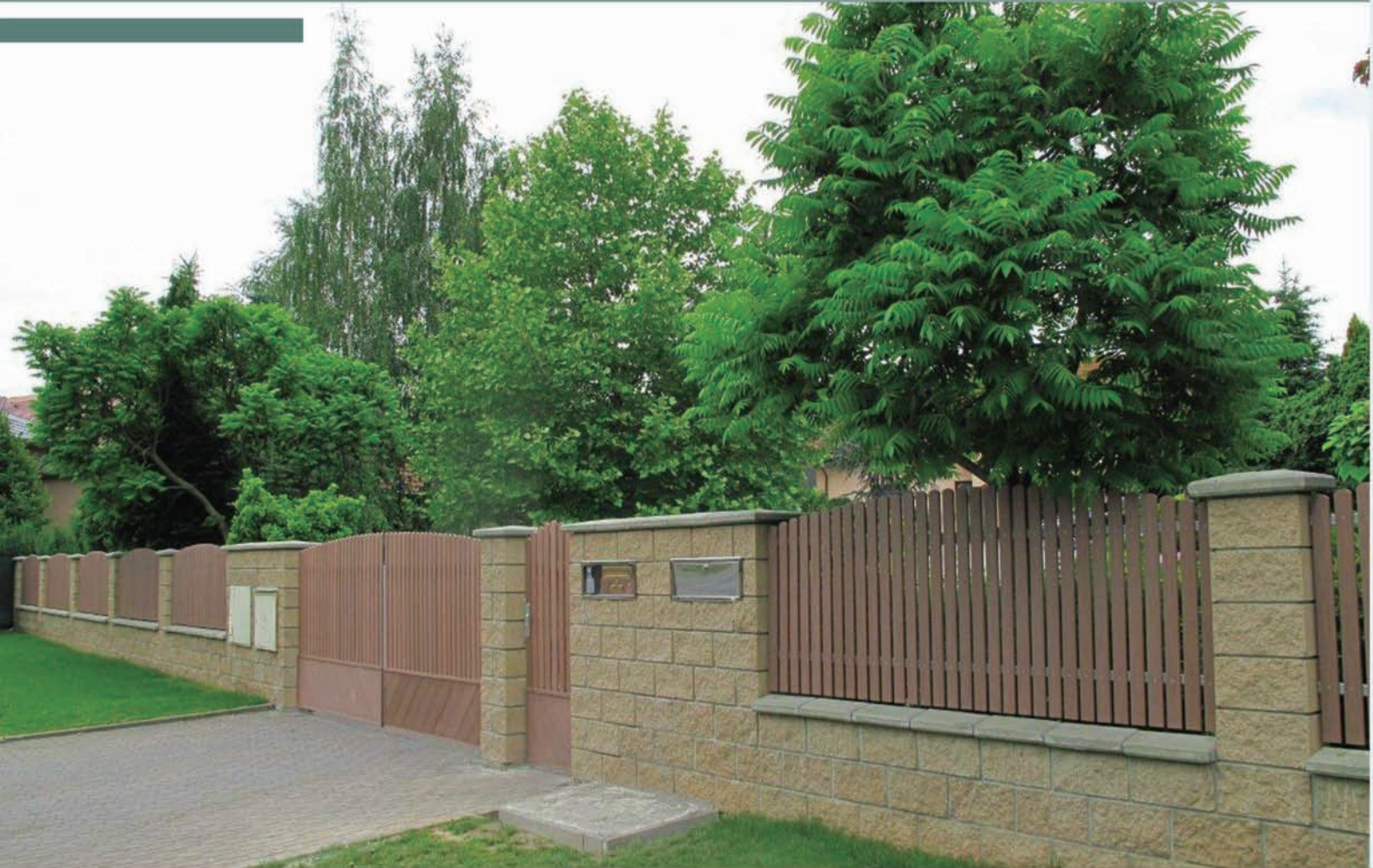


GuoFeng

WOOD&PLASTIC

Outdoor WPC Fence and Rail

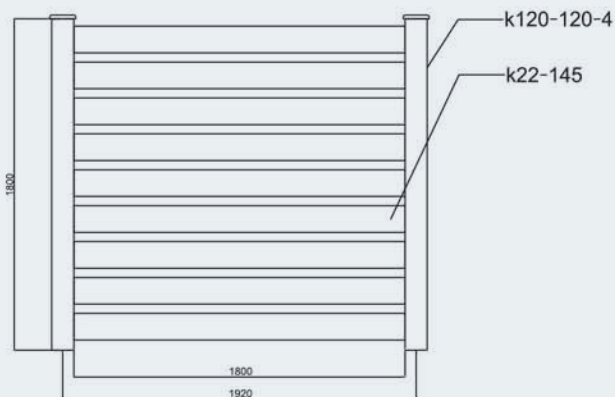
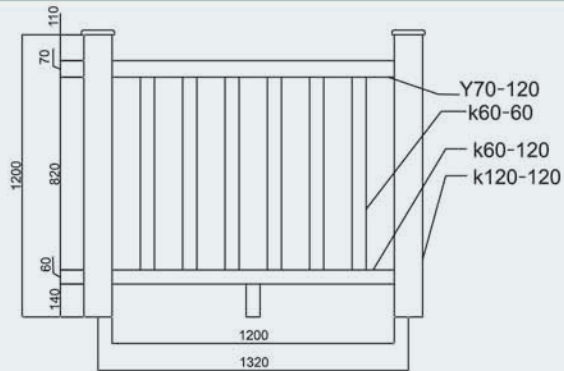
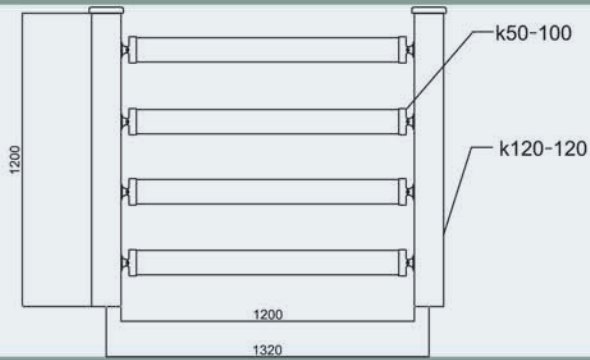
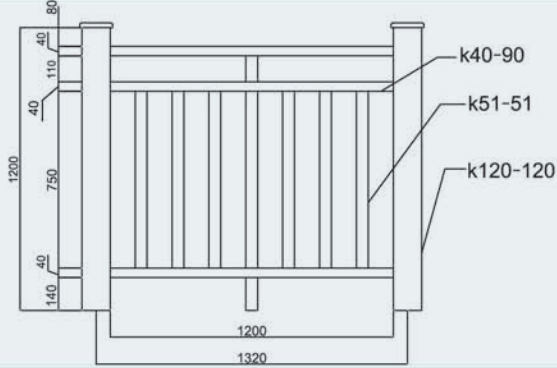
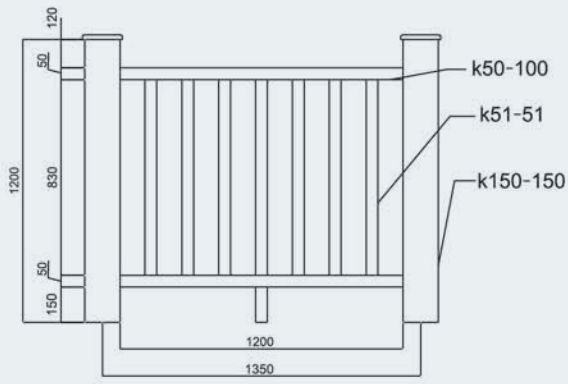


ANHUI GUOFENG WOOD-PLASTIC COMPOSITE CO.,LTD.

Add: No.32 Beijing Road, Baohe Industrial Park, Hefei, China.

Tel: 0086-551-63367628 Fax: 0086-551-63367573

E-mail:amy@guofeng-wpc.com www.guofeng-wpc.com






Wood-Plastic Composite (WPC) Fence and Rail Series

Item	Cross section	Picture	Item	Cross section	Picture
B12-71			K51-51		
B16-70			K60-60		
B16-100			K65-65		
K40-90			K70-70		
K45-96			K90-90		
K50-85			K101-101		
K50-100			K115-115		
Y55-75			K120-120-1		
K60-120			K120-120-3		
Y60-120			K120-120-4		
Y70-120			K140-140		
			K150-150		

Accessories

Picture	Item	Application
	GFP-001	For K120-120-1 Square steel size: 40*40*1.5mm
	GFP-002	For K90-90 Square steel size: 30*30*1.5mm
	GFP-003	For K200-200 Size: 200*114*2.2mm
	GFP-012	For GFP-001/ 002/ 003
	GFP-022	Angle code. Such as connecting WPC cap on the post
	GFP-023	Angle code Such as for connecting K90-90 and K120-120-1
	GFP-024	Angle code Such as for connecting K40-90, Y55-75 and K120-120-1/3
	GFP-026	Inner Connector for K30-51
	GFP-027	Inner Connector for K51-51
	GFP-028	Inner Connector for 50-85
	GFP-034	Outdoor Connector for K40-90
	GFP-035	Outdoor Connector for K40-90 (up and down adjusting)
	GFP-036	Outdoor Connector for K40-90 (right and left adjusting)

Picture	Item	Application
	GFP-037	Outdoor Connector for K50-100
	GFP-038	Outdoor Connector for K50-100 (adjusting)
	GFP-042	Post bottom cap

GuoFeng
WOOD&PLASTIC

