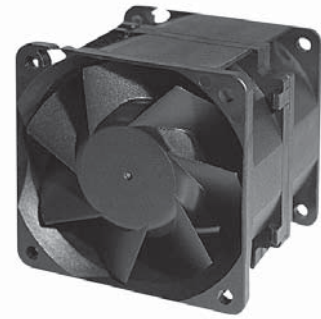


# 60x60x60 mm

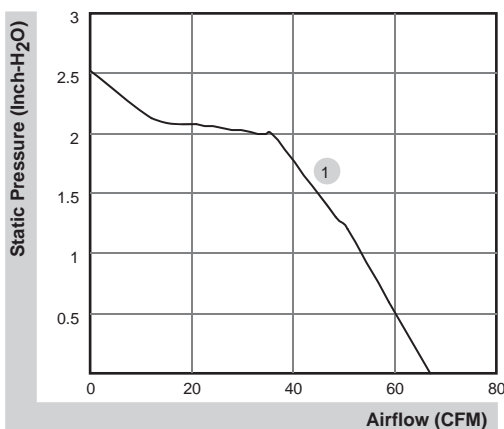
67.0 CFM



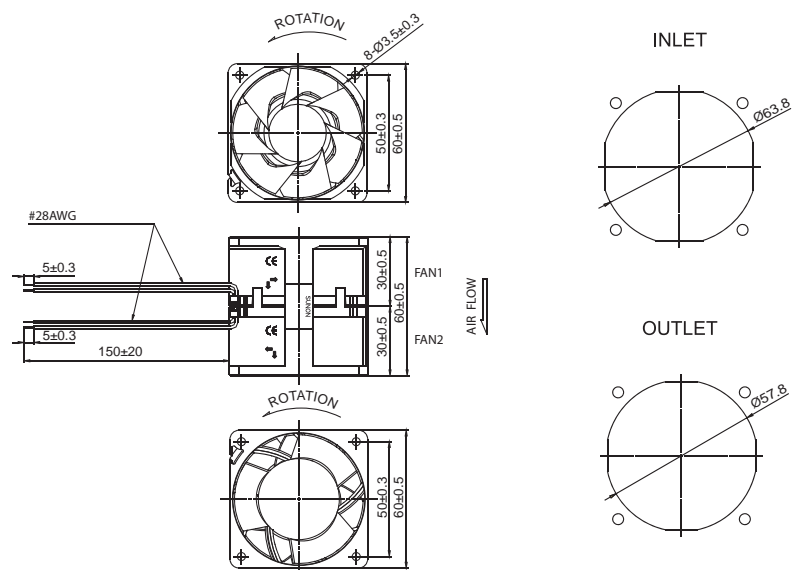
■ Specifications

Model	Bearing	Rating Voltage	Power Current	Power Consumption	Speed	Air Flow	Static Pressure	Noise	Weight	Curve
	2BALL Sleeve	(VDC)	(mA)	(WATTS)	(RPM)	(CFM)	(Inch-H <sub>2</sub> O)	(dB(A))	(g)	
PSD1206PWB1-A (2).Z.GN	☉	12	1690	20.3	11500/11000	67.0	2.53	66.3	203.0	1
PSD1206PWB1-A (2).Z.F.PWM.GN	☉	12	1690	20.3	11500/11000	67.0	2.53	66.3	203.0	1
PSD1206PWB1-A (2).Z.R.PWM.GN	☉	12	1690	20.3	11500/11000	67.0	2.53	66.3	203.0	1

■ Air Flow-Static Pressure Characteristics



■ External dimensions(mm)



\*All model could be customized. Please contact with Sunon Sales.

\*Specifications are subject to change without notice. Please Visit SUNON website at <http://www.sunon.com> for update information.

\*The product doesn't consider to " as Standard ".