

213fw-07 Tartan Bag



Suggested yarn:

- Pierrot Yarns Nordic [100% wool; 131 yds/120m per 2.82 oz./80g skein];
 - color #01 ivory, 1 skein [40g]
 - color #05 wine red, 1 skein [40g]
 - color #06 khaki, 1 skein [50g]
 - color #07 navy, 4 skeins [260g]

Tools/Notions:

- 4.5mm (US 7) double-pointed knitting needles or size necessary to achieve gauge
- 5.0mm (US H) crochet hook or size necessary to achieve gauge
- 1 magnetic snap
- fabric for lining, 71cm/27.95" by 48cm/18.90"
- cardboard or other stiff board, 8.5cm/3.35" by 37cm/14.57"

Finished measurements:

- mouth of bag circumference 92cm/36.22"
- depth 30cm/11.81"

Gauge (10cm/4" square):

- single crochet (US): 14.5 sts and 17.5 rows
- pattern stitch A: 15.5 sts and 24 rows
- pattern stitch B: 18 sts and 24 rows

Gauge may vary according to individual knitting style. Change needle size if necessary to achieve gauge. Alternatively, rework pattern with your own gauge measurements.

Knitting Tips

Bottom: Work foundation chain to begin. Work bottom in sc.

Sides: Side A: working into stitches around perimeter of bottom, work 6 rounds of sc. Side B: cast on with long-tail cast-on method, then work pattern stitch in the round, changing colors when indicated. Bind off in pattern. On purl side of side B, work slip stitch, then work sc edging around BO round and CO round, respectively.

Shoulder strap: Cast on with long-tail cast-on method, then work in pattern stitch B. Bind off in pattern. Join with slip stitch on purl side.

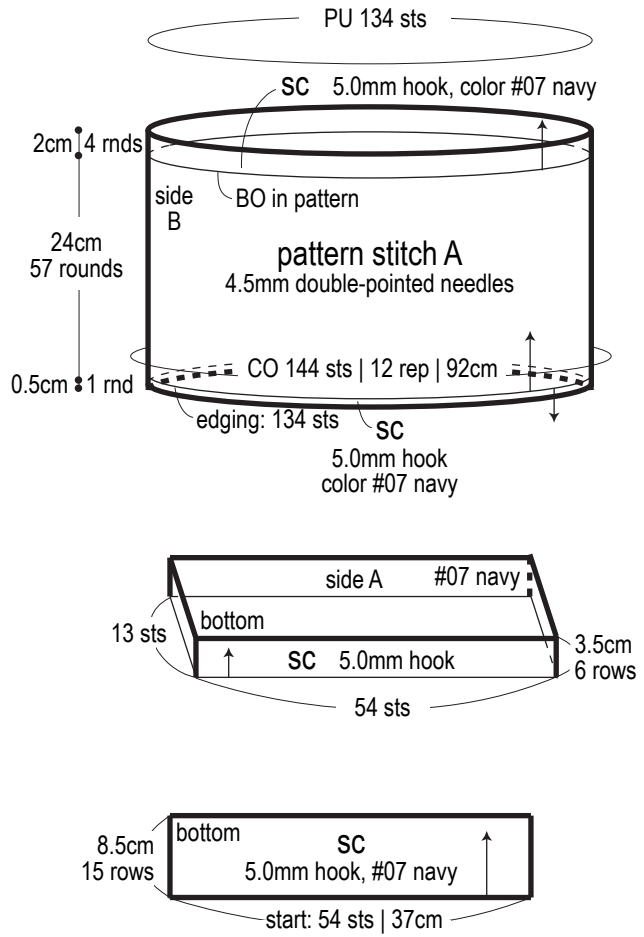
Flap: Cast on with long-tail cast-on method, then work in stockinette stitch. Bind off in pattern. Work edging along three sides. Sew side without edging to inside of bag. Sew magnetic snap to wrong side of flap and side B.

Finishing: With wrong sides facing each other, seam BO edge of side A to CO edge of side B by working whipstitch through sc edge stitches. Sew shoulder strap to body of bag where indicated. Sew lining, then insert into bag and sew in place. Insert cardboard piece into bottom of bag.

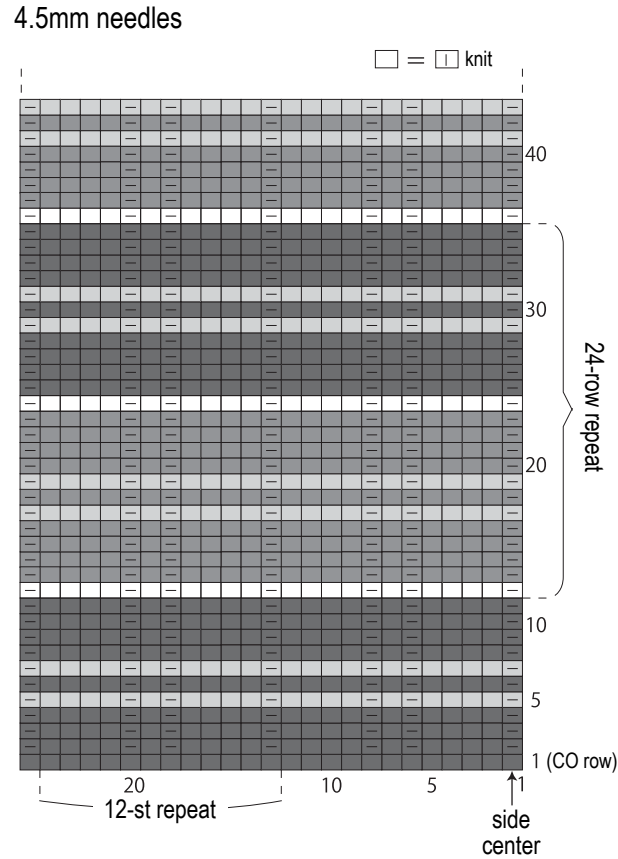
Abbreviations:

BO = bind off CO = cast on k = knit stitch PU = pick up RE = row(s) even rnd(s) = round(s) sc = single crochet (US) WS = wrong side
#-#-# = rows-stitches-times

Body of bag

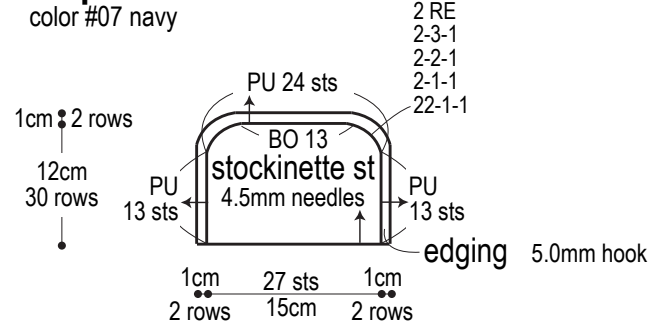


Pattern stitch A

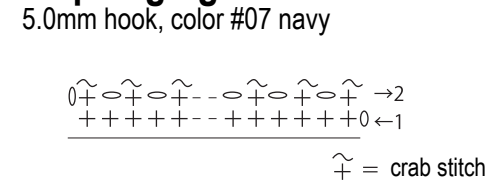


- = #01 ivory
- = #06 khaki
- ◻ = #05 wine red
- = #07 navy

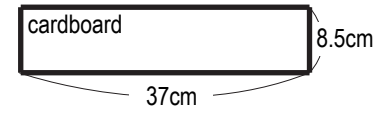
Flap

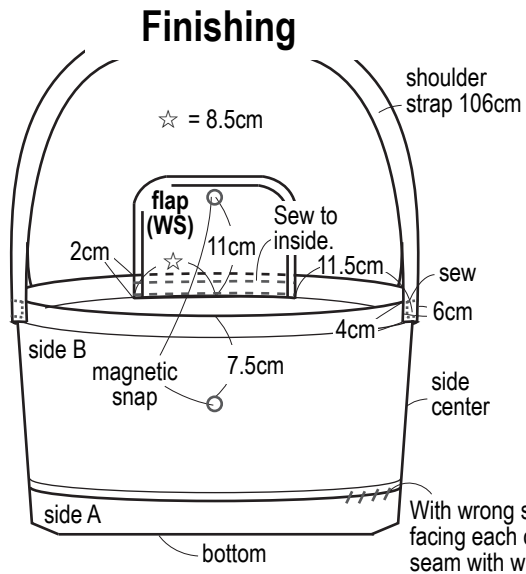


Flap edging

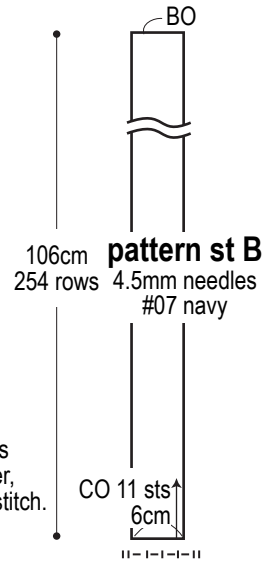


Cardboard bottom piece

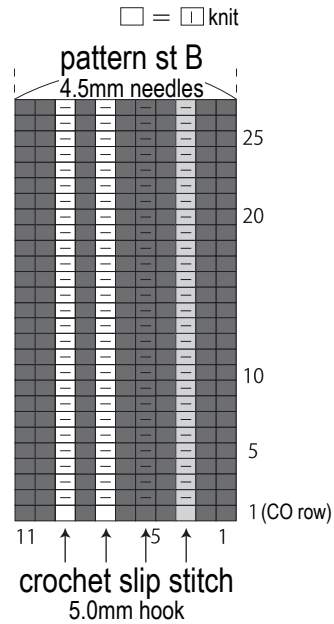




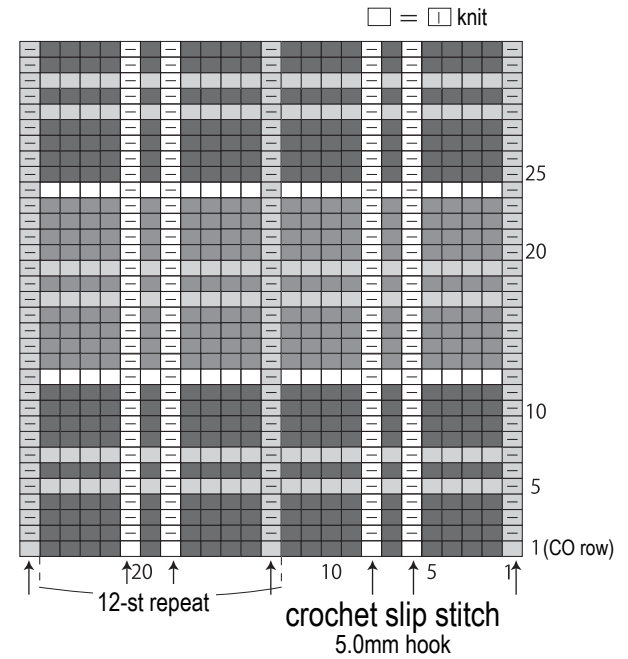
Shoulder strap



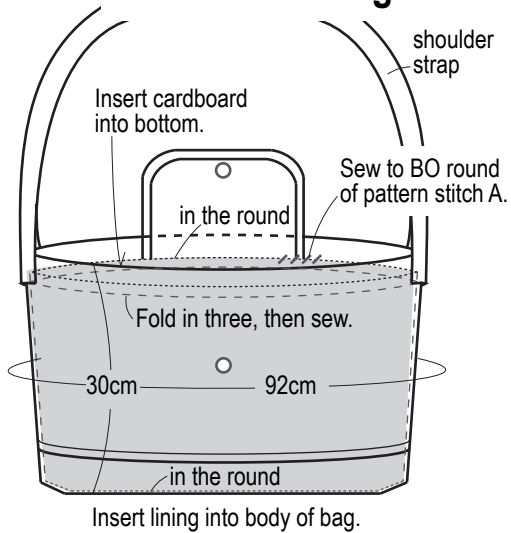
Strap instructions



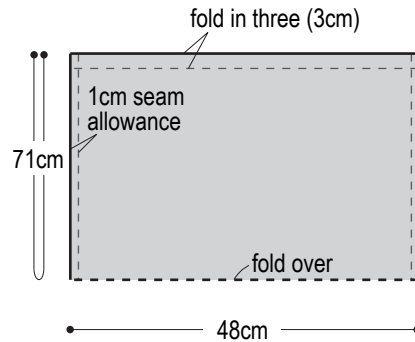
Slip stitch stripe color sequence



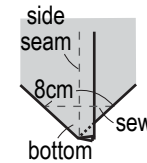
How to secure lining



Lining



Bottom gusset



Slip stitch

5.0mm hook



Use this QR code on your smartphone to view a video about how to work the stripes in crochet slip stitch.

※To view on computer, search on the Pierrot Yarns website instead.

検索