

# 218w-09 Rollo Tote Bag



## Suggested yarn:

- Pierrot Yarns Basic Bulky [100% merino wool; 49 yds/45m per 1.4 oz./40g skein]; color #32 natural, 5 skeins [170g]
- Pierrot Yarns Rollo [90% merino wool, 10% nylon; 27 yds/25m per 1.4 oz./40g skein]; color #03 painter, 5 skeins [180g]

## Tools/Notions:

- 8.0mm (US 11) knitting needles or size necessary to achieve gauge
- 7.0mm (between US K & L) crochet hook or size necessary to achieve gauge

## Finished measurements:

- width 35cm/13.8"
- depth (excluding handles) 29.5cm/11.6"
- gusset depth (width sideways) 12cm/4.7"

## Gauge (10cm/4" square):

- pattern stitch A: 9.5 sts and 17 rows

*Gauge may vary according to individual knitting style. Change needle size if necessary to achieve gauge. Alternatively, rework pattern with your own gauge measurements.*

## Summary

✳️**Note:** When using Basic Bulky, work with 2 strands of yarn held together.

**Side & gusset:** Cast on with long-tail cast-on method. Work in pattern stitch A. Bind off in pattern. Make second piece identical to the first. Seam the two pieces together with mattress stitch, forming a loop.

**Bottom:** Cast on with long-tail cast-on method. Work in pattern stitch A. Bind off in pattern.

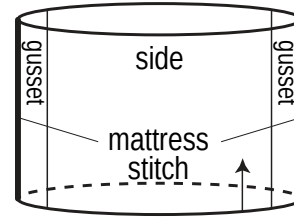
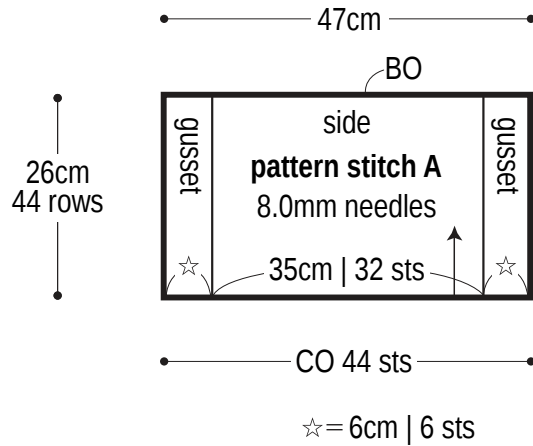
**Handle (make 2):** Work pattern stitch B in the round along mouth of bag (sides & gussets). Work slip stitch around inner edge of handles in the round.

**Finishing:** With right sides facing each other, seam bottom to side/gusset piece using slip stitch with the bottom facing you as you work.

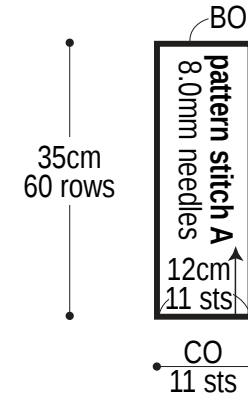
## Abbreviations:

BO = bind off      ch = chain stitch      CO = cast on

## Side & gusset (make 2)

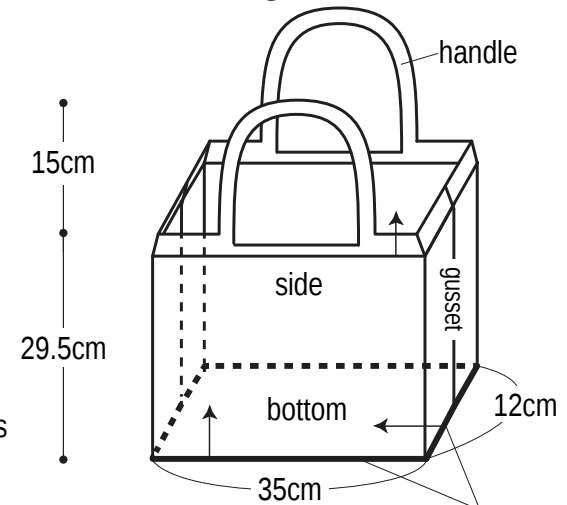
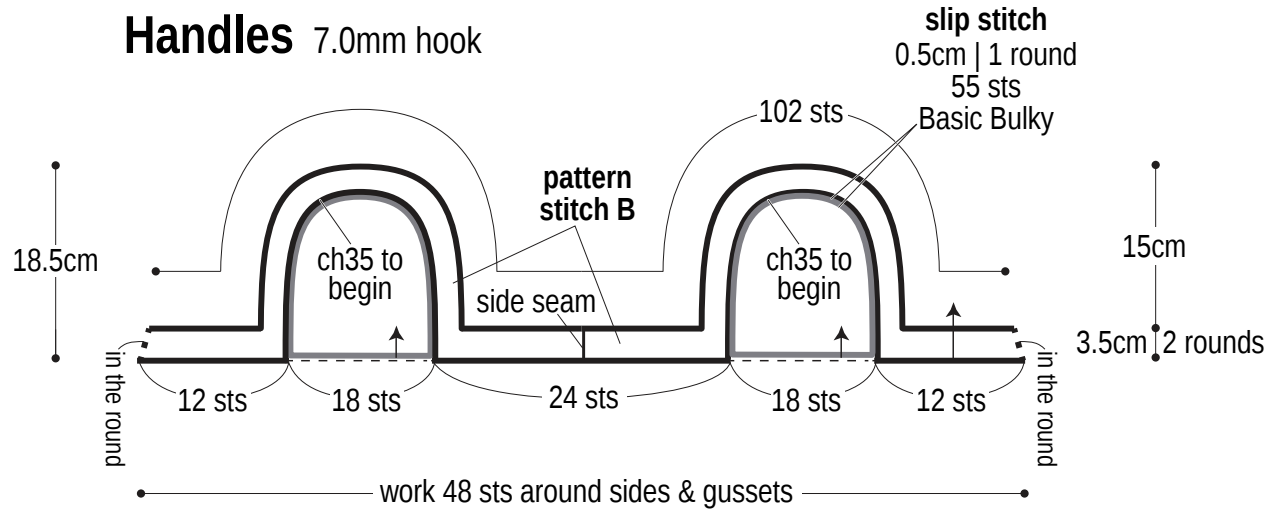


## Bottom



✳️Refer to charts for the color changes in pattern stitches A & B.

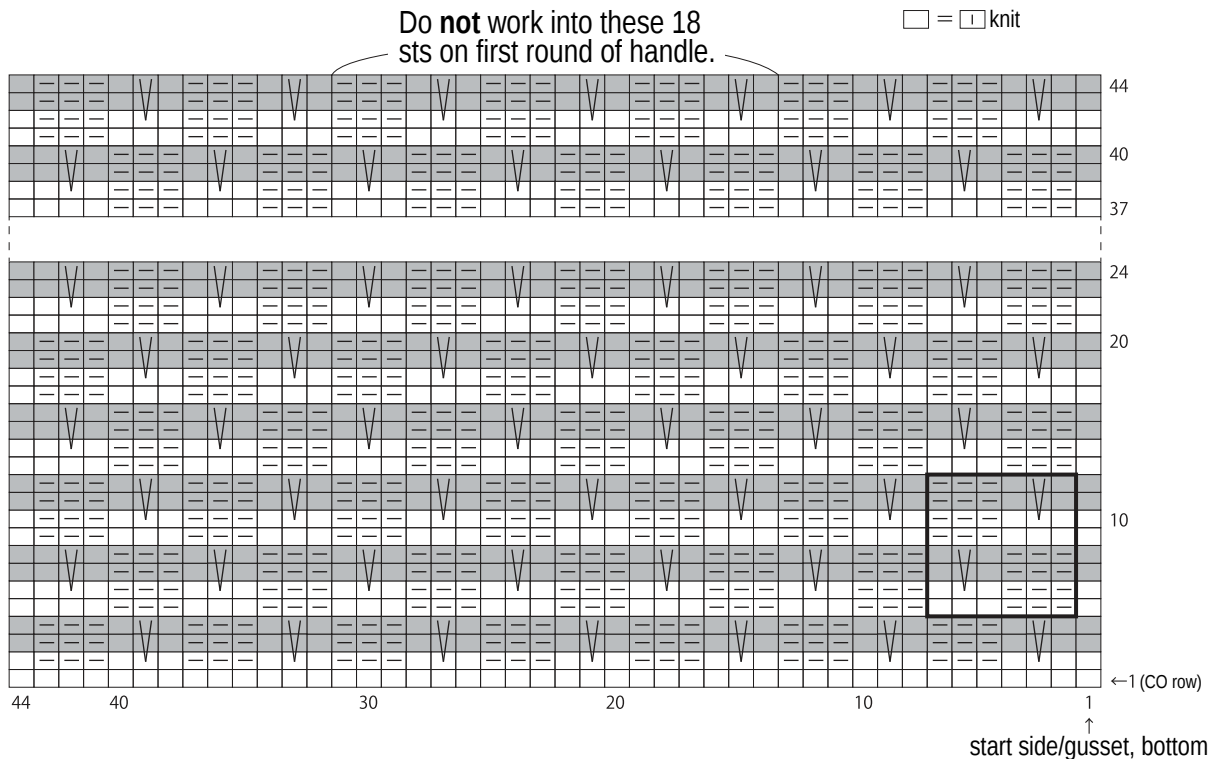
## Finishing







With right sides facing each other, seam bottom to side/gusset piece with slip stitch using Basic Bulky.

# Pattern stitch A

\*Bind off using Basic Bulky.



-  = slip stitch
-  = Basic Bulky (2 strands)
-  = Rollo
-  = 1 repeat (6 sts & 8 rows)

# Handles

