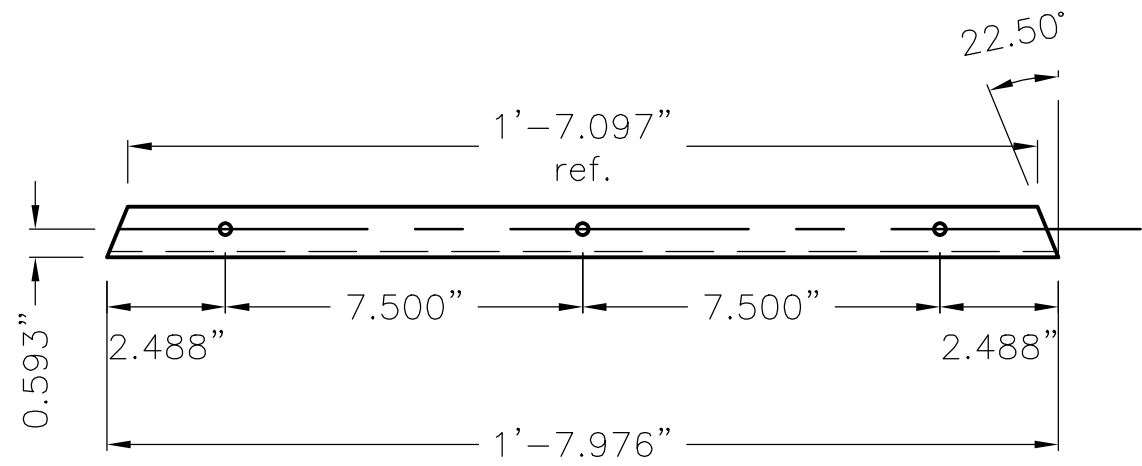
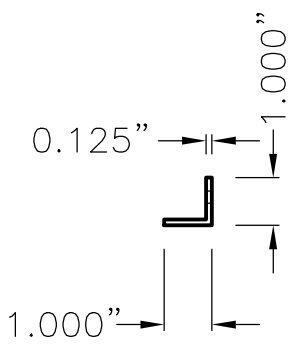




REVISIONS				
ZONE	REV	DESCRIPTION	DATE	APPROVED



FIRST
 200 Bedford Street, Manchester, N H. 03101
 (603) 666-3906 ♦ FAX (603) 666-3907

ENGINEER	DATE
DRAWN	DATE
JRR	12/10/01
CHECKED	DATE
APPROVED	DATE
ISSUED	DATE

TITLE	GOAL EDGE PIECE		
SIZE	CLASS ID.	DRAWING NO.	REV.
		A01-0002-01-01	-
SCALE	1:4	SHEET	1 of 1

