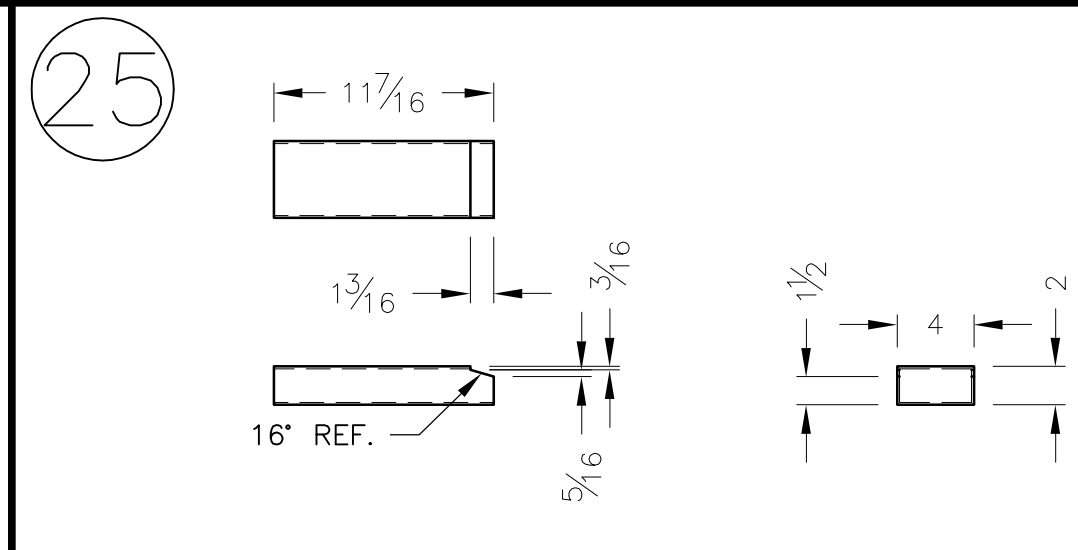
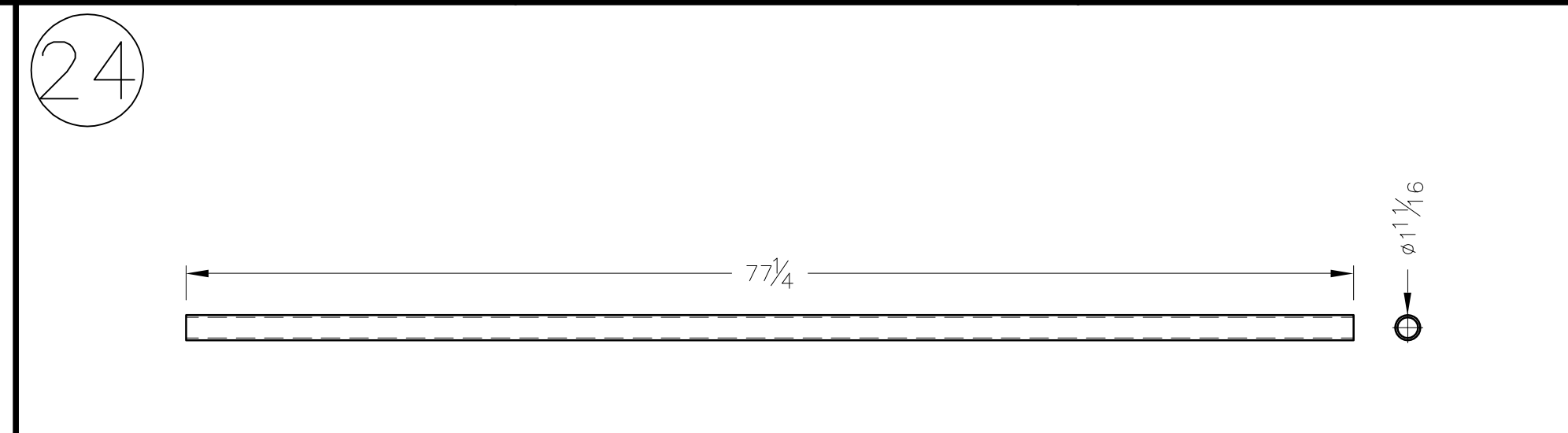
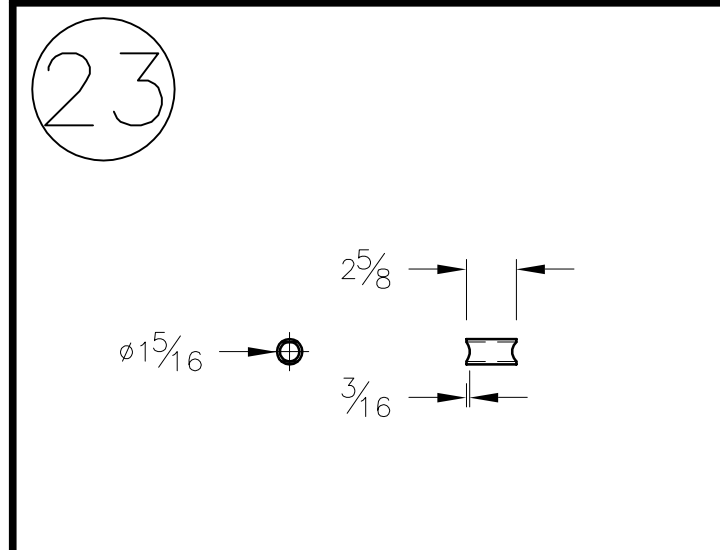
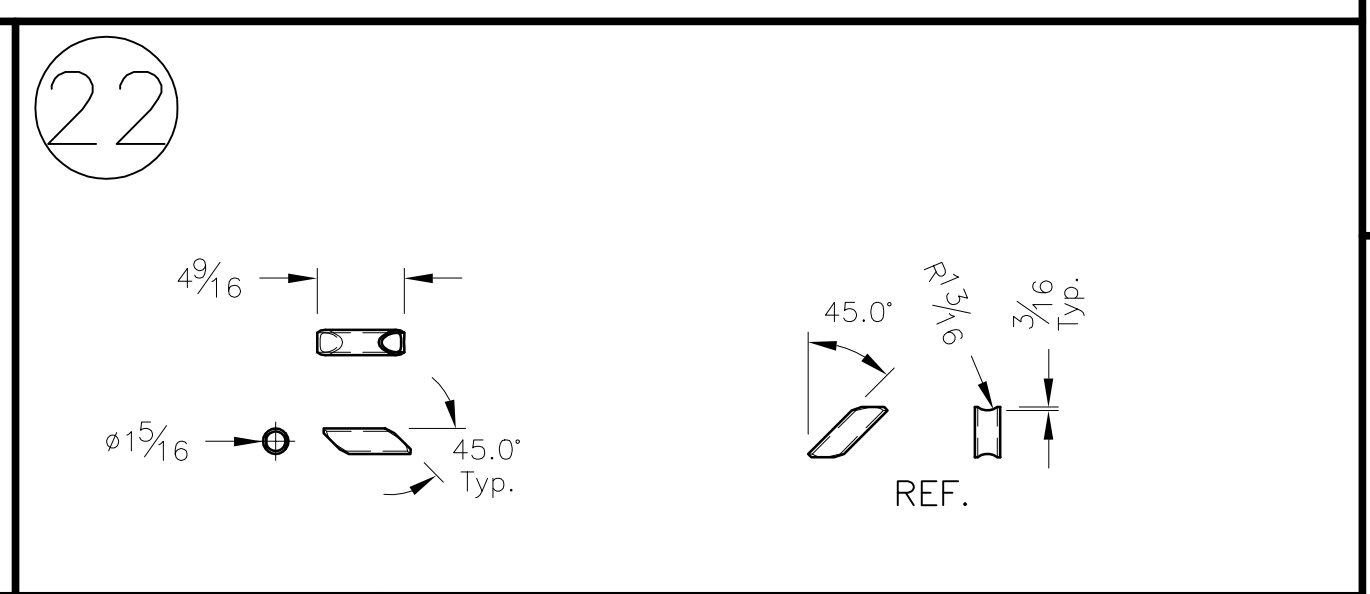
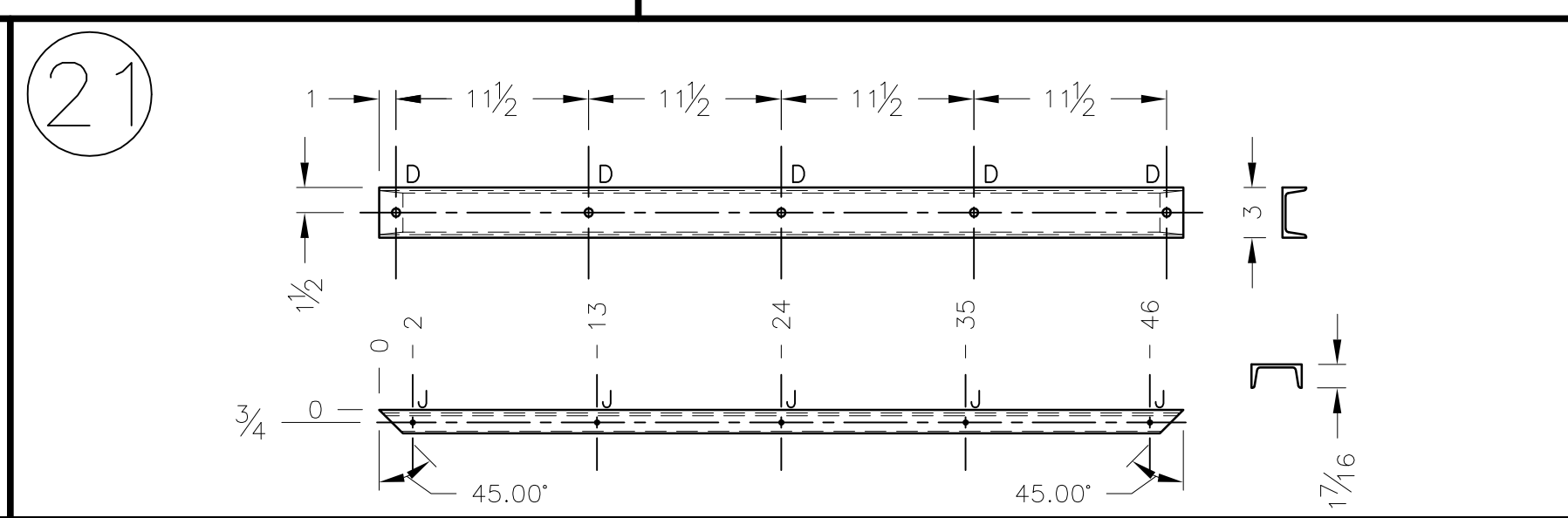
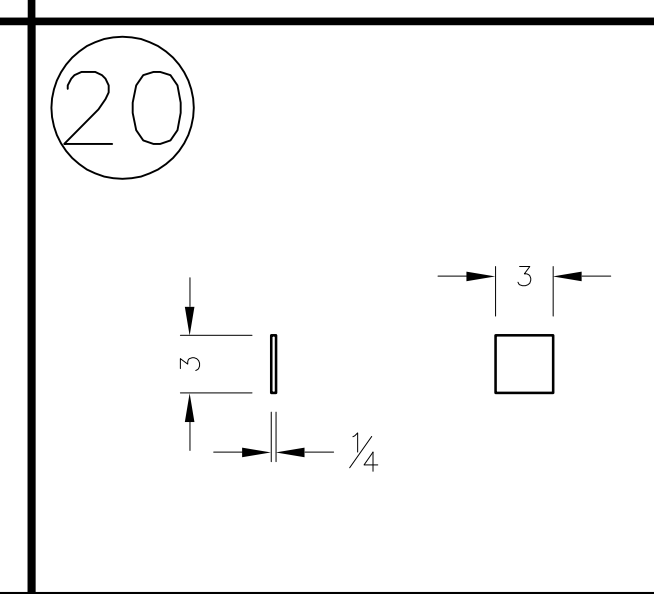
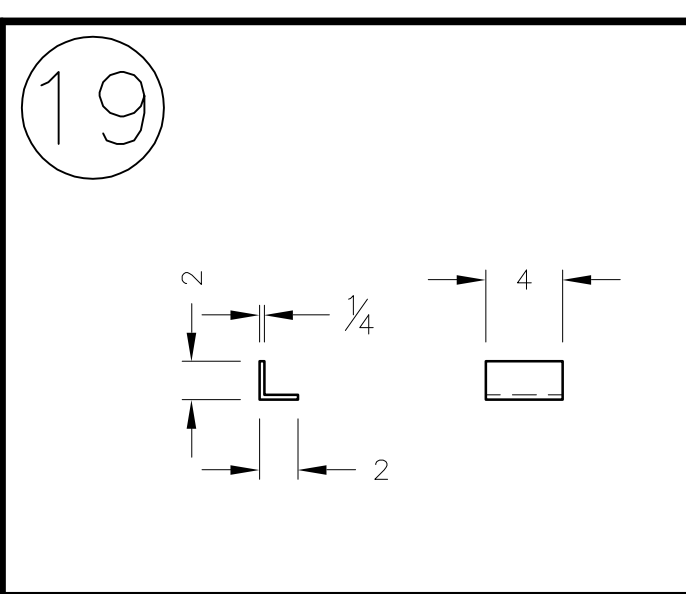
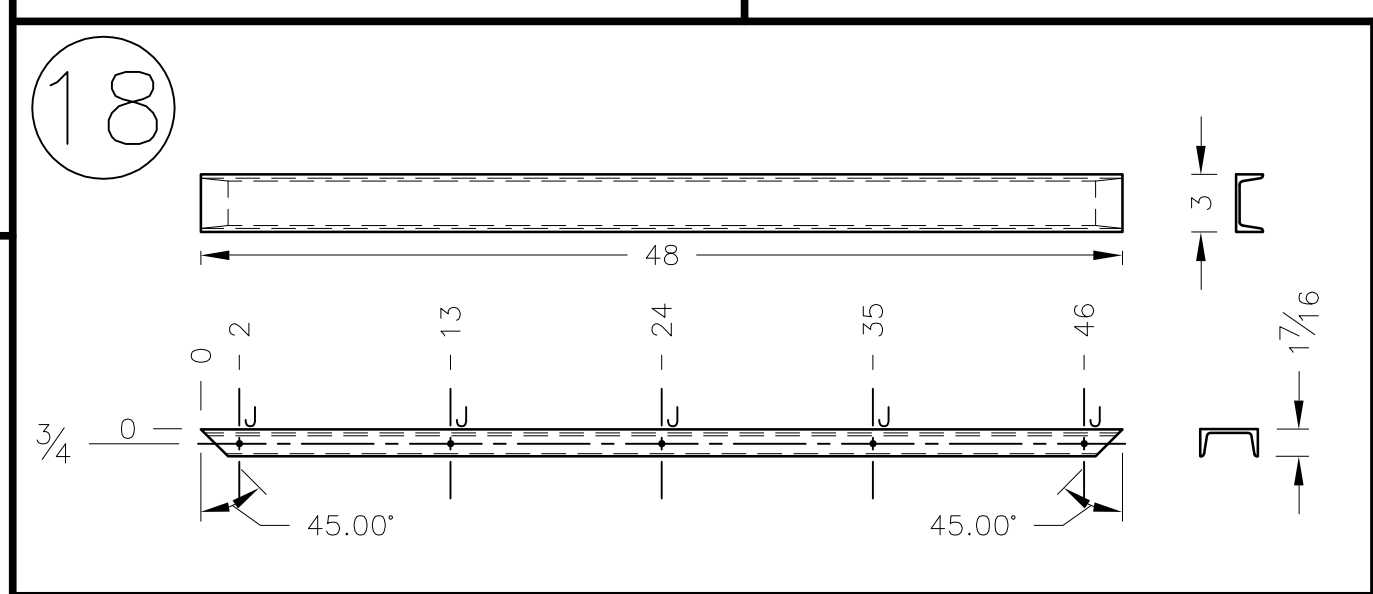
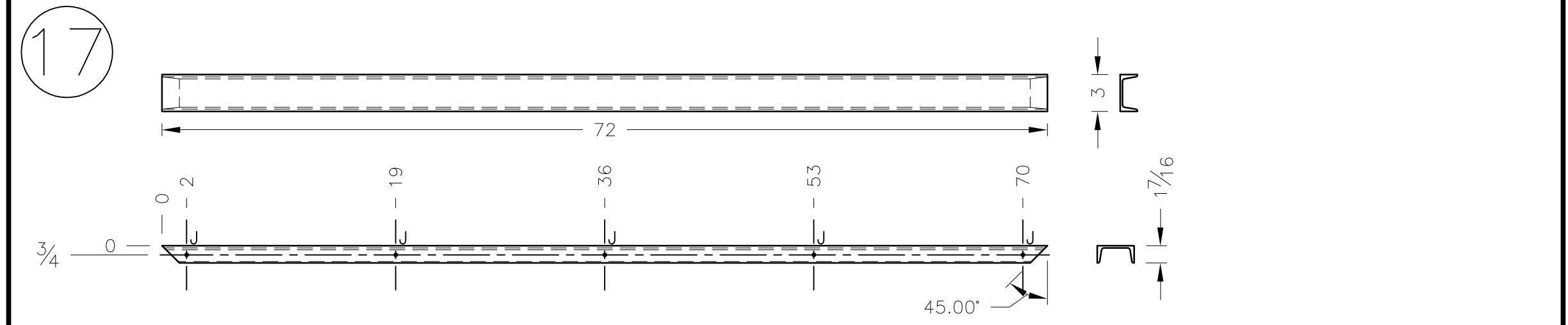
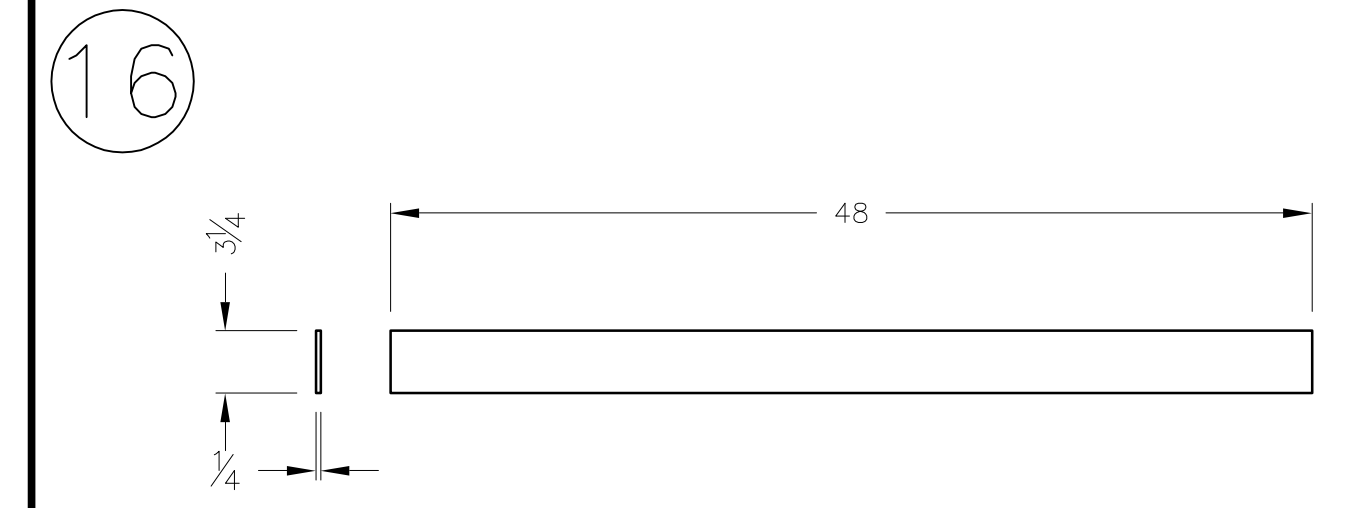
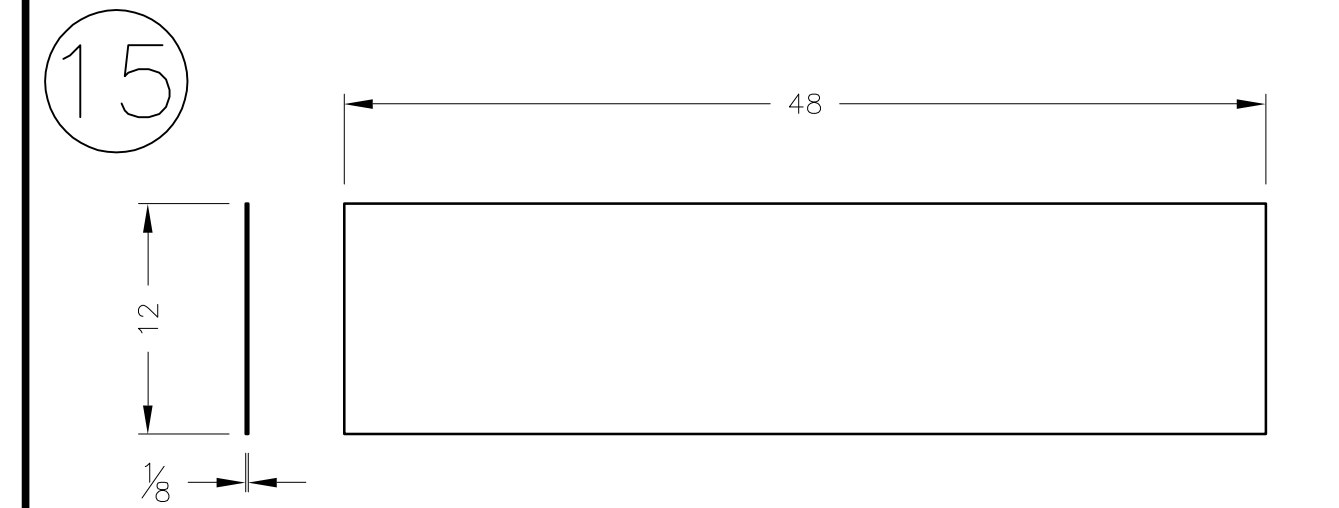
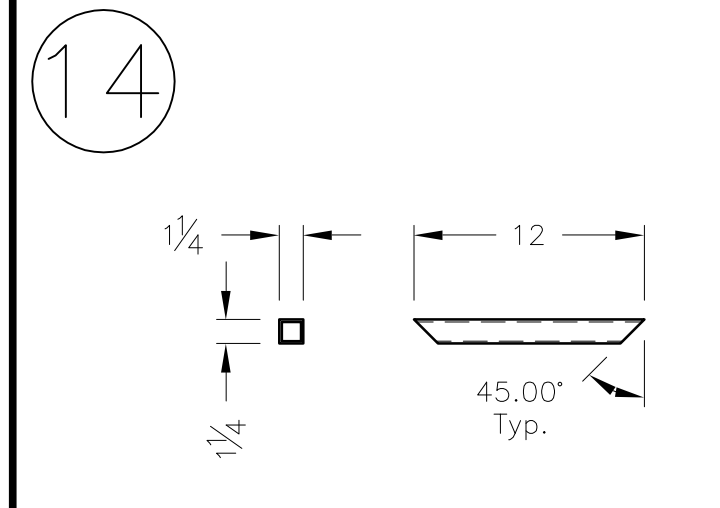
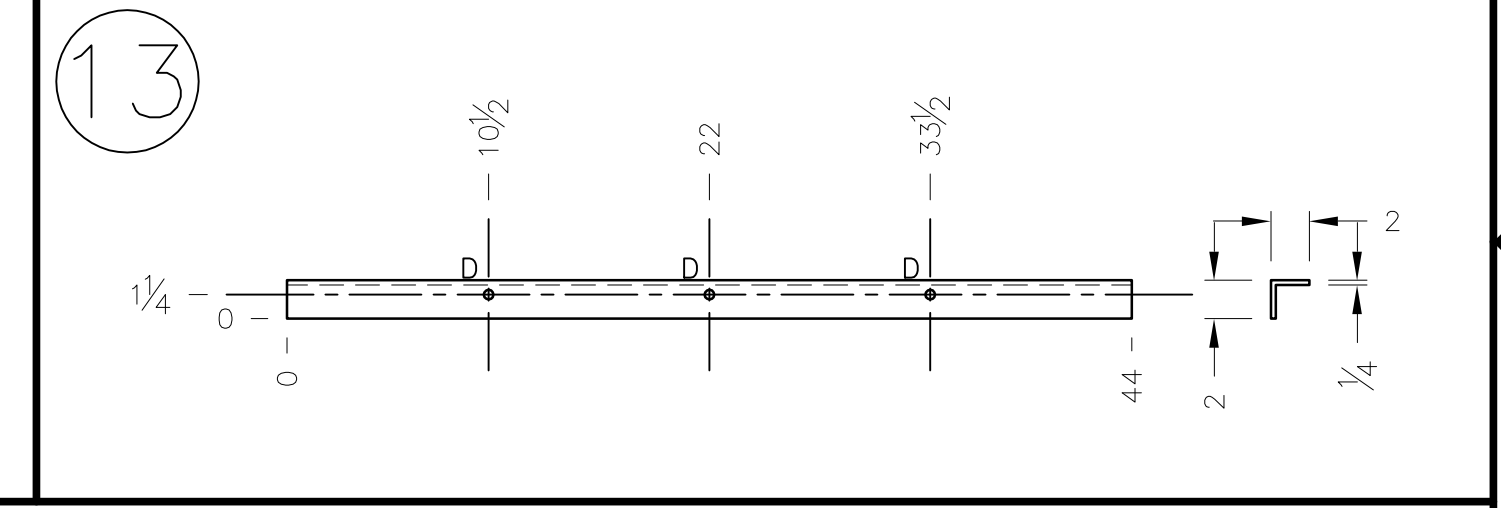
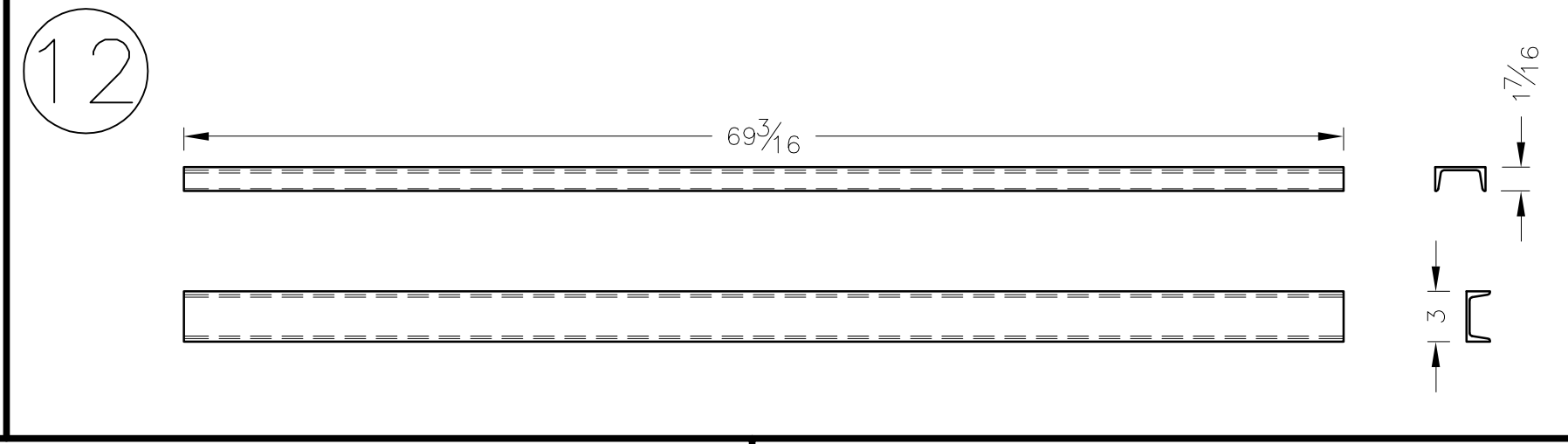
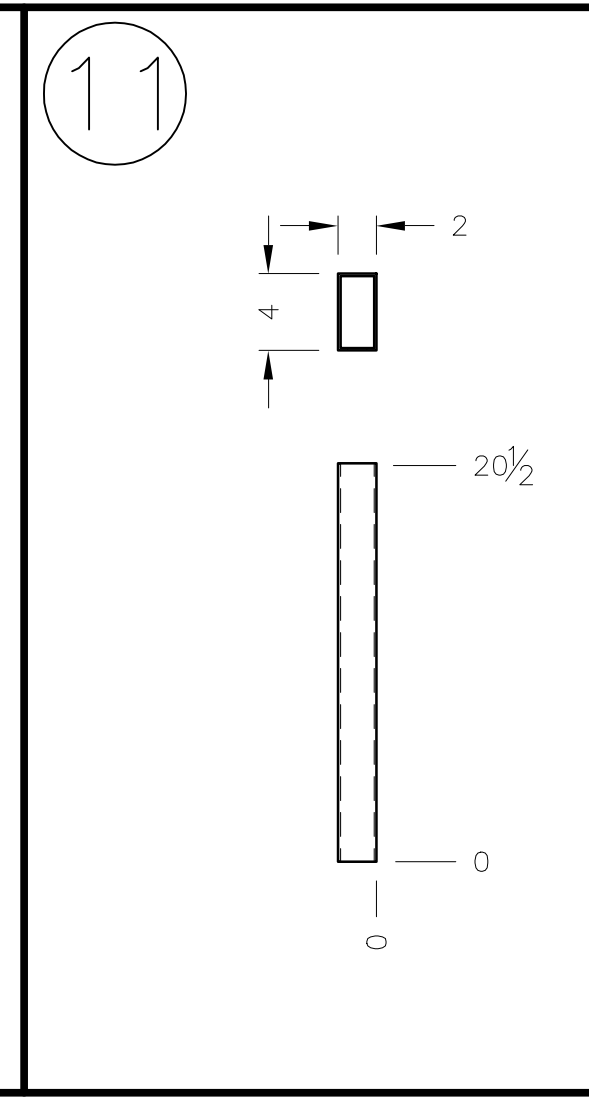
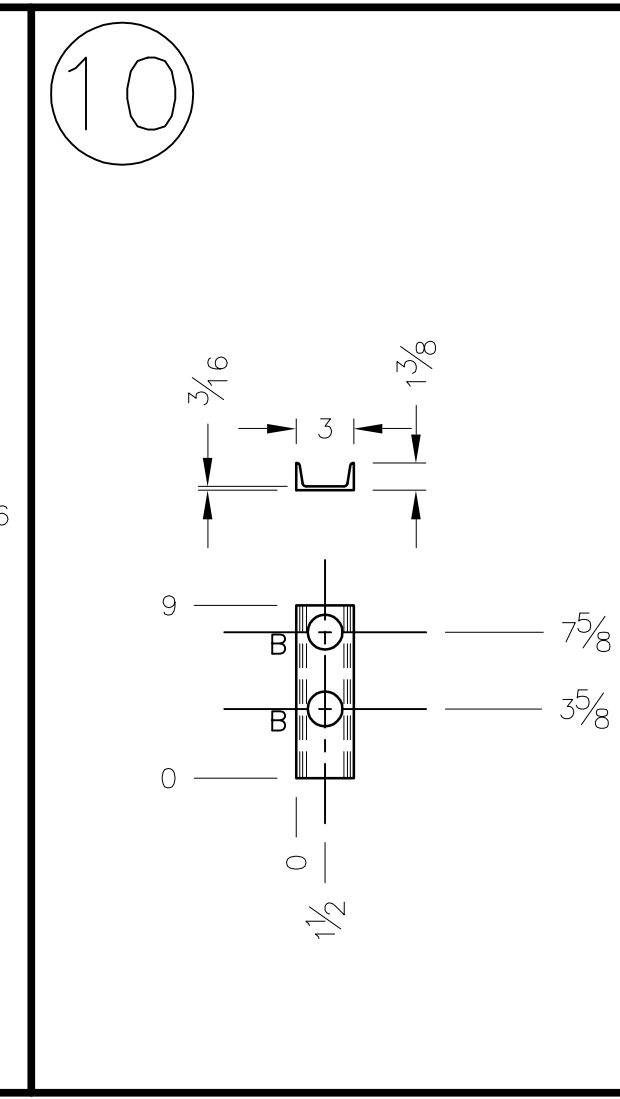
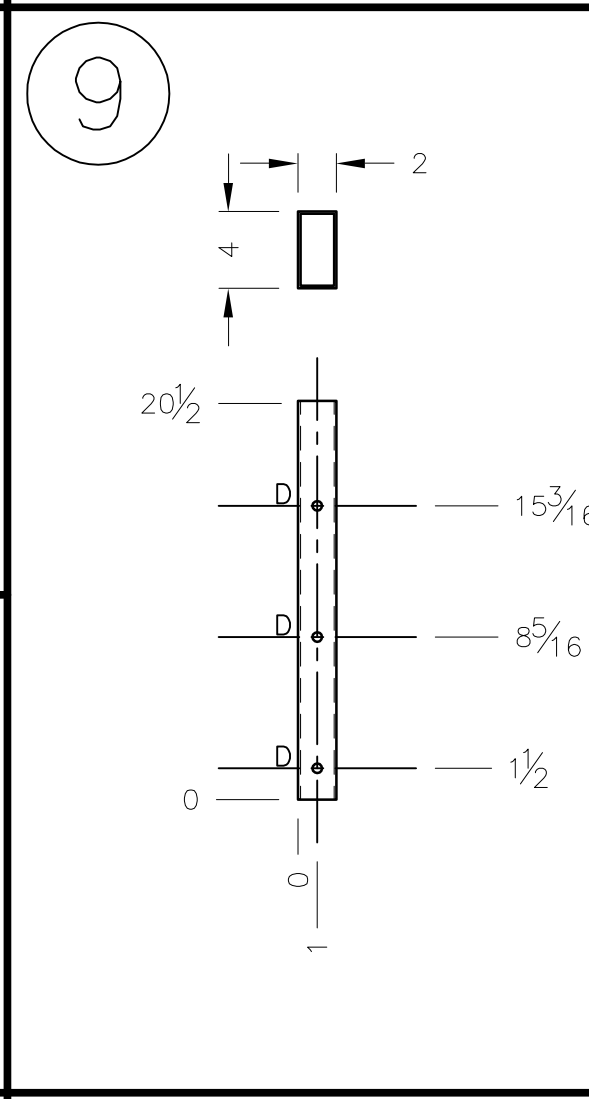
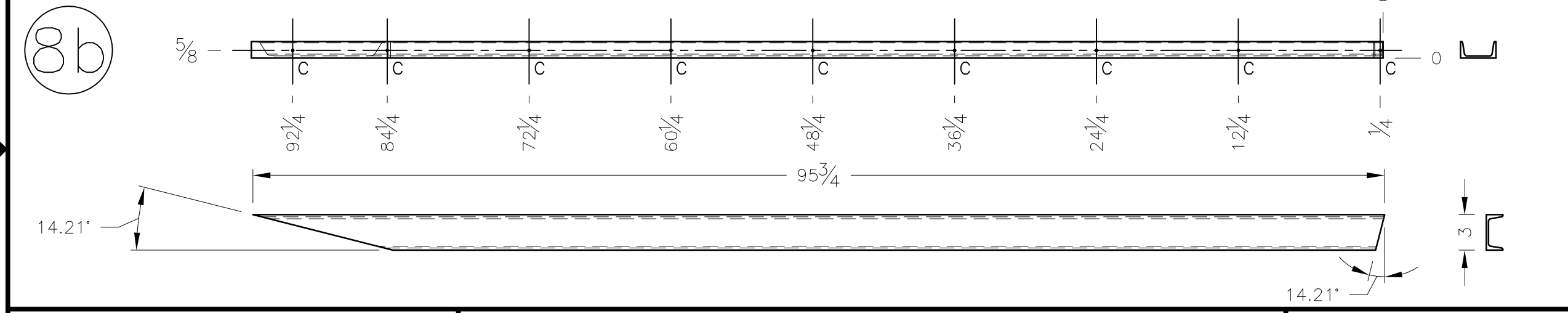
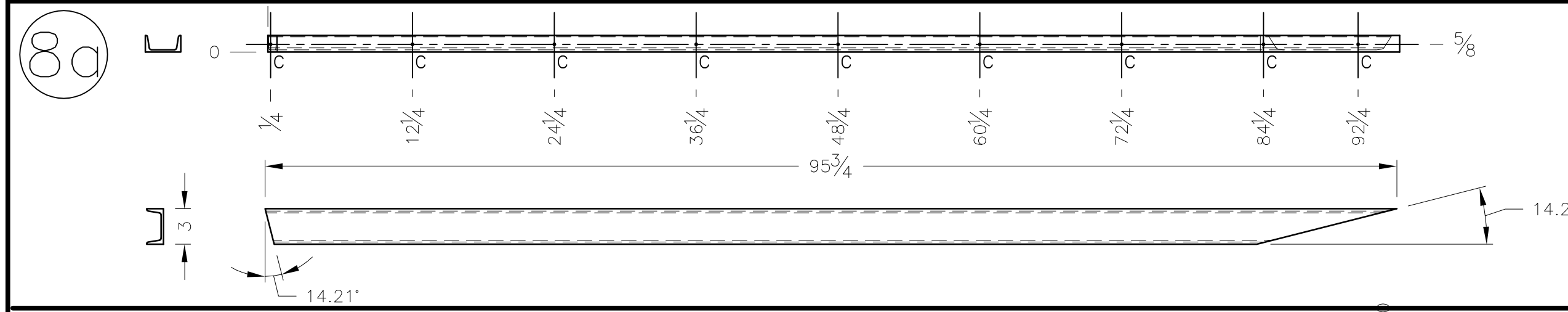
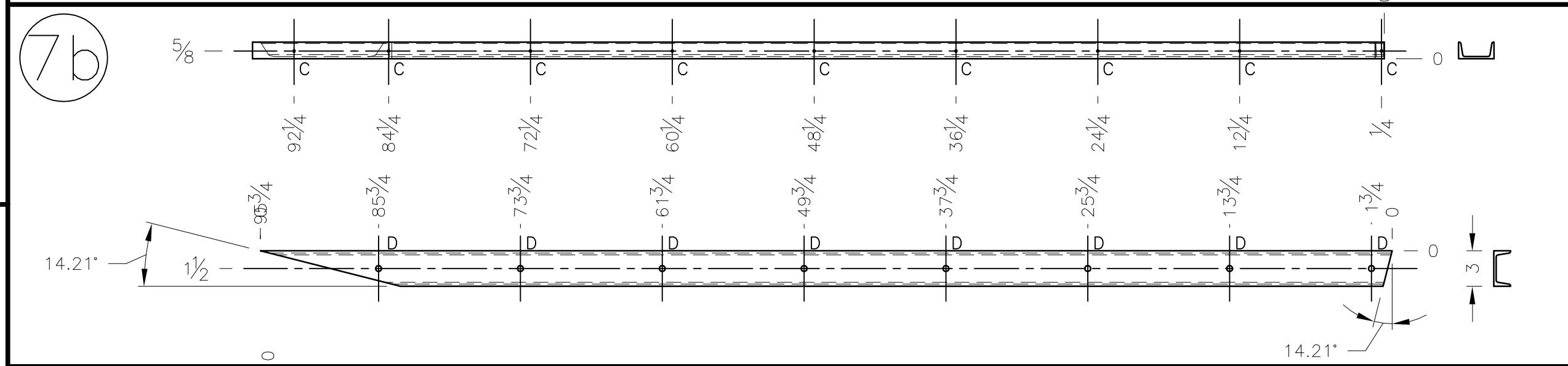
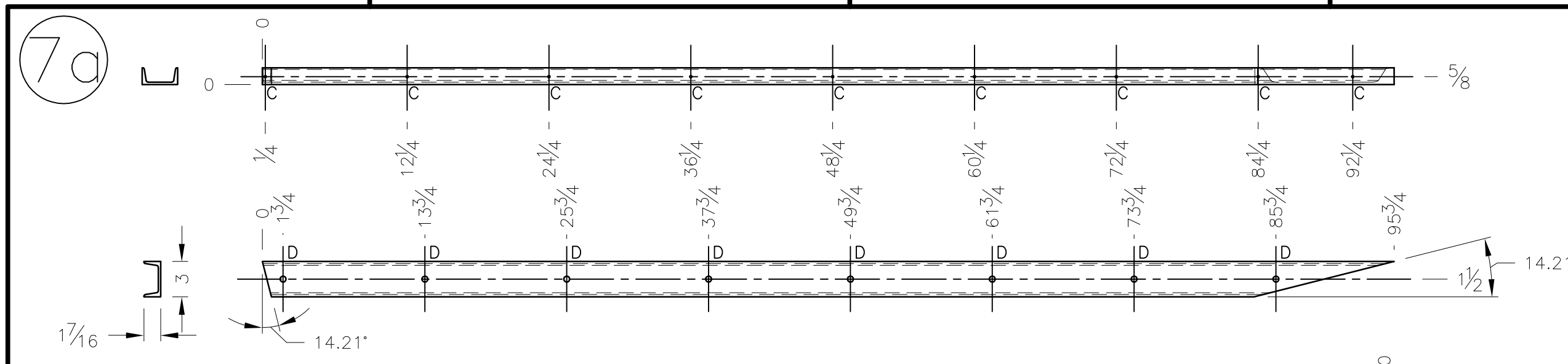


REVISIONS			
REV.	DESCRIPTION	DATE	APPROVED



ENGINEER		DATE	TITLE
RON RIOUX		12/02	2003 FIELD COMPONENTS PARTS FABRICATION-2
DRAWN		DATE	
JRR		01/17/03	
CHECKED		DATE	
APPROVED		DATE	SIZE CLASS ID.
ISSUED		DATE	D AS
SCALE		1:10	DRAWING NO. D01-0004
SHEET		3 of 5	REV. -

FIRST
200 Bedford Street, Manchester, N.H. 03101
(603) 666-3906 • FAX (603) 666-3907