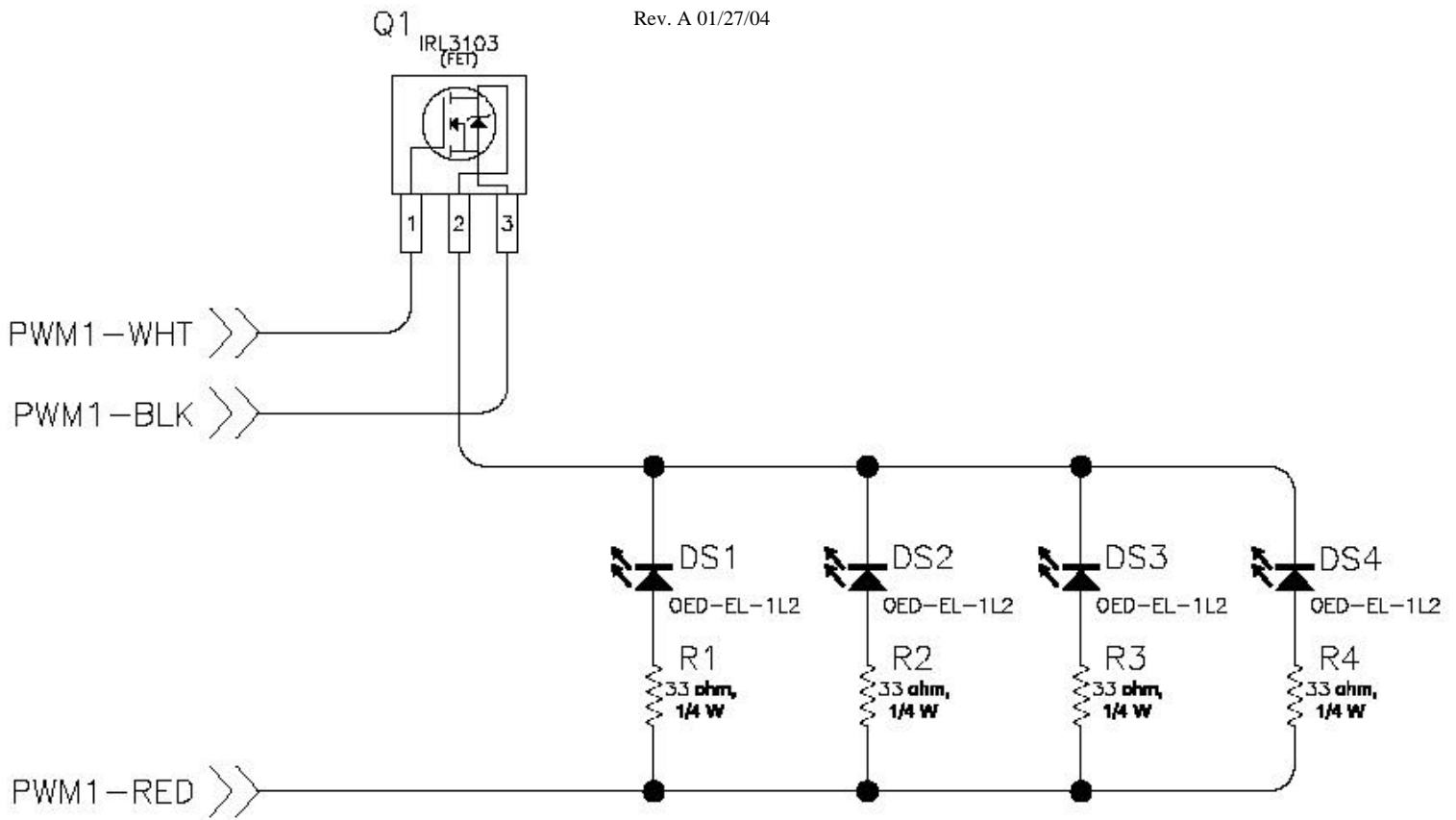


# FIRST INFRARED BEACON

Rev. A 01/27/04

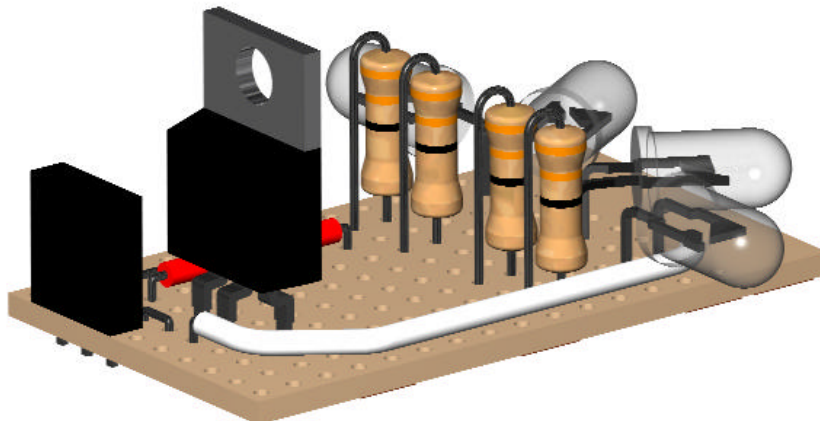


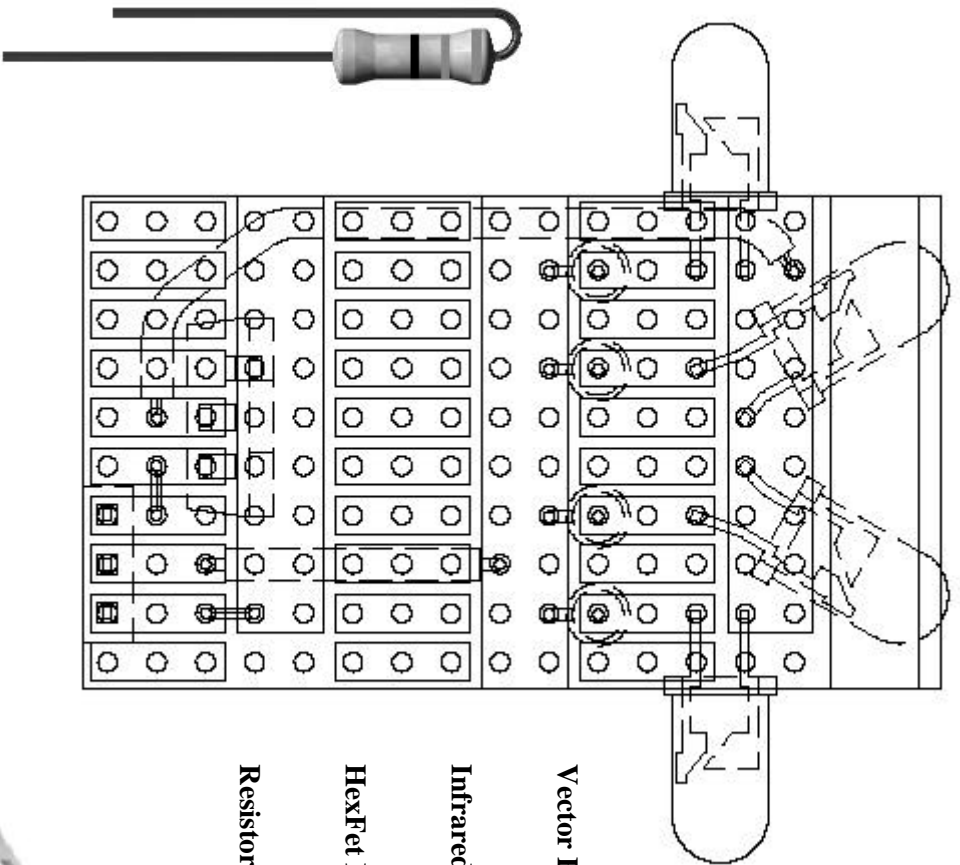
The Infrared, (IR), beacon circuit documentation and parts supplied in the Kit of Parts are for use with the EDU controller. The Transmitter code and basic tracking code along with the documentation and theory of operation are available for download at:

<http://www.innovationfirst.com/FIRSTRobotics/documentation.htm>.

With the supplied code the EDU controller will transmit the signals for the Beacons through the PWM1 and PWM2 ports.

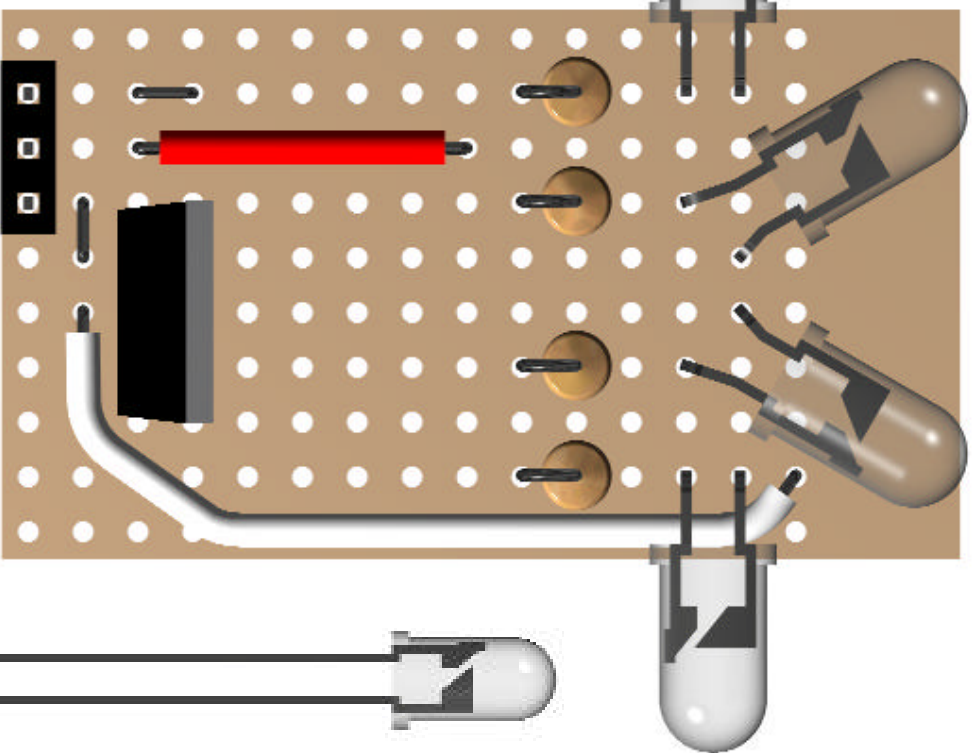
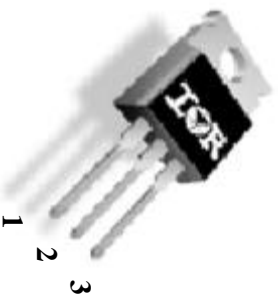
The Beacon, Transmitter Code and Photo-detector modules are provided to you as a means to develop and implement an Infrared tracking system for use on your Robot in the 2004 competition and beyond.





**BOTTOM VIEW**

- Vector Board-  
8001
- Infrared emitter-  
EOD-EL-1L2
- HexFet Driver-  
IRL3103
- Resistor-  
33 Ohm 1/2W



**TOP VIEW**