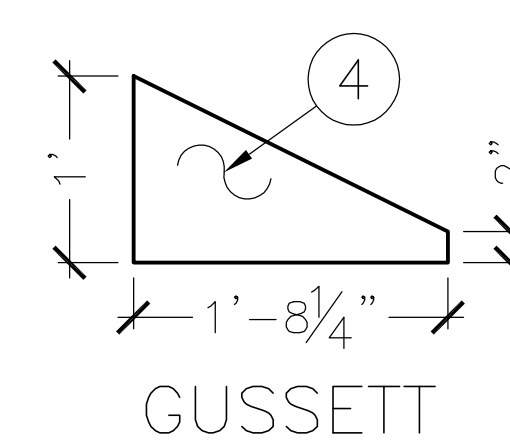
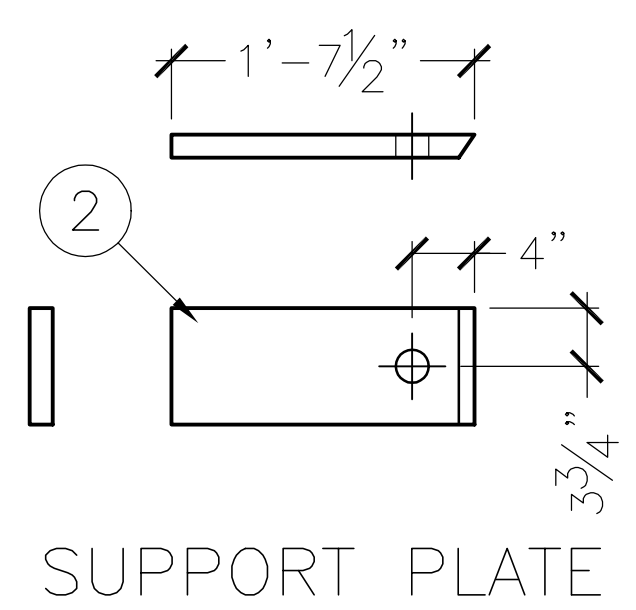
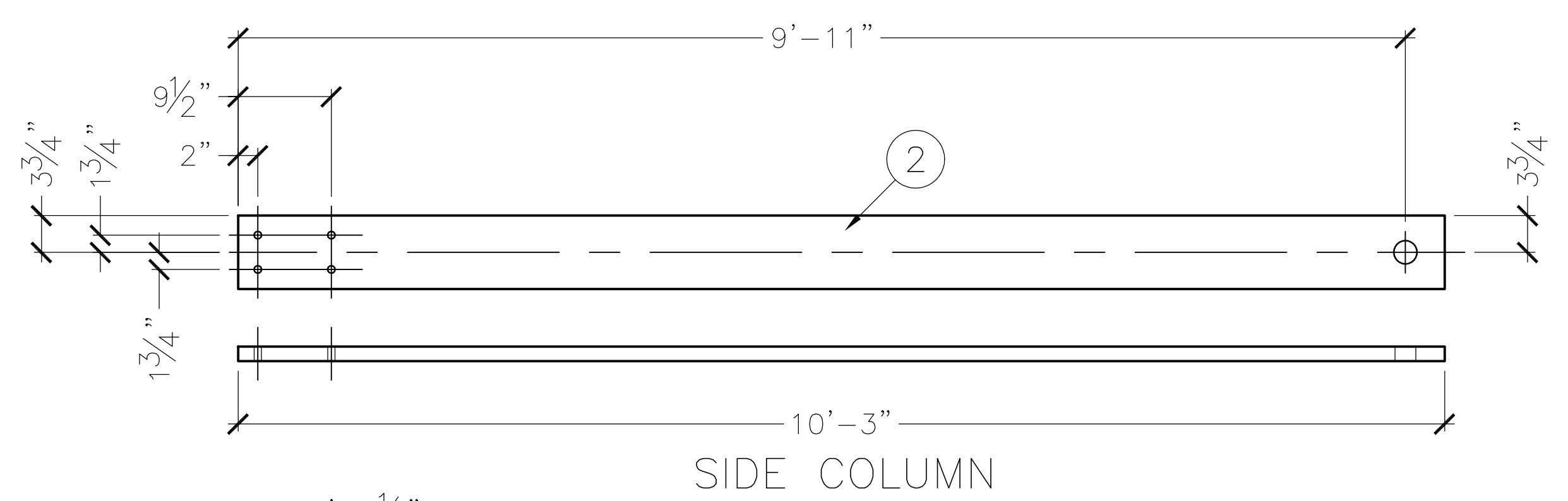
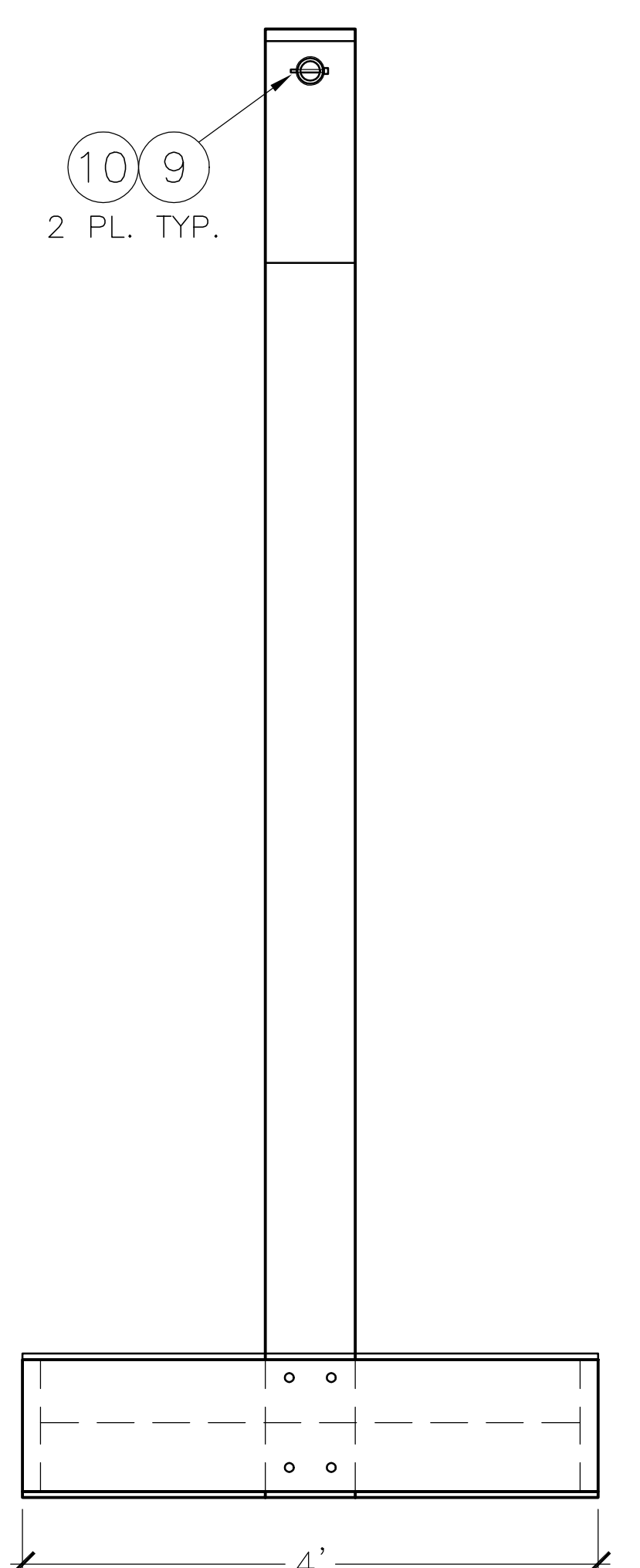
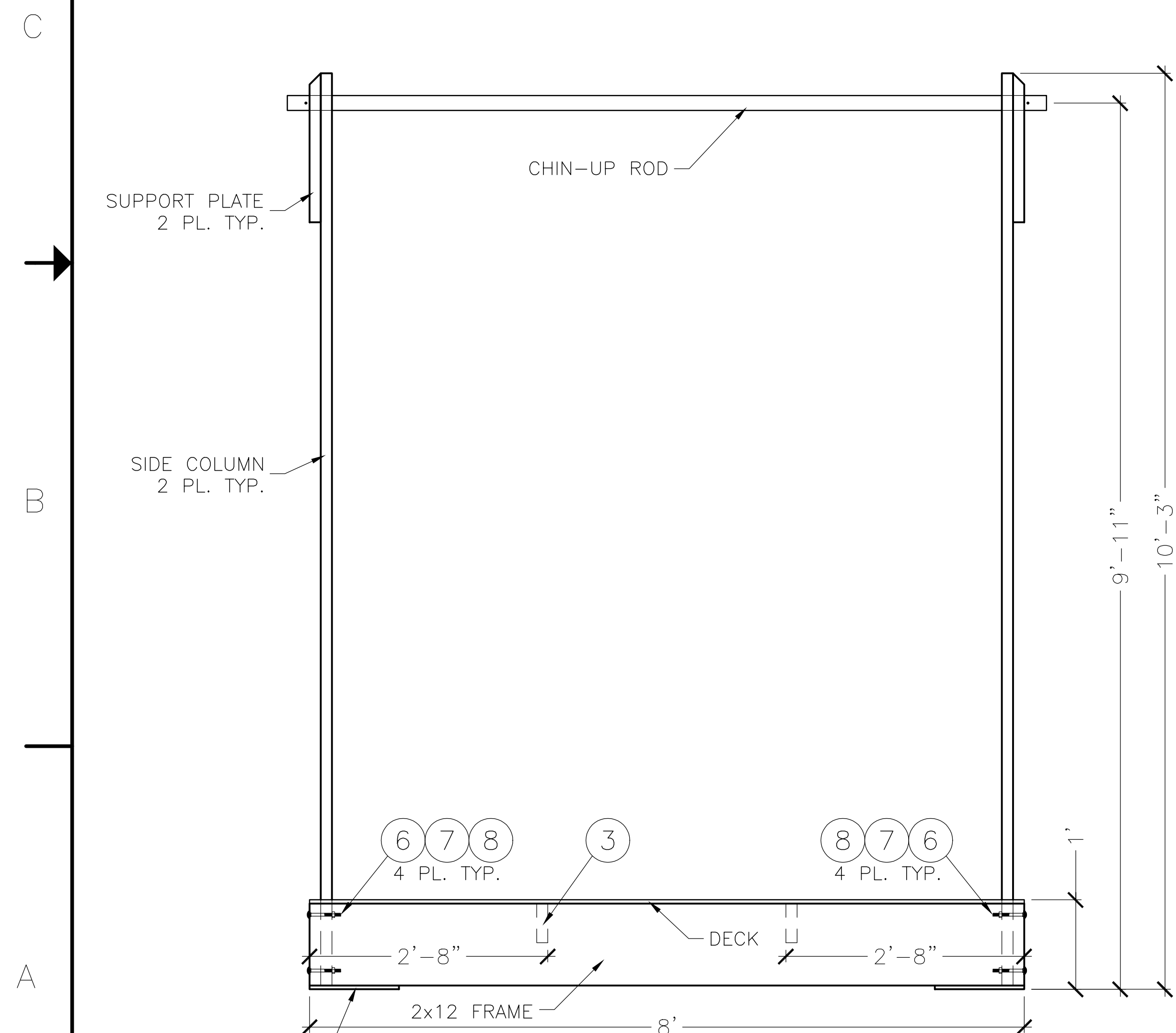
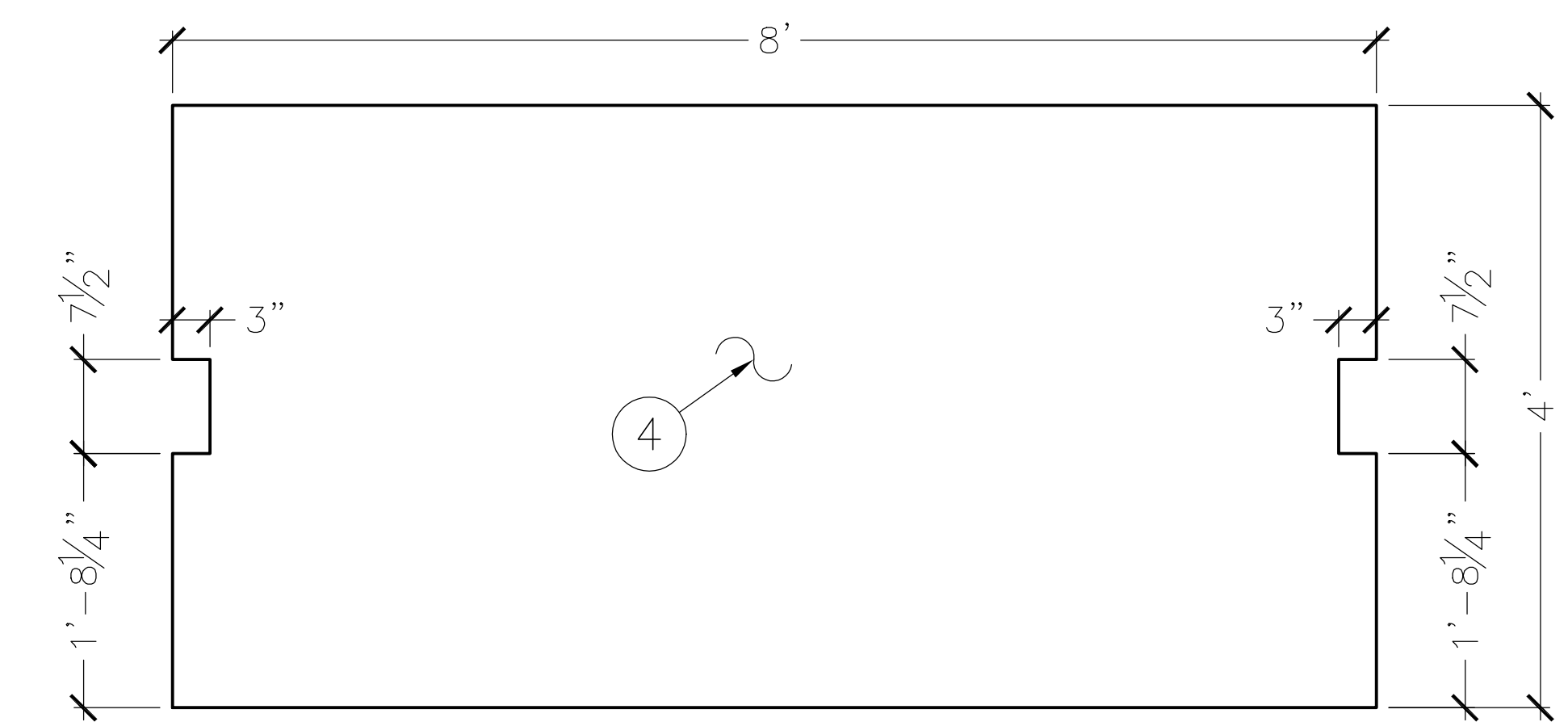
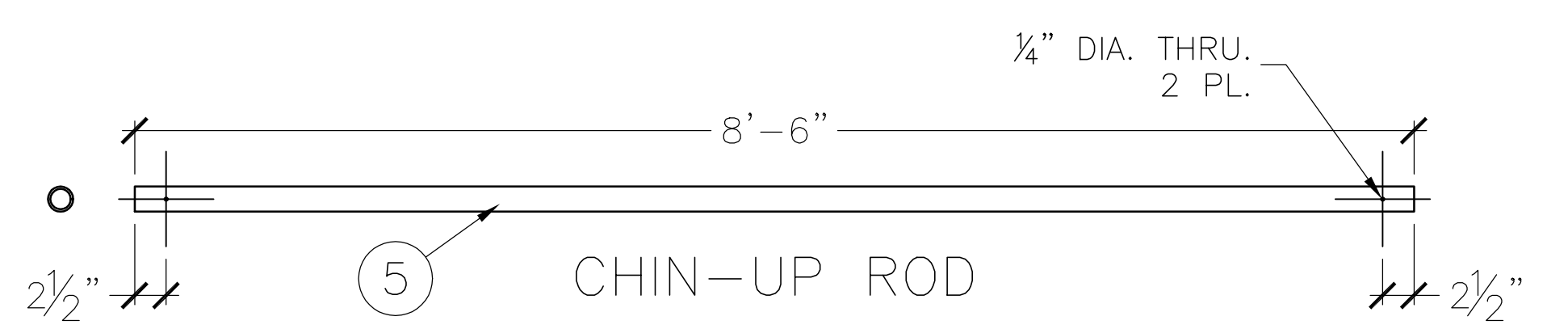
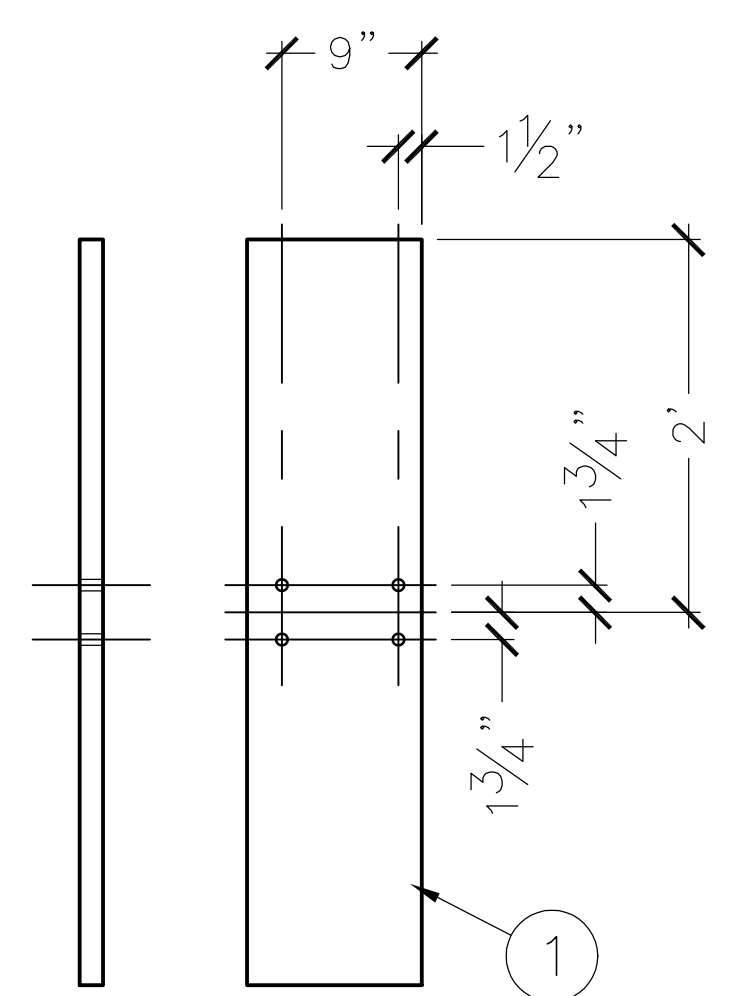
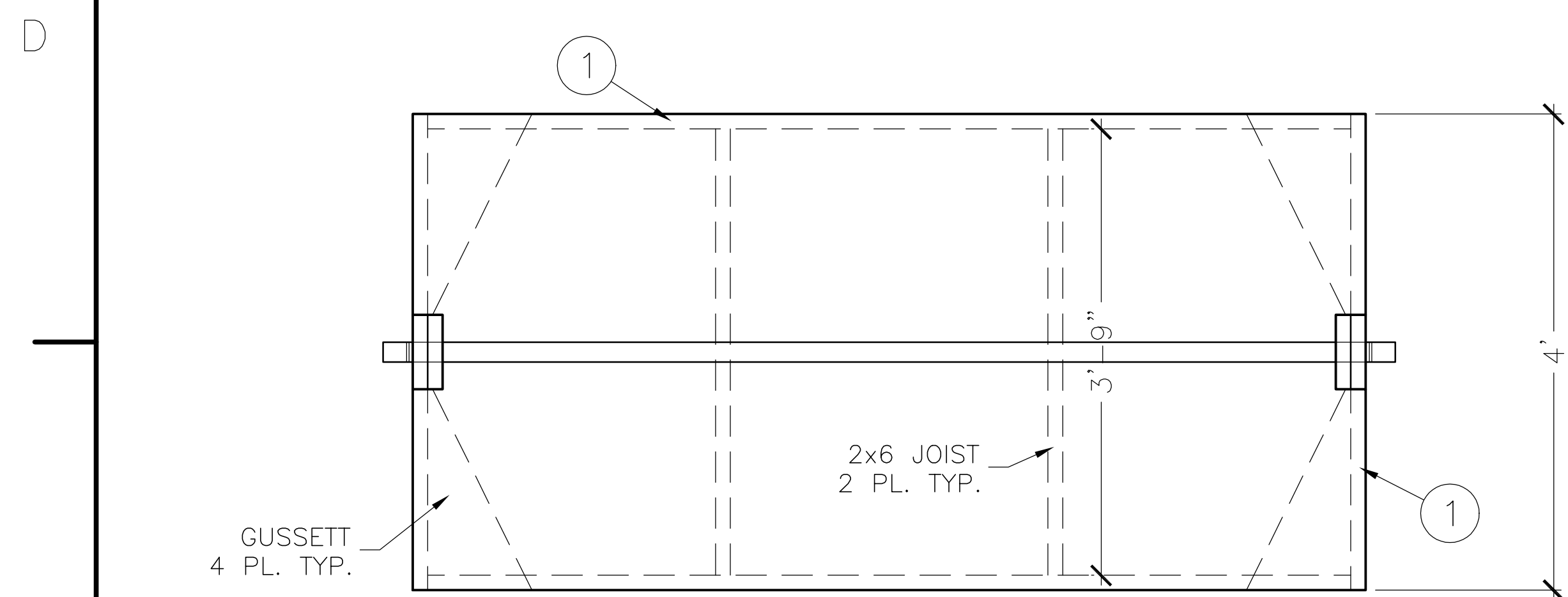


ITEM	QTY.	DESCRIPTION	LENGTH	REMARKS
1	3	2x12x8' SPF LUMBER		
2	2	2x8x12' SPF LUMBER		
3	1	2x6x8' SPF LUMBER		
4	2	4'x8'x1/2" PLYWOOD		
5	1	2"x10' STEEL PIPE		
6	8	3/8-16x4" CARRIAGE BOLT		
7	8	3/8-16 NYLOK NUT		
8	8	3/8 FLAT WASHER		1 1/2" LBS.
9	2	1/4-20x2 1/2" HEX HEAD BOLT		1 LBS
10	2	1/4-20 HEX NUT		



NOTE:  
THIS ASSEMBLY IS FOR  
SINGLE ROBOT TESTING ONLY.

**FIRST**  
200 Bedford Street, Manchester, N.H. 03101  
(603) 666-3906 • FAX (603) 666-3907

**2004 FIELD ELEMENTS  
CTR DECK W/ PULL-UP BAR**

ENGINEER	DATE	TITLE
DRAWN	DATE	
JRR	12/18/03	
CHECKED	DATE	
APPROVED	DATE	SIZE CLASS ID. DRAWING NO. REV.
ISSUED	DATE	D FAS SCALE NA SHEET 1 of 1